

knitking

magazine

july '75

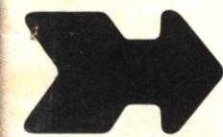




Titel
DK 103
DK 93
DK 92



DK 94





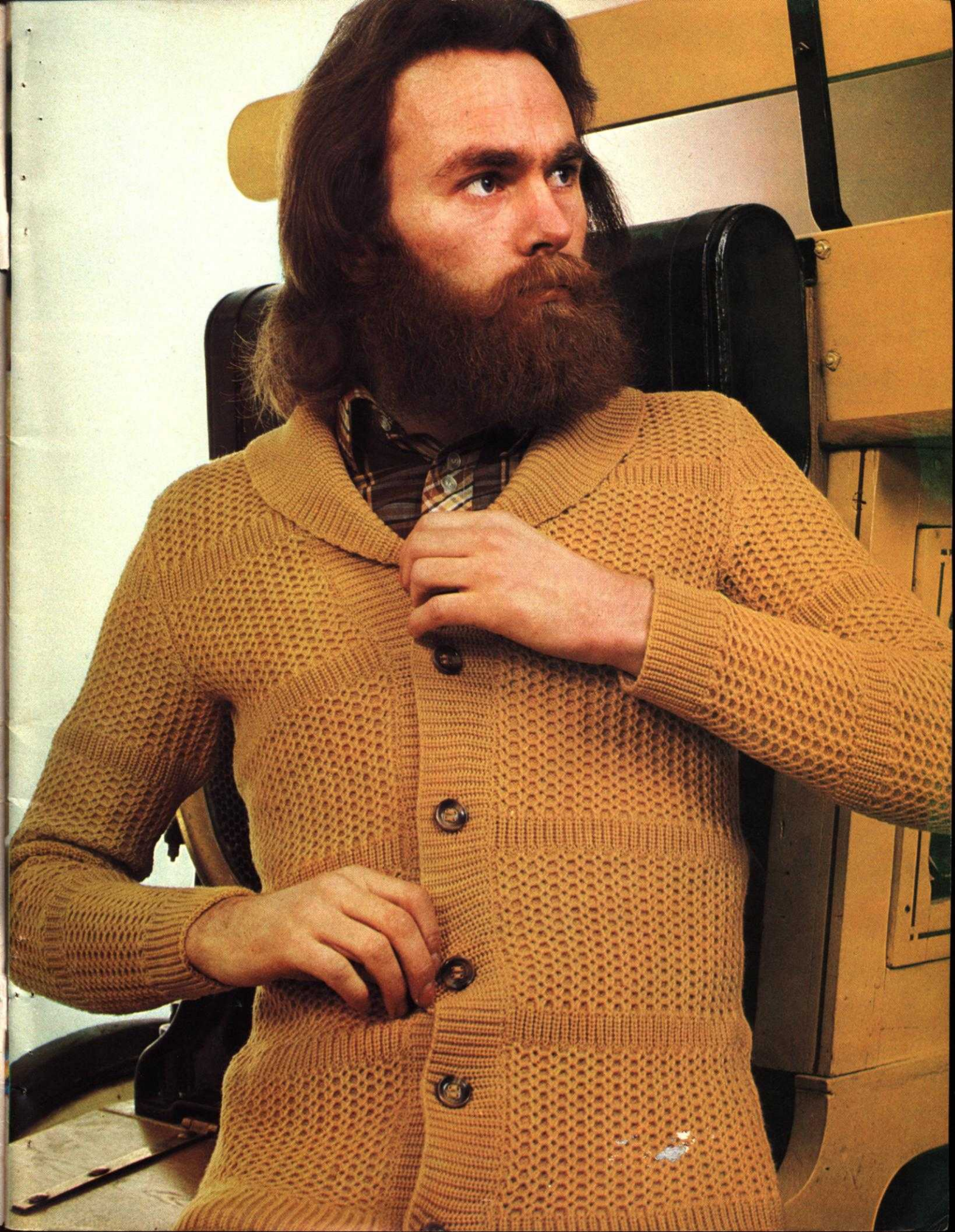
KK 115

KK 118



HP 112







DK 100

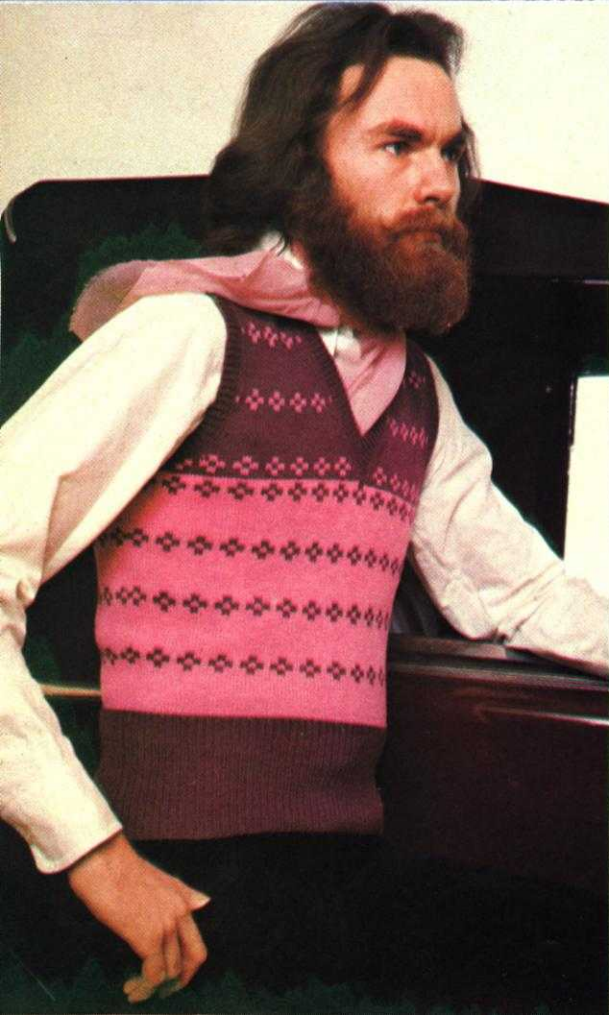


DK 101





HP 111
HP 108
HP 110



DK 107







KK 119

KK 116



DK 105



knitking

magazine

INDEX	Page No.
DK 91	Woman's Jacket, Skirt & Pullover . . . 14
DK 92	Woman's Skirt & Pullover 17
DK 93	Woman's Skirt & Pullover 19
DK 94	Woman's Sleeveless Pullover 20
DK 96	Woman's Pullover 21
DK 97	Woman's Jacket & Pullover 22
DK 98	Woman's Skirt & Pullover 24
DK 99	Woman's Skirt & Pullover 26
DK 100	Woman's Pullover 27
DK 101	Woman's Vest & Skirt 29
DK 103	Woman's Pants & Jacket 31
DK 104	Woman's Jacket & Pullover 34
DK 105	Woman's Dress 37
DK 106	Woman's Skirt & Jacket 39
DK 107	Woman's Jacket 41
HP 108	Man's Sleeveless Vest 43
HP 110	Man's Sleeveless Pullover 44
HP 111	Man's Sleeveless Pullover 45
HP 112	Man's Cardigan 46
KK 113	Child's Pullover 48
KK 115	Girl's Dress 49
KK 116	Child's Jumpsuit 50
KK 117	Girl's Dress 51
KK 118	Boy's Jacket 53
KK 119	Girl's Sleeveless Dress & Pullover . 54

Publisher: KNITKING CORPORATION, 1128 Crenshaw Blvd., Los Angeles, Calif. 90019. Telephone: (213) 938-2079. Published bi-monthly. Subscriptions: USA — \$10.00 annually, single copies \$3.00; Canada — \$12.00; other parts of the world — \$15.00. The entire contents of KNITKING MAGAZINE are copyright and must not be reproduced in any shape or form without the express permission, in writing of the publisher. © COPYRIGHT 1975 by KNITKING CORPORATION.

editorial

The center pages of this issue were printed in Southern California, the color pages were printed in West Germany... Our contract with the German printers was for six complete issues, but we refused to permit them to print the instruction section of this and the next issue... We do however have to accept the color pages for these two issues... then starting with a new Volume (the September/October issue), KNITKING MAGAZINE returns to the place of its birth - Sunny California - where we will once again produce a magazine full of brightness and sunshine... Every issue will be filled with good things to make, stylish clothes for the entire family plus gift items, KNITKING NEWS and a wealth of valuable Practical Hints.











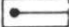


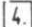

Although we were not directly responsible for the frustrating delays in getting the past few issues to you, we nevertheless feel the responsibility and are now aware that the only way we can avoid frustrations in the future is to regain and retain control... and that is exactly what we intend doing... We are in fact preparing the September/October issue now, and we know it will be outstanding... The issue prior to it (we will call it the August issue) is excellent and we expect to get it out to you before the end of August... This means that you will receive three magazines in approximately three months and that we will make up for lost time in a hurry.



The costs involved in producing a non-profit publication are very substantial and we cannot produce it without your subscriptions. All of the material in KNITKING MAGAZINE is original and copyrighted, we have the expenses of designers, knitters, draftsmen, photographers, lay-out artists, typesetters, printers etc. plus a full time staff at our premises in Los Angeles... everybody at KNITKING is involved in some way in the production of KNITKING MAGAZINE and we all intend to see that it is again recognized as the finest knitting machine publication in the world.


KNITKING Corporation subsidizes the production of KNITKING MAGAZINE and absorbs its losses, but it is your magazine, your subscription maintains it and insures that it continues to grow... During the next year we will only print sufficient copies to satisfy the needs of our subscribers... so please, when you receive a renewal notice, send your subscription in as fast as you can and be sure that you do not miss one issue of beautiful KNITKING MAGAZINE.....


Pattern Symbols

Knitting – Chart Symbols

- () Size Symbols
(2nd Size)
- < > 3rd Size
- B** Beginners Pattern
- T** Tension
- G** Gauge
- 1** Color Number
-  Cast on
-  Stitch
- R** Row
- H** Hem
-  Bind off
-  Stockinette stitch – worn on the Knit side.
-  Stockinette stitch – worn on the Purl side.
-  Knit 1, Purl 1 Ribbing
-  Ribbing Pattern – worn on the Knit side.
-  Ribbing Pattern – worn on the Purl side.
-  Closed Dart
-  Open Dart
-  Put on a stitch holder
-  Reverse 1 section
-  On every other needle
-  Number of Rows between Shapings. Make increase (or decrease) FIRST, then knit 4 rows. For example: 3 x 1  means decrease (or increase) 1 st., knit 4 rows; decrease 1 st., knit 4 rows; decrease 1 st., knit 4 rows; decrease 1 st., knit 4 rows. All decreasing (or increasing) without row numbers as shown must be shaped on every 2nd row.


-  Increase
-  Increase 2 sts. With a transfer tool, move the sts. over the left (or right) leaving 2 empty needles on each side of increase. At the increase point, move 1 st. to the left, (or right) so that there is an empty needles on each side of a stitch. On each side of the center stitch, pick up a stitch from the row below and hang it onto the empty needle.

-  3 stitches on 1 needle. The 1st and 3rd stitch in a group of 3 has been hung on the 2nd or center needle.

-  Short Row increase or decrease; for instance on a flared skirt knitted sideways.

-  Pattern Stitch
-  Pattern Stitch – worn on the Knit side.

-  Pattern Stitch – worn on the Purl side.





-  Norwegian Design using the Pattern Reader. Only 1 row must be registered on the Pattern Reader, so when knitting two or more colors in 1 row, knit the first color with the LEVER of Pattern Reader UP (working), then push the LEVER DOWN (non-working) for the additional colors.

REPEAT the above for each complete row.







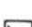










-  Repeat

- I = Front
II = Back
III = Sleeve
IV = Skirt Front
V = Skirt Back
VI = Collar
VII = Pocket
VIII = Band
IX = Belt
X = Cuff
XI = Pants Front
XII = Pants Back

Finishing – Chart Symbols

-  Match numbers on section for assembling.
-  Ease
-  Fold Line
-  Turn to the wrong side and hem.

Stitch Symbols

-  Knit Stitch
-  Purl Stitch
-  Needles in holding position
-  Needles back into working position.
-  Empty needle (leave in working position)
-  Needle not used (in the out of work position).
-  Two stitches on 1 needle, either transferred from the right side or the left side, then put into holding position.
-  Needle holding 2 stitches. Stitch has been transferred from the RIGHT.
-  Needle holding 2 stitches. Stitch has been transferred from the LEFT.
-  Center of garment section
-  Pattern Reader
-  Pattern Reader
-  Pattern Reader
-  JAC 40
-  JAC 40
-  Adjustable Needle Selector
-  Pattern Wheel
-  Weaver
-  Needle Shifter



knitking accessory price list

	PRICE	SHIPPING		PRICE	SHIPPING
WHIZ KING PATTERN READER	\$69.50	\$2.50	Reversing Bar (197 Needle KNIT-		
3-Color Yarn Feeder	24.50	1.50	KING Machine only	\$34.95	\$1.75
Pattern Stitch Cards for AM 3			Converta Tape (for Charting Pat-		
KNITKING Machine only -			terns to size)	9.50	.60
#17 to #48	10.50	1.25	Fluorescent Magnifying Lamp with		
Weaving Accessory for AM 3			5 inch lens and adjustable 45		
KNITKING only	8.95	.80	inch extension arm (specify		
Adjustable Needle Selector			table clamp or wall Fitting)	69.50	3.00
(33 Needle)	4.25	.60	JAC 40 (KNITKING Machine only)	32.50	1.50
Cam Wheels for AM 3 KNITKING			JAC 40 Punch Cards. Please give		
Machine only	1.75	.10	alternate numbers	1.25	.15
Knitting Table (suitable for all			Strap for JAC 40	2.00	.30
machines)	39.50	F.O.B.	KNITKING Instruction Book		
KNITKING Metal Table	39.50	F.O.B.	(specify machine)	4.00	.50
Treble Transfer Tool (pair)	3.50	.50	1 Year Subscription to KNITKING		
Multiple Transfer Tool (33 needle)	4.25	.60	MAGAZINE (6 issues)	10.00	(no tax)
Double Transfer Tool (pair)	2.50	.50	Canada	12.00	
Transfer Tools (1 each - 4 needle			Back Issues of KNITKING MAGAZINE		
and 6 needle)	3.25	.50	SINGLE COPY (thru Vol. 10)Ea.	1.50	Postpaid
Combined Latch Needle & Transfer			After Vol. 11 No. 1	3.00	Postpaid
Tool	1.50	.25	Complete 6th or 7th or 9th		
Combined Work Hook & Transfer			or 10th Bound Volume of		
Tool	1.50	.25	KNITKING MAGAZINE (6		
Knitting Machine Needles for			issues bound in Plastic Cover)Ea.	7.95	1.15
KNITKING Machines only	.65	.10	KNITKING Yarn Catalogue	1.00	Postpaid
Ribbing Attachment Needles for					
KNITKING Ribbers only	.65	.10			
Ribber Transfer Needles	.45	.10			
Strippers for KNITKING Ribber(pr)	.95	.25			
KNITKING Sinkers & Spring (specify					
Machine No.)	.20	.15			
Shipping for 20		.35			
Yarn Winder with 'Waxamajig' and					
Skein Holder	27.50	1.75			
Wax Spools	.30	.20			
OR 4 for	1.00	.40			

Sorry, No C.O.D's or Billings, Please send money with your order. California Residents please add Sales Tax.

Price Lists prior to this date are obsolete.

KNITKING, INC.

1128 Crenshaw Blvd., Los Angeles, California 90019



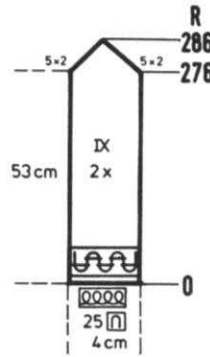
DK 91 **B**

DK 91
WOMAN'S JACKET, SKIRT & PULLOVER

SIZE: 12/14 (16/18) [20/22]
YARN: Nicole
GRAMS: 1100 1150 1200
TENSION: 5 to 7
GAUGE: 15 sts. 24 rows = 5cm (2")

Stockinette stitch, with bands in K1, P1 Ribbing. The knit side is the right side.

FINISHING: See General Instructions. Sew straight ends of belt sections together.



BELT: IX Make 2.

Cast on 25 sts. and work K1, P1 Ribbing. Knit to Row 276. ON EACH SIDE, bind off 2 sts. 5x. After Row 286, bind off the remaining sts.

JACKET BACK: II

Cast on 148 (160) [178] sts. and knit 20 rows K1, P1 Ribbing. Change to Stockinette stitch and knit to Row 54. ON EACH SIDE, decrease 1 st. every 8th row 11x. Knit to Row 156. ON EACH SIDE, increase 1 st. every 14th row 3x, every 12th row 3x. Knit to Row 234.

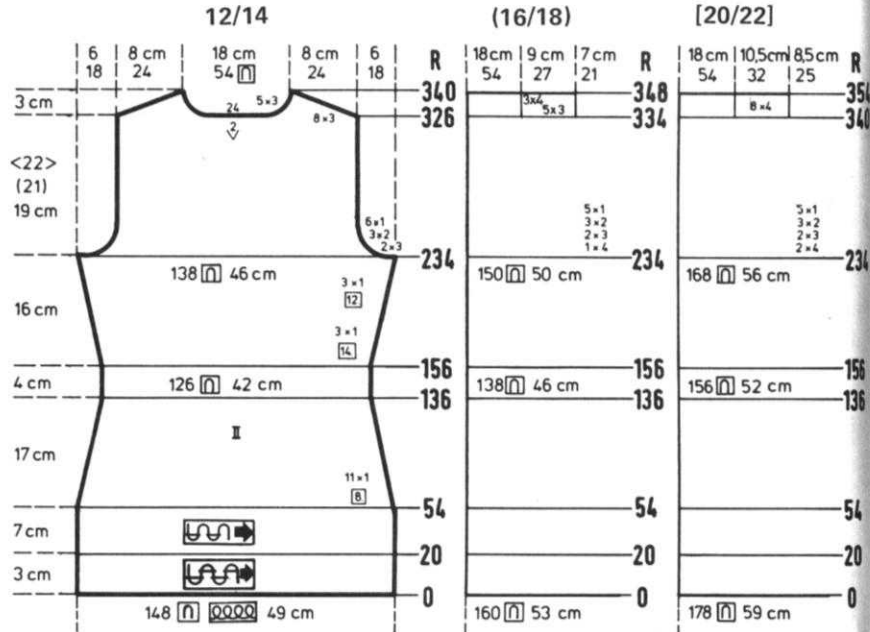
SHAPE ARMHOLE: ON EACH SIDE bind off 3 sts. 2x, 2 sts. 3x, 1 st. 6x. (4 sts. 1x, 3 sts. 2x, 2 sts. 3x, 1 st. 5x).

[4 sts. 2x, 3 sts. 2x, 2 sts. 3x, 1 st. 5x].

Knit to Row 326 (334) [340]. Bind off the center 24 sts., put the needles on the left side into holding position and complete the right half first.

*SHAPE SHOULDER AND NECK AT THE SAME TIME. ON SHOULDER SIDE, bind off 3 sts. 8x (3 sts. 5x, 4 sts. 3x) [4 sts. 8x] and ON NECK SIDE, bind off 3 sts. 5x for all sizes.

Bring the Cam Box to the left side, turn the Row Counter back to 326, 334, 340 and complete the left half. Follow the instructions from *.



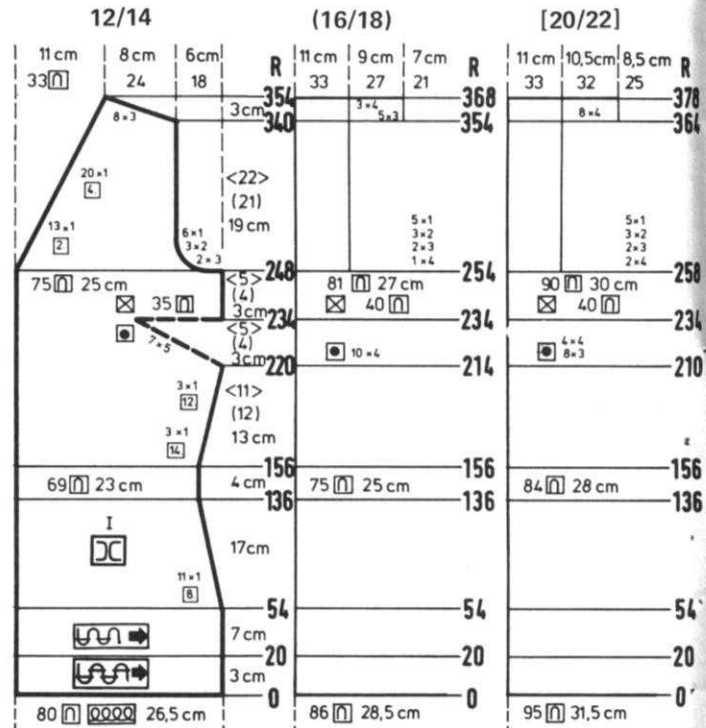
JACKET FRONT: I Make 1, reverse 1.

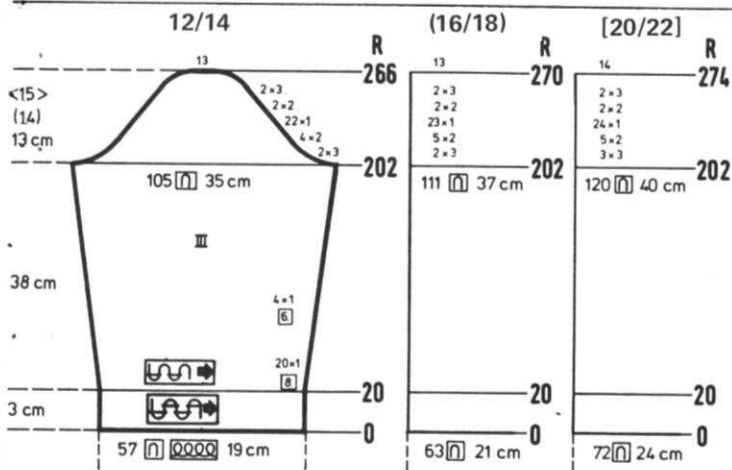
Cast on 80 (86) [95] sts. and work 20 rows K1, P1 Ribbing. Change to Stockinette stitch and knit to Row 54. ON SIDE EDGE, decrease 1 st. every 8th row 11x. Knit to Row 156. ON SIDE EDGE, increase 1 st. every 14th row 3x, every 12th row 3x and SHAPE BUST DART after Row 221 (215) [211]. ON OPPOSITE SIDE OF CAM BOX, put into holding position 5 sts. 7x (4 sts. 10x) [3 sts. 8x, 4 sts. 4x]. Bring all the needles back into working position before knitting the next row. Knit to Row 248 (254) [258].

SHAPE FRONT AND ARMHOLE AT THE SAME TIME. ON NECK SIDE for all sizes, decrease 1 st. every 2nd row 13x, every 4th row 20x. FOR ARMHOLE, bind off 3 sts. 2x, 2 sts. 3x, 1 st. 6x. (4 sts. 1x, 3 sts. 2x, 2 sts. 3x, 1 st. 5x).

[4 sts. 2x, 3 sts. 2x, 2 sts. 3x, 1 st. 5x].

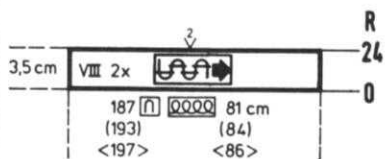
SHAPE SHOULDER after Row 340 (354) [364]; bind off 3 sts. 8x (3 sts. 5x, 4 sts. 3x) [4 sts. 8x].





SLEEVE: III

Cast on 57 (63) [72] sts. and work 20 rows K1, P1 Ribbing. Change to Stockinette stitch and ON EACH SIDE, increase 1 st. every 8th row 20x, every 6th row 4x. Knit to Row 202. SHAPE CAP: ON EACH SIDE, bind off 3 sts. 2x, 2 sts. 4x, 1 st. 22x, 2 sts. 2x, 3 sts. 2x. (3 sts. 2x, 2 sts. 5x, 1 st. 23x, 2 sts. 2x, 3 sts. 2x). [3 sts. 3x, 2 sts. 5x, 1 st. 24x, 2 sts. 2x, 3 sts. 2x]. After Row 266 (270) [274], bind off the remaining 13 (13) [14] sts.

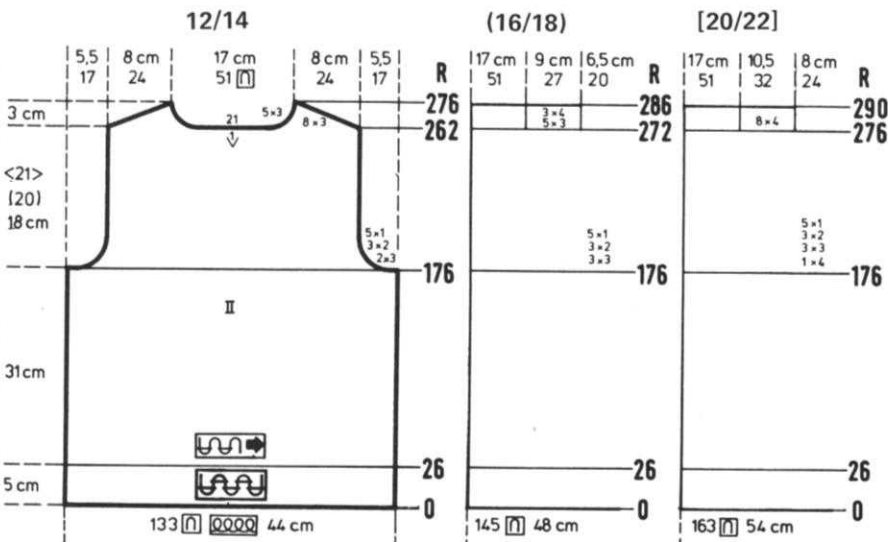


BAND: VIII Make 2.

Cast on 187 (193) [197] sts. and work 24 rows K1, P1 Ribbing, then bind off all sts. the crochet method for Ribbing.

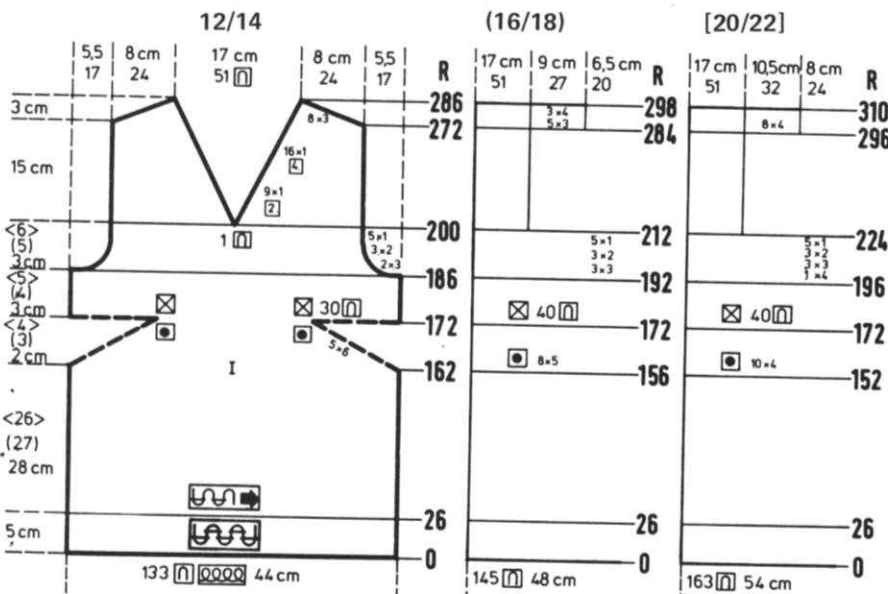
PULLOVER BACK: II

Cast on 133 (145) [163] sts. and work 26 rows K1, P1 Ribbing. Change to Stockinette stitch. Knit to Row 176. SHAPE ARMHOLE: ON EACH SIDE, bind off 3 sts. 2x, 2 sts. 3x, 1 st. 5x. (3 sts. 3x, 2 sts. 3x, 1 st. 5x). [4 sts. 1x, 3 sts. 3x, 2 sts. 3x, 1 st. 5x]. Knit to Row 262 (272) [276]. Bind off the center 21 sts., put the needles on the left into holding position and complete the right half first. *SHAPE SHOULDER AND NECK AT THE SAME TIME. For Shoulder, bind off 3 sts. 8x. (3 sts. 5x, 4 sts. 3x). [4 sts. 8x]. AND ON NECK SIDE for all sizes, bind off 3 sts. 5x. Bring the Cam Box to the left side, turn the Row Counter back to 262 (272) [276] and complete the left half. Follow the instructions from *.



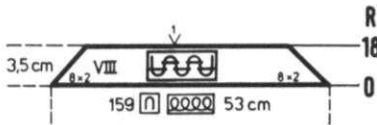
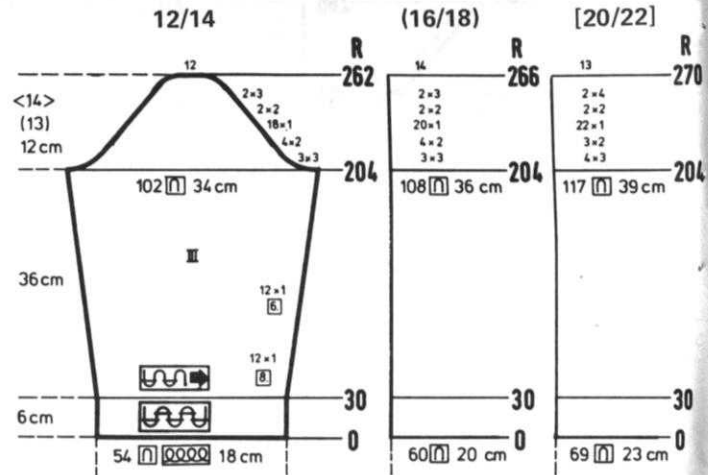
PULLOVER FRONT: I

Cast on 133 (145) [163] sts. and work 26 rows K1, P1 Ribbing. Change to Stockinette stitch. Knit to Row 162 (156) [152] then work Short Rows for the BUST DARTS. ON OPPOSITE SIDE OF CAM BOX, put into holding position 6 sts. 5x ON EACH SIDE. (5 sts. 8x ON EACH SIDE). [4 sts. 10x ON EACH SIDE]. ON OPPOSITE SIDE OF CAM BOX, bring all the needles back into working position before knitting the next 2 rows. Knit to Row 186 (192) [196]. SHAPE ARMHOLE: ON EACH SIDE, bind off 3 sts. 2x, 2 sts. 3x, 1 st. 5x. (3 sts. 3x, 2 sts. 3x, 1 st. 5x) [4 sts. 1x, 3 sts. 3x, 2 sts. 3x, 1 st. 5x]. After Row 200 (212) [224], divide in the center, put the needles on the left side into holding position and complete the right half first. *ON NECK SIDE, decrease 1 st. every 2nd row 9x, every 4th row 16x and SHAPE SHOULDER after Row 272 (284) [296] by binding off 3 sts. 8x (3 sts. 5x, 4 sts. 3x). [4 sts. 8x]. Move the Cam Box to the left side, turn the Row Counter back to 200 (212) [224] and complete the left half. Follow the instructions from *.



PULLOVER SLEEVE: III

Cast on 54 (60) [69] sts. and work 30 rows K1, P1 Ribbing. Change to Stockinette stitch. ON EACH SIDE, increase 1 st. every 8th row 12x, every 6th row 12x. Knit to Row 204. SHAPE CAP: ON EACH SIDE, bind off 3 sts. 3x, 2 sts. 4x, 1 st. 18x, 2 sts. 2x, 3 sts. 2x. (3 sts. 3x, 2 sts. 4x, 1 st. 20x, 2 sts. 2x, 3 sts. 2x). [3 sts. 4x, 2 sts. 3x, 1 st. 22x, 2 sts. 2x, 4 sts. 2x]. After Row 262 (266) [270], bind off the remaining 12 (14) [13] sts.

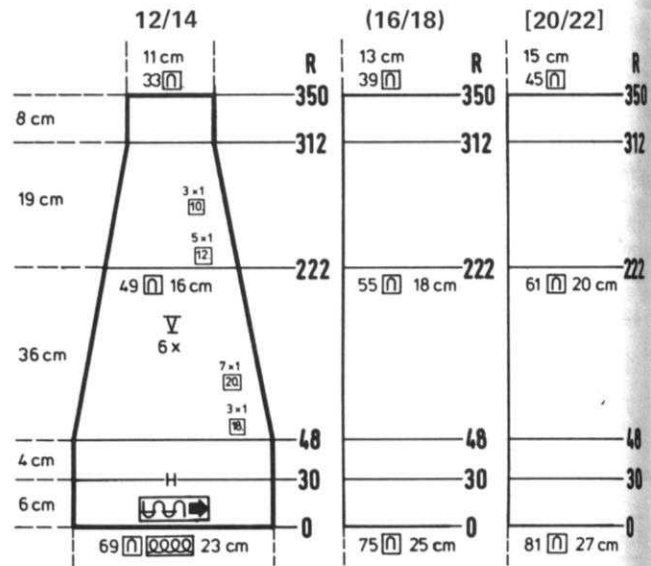


NECKBAND: VIII

Cast on 159 sts. and work K1, P1 Ribbing. ON EACH SIDE, decrease 2 sts. 8x. After Row 18, bind off the remaining sts. the crochet method for Ribbing.

SKIRT: V Make 6

Cast on 69 (75) [81] sts. and work Stockinette stitch. Knit to Row 48. ON EACH SIDE, decrease 1 st. every 18th row 3x, every 20th row 7x. After Row 222, ON EACH SIDE, decrease 1 st. every 12th row 5x, every 10th row 3x. Knit to Row 350, bind off the remaining 33 (39) [45] sts.



knitkng carrying bags

Completely new design in heavy duty canvas with waterproof interior. For AM 3 Knitter and Yarn Container.

List Price: \$29.50

For Ribber only: \$17.50

(California residents add Sales Tax)

Shipping Costs: \$1.75 and \$1.00



DK 92 **B**

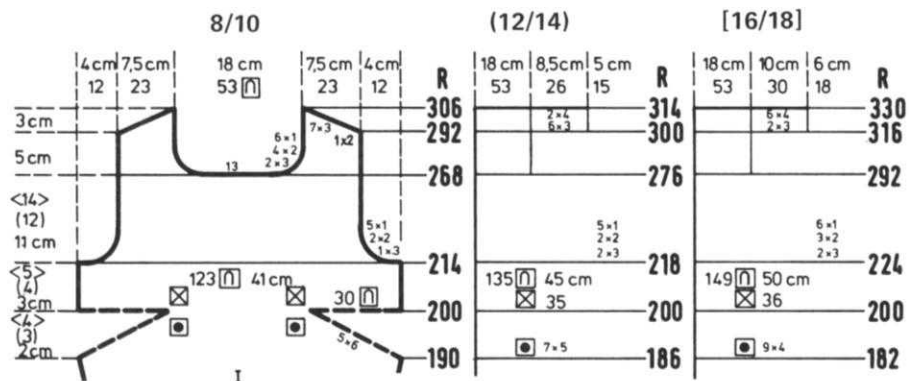
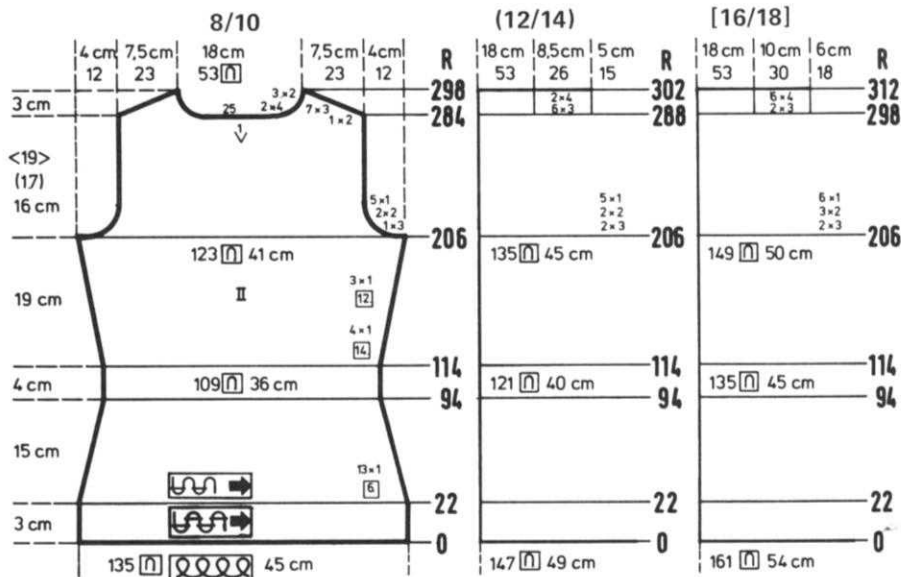
DK 92

WOMAN'S SKIRT & PULLOVER

SIZE: 8/10 (12/14) [16/18]
 YARN: Nicole
 GRAMS: 650 700 750
 TENSION: 5 to 7
 GAUGE: 15 sts. 24 rows = 5 cm (2")

Pullover: Stockinette stitch with bands in K1, P1 Ribbing. Skirt: Knitted sideways on the machine using Short Rows. Worn on the knit side.

FINISHING: See General Instructions. Skirt: Weave the open stitches of the skirt together. Hem top, insert elastic in hem at waistline.



FRONT: I

Work the front section the same as the back to Row 190 (186) [182], then work Short Rows for the BUST DARTS. ON OPPOSITE SIDE OF CAM BOX, put into holding position 6 sts. 5x ON EACH SIDE. (5 sts. 7x ON EACH SIDE). [4 sts. 9x ON EACH SIDE]. ON OPPOSITE SIDE OF CAM BOX, bring all the needles back into working position before knitting the next 2 rows. Knit to Row 214 (218) [224]. SHAPE ARMHOLE: ON EACH SIDE, bind off 3 sts. 1x, 2 sts. 2x, 1 st. 5x. (3 sts. 2x, 2 sts. 2x, 1 st. 5x). [3 sts. 2x, 2 sts. 3x, 1 st. 6x].

Knit to Row 268 (276) [292]. Bind off the center 13 sts., put the needles on the left side into holding position and complete the right half first. *ON NECK SIDE, bind off 3 sts. 2x, 2 sts. 4x, 1 st. 6x and SHAPE SHOULDER after Row 292 (300) [316] by binding off 2 sts. 1x, 3 sts. 7x. (3 sts. 6x, 4 sts. 2x). [3 sts. 2x, 4 sts. 6x]. Bring the Cam Box to the left side, turn the Row Counter back to 268 (276) [292] and complete the left half. Follow the instructions from *.

BACK: II

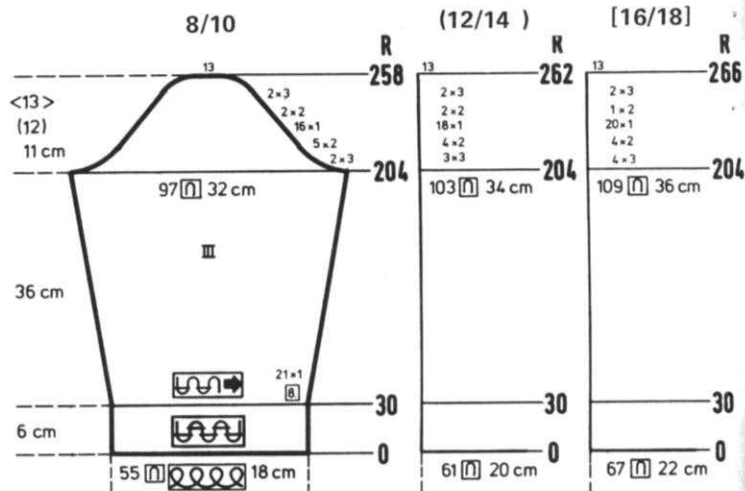
Cast on 135 (147) [161] sts. and work 22 rows K1, P1 Ribbing. Change to Stockinette stitch. ON EACH SIDE, decrease 1 st. every 6th row 13x. Knit to Row 114. ON EACH SIDE, increase 1 st. every 14th row 4x, every 12th row 3x. Knit to Row 206. SHAPE ARMHOLE: ON EACH SIDE, bind off 3 sts. 1x, 2 sts. 2x, 1 st. 5x. (3 sts. 2x, 2 sts. 2x, 1 st. 5x). [3 sts. 2x, 2 sts. 3x, 1 st. 6x]. Knit to Row 284 (288) [298]. Bind off the center 25 sts., put the needles on the left side into holding position and complete the right half first. *SHAPE NECK AND SHOULDER AT THE SAME TIME. FOR SHOULDER, bind off 2 sts. 1x, 3 sts. 7x. (3 sts. 6x, 4 sts. 2x). [3 sts. 2x, 4 sts. 6x]. ON NECK SIDE, bind off for all sizes, 4 sts. 2x, 2 sts. 3x. Move the Cam Box to the left side, turn the Row Counter back to 284 (288) [298] and complete the left half. Follow the instructions from *.

Continued

SLEEVE: III

Cast on 55 (61) [67] sts. and work 30 rows K1, P1 Ribbing. Change to Stockinette stitch. ON EACH SIDE, increase 1 st. every 8th row 21x. Knit to Row 204.

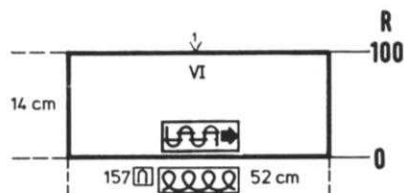
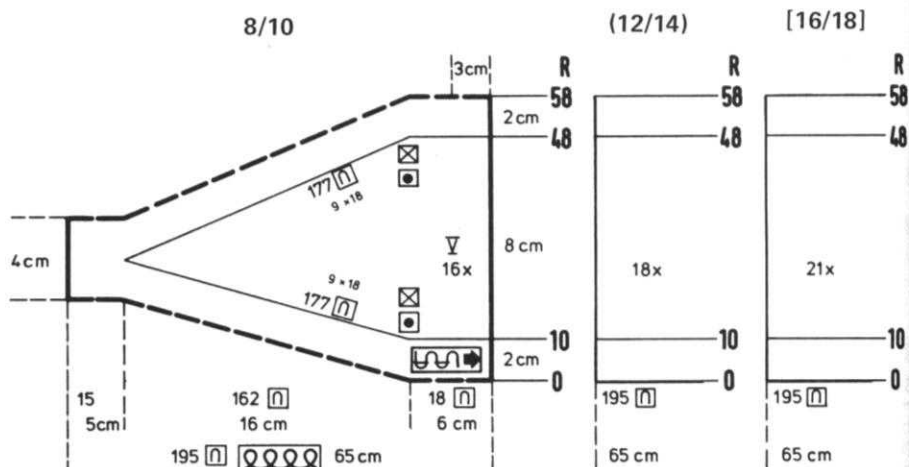
SHAPE CAP: ON EACH SIDE, bind off 3 sts. 2x, 2 sts. 5x, 1 st. 16x, 2 sts. 2x, 3 sts. 2x.
(3 sts. 3x, 2 sts. 4x, 1 st. 18x, 2 sts. 2x, 3 sts. 2x).
[3 sts. 4x, 2 sts. 4x, 1 st. 20x, 2 sts. 1x, 3 sts. 2x].
After Row 258 (262) [266], bind off the remaining 13 sts.



SKIRT: V

With contrast waste yarn, cast on 195 sts. Knit 8 to 10 rows, then change to garment yarn and put Counter at 0.

*Knit 10 rows, then work Short Rows (be sure to wrap the yarn). ON OPPOSITE SIDE OF CAM BOX, put into holding position 177 sts., knit 2 rows over the 18 sts. in work. ON OPPOSITE SIDE OF CAM BOX, bring back into working position, 18 sts. 9x (15 sts. remain in holding position). ON OPPOSITE SIDE OF CAM BOX, put into holding position 18 sts. 9x. After Row 48, bring all the needles back into working position and knit 10 rows. REPEAT from * 15x (17x) [20x] more then knit 8 to 10 rows using contrast waste yarn and remove the work from the machine.



COLLAR: VI

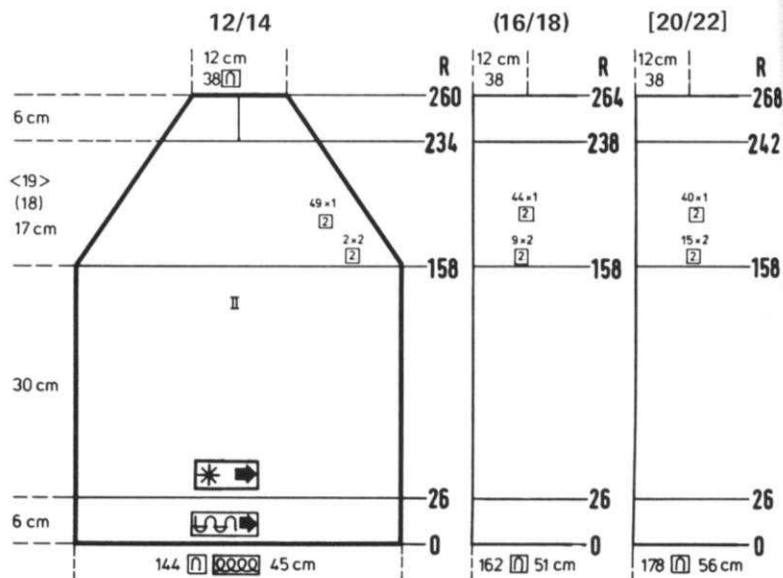
Cast on 157 sts. and work 100 rows K1, P1 Ribbing, then bind off the crochet method for Ribbing.

DK 93

BACK: II

Cast on 144 (162) [178] sts. and work 26 rows Stockinette stitch then transfer for Pattern and knit to Row 158.

SHAPE RAGLAN: ON EACH SIDE, decrease 2 sts. every 2nd row 2x (9x) [15x], then 1 st. every 2nd row 49x (44x) [40x] AND AT THE SAME TIME, after Row 234 (238) [242], divide in the center, put the needles on the left side into holding position and complete the right half first. After Row 260 (264) [268], bind off the remaining sts. Bring the needles on the left into working position, knit 1 row to the left side, turn the Row Counter back to 234 (238) [242] and complete the left half.



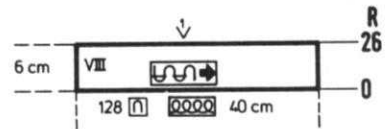
DK 93

DK 93
WOMAN'S SKIRT & PULLOVER

SIZE: 12/14 (16/18) [20/22]
YARN: Beatrice
GRAMS: 650 700 750
TENSION: 4 to 6
GAUGE: 16 sts. 22 rows = 5 cm (2")

Skirt: Stockinette stitch. Pullover: Stockinette stitch with out of work needles that are counted in the gauge. SET UP THE NEEDLES AS FOLLOWS: *13 needles in work, 1 needle out of work, 5 needles in work 1 needle out of work and REPEAT from *. The knit side is the right side.

FINISHING: See General Instructions. Work Criss-cross embroidery over the 7 needle Pattern set up using 5 strands of yarn. See Practical Knitting Hints this issue).

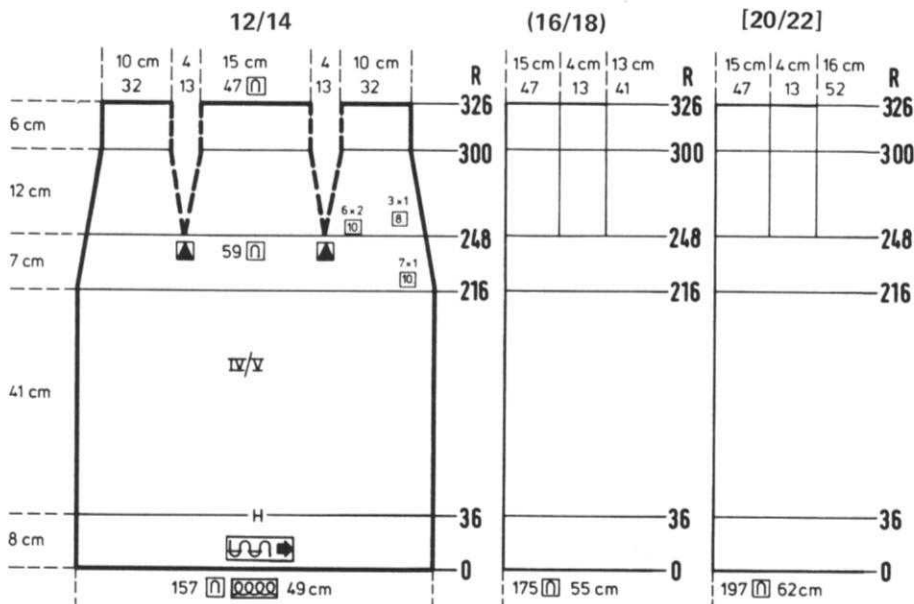
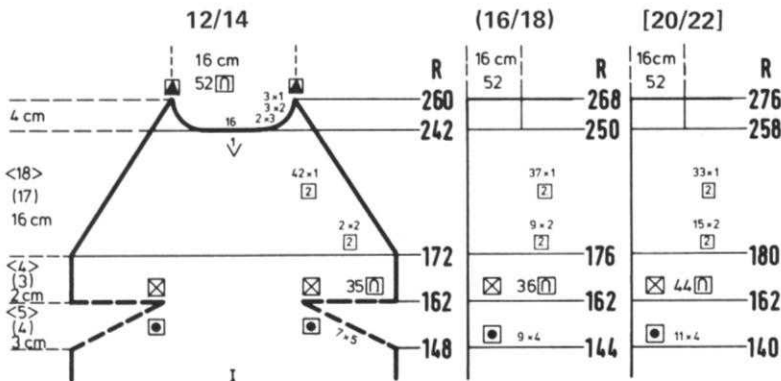


NECKBAND: VIII

Cast on 128 sts. and work 26 rows Stockinette stitch, then bind off.

FRONT: I

Work the front section the same as the back to Row 148 (144) [140] then work Short Rows for the BUST DARTS. ON OPPOSITE SIDE OF CAM BOX, put into holding position 5 sts. 7x ON EACH SIDE. (4 sts. 9x ON EACH SIDE). [4 sts. 11x ON EACH SIDE]. ON OPPOSITE SIDE OF CAM BOX, bring all the needles back into working position before knitting the next 2 rows then knit to Row 172 (176) [180]. SHAPE RAGLAN: ON EACH SIDE, decrease 2 sts. every 2nd row 2x (9x) [15x] then 1 st. every 2nd row 42x (37x) [33x] and AT THE SAME TIME, after Row 242 (250) [258], bind off the center 16 sts., put the needles on the left into holding position and complete the right half first. ON NECK SIDE bind off 3 sts. 2x, 2 sts. 3x, 1 st. 3x. Hang the remaining 3 sts. together and bind off. Bring the needles on the left into working position, knit 1 row to the left side, turn the Row Counter back to 242 (250) [258] and complete the left half.



SKIRT: IV/V Make 2 sections.

Cast on 157 (175) [197] sts. and work Stockinette stitch. Knit to Row 36, hang the hem then knit to Row 216. ON EACH SIDE, decrease 1 st. every 10th row 7x, every 8th row 3x, AND AT THE SAME TIME, after Row 248, begin the DARTS ON EACH SIDE by hanging the 43rd and 45th sts. ON EACH SIDE onto the 44th st. then move the sts. in to fill the empty needles. REPEAT the DART decreases directly above, every 10th row 5x more. Knit to Row 326, then bind off all sts.

Continued

DK 93

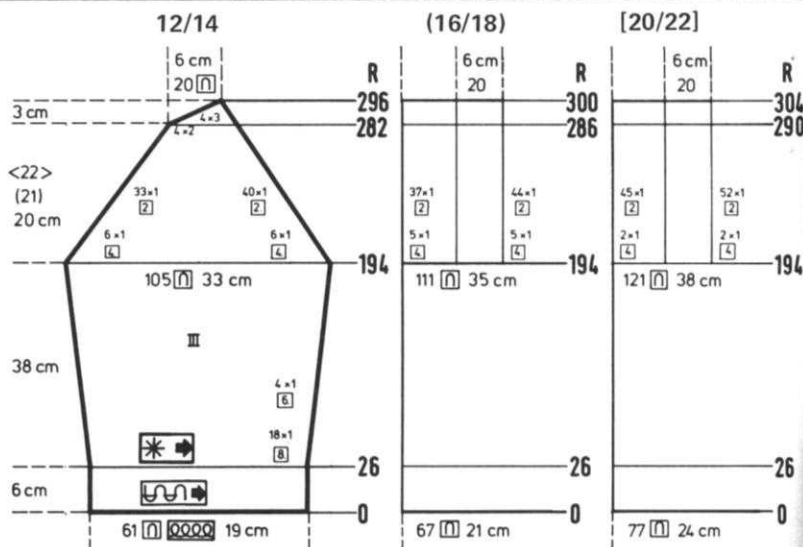
Continued

SLEEVE: III

Cast on 61 (67) [77] sts. and work 26 rows Stockinette stitch then transfer for Pattern.

ON EACH SIDE, increase 1 st. every 8th row 18x, every 6th row 4x. Knit to Row 194.

SHAPE RAGLAN: ON EACH SIDE, decrease 1 st. every 4th row 6x (5x) [2x]. ON THE BACK SIDE OF SLEEVE, decrease 1 st. every 2nd row 40x (44x) [52x] and ON THE FRONT SIDE, decrease 1 st. every 2nd row 33x (37x) [45x] AND AT THE SAME TIME, after Row 282 (286) [290] work Short Rows. ON OPPOSITE SIDE OF CAM BOX, put into holding position 3 sts. 4x. After Row 296 (300) [304] bring all the needles into work then bind off all sts. Work the 2nd sleeve with reverse shaping.



DK 94 B

WOMAN'S SLEEVELESS PULLOVER

SIZE: 10/12 (14/16) [18/20]

YARN: Geisha

GRAMS:

Color 1 50 100 100
Color 2 50 100 100
Color 3 50 100 100

TENSION: 8 to 10

GAUGE: 12 sts. 17 rows = 5 cm (2")

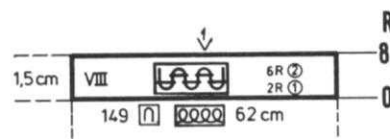
Stockinette stitch with repeated color stripes as shown on the Chart. The bands are 1 x 1 Ribbing. The Purl side is the right side.

FINISHING: See General Instructions.



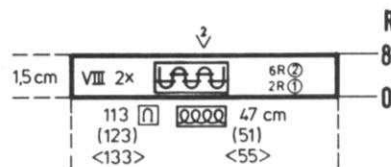
ARMBANDS: VIII Make 2.

Cast on 113 (123) [133] sts. with color 1 and work 8 rows K1, P1 Ribbing with color stripes as shown on the Chart, then bind off all sts. the crochet method for Ribbing.



NECKBAND: VIII

Cast on 149 sts. with color 1 and work 8 rows K1, P1 Ribbing with color stripes as shown on the Chart, then bind off all sts. the crochet method for Ribbing.



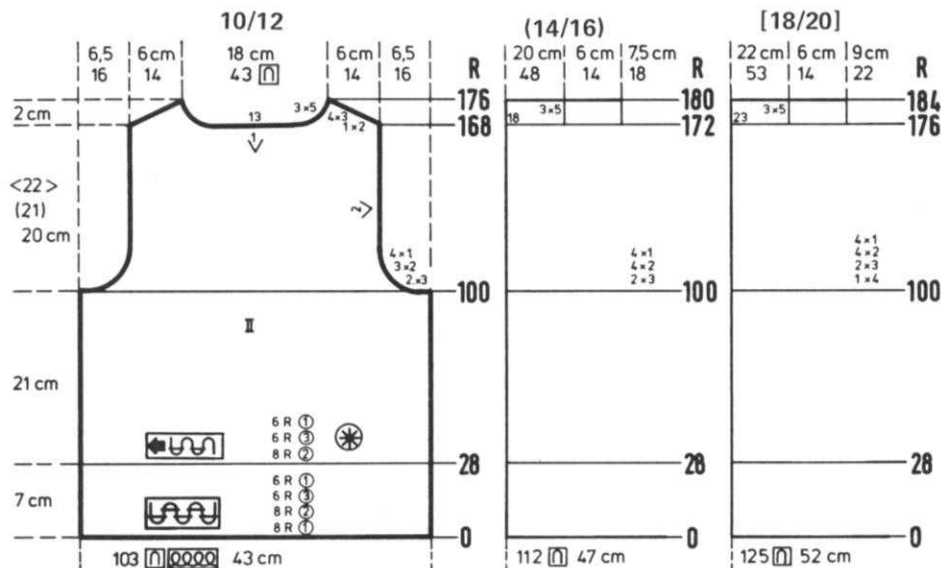
BACK: II

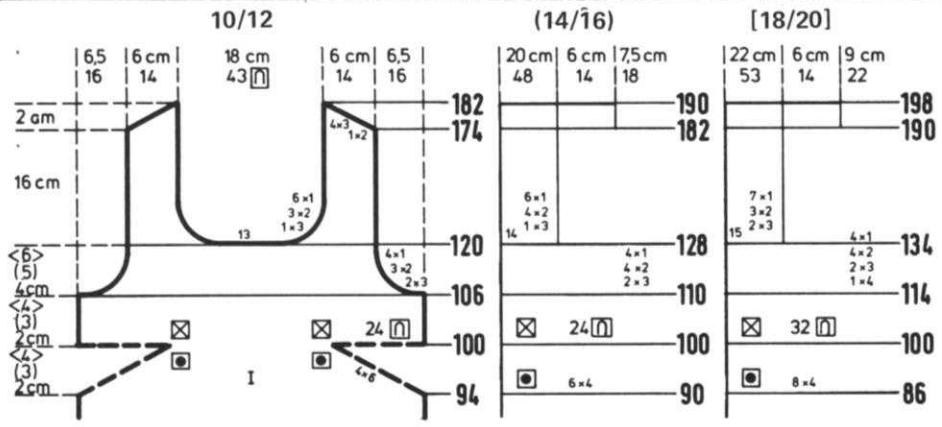
Cast on 103 (112) [125] sts. with color 1 and work K1, P1 Ribbing with color stripes as shown on the Chart. After Row 28, change to Stockinette stitch with repeated color stripes as shown on the Chart. Knit to Row 100.

SHAPE ARMHOLE: ON EACH SIDE, bind off 3 sts. 2x, 2 sts. 3x, 1 st. 4x. (3 sts. 2x, 2 sts. 4x, 1 st. 4x). [4 sts. 1x, 3 sts. 2x, 2 sts. 4x, 1 st. 4x].

Knit to Row 168 (172) [176], bind off the center 13 (18) [23] sts., put the needles on the left side into holding position and complete the right half first.

*SHAPE NECK AND SHOULDER AT THE SAME TIME. ALL SIZES: ON SHOULDER SIDE, bind off 2 sts. 1x, 3 sts. 4x and ON NECK SIDE, bind off 5 sts. 3x. Bring the needles on the left into working position, knit 1 row in correct color to the left side, turn the Row Counter back to 168 (172) [176] and complete the left half. Follow the instructions from *.





DK 96

WOMAN'S PULLOVER

SIZE: 8/10 (12/14) [16/18]
 YARN: Crocus
 GRAMS:
 Color 1 250 300 350
 Color 2 50 100 100
 Color 3 50 100 100
 TENSION: 6 to 8
 GAUGE: 15 sts. 20 rows = 5 cm (2")



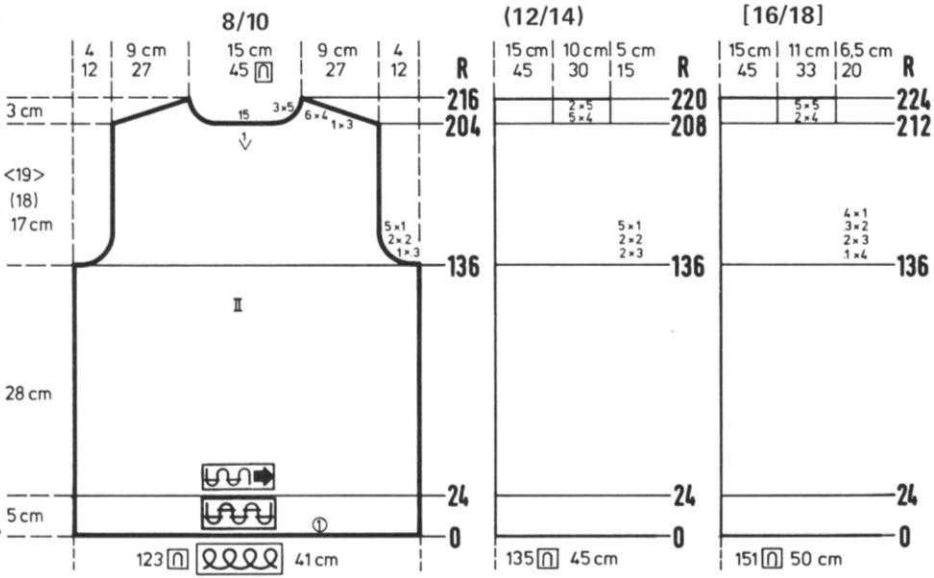
Stockinette stitch with striped color points as shown on the Chart. Bands are K1, P1 Ribbing. The knit side is the right side.

FINISHING: See General Instructions.

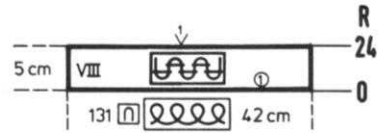
FRONT: I

Work the front section the same as the back to Row 94 (90) [86], then work Short Rows for the BUST DARTS. ON OPPOSITE SIDE OF CAM BOX, put in-to holding position, 6 sts. 4x ON EACH SIDE.
 (4 sts. 6x ON EACH SIDE).
 [4 sts. 8x ON EACH SIDE].
 ON OPPOSITE SIDE OF CAM BOX, bring all the needles back into working position before knitting the next 2 rows. Knit to Row 106 (110) [114]. SHAPE ARMHOLE: ON EACH SIDE, bind off 3 sts. 2x, 2 sts. 3x, 1 st. 4x. (3 sts. 2x, 2 sts. 4x, 1 st. 4x). [4 sts. 1x, 3 sts. 2x, 2 sts. 4x, 1 st. 4x].
 *AND AT THE SAME TIME, after Row 120 (128) [134], bind off the center 13 (14) [15] sts., put the needles on the left side into holding position and complete the right half first. ON NECK SIDE, bind off 3 sts. 1x, 2 sts. 3x, 1 st. 6x. (3 sts. 1x, 2 sts. 4x, 1 st. 6x). [3 sts. 2x, 2 sts. 3x, 1 st. 7x]. SHAPE SHOULDER after Row 174 (182) [190]. For all sizes, bind off 2 sts. 1x, 3 sts. 4x.
 Bring the needles on the left into working position, knit 1 row to the left side, turn the Row Counter back to 120 (128) [134] and complete the left half. Follow the instructions from * and don't forget to complete the armhole shaping.

BACK: II



Cast on 123 (135) [151] sts. with color 1 and work 24 rows K1, P1 Ribbing. Change to Stockinette stitch and knit to Row 136.
 SHAPE ARMHOLE: ON EACH SIDE, bind off 3 sts. 1x, 2 sts. 2x, 1 st. 5x. (3 sts. 2x, 2 sts. 2x, 1 st. 5x). [4 sts. 1x, 3 sts. 2x, 2 sts. 3x, 1 st. 4x].
 Knit to Row 204 (208) [212]. Bind off the center 15 sts., put the needles on the left into holding position and complete the right half first.
 *SHAPE SHOULDER AND NECK AT THE SAME TIME: ON SHOULDER SIDE, bind off 3 sts. 1x, 4 sts. 6x. (4 sts. 5x, 5 sts. 2x). [4 sts. 2x, 5 sts. 5x].
 ON NECK SIDE, for all sizes, bind off 5 sts. 3x.
 Bring the Cam Box to the left side, turn the Row Counter back to 204 (208) [212] and complete the left half. Follow the instructions from *.



NECKBAND: VIII

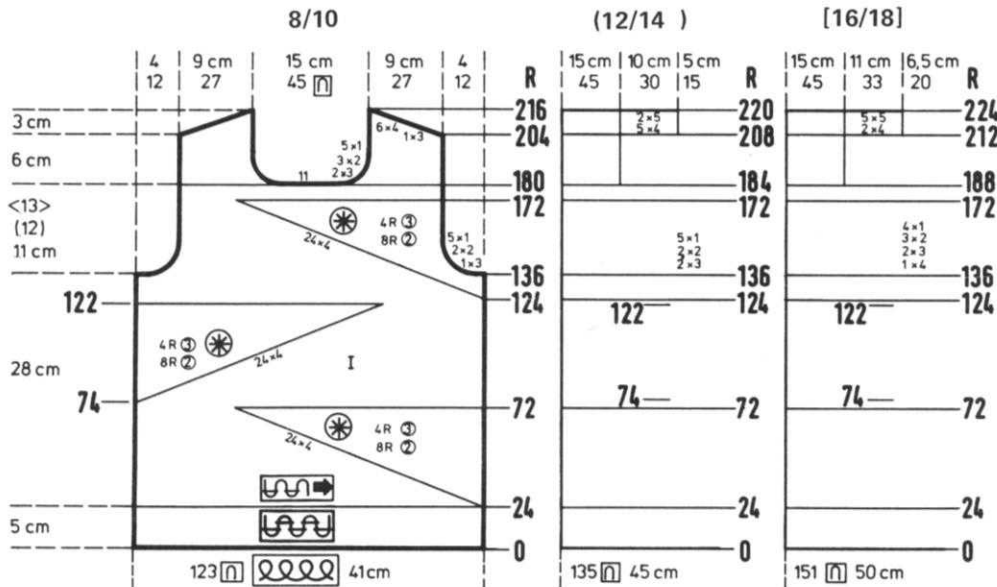
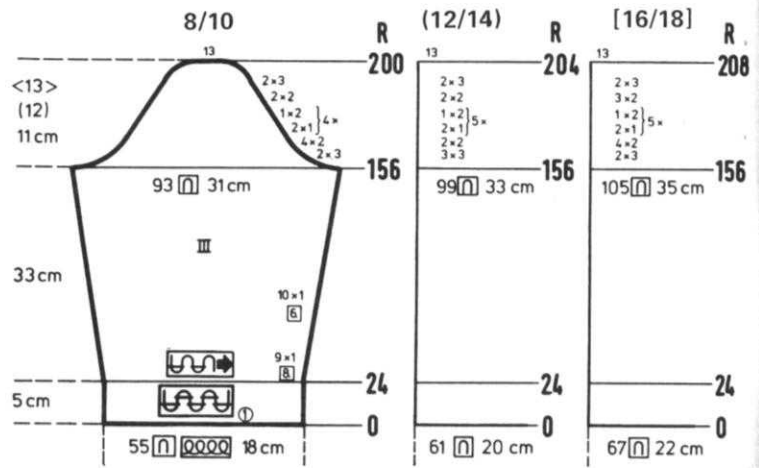
Cast on 131 sts. with color 1 and work 24 rows K1, P1 Ribbing then bind off the crochet method for Ribbing.

Continued

DK 96

SLEEVE: III

Cast on 55 (61) [67] sts. with color 1 and work 24 rows K1, P1 Ribbing. Change to Stockinette stitch. ON EACH SIDE, increase 1 st. every 8th row 9x, every 6th row 10x. Knit to Row 156. SHAPE CAP: ON EACH SIDE, bind off 3 sts. 2x, 2 sts. 4x, *1 st. 2x, 2 sts. 1x and REPEAT from * 3x more, 2 sts. 2x, 3 sts. 2x. (3 sts. 3x, 2 sts. 2x, *1 st. 2x, 2 sts. 1x and REPEAT from * 4x more), 2 sts. 2x, 3 sts. 2x. [3 sts. 2x, 2 sts. 4x, *1 st. 2x, 2 sts. 1x and REPEAT from * 4x more, 2 sts. 3x, 3 sts. 2x]. After Row 200 (204) [208], bind off the remaining 13 sts.



FRONT: I

Cast on 123 (135) [151] sts. with color 1 and work 24 rows K1, P1 Ribbing. Change to Stockinette stitch. Knit 1 row to the left side. Work Short Rows. ON THE RIGHT SIDE, put into holding position, 4 needles 24x. All needles in work, knit 1 row to the right side. Turn the Row Counter back to 24. ON THE LEFT SIDE, put 119 (131) [147] needles into holding position. With color 2, knit 2 rows. Continue with the color stripes as shown on the Chart, bring back into working position, 4 needles 24x. After Row 74, work the 2nd Color Point on the LEFT SIDE the same as the first Color Point. After Row 124, begin the Color Point on the RIGHT SIDE the same as the first color point and AT THE SAME TIME, after Row 136, SHAPE ARMHOLE: ON EACH SIDE, bind off 3 sts. 1x, 2 sts. 2x, 1 st. 5x. (3 sts. 2x, 2 sts. 2x, 1 st. 5x). [4 sts. 1x, 3 sts. 2x, 2 sts. 3x, 1 st. 4x]. After Row 180 (184) [188], bind off the center 11 sts., put the needles on the left into holding position and complete the right half first. *ON NECK SIDE, for all sizes, bind off 3 sts. 2x, 2 sts. 3x, 1 st. 5x and SHAPE SHOULDER after Row 204 (208) [212] by binding off 3 sts. 1x, 4 sts. 6x. (4 sts. 5x, 5 sts. 2x). [4 sts. 2x, 5 sts. 5x]. Move the Cam Box to the left side, turn the Row Counter back to 180 (184) [188] and complete the left half. Follow the instructions from *.

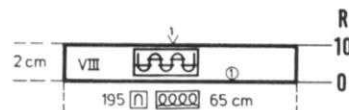
DK 97

WOMAN'S JACKET & PULLOVER

SIZE: 10/12 (14/16) [18/20]
 YARN: Allegro
 GRAMS:
 Color 1 500 550 600
 Color 2 150 200 200
 TENSION: 7 to 9
 GAUGE:
 Stock: 15 sts. 22 rows = 5 cm (2")
 Pat: 15 sts. 19 rows = 5 cm (2")

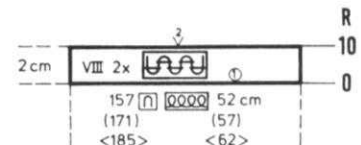
The front sections of Jacket plus Pullover are a Norwegian Design using 2 colors. Follow the Line Drawing or use JAC 40 and Pattern No. 703. Back sections and Sleeves are Stockinette stitch. The bands are ribbed. Worn on the knit side.

FINISHING: See General Instructions.



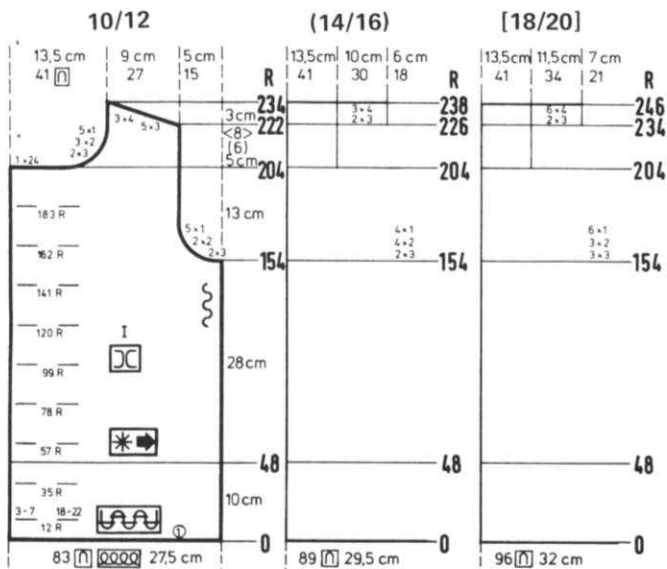
NECKBAND: VIII

Cast on 195 sts. with color 1 and work 10 rows K1, P1 Ribbing, then bind off the crochet method for Ribbing.



ARBANDS: VIII

Cast on 157 (171) [185] sts. with color 1 and work 10 rows K1, P1 Ribbing, then bind off the crochet method for Ribbing.

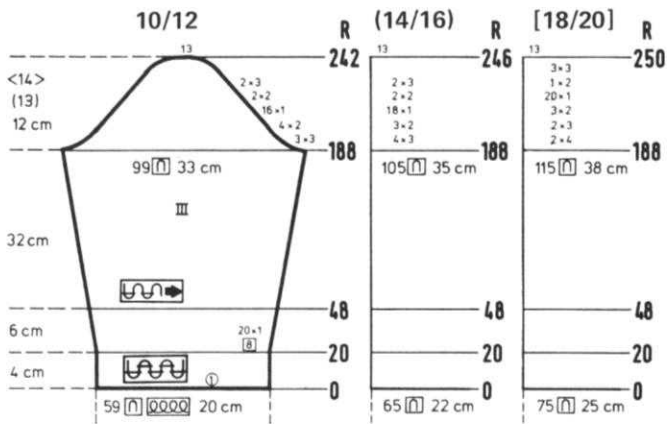
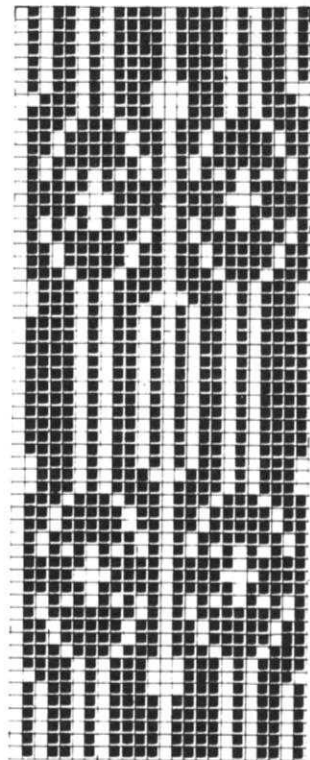


JACKET FRONT: I Make 1, reverse 1.

Cast on 83 (89) [96] sts. with color 1 and work 48 rows K1, P1 Ribbing and at THE SAME TIME, make BUTTONHOLES after Rows 12 and 35 over needles 3 to 7 and 18 to 22 counting from the left edge. Change to Norwegian Pattern and make BUTTONHOLES over the same needles as before after Rows as shown on the Chart. Knit to Row 154.

SHAPE ARMHOLE: Bind off 3 sts. 2x, 2 sts. 2x, 1 st. 5x. (3 sts. 2x, 2 sts. 4x, 1 st. 4x). [3 sts. 3x, 2 sts. 3x, 1 st. 6x]. Knit to Row 205. ON NECK SIDE, bind off 24 sts. 1x, 3 sts. 2x, 2 sts. 3x, 1 st. 5x and SHAPE SHOULDER after Row 222 (226) [234] by binding off 3 sts. 5x, 4 sts. 3x. (3 sts. 2x, 4 sts. 3x). [3 sts. 2x, 4 sts. 6x].

Make the second front section with reverse shaping and OMIT the Buttonholes.



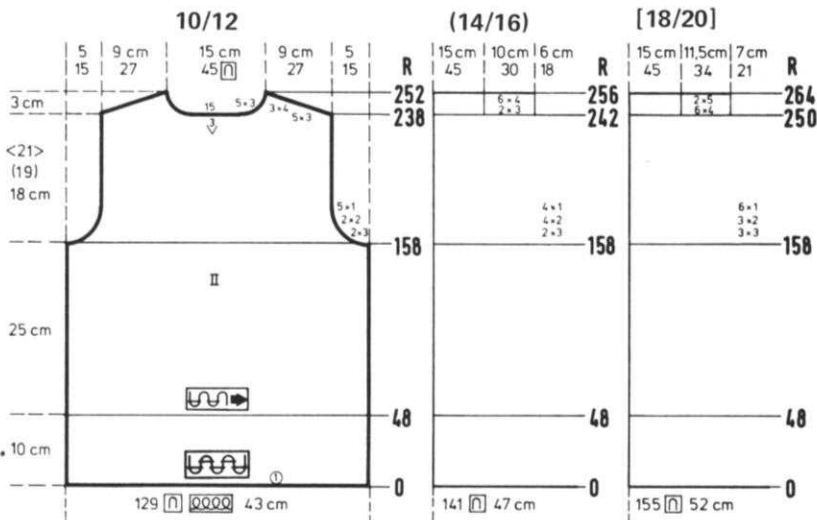
JACKET SLEEVE: III

Cast on 59 (65) [75] sts. with color 1 and work K1, P1 Ribbing. After Row 20, increase 1 st. ON EACH SIDE every 8th row 20x and at THE SAME TIME, after Row 48, change to Stockinette stitch. After Row 188, SHAPE CAP: ON EACH SIDE, bind off 3 sts. 3x, 2 sts. 4x, 1 st. 16x, 2 sts. 2x, 3 sts. 2x. (3 sts. 4x, 2 sts. 3x, 1 st. 18x, 2 sts. 2x, 3 sts. 2x). [4 sts. 2x, 3 sts. 2x, 2 sts. 3x, 1 st. 20x, 2 sts. 1x, 3 sts. 3x]. After Row 242 (246) [250], bind off the remaining 13 sts.

- Color 2
- Color 1



703

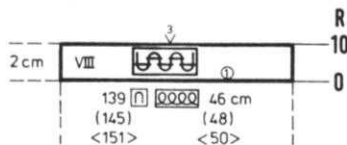


JACKET BACK: II

Cast on 129 (141) [155] sts. with color 1 and work 48 rows K1, P1 Ribbing. Change to Stockinette stitch and knit to Row 158.

SHAPE ARMHOLE: ON EACH SIDE, bind off 3 sts. 2x, 2 sts. 2x, 1 st. 5x. (3 sts. 2x, 2 sts. 4x, 1 st. 4x). [3 sts. 3x, 2 sts. 3x, 1 st. 6x]. Knit to Row 238 (242) [250]. Bind off the center 15 sts. put the needles on the left into holding position and complete the right half first.

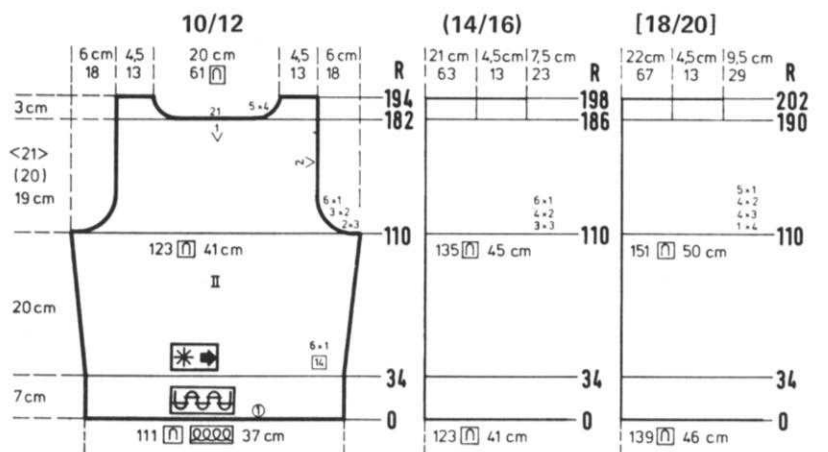
SHAPE SHOULDER AND NECK AT THE SAME TIME. ON SHOULDER SIDE, bind off 3 sts. 5x, 4 sts. 3x. (3 sts. 2x, 4 sts. 6x). [4 sts. 6x, 5 sts. 2x]. For NECK, bind off 3 sts. 5x, for all sizes.



JACKET NECKBAND: VIII

Cast on 139 (145) [151] sts. with color 1 and work 10 rows K1, P1 Ribbing, then bind off the crochet method for Ribbing.

DK 97 Continued



PULLOVER BACK: II

Cast on 111 (123) [139] sts. with color 1 and work 34 rows K1, P1 Ribbing. Change to Norwegian Design and ON EACH SIDE, increase 1 st. every 14th row 6x. Knit to Row 110. SHAPE ARMHOLE: ON EACH SIDE, bind off 3 sts. 2x, 2 sts. 3x, 1 st. 6x. (3 sts. 3x, 2 sts. 4x, 1 st. 6x). [4 sts. 1x, 3 sts. 4x, 2 sts. 4x, 1 st. 5x].
Knit to Row 182 (186) [190]. Bind off the center 21 sts., put the needles on the left into holding position and complete the right half first.
*ON NECK SIDE for all sizes, bind off 4 sts. 5x. Bind off the remaining 13 sts. Bring the needles on the left into working position, knit 1 row in pattern to the left side, turn the Row Counter back to 182 (186) [190] and complete the left half. Follow the instructions from *.

PULLOVER FRONT: I

Work the front section the same as the back to Row 110 then knit even to Row 122. SHAPE ARMHOLE THE SAME AS THE BACK, but AT THE SAME TIME, after Row 138 (142) [146], bind off the center 17 sts., put the needles on the left into holding position and complete the right half first.
*ON NECK SIDE, bind off 3 sts. 2x, 2 sts. 4x, 1 st. 8x. Knit to Row 206 (210) [214] then bind off the remaining 13 sts.
Bring the needles on the left into working position, Knit 1 row in Pattern to the left side, turn the Row Counter back to 138 (142) [146] and complete the left half. Follow the instructions from *.

DK 98



WOMAN'S SKIRT & PULLOVER

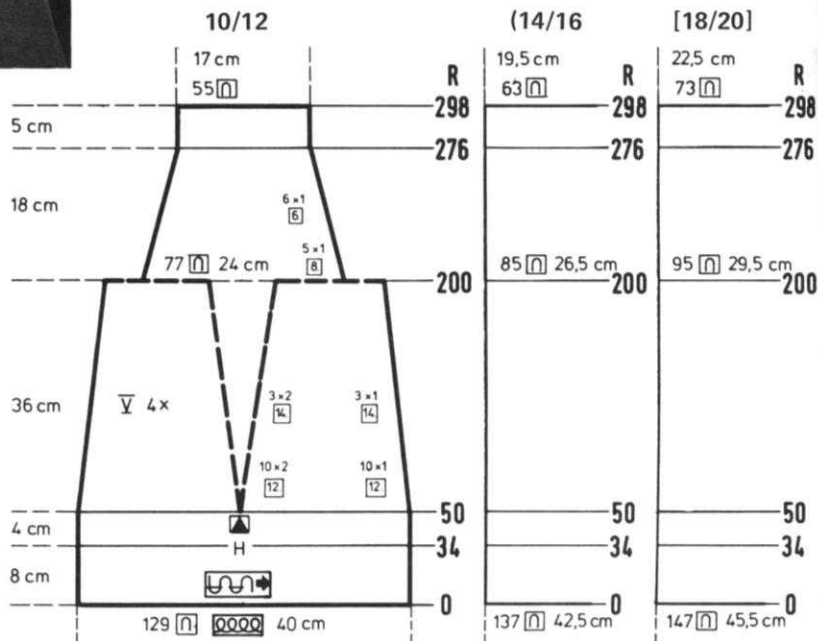
SIZE: 10/12 (14/16) [18/20]
YARN: Color 1 Beatrice
Color 2 Monofil
GRAMS:
Color 1 700 750 800
Color 2 1 spool for all sizes.
TENSION: 5 to 7
GAUGE: 16 sts. 21 rows = 5 cm (2")

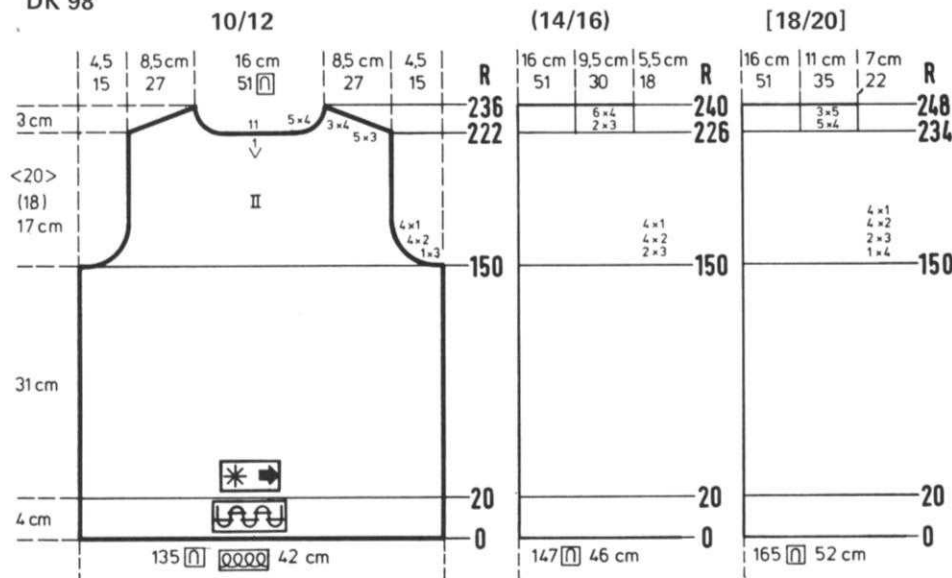
Skirt: Stockinette stitch. Pullover: Norwegian Design that follows the Line Drawing or use JAC 40 and Pattern No. 576. The bands are ribbed. The knit side is the right side.

FINISHING: See General Instructions. Ease the extra rows on front section of Pullover at the bustline.

SKIRT: V Make 4.

Cast on 129 (137) [147] sts. and work Stockinette stitch. Knit to Row 34, then hang the hem. Knit to Row 50. Decrease 2 sts. in the center for DART and decrease 1 st. ON EACH SIDE every 12th row 10x, every 14th row 3x and move the sts. in to fill the empty needles. After Row 200, ON EACH SIDE, decrease 1 st. every 8th row 5x, every 6th row 6x. Knit to Row 298 then bind off the remaining 55 (63) [73] sts.





BACK: II

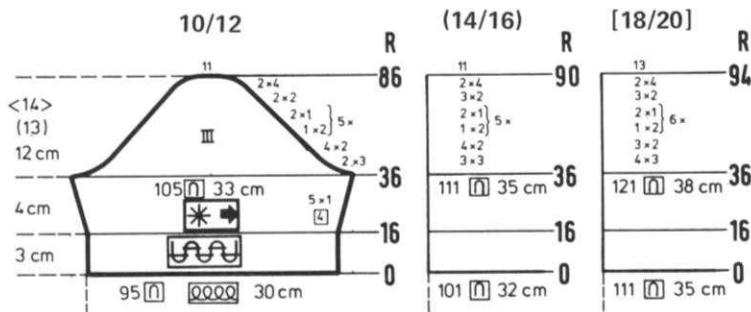
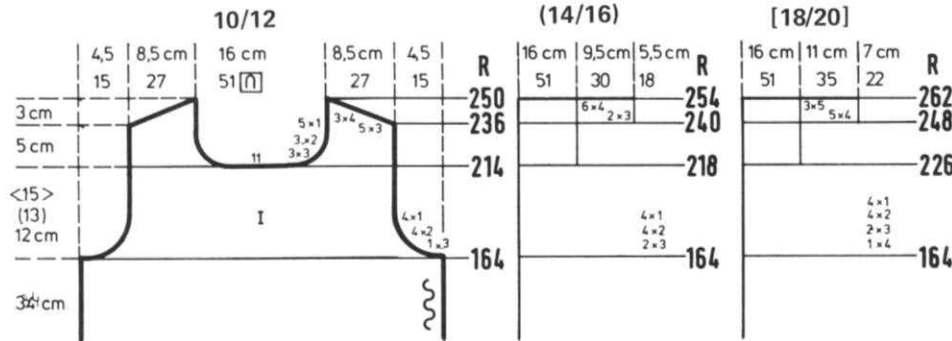
Cast on 135 (147) [165] sts. and work 20 rows K1, P1 Ribbing. Change to Norwegian Design and knit to Row 150. SHAPE ARMHOLE: ON EACH SIDE, bind off 3 sts. 1x, 2 sts. 4x, 1 st. 4x. (3 sts. 2x, 2 sts. 4x, 1 st. 4x). [4 sts. 1x, 3 sts. 2x, 2 sts. 4x, 1 st. 4x].

Knit to Row 222 (226) [234], bind off the center 11 sts., put the needles on the left into holding position and complete the right half first. *ON SHOULDER SIDE, bind off 3 sts. 5x, 4 sts. 3x. (3 sts. 2x, 4 sts. 6x). [4 sts. 5x, 5 sts. 3x]. ON NECK SIDE, bind off 4 sts. 5x for all sizes.

Bring the needles on the left into working position, knit 1 row in Pattern to the left side, turn the Row Counter back to 222 (226) [234] and complete the left half. Follow the instructions from *.

FRONT: I

Work the front the same as the back to Row 150, then knit to Row 164. SHAPE ARMHOLE same as the back. Knit to Row 214 (218) [226], bind off the center 11 sts., put the needles on the left into holding position and complete the right half first. *ON NECK SIDE, for all sizes, bind off 3 sts. 3x, 2 sts. 3x, 1 st. 5x and ON SHOULDER SIDE, after Row 236 (240) [248], bind off 3 sts. 5x, 4 sts. 3x. (3 sts. 2x, 4 sts. 6x). [4 sts. 5x, 5 sts. 3x]. Bring the needles on the left into working position, knit 1 row in Pattern to the left side, turn the Row Counter back to 214 (218) [226] and complete the left half. Follow the instructions from *.

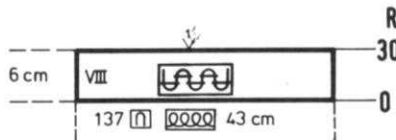


SLEEVE: III

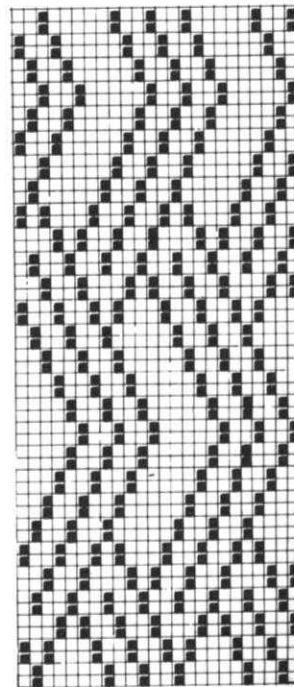
Cast on 95 (101) [111] sts. and work 16 rows K1, P1 Ribbing. Change to Norwegian Design and ON EACH SIDE, increase 1 st. every 4th row 5x. After Row 36, SHAPE CAP: ON EACH SIDE, bind off 3 sts. 2x, 2 sts. 4x *2 sts. 1x, 1 st. 2x and REPEAT from * 4x more, 2 sts. 2x, 4 sts. 2x. (3 sts. 3x, 2 sts. 4x, *2 sts. 1x, 1 st. 2x, and REPEAT from * 4x more, 3 sts. 2x, 4 sts. 2x). [3 sts. 4x, 2 sts. 3x, *2 sts. 1x, 1 st. 2x and REPEAT from * 5x more, 2 sts. 3x, 4 sts. 2x]. After Row 86 (90) [94], bind off the remaining 11 (11) [13] sts.

NECKBAND: VIII

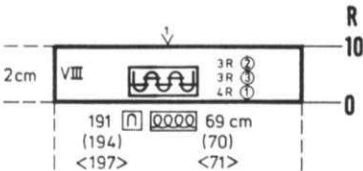
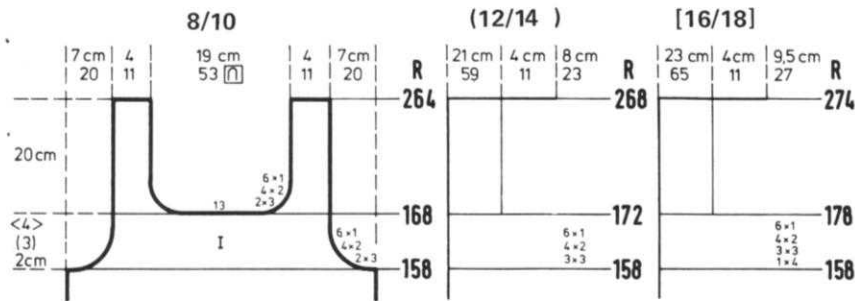
Cast on 137 sts. and work 30 rows K1, P1 Ribbing then bind off the crochet method for Ribbing.



576



□ YARN □ MONOFIL



R NECKBAND: VIII

Cast on 191 (194) [197] sts. with color 1 and work 10 rows K1, P1 Ribbing with color stripes as shown on the Chart. Bind off the crochet method for Ribbing.

FRONT: I

Work the front the same as the back to Row 158. SHAPE ARMHOLE SAME AS THE BACK and AT THE SAME TIME, after Row 168 (172) [178], bind off the center 13 sts., put the needles on the left into holding position and complete the right half first.

*ON NECK SIDE, for all sizes, bind off 3 sts. 2x, 2 sts. 4x, 1 st. 6x. Knit to Row 264 (268) [274] then bind off the remaining 11 sts.

Bring the Cam Box to the left side, turn the Row Counter back to 168 (172) [178] and complete the left half. Follow the instructions from * and DON'T FORGET to complete the armhole shaping.

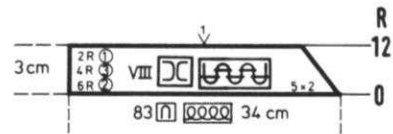
DK 100

WOMAN'S PULLOVER

SIZE: 7/8 (10/12) [14/16]
 YARN: Allegro
 GRAMS:
 Color 1 300 350 400
 Color 2 50 50 50
 Color 3 50 50 50
 TENSION: 7 to 9
 GAUGE: Pat: 12 sts. 29 rows
 = 5 cm (2")

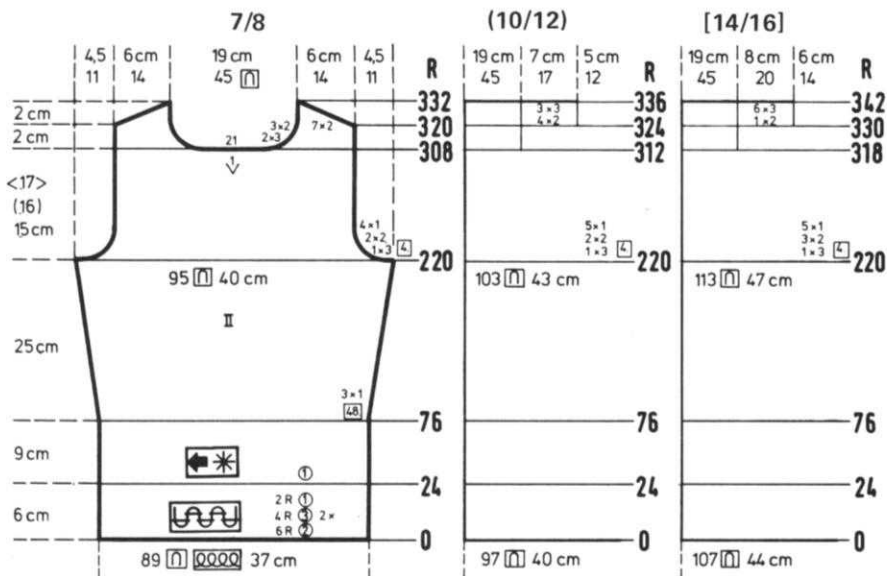
A Holding Position Design using Wheel W4. The bands are 1 x 1 Ribbing. The Purl side is the right side.

FINISHING: See General Instructions.



NECKBAND: VIII Make 1, reverse 1.

Cast on 83 sts. with color 2 and work 12 rows K1, P1 Ribbing with color stripes as shown on the Chart, and AT THE SAME TIME, on the RIGHT SIDE (left for second section) decrease 2 sts. every 2nd row 5x. Bind off the crochet method for Ribbing.



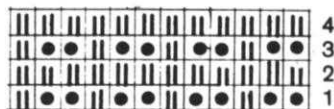
BACK: II

Cast on 89 (97) [107] sts. with color 2 and work 24 Rows K1, P1 Ribbing with color stripes as shown on the Chart. Change to Pattern and color 1. Knit to Row 76. ON EACH SIDE, increase 1 st. every 48th row 3x. After Row 220, SHAPE ARMHOLE: ON EACH SIDE, on every 4th row, bind off

3 sts. 1x, 2 sts. 2x, 1 st. 4x. (3 sts. 1x, 2 sts. 2x, 1 st. 5x). [3 sts. 1x, 2 sts. 3x, 1 st. 5x]. Knit to Row 308 (312) [318]. Bind off the center 21 sts., put the needles on the left into holding position and complete the right half first.

*ON NECK SIDE, for all sizes, bind off 3 sts. 2x, 2 sts. 3x, and SHAPE SHOULDER after Row 320 (324) [330] by binding off 2 sts. 7x (2 sts. 4x, 3 sts. 3x) [2 sts. 1x, 3 sts. 6x].

Bring the needles on the left into working position, knit 1 row in Pattern to the left side, turn the Row Counter back to 308 (312) [318] and complete the left half. Follow the instructions from *.



Continued

DK 100

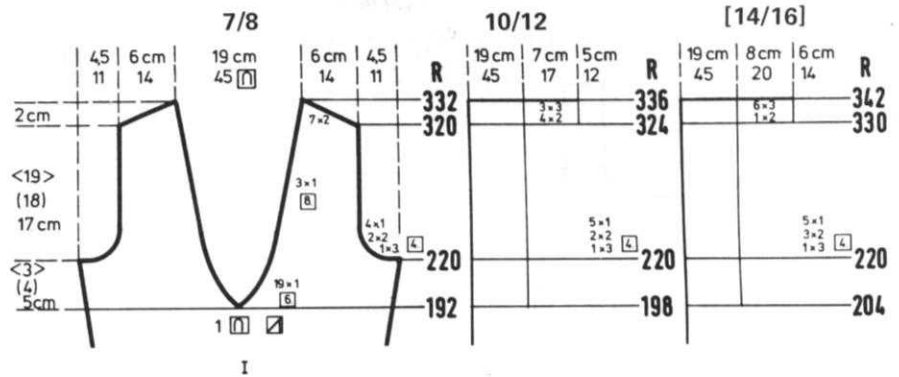
Continued

FRONT: I

Work the front section the same as the back to Row 192 (198) [204]. Hang the center stitch onto the adjacent needle, put the needles on the left into holding position and complete the right half first.

*ON NECK SIDE, decrease 1 st. every 6th row 19x, every 8th row 3x and AT THE SAME TIME, after Row 220, SHAPE ARM-HOLE SAME AS THE BACK. SHAPE SHOULDER after Row 320 (324) [330]. Bind off 2 sts. 7x (2 sts. 4x, 3 sts. 3x). [2 sts. 1x, 3 sts. 6x].

Bring the needles on the left into working position, knit 1 row in Pattern to the left side, turn the Row Counter back to 192 (198) [204] and complete the left half. Follow the instructions from *.

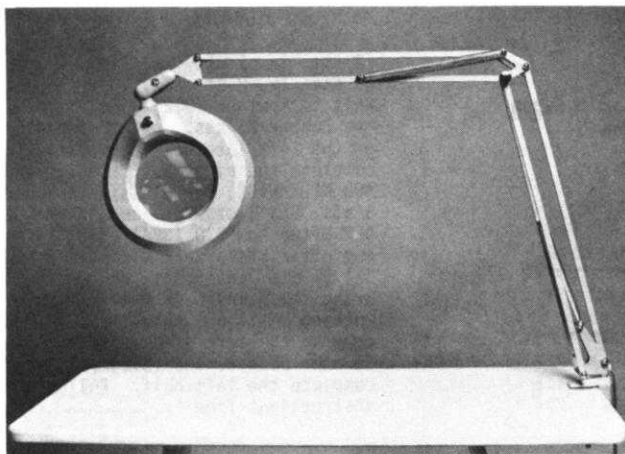
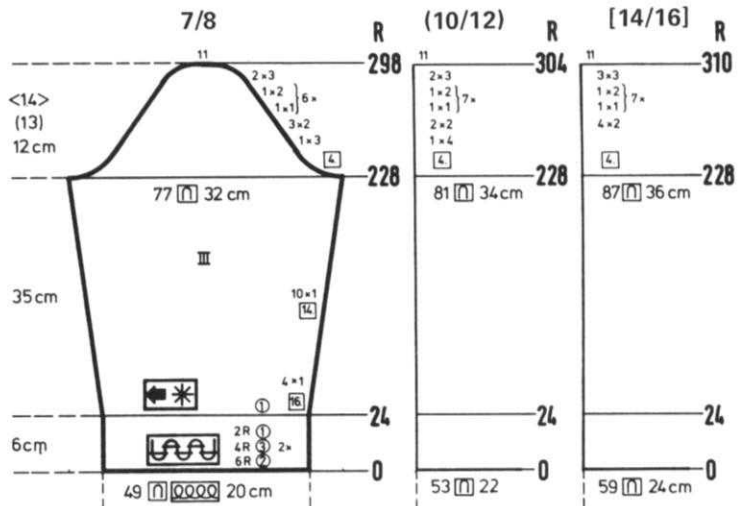


SLEEVE: III

Cast on 49 (53) [59] sts. with color 2 and work 24 rows K1, P1 Ribbing with color stripes as shown on the Chart. Change to Pattern and continue with color 1. ON EACH SIDE, increase 1 st. every 16th row 4x, every 14th row 10x. Knit to Row 228.

SHAPE CAP ON EVERY 4th row. ON EACH SIDE, bind off 3 sts. 1x, 2 sts. 3x, *1 st. 1x, 2 sts. 1x, and REPEAT from * 5x more, 3 sts. 2x.

(4 sts. 1x, 2 sts. 2x, *1 st. 1x, 2 sts. 1x and REPEAT from * 6x more, 3 sts. 2x). [2 sts. 4x, *1 st. 1x, 2 sts. 1x, and REPEAT from * 6x more, 3 sts. 3x]. After Row 298 (304) [310], bind off the remaining 11 sts.



knitting magnifier lamp

A perfect gift item for any knitter. It has a large (5") magnifying lens and a cool fluorescent tube light. It stays in any position and is wonderful for general illumination for you to work under when joining seams, etc. Color: light grey.

List Price: \$69.50

(California residents add Sales Tax)

Shipping Costs: \$3.00

Order direct from KNITKING - 1128 Crenshaw Blvd., Los Angeles, California 90019

DK 101

WOMAN'S SKIRT & VEST

SIZE: 7/8 (10/12) [14/16]

YARN: Color 1 Amore
Color 2 Amoretta

GRAMS:
Color 1 450 500 550
Color 2 250 300 350

TENSION: Amore: 5 to 7
Amoretta: 7 to 9

GAUGE: Amore: 16 sts. 24 rows = 5 cm
Amoretta: 14 sts. 20 rows = 5 cm



Stockinette stitch with ribbed bands. The knit side of skirt is the right side, the purl side of Vest is the right side.

FINISHING: See General Instructions.

BACK: II

Cast on 103 (111) [123] sts. with color 1 and work 16 rows K1, P1 Ribbing.

Change to Stockinette stitch and color 2. Knit to Row 64.

ON EACH SIDE, increase 1 st. every 16th row 5x. Knit to Row 144.

SHAPE ARMHOLE: ON EACH SIDE, bind off 4 sts. 1x, 3 sts. 2x, 2 sts. 2x, 1 st. 6x.

(4 sts. 1x, 3 sts. 2x, 2 sts. 3x, 1 st. 7x).

[4 sts. 1x, 3 sts. 3x, 2 sts. 4x, 1 st. 6x].

Knit to Row 220, bind off the center 21 (23) [23] sts., put the needles on the left into holding position and complete the right half first.

*ON NECK SIDE, bind off 3 sts. 2x, 2 sts. 5x).

(3 sts. 2x, 2 sts. 5x).

[3 sts. 2x, 2 sts. 6x].

After Row 240, bind off the remaining 10 sts. Bring the Cam Box to the left side, turn the Row Counter back to 220 and complete the left half. Follow the instructions from *.

FRONT: I Make 1, reverse 1.

Cast on 49 (53) [59] sts. with color 1 and work 16 rows K1, P1 Ribbing.

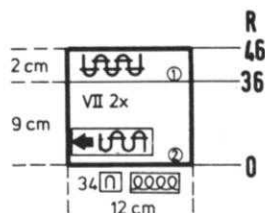
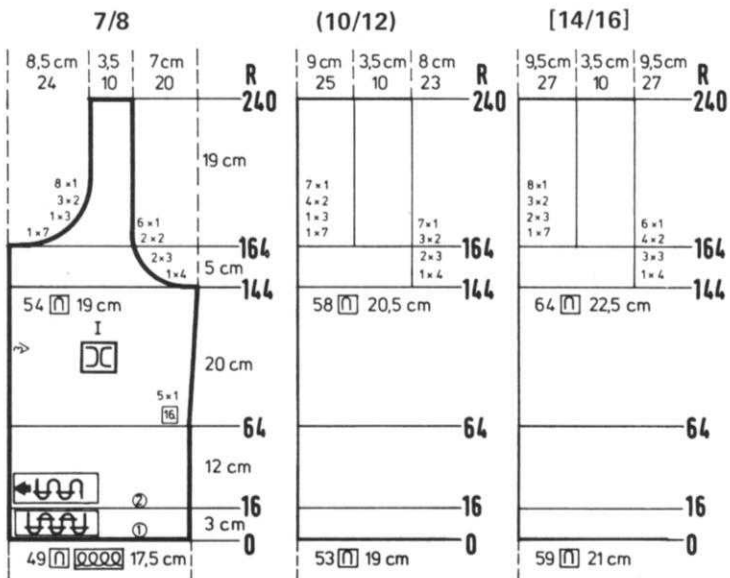
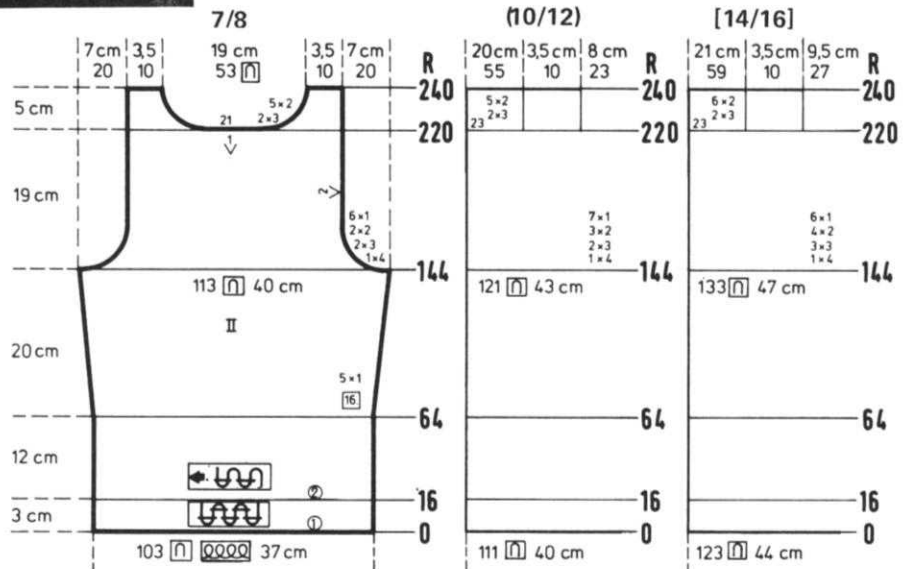
Change to color 2 and Stockinette st.

Knit to Row 64. ON SIDE EDGE, increase 1 st. every 16th row 5x. Knit to Row 144. SHAPE ARMHOLE: ON ARMHOLE SIDE, make the bind-offs the same as the back section and AT THE SAME TIME, after Row 165, ON NECK SIDE, bind off 7 sts. 1x, 3 sts. 1x, 2 sts. 3x, 1 st. 8x.

(7 sts. 1x, 3 sts. 2x, 2 sts. 3x, 1 st. 7x).

[7 sts. 1x, 3 sts. 2x, 2 sts. 3x, 1 st. 8x].

Knit to Row 240 and bind off the remaining 10 sts.

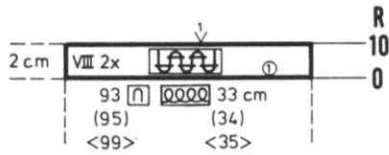


POCKET: VII Make 2.

Cast on 34 sts. with color 2 and work Stockinette stitch to Row 36. Change to K1, P1 Ribbing and color 1 and work to Row 46 then bind off the crochet method for Ribbing.

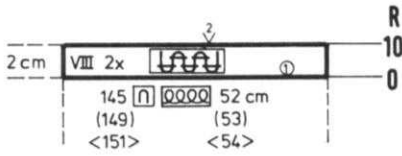
DK 101

Continued



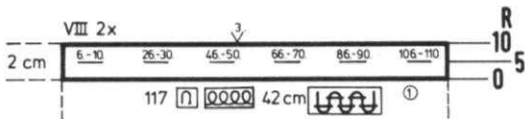
NECKBAND: VIII Make 2.

Cast on 93 (95) [99] sts. with color 1 and work 10 rows K1, P1 Ribbing then bind off the crochet method for Ribbing.



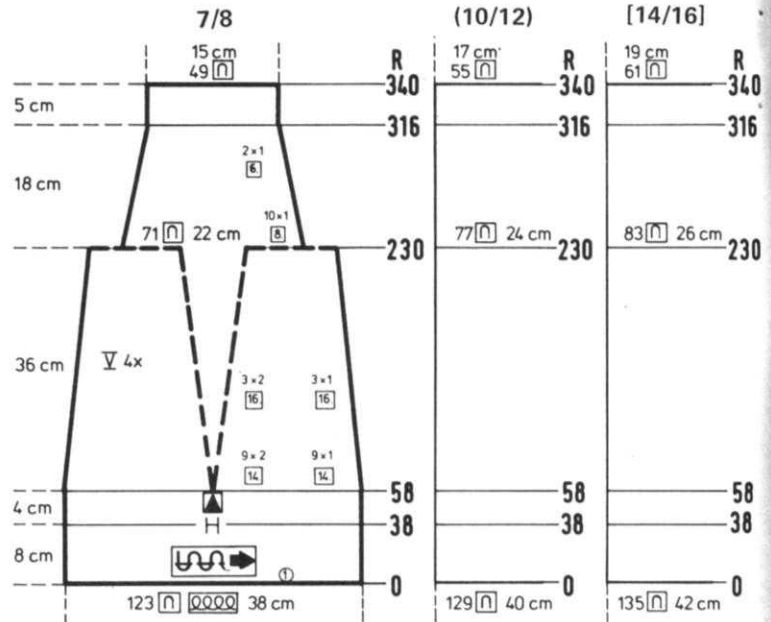
ARMBANDS: VIII Make 2.

Cast on 145 (149) [151] sts. with color 1 and work 10 rows K1, P1 Ribbing, then bind off the crochet method for Ribbing.



FRONT BAND: VIII

Cast on 117 sts. with color 1 and work K1, P1 Ribbing. After Row 5, MAKE BUTTONHOLES over needles as shown on the Chart. After Row 10, bind off the crochet method for Ribbing.

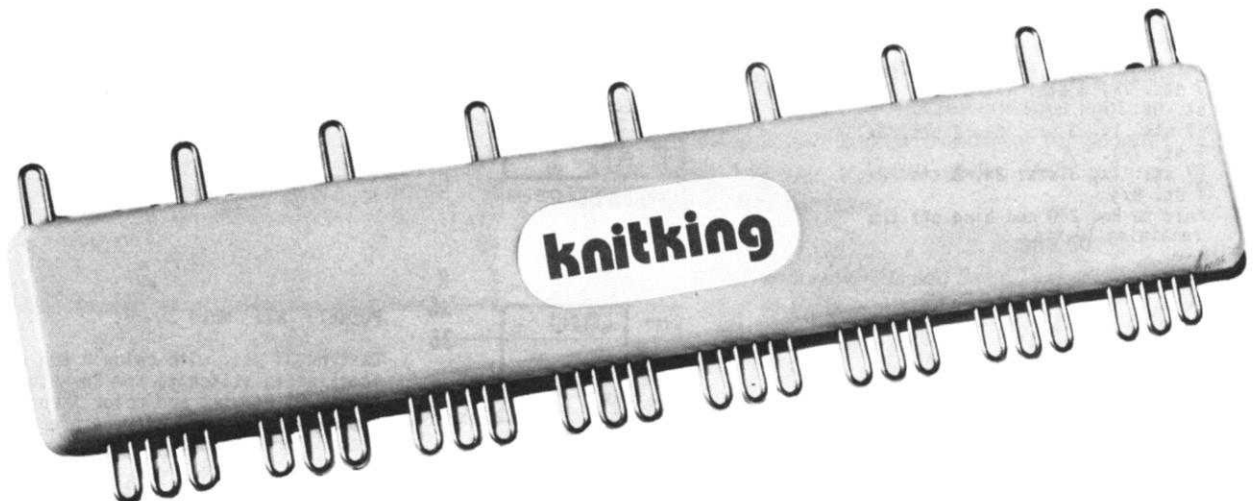


SKIRT: V Make 4.

Cast on 123 (129) [135] sts. with color 1 and work Stockinette stitch. Knit to Row 38, hang the hem and knit to Row 58. In the center, decrease 2 sts. for DART and ON EACH SIDE, decrease 1 st. every 14th row 9x, every 16th row 3x and move the sts. in to fill the empty needles. After Row 230 ON EACH SIDE, decrease 1 st. every 8th row 10x, every 6th row 2x. Knit to Row 340 then bind off the remaining 49 (55) [61] sts.

Suitable for KNITKING Machines only. The Adjustable Needle Selector can be set to any needle spacing and is the perfect Tool to use with many of the Patterns in this issue of KNITKING MAGAZINE.

Price: \$ 4.25 Shipping: \$.60
California residents add Sales Tax.



DK 103

WOMAN'S PANTS & JACKET

SIZE: 10/12 (14/16) [18/20]

YARN: Beatrice

GRAMS:

Color 1	600	650	700
Color 2	600	650	700
Color 3	100	150	200
Color 4	100	150	200

TENSION: 6 to 8

GAUGE:

Stock. & Pat. I: 15 sts. 20 rows = 5 cm
Pat. II: 12 sts. 20 rows = 5 cm.

Pants: Stockinette stitch, worn on the knit side. Jacket: Norwegian Design that follows the Line Drawing or use JAC 40 and Pattern No. K702. Bands and Collar in Pattern II which is a Mock Rib - 2 needles in work, 1 needle out of work. The empty needles DO COUNT in the stitch gauge and instructions.

JACKET BACK: II

Cast on 162 (174) [192] sts. with color 2 and work Stockinette stitch to Row 24. Hang the hem and change to Norwegian Design. After Row 40, ON EACH SIDE, decrease 1 st. every 6th row 11x, every 4th row 10x. Knit to Row 156. ON EACH SIDE, increase 1 st. every 12th row 3x, every 10th row 3x. Knit to Row 224.

SHAPE ARMHOLE: ON EACH SIDE, bind off 3 sts. 2x, 2 sts. 2x, 1 st. 5x.

(3 sts. 3x, 2 sts. 2x, 1 st. 5x).

[4 sts. 1x, 3 sts. 2x, 2 sts. 3x, 1 st. 6x].

Knit to Row 300 (304) [308]. Bind off the center 18 sts., put the needles on the left into holding position and complete the right half first.

*SHAPE SHOULDER AND NECK AT THE SAME TIME. ON SHOULDER SIDE, bind off

3 sts. 1x, 4 sts. 6x.

(4 sts. 5x, 5 sts. 2x)

[5 sts. 7x].

and ON NECK SIDE, for all sizes, bind off 4 sts. 4x.

Bring the needles on the left into working position, knit 1 row in Pattern to the left side, turn the Row Counter back to 300 (304) [308] and complete the left half. Follow the instructions from *.

JACKET FRONT: I Make 1, reverse 1.

Cast on 90 (96) [105] sts. with color 2 and work Stockinette stitch to Row 24. Hang the hem then change to Norwegian Design.

Knit to Row 40. ON SIDE EDGE, decrease 1 st. every 6th row 11x, every 4th row 10x, then knit to Row 156.

SHAPE FRONT AND SIDE EDGE AT THE SAME TIME. ON FRONT EDGE, decrease 1 st.

every 5th row 33x and ON SIDE EDGE, increase 1 st. every 12th row 3x, every 10th row 3x. Knit to Row 232 (236)

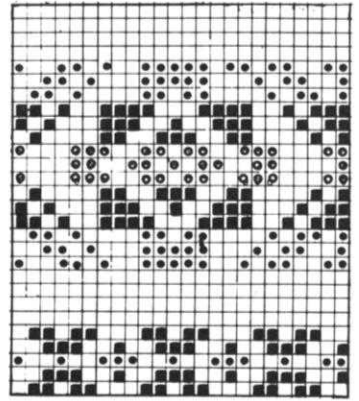
[240]. Continue with front shaping and SHAPE ARMHOLE same as the back,

then knit to Row 308 (316) [324] and

SHAPE SHOULDER by binding off 3 sts.

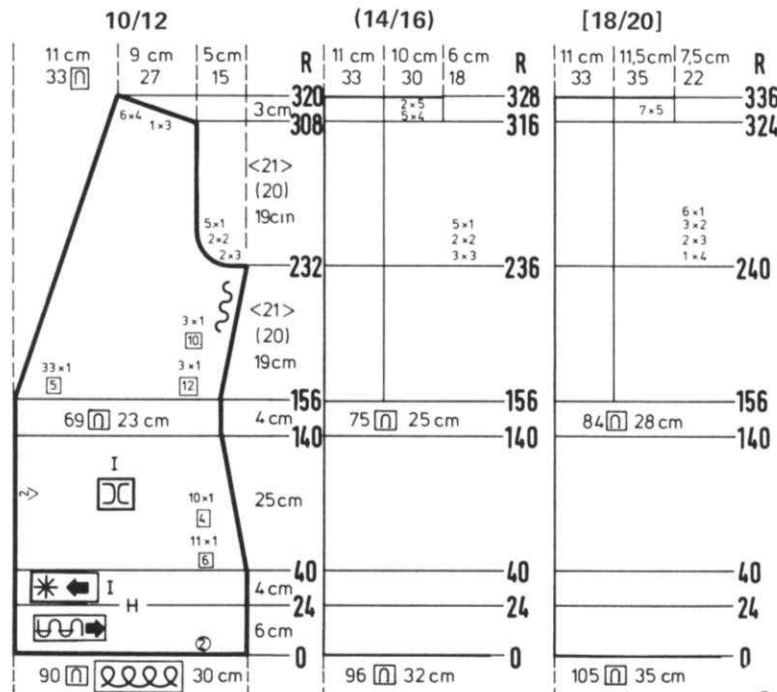
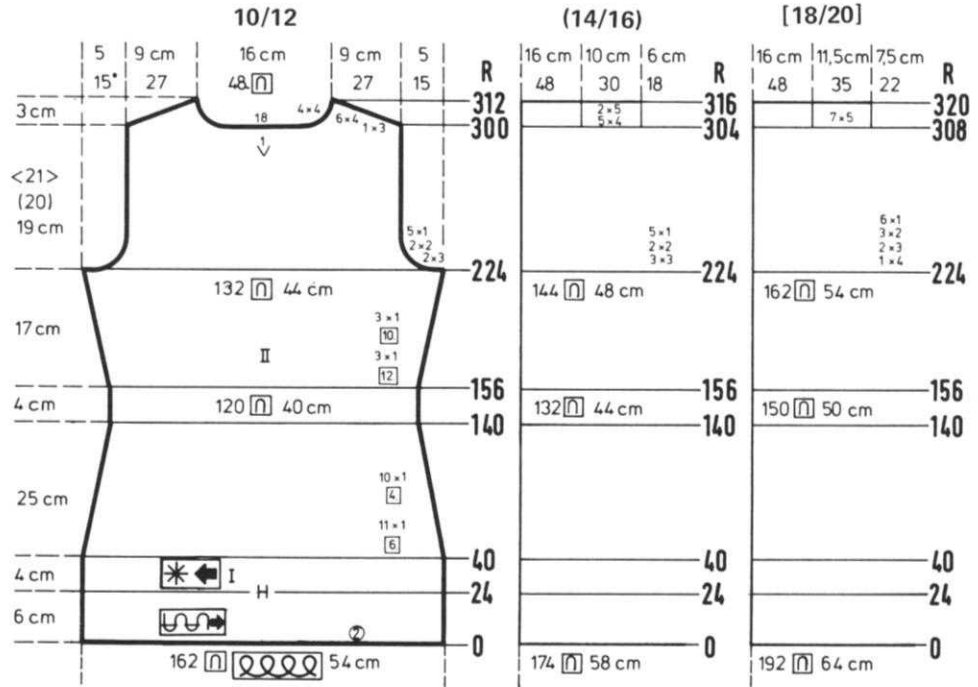
1x, 4 sts. 6x. (4 sts. 5x, 5 sts. 2x)

[5 sts. 7x].



Color 2
Color 3
Color 4
Color 1

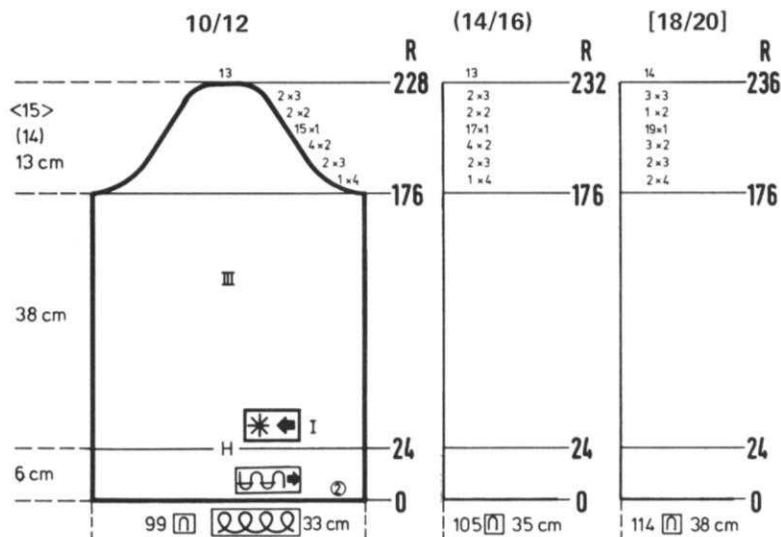
FINISHING: See General Instructions. Sew back seam of shawl collar then sew to front edge and neck line. (See picture).



JACKET SLEEVE: III Make 2.

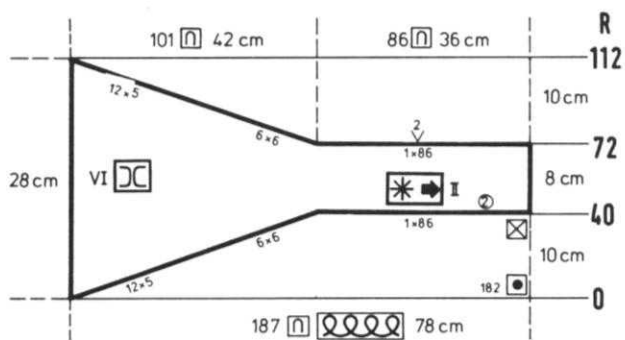
Cast on 99 (105) [114] sts. with color 2 and work 24 rows Stockinette stitch. Hang the hem then change to Norwegian Design. Knit to Row 176.

SHAPE CAP: ON EACH SIDE, bind off 4 sts. 1x, 3 sts. 2x, 2 sts. 4x, 1 st. 15x, 2 sts. 2x, 3 sts. 2x. (4 sts. 1x, 3 sts. 2x, 2 sts. 4x, 1 st. 17x, 2 sts. 2x, 3 sts. 2x). [4 sts. 2x, 3 sts. 2x, 2 sts. 3x, 1 st. 19x, 2 sts. 1x, 3 sts. 3x]. After Row 228 (232) [236] bind off the remaining 13 (13) [14] sts.



FRONT COLLAR & BAND: VI Make 1 reverse 1.

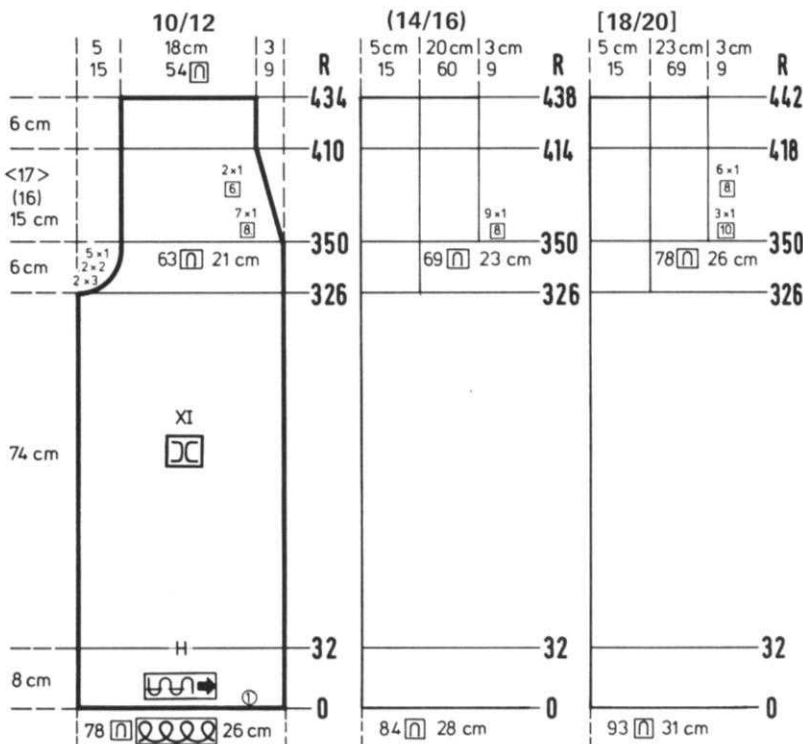
Bring 187 needles into working position, set into Mock Rib Pattern. With color 2, cast on from RIGHT TO LEFT. Work Short Rows. ON OPPOSITE SIDE OF CAM BOX, put into holding position, 182 needles. ON OPPOSITE SIDE OF CAM BOX, bring back into working position, 5 needles 12x, 6 needles 6x, 86 needles 1x. Work even to Row 73. Work Short Rows. ON OPPOSITE SIDE OF CAM BOX, put into holding position, 86 needles 1x, 6 needles 6x, 5 needles 12x. Bring all the needles back into working position and bind off loosely. Work the second section with reverse shaping, casting on from LEFT TO RIGHT.

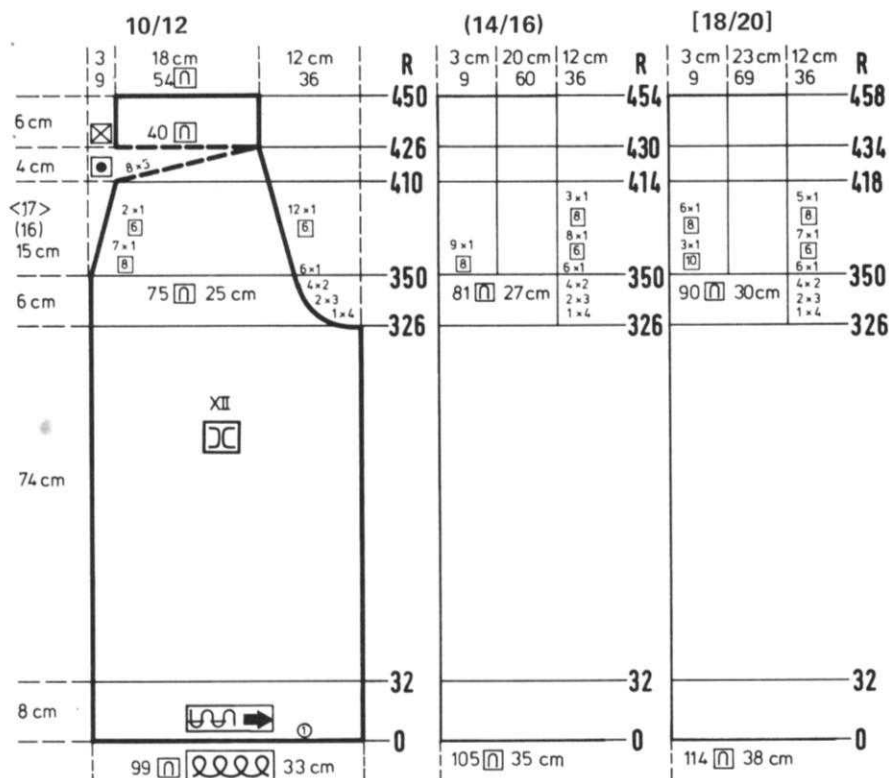


PANTS FRONT: XI Make 1, reverse 1.

Cast on 78 (84) [93] sts. with color 1 and work Stockinette stitch. Knit to Row 32, then hang the hem. Knit to Row 327.

SHAPE CROTCH: Bind off 3 sts. 2x, 2 sts. 2x, 1 st. 5x. After Row 350, ON SIDE EDGE, decrease 1 st. every 8th row 7x, every 6th row 2x. (every 8th row 9x). [every 10th row 3x, every 8th row 6x]. Knit to Row 434 then bind off the remaining 54 (60) [69] sts.





PANTS BACK: XII Make 1, reverse 1.

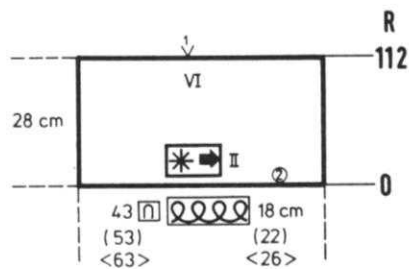
Cast on 99 (105) [114] with color 1 and work Stockinette stitch. Knit to Row 32, hang the hem and knit to Row 326.

SHAPE CENTER BACK: Bind off 4 sts. 1x, 3 sts. 2x, 2 sts. 4x. 1 st. 6x, 1 st. every 6th row 12x AND AT THE SAME TIME, ON SIDE EDGE, after Row 350, decrease 1 st. every 8th row 7x, every 6th row 2x.

(Bind off 4 sts. 1x, 3 sts. 2x, 2 sts. 4x. 1 st. 6x, 1 st. every 6th row 8x, 1 st. every 8th row 3x AND AT THE SAME TIME, ON SIDE EDGE, after Row 350, decrease 1 st. every 8th row 9x).

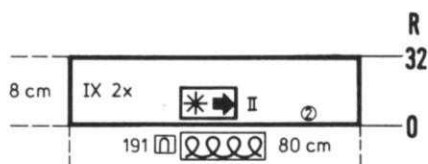
[Bind off 4 sts. 1x, 3 sts. 2x, 2 sts. 4x, 1 st. 6x, 1 st. every 6th row 7x, 1 st. every 8th row 5x AND AT THE SAME TIME, ON SIDE EDGE, after Row 350, decrease 1 st. every 10th row 3x, every 8th row 6x].

After Row 410 (414) [418], work Short Rows. ON OPPOSITE SIDE OF CAM BOX, put into holding position 5 sts. 8x. Bring all the needles back into working position before knitting the next row. Knit to Row 450 (454) [458] then bind off the remaining 54 (60) [69] sts.

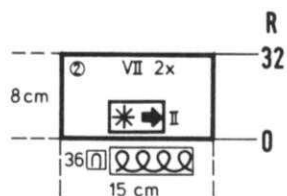


BACK COLLAR: 1.

Bring 43 (53) [63] needles into working position then set into Mock Rib and cast on with color 2. Knit to Row 112, then bind off.



POCKET FLAP: VII Make 2. Bring 36 needles into working position, set into Mock Rib and cast on with color 2 and knit 32 rows, then bind off.



BELT: IX Make 2

Bring 191 needles into working position, set into Mock Rib and cast on with color 2. Knit 32 rows, then bind off.

BE SURE TO NOTIFY US IMMEDIATELY OF ANY CHANGE OF ADDRESS. THE POST OFFICE WILL NOT FORWARD YOUR MAGAZINE TO YOU.

DK 104

WOMAN'S JACKET & PULLOVER

SIZE: 8/10 (12/14) [16/18]
 YARN: Amoretta
 GRAMS: 650 700 750
 TENSION: 8 to 10
 GAUGE: 14 sts. 19 rows = 5 cm (2")

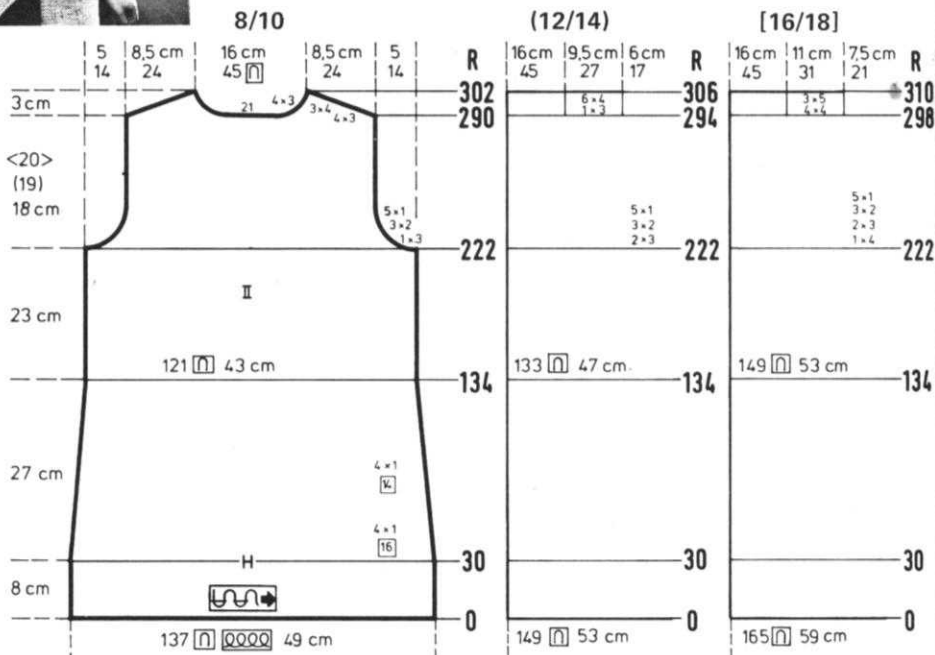
Jacket: Stockinette stitch with Collar, Pocket and Belt in Fisherman's Rib on the knit side. KNITTING machine owners, put the Gate Cam Release Lever of the Ribber to the needle heels. Pullover: Stockinette stitch with bands in K1, P1 Ribbing. Worn on the knit side.



FINISHING: See General Instructions. Sew back sections of shawl collar then attach to fronts and neck edges. Sew on pockets (see picture).

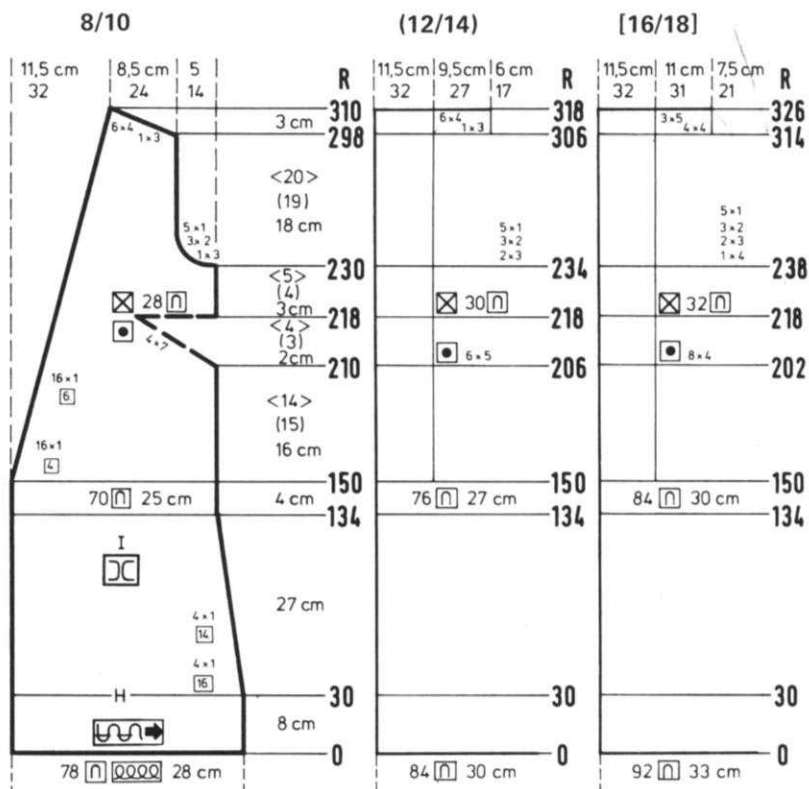
JACKET BACK: II

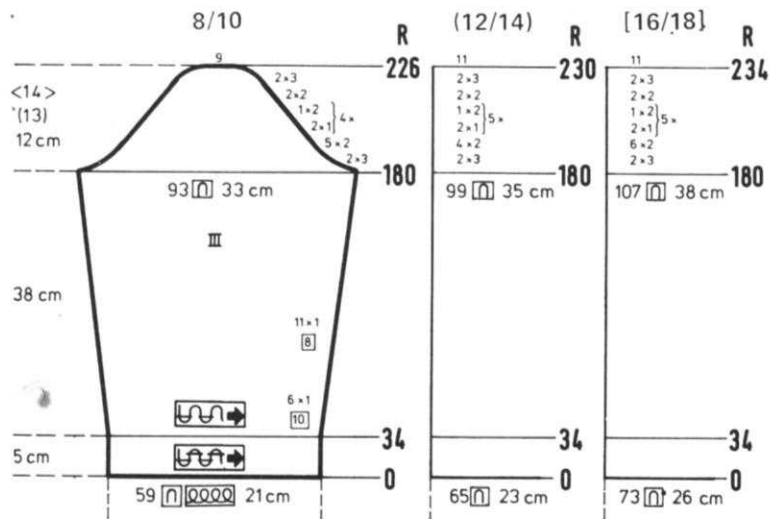
Cast on 137 (149) [165] sts. and work Stockinette stitch. Knit to Row 30, then hang the hem. ON EACH SIDE, decrease 1 st. every 16th row 4x, every 14th row 4x. Knit to Row 222.
 SHAPE ARMHOLE: ON EACH SIDE, bind off 3 sts. 1x, 2 sts. 3x, 1 st. 5x. (3 sts. 2x, 2 sts. 3x, 1 st. 5x). [4 sts. 1x, 3 sts. 2x, 2 sts. 3x, 1 st. 5x].
 Knit to Row 290 (294) [298]. Bind off the center 21 sts. put the needles on the left into holding position and complete the right half first.
 *SHAPE SHOULDER AND NECK AT THE SAME TIME. FOR SHOULDER, bind off 3 sts. 4x, 4 sts. 3x. (3 sts. 1x, 4 sts. 6x). [4 sts. 4x, 5 sts. 3x].
 ON NECK SIDE, for all sizes, bind off 3 sts. 4x. Bring the Cam Box to the left side, turn the Row Counter back to 290 (294) [298] and complete the left half. Follow the instructions from *.



JACKET FRONT: I Make 1, reverse 1.

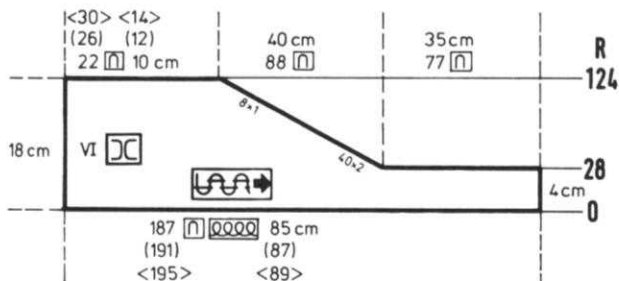
Cast on 78 (84) [92] sts. and work Stockinette stitch. Knit to Row 30, then hang the hem. ON EACH SIDE, decrease 1 st. every 16th row 4x, every 14th row 4x. Knit to Row 150.
 SHAPE FRONT EDGE: Decrease 1 st. every 4th row 16x, every 6th row 16x AND AT THE SAME TIME, work Short Rows for the BUST DART after Row 211 (.07) [203].
 ON OPPOSITE SIDE OF CAM BOX, put into holding position 7 sts. 4x (5 sts. 6x) [4 sts. 8x]. ON OPPOSITE SIDE OF CAM BOX, bring all the needles back into working position before knitting the next row. Knit to Row 230 (234) [238].
 SHAPE ARMHOLE: Bind off 3 sts. 1x, 2 sts. 3x, 1 st. 5x. (3 sts. 2x, 2 sts. 3x, 1 st. 5x). [4 sts. 1x, 3 sts. 2x, 2 sts. 3x, 1 st. 5x].
 SHAPE SHOULDER after Row 298 (306) [314]. Bind off 3 sts. 1x, 4 sts. 6x. (3 sts. 1x, 4 sts. 6x). [4 sts. 4x, 5 sts. 3x].





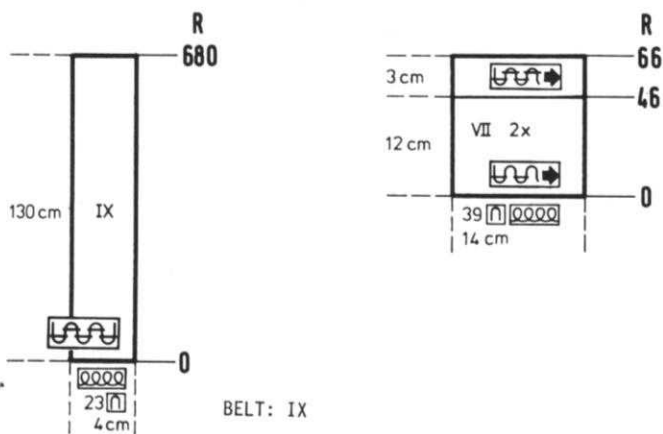
SLEEVE: III

Cast on 59 (65) [73] sts. and work 34 rows K1, P1 Ribbing. Change to Stockinette stitch. ON EACH SIDE, increase 1 st. every 10th row 6x, every 8th row 11x. Knit to Row 180. SHAPE CAP: ON EACH SIDE, bind off 3 sts. 2x, 2 sts. 5x, *1 st. 2x, 2 sts. 1x and REPEAT from * 3x more, 2 sts. 2x, 3 sts. 2x. (3 sts. 2x, 2 sts. 4x, *1 st. 2x, 2 sts. 1x and REPEAT from * 4x more, 2 sts. 2x, 3 sts. 2x). [3 sts. 2x, 2 sts. 6x, *1 st. 2x, 2 sts. 1x, and REPEAT from * 4x more, 2 sts. 2x, 3 sts. 2x]. After Row 226 (230) [234], bind off the remaining 9 (11) [11] sts.



COLLAR: VI Make 1, reverse 1.

Cast on 187 (191) [195] sts. and work Fisherman's Rib. Knit to Row 28. Bind off 77 sts. then on every 2nd row, bind off 2 sts. 40x, 1 st. 8x. After Row 124, bind off the remaining 22 sts. the crochet method for Ribbing.



BELT: IX

Cast on 23 sts. and work 680 rows Fisherman's Rib, then bind off the crochet method for Ribbing.

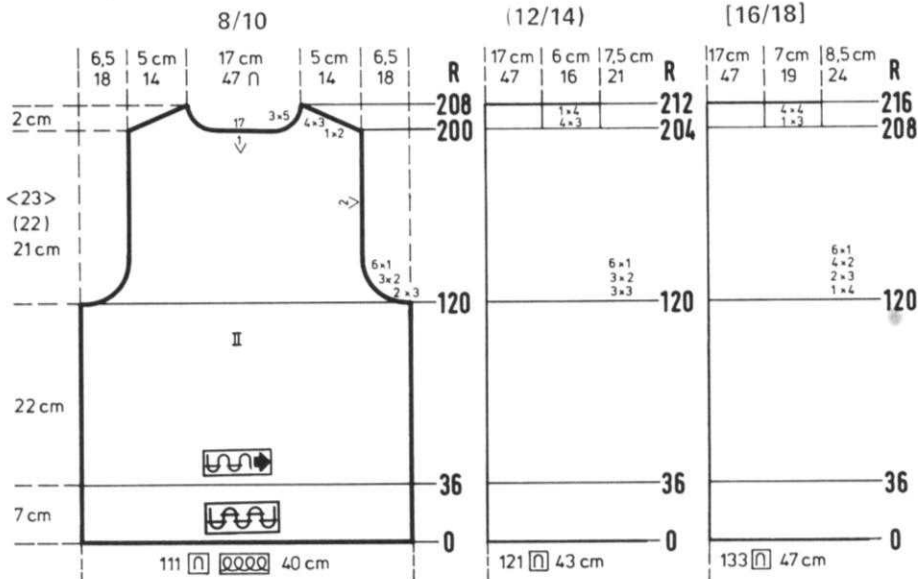
POCKET: VII Make 2.

Cast on 39 sts. and work 46 rows Stockinette stitch. Change to Fisherman's Rib and knit to Row 66 then bind off the crochet method for Ribbing.

Continued

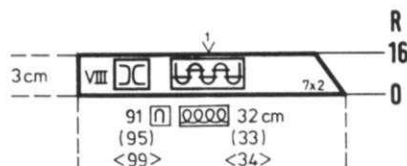
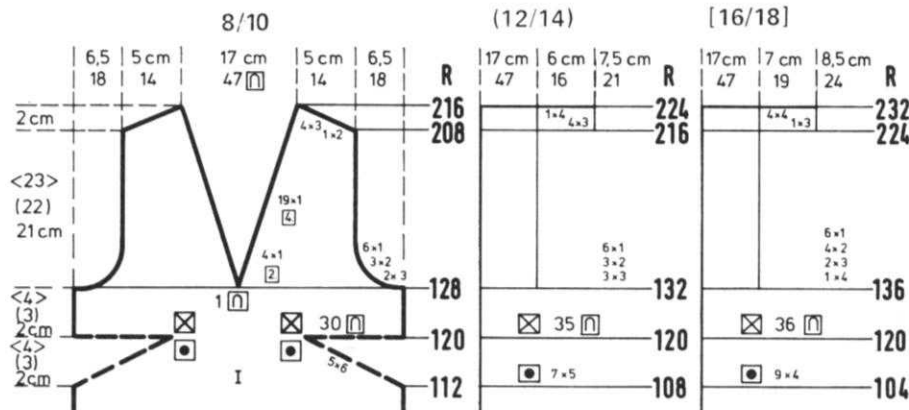
PULLOVER BACK: II

Cast on 111 (121) [133] sts. and work 36 rows K1, P1 Ribbing. Change to Stockinette stitch and knit to Row 120. **SHAPE ARMHOLE: ON EACH SIDE, bind off 3 sts. 2x, 2 sts. 3x, 1 st. 6x. (3 sts. 3x, 2 sts. 3x, 1 st. 6x). [4 sts. 1x, 3 sts. 2x, 2 sts. 4x, 1 st. 6x].** Knit to Row 200 (204) [208]. Bind off the center 17 sts., put the needles on the left into holding position and complete the right half first. ***SHAPE SHOULDER AND NECK AT THE SAME TIME. FOR SHOULDER, bind off 2 sts. 1x, 3 sts. 4x. (3 sts. 4x, 4 sts. 1x). [3 sts. 1x, 4 sts. 4x].** FOR NECK, bind off 5 sts. 3x for all sizes. Bring the Cam Box to the left side, turn the Row Counter back to 200 (204) [208] and complete the left half. Follow the instructions from *.



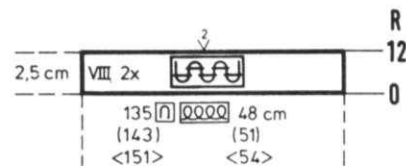
PULLOVER FRONT: I

Work the front section the same as the back to Row 112 (108) [104] then work Short Rows for the BUST DARTS. ON OPPOSITE SIDE OF CAM BOX, put into holding position 6 needles 5x ON EACH SIDE. (5 needles 7x ON EACH SIDE). [4 needles 9x ON EACH SIDE]. Bring all the needles back into working position before knitting the next 2 rows. Knit to Row 128 (132) [136]. **SHAPE ARMHOLE AND NECK: Divide in the center and put the needles on the left into holding position and complete the right half first. *ON NECK SIDE, for all sizes, decrease 1 st. every 2nd row 4x, every 4th row 19x and SHAPE ARMHOLE AT THE SAME TIME - bind off 3 sts. 2x, 2 sts. 3x, 1 st. 6x. (3 sts. 3x, 2 sts. 3x, 1 st. 6x). [4 sts. 1x, 3 sts. 2x, 2 sts. 4x, 1 st. 6x].** **SHAPE SHOULDER after Row 208 (216) [224]. Bind off 2 sts. 1x, 3 sts. 4x. (3 sts. 4x, 4 sts. 1x). [3 sts. 1x, 4 sts. 4x].** Bring the Cam Box to the left side, turn the Row Counter back to 128 (132) [136] and complete the left half. Follow the instructions from *.



PULLOVER NECKBAND: VIII Make 1 reverse 1.

Cast on 91 (95) [99] sts. and work K1, P1 Ribbing. ON EVERY 2nd ROW, decrease 2 sts. 7x. After Row 16, bind off the crochet method for Ribbing.



PULLOVER ARMBANDS: VIII Make 2.

Cast on 135 (143) [151] sts. and work 12 rows K1, P1 Ribbing then bind off the crochet method for Ribbing.

DK 105



WOMAN'S DRESS

SIZE: 8/10 (12/14) [16/18]

YARN: Crocus

GRAMS: 400 450 500

TENSION: 5 to 7

GAUGE:

Stock: 16 sts. 22 rows = 5 cm (2")

Pat: 13 sts. 20 rows = 5 cm (2")

A Holding Position Design with out of work needles that ARE COUNTED in the stitch gauge and instructions. Use the Adjustable Needle Selector. The knit side of stockinette is the right side and the purl side of the pattern is the right side.

FINISHING: See General Instructions. Crochet around sleeve edges and neckline as follows: Work 1 row single crochet then 1 row *ch 3, skip 2 sts., single crochet into next st. REPEAT from * around. TIE: Knit a round cord over 5 needles using Tension 1. KNITTING machine owners, push in the right Control Button. Knit 400 rows, (the empty rows do count).



FRONT: I

Work the front the same as the back to Row 276. ON EACH SIDE, increase 1 st. every 8th row 5X, every 6th row 5X AND AT THE SAME TIME, after Row 334 (328) [324], work Short Rows for the BUST DARTS. ON OPPOSITE SIDE OF CAM BOX, put into holding position, 8 sts. 4x ON EACH SIDE.

(5 sts. 7x ON EACH SIDE).

[4 sts. 9x ON EACH SIDE].

Bring all the needles back into working position before knitting the next 2 rows. Knit to Row 354 (360) [364].

SHAPE ARMHOLE: ON EACH SIDE, bind off

3 sts. 2x, 2 sts. 2x, 1 st. 4x.

(3 sts. 2x, 2 sts. 3x, 1 st. 5x).

[3 sts. 3x, 2 sts. 3x, 1 st. 5x].

AND AT THE SAME TIME, after Row 364

(374) [386], bind off the center 14

sts., put the needles on the left into

holding position and complete the

right half first.

*ON NECK SIDE, for all sizes, bind off

3 sts. 2x, 2 sts. 5x, 1 st. 6x.

SHAPE SHOULDER after Row 430 (440)

[452]. Bind off

3 sts. 5x, 4 sts. 2x.

(3 sts. 2x, 4 sts. 5x).

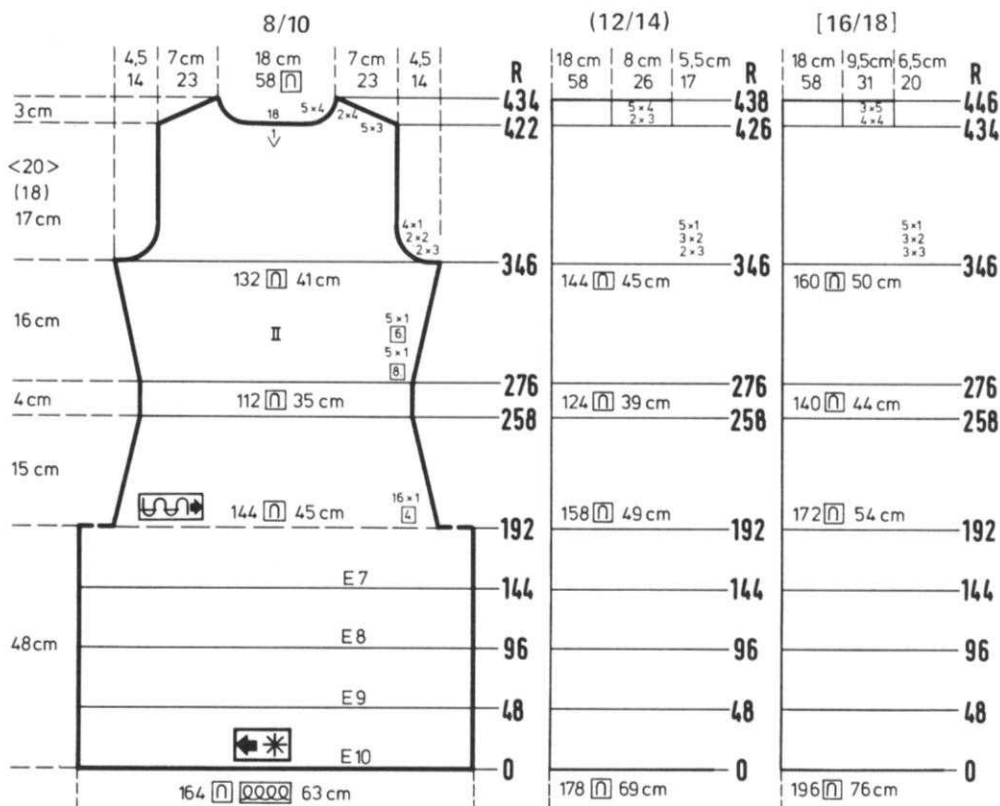
[4 sts. 4x, 5 sts. 3x].

Move the Cam Box to the left side,

turn the Row Counter back to 364

(374) [386] and complete the left half.

Follow the instructions from * and don't forget to complete the armhole shaping.



BACK: II

Bring 164 (178) [196] needles into working position, set into Pattern then cast on. Begin with Tension 10 and knit in Pattern to Row 192, changing the Tensions as shown on the Chart. Knit several rows stockinette stitch with contrast waste yarn and remove the work from the machine. Bring 144 (158) [172] needles into working position, then with knit side of work facing you, hang the sts. held on contrast waste yarn onto these needles doubling the sts. as needed (approximately every 6th and 7th st.) Remove the waste yarn and continue in Stockinette stitch. ON EACH SIDE, decrease 1 st. every 4th row 16x. Knit to Row 276. ON EACH SIDE, increase 1 st. every 8th row 5x, every 6th row 5x. Knit to Row 346.

SHAPE ARMHOLE: ON EACH SIDE, bind off 3 sts. 2x, 2 sts. 2x, 1 st. 4x. (3 sts. 2x, 2 sts. 3x, 1 st. 5x). [3 sts. 3x, 2 sts. 3x, 1 st. 5x]. Knit to Row 422 (426) [434]. Bind off the center 18 sts., put the needles on the left into holding position and complete the right half first.

*SHAPE NECK AND SHOULDER AT THE SAME TIME. For SHOULDER, bind off 3 sts.

5x, 4 sts. 2x.

(3 sts. 2x, 4 sts. 5x).

[4 sts. 4x, 5 sts. 3x].

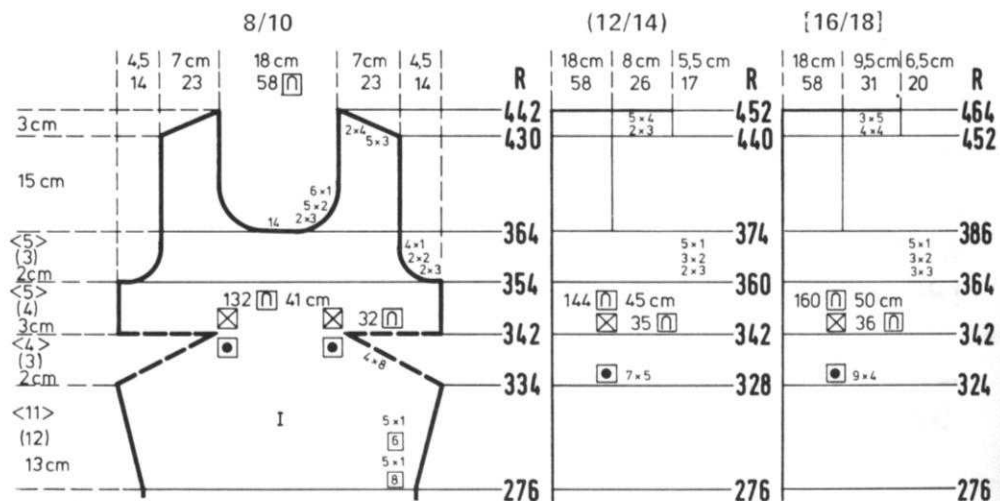
FOR NECK, on all sizes, bind off 4 sts.

5x. Move the Cam Box to the left side,

turn the Row Counter back to 422 (426)

[434] and complete the left half. Follow

the instructions from *.



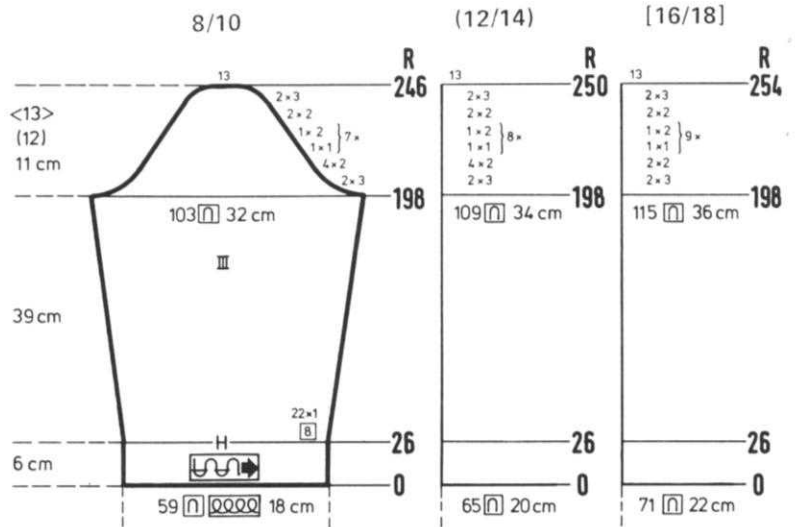
Continued

DK 105 *Continued*

SLEEVE: III

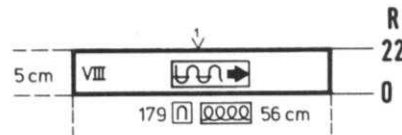
Cast on 59 (65) [71] sts. and work Stockinette stitch. Knit to Row 26, then hang the hem. ON EACH SIDE, increase 1 st. every 8th row 22x. Knit to Row 198.

SHAPE CAP: ON EACH SIDE, bind off 3 sts. 2x, 2 sts. 4x, *1 st. 1x, 2 sts. 1x, and REPEAT from * 6x more, 2 sts. 2x, 3 sts. 2x. (3 sts. 2x, 2 sts. 4x, *1 st. 1x, 2 sts. 1x, and REPEAT from * 7x more, 2 sts. 3x, 3 sts. 2x). [3 sts. 2x, 2 sts. 2x, *1 st. 1x, 2 sts. 1x, and REPEAT from * 8x more, 2 sts. 2x, 3 sts. 2x]. After Row 246 (250) [254] bind off the remaining 13 sts.



NECKBAND: VIII

Cast on 179 sts. and work 22 rows Stockinette stitch then bind off.



are you unhappy with your present knitting machine?

DOES IT REFUSE TO KNIT FANCY DRESS YARNS?

DOES IT JAM UP WHEN YOU TRY TO KNIT LOOPED MOHAIR OR THICK AND THIN YARNS?

DOES IT DROP STITCHES ALL OVER THE PLACE?

ARE YOU CONTINUALLY HAVING TROUBLE WITH AWKWARD, CUMBERSOME WEIGHTS?

ARE YOU UNABLE TO MAKE A LARGE GARMENT WITH BULKY YARNS?

DO YOU HAVE TO SELECT PATTERN STITCHES MANUALLY?

DO YOU HAVE TO LATCH YOUR RIBBING BY HAND?

IF YOU ARE HAVING ANY OF THESE PROBLEMS YOU SHOULD TRADE UP TO A NEW FANTASTIC PUSH BUTTON KNITTING WITH COORDINATED RIBBER AND ENJOY KNITTING WITH THE WORLDS FINEST, MOST VERSATILE AND MOST AUTOMATIC KNITTER.

Send for your color brochure to: KNITKING — 1128 Crenshaw Blvd.,
Los Angeles, California 90019

DK 106

WOMAN'S SKIRT & JACKET

SIZE: 10/12 (14/16) [18/20]
 YARN: Beatrice
 GRAMS: 900 950 1000
 TENSION: 5 to 7
 GAUGE:
 Stock: 16 sts. 22 rows = 5 cm (2")
 Pat: 19 sts. 20 rows = 5 cm (2")



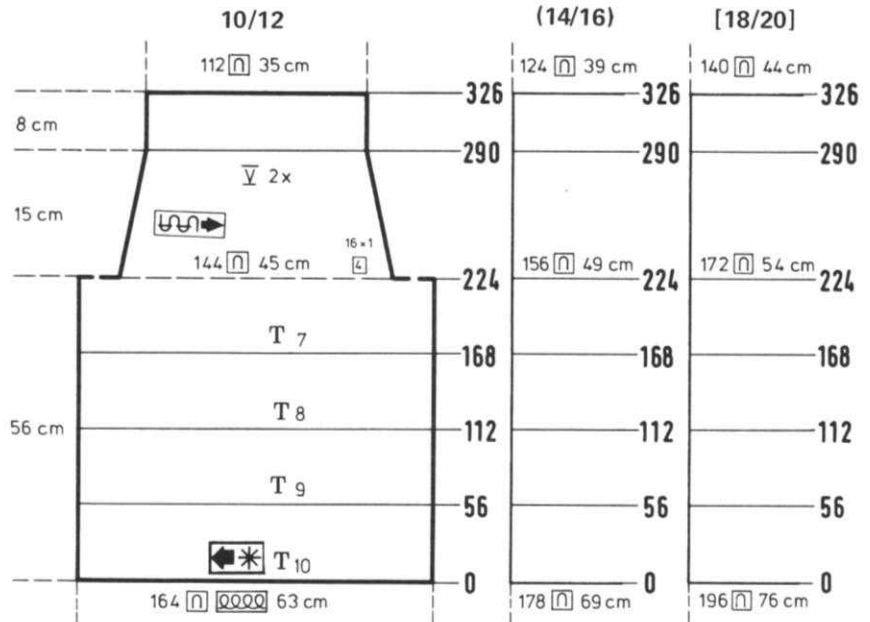
FINISHING: See General Instructions. Sew on Collar and sew cuffs to sleeve (see picture). Make 5 covered buttons or you can make buttons by working a single crochet over bone rings, turn the crochet to the inside of ring, cut yarn leaving a long end. Thread tapestry needle with end of yarn then sew around the sts. in the center and pull up tight. Do not cut yarn but use the end to sew button to jacket.



Skirt: Holding Position Design with out of work needles that ARE COUNTED in the stitch gauge and instructions. Follow the Line Drawing, and change Tensions as shown on the Chart. KNITTING machine owners use the Adjustable Needle Selector. The purl side of Pattern is the right side, the knit side of Stockinette is the right side. Jacket: Stockinette stitch with collar and cuffs in Pattern.

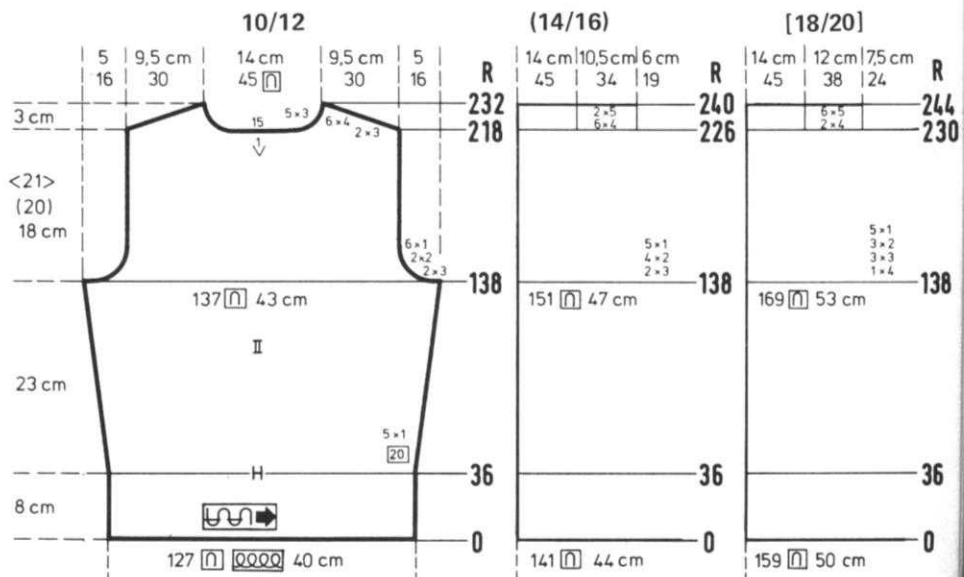
SKIRT: V Make 2 sections.

Bring 164 (178) [196] needles into working position, set into Pattern then cast on over the remaining needles in work. Begin with Tension 10 and work in Pattern to Row 224, changing the Tensions as shown on the Chart. Knit several rows using contrast waste yarn then remove the work from the machine. Bring 144 (156) [172] needles into working position and with knit side facing you, hang the sts. held on waste yarn back onto these needles, decreasing as needed (2 sts. on every 7th needle). Continue in Stockinette stitch with Tension 7 and ON EACH SIDE, decrease 1 st. every 4th row 16x. Knit to Row 326 then bind off the remaining 112 (124) [140] sts.



JACKET BACK: II

Cast on 127 (141) [159] sts. and work Stockinette stitch. Knit to Row 36 then hang the hem. ON EACH SIDE, increase 1 st. every 20th row 5x. Knit to Row 138. SHAPE ARMHOLE: ON EACH SIDE, bind off 3 sts. 2x, 2 sts. 2x, 1 st. 6x. (3 sts. 2x, 2 sts. 4x, 1 st. 5x). [4 sts. 1x, 3 sts. 3x, 2 sts. 3x, 1 st. 5x]. Knit to Row 218 (226) [230]. Bind off the center 15 sts., put the needles on the left into holding position and complete the right half first. *SHAPE SHOULDER AND NECK AT THE SAME TIME. For SHOULDER, bind off 3 sts. 2x, 4 sts. 6x. (4 sts. 6x, 5 sts. 2x). [4 sts. 2x, 5 sts. 6x]. FOR NECK, on all sizes, bind off 3 sts. 5x. Bring the Cam Box to the left side, turn the Row Counter back to 218 (226) [230] and complete the left half. Follow the instructions from *.



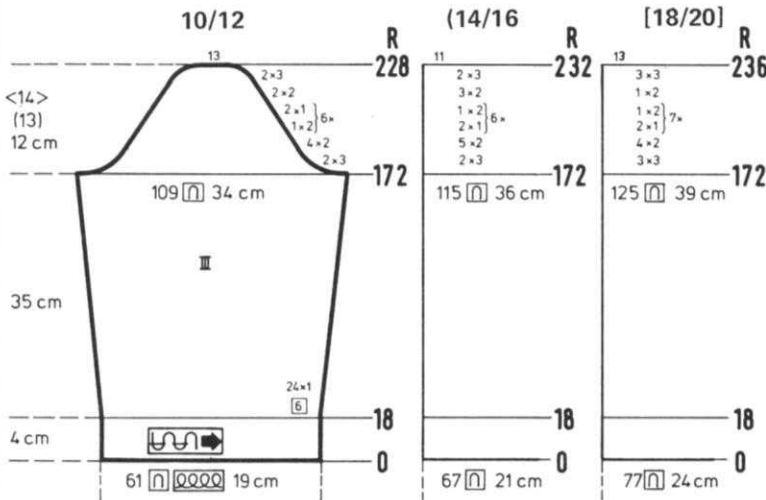
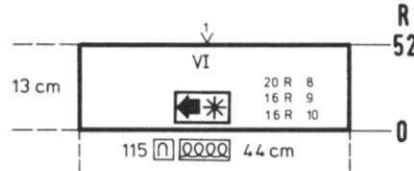
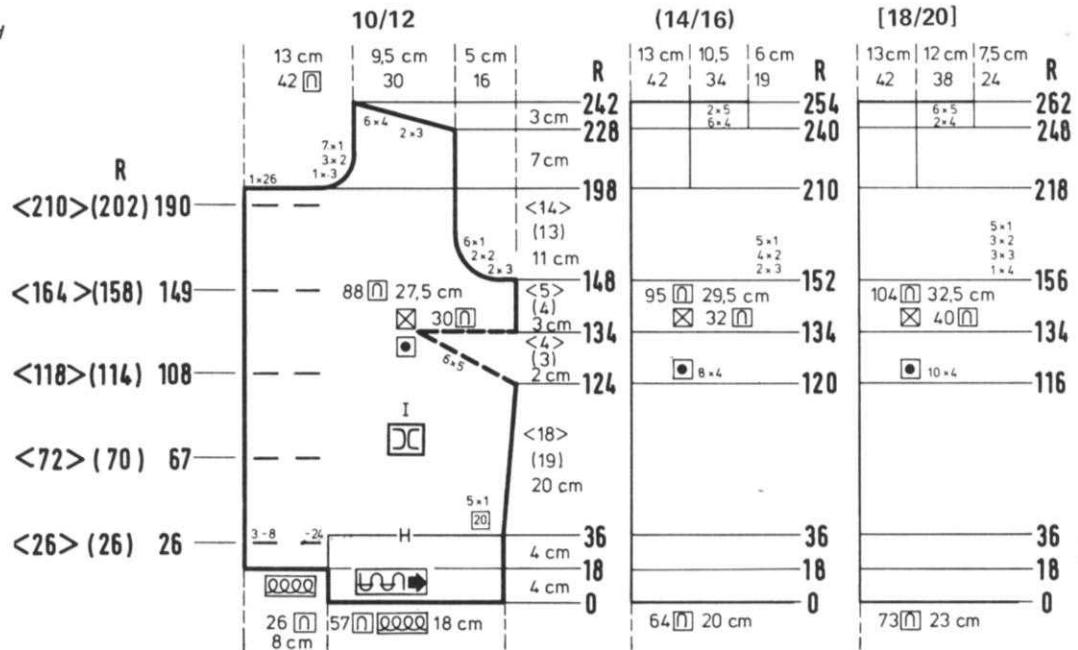
Continued

DK 106

Continued

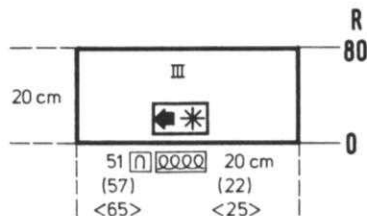
JACKET FRONT: I Make 1, reverse 1 and omit buttonholes.

Cast on 57 (64) [73] sts. and work Stockinette stitch. Knit to Row 18, then on the LEFT SIDE (right for 2nd section) cast on 26 sts. (use a separate yarn to cast on). Knit to Row 26, then make BUTTONHOLES over needles 3 to 8 and 19 to 24 counting from the left edge. The following BUTTONHOLES are made over the same needles after Rows shown on Chart FOR YOUR SIZE. After Row 36, hang the original cast-on stitches onto the machine to form the hem. ON SIDE EDGE, increase 1 st. every 20th row 5x. Knit to Row 123 (119) [115] then work Short Rows for the BUST DART. ON OPPOSITE SIDE OF CAM BOX, put into holding position 5 sts. 6x (4 sts. 8x) [4 sts. 10x]. Bring all the needles back into working position before knitting the next row. Knit to Row 148 (152) [156]. SHAPE ARMHOLE: Bind off 3 sts. 2x, 2 sts. 2x, 1 st. 6x. (3 sts. 2x, 2 sts. 4x, 1 st. 5x). [4 sts. 1x, 3 sts. 3x, 2 sts. 3x, 1 st. 5x]. Knit to Row 197 (209) [217]. Bind off 26 sts. for NECK, then ON NECK SIDE, bind off 3 sts. 1x, 2 sts. 3x, 1 st. 7x and SHAPE SHOULDER after Row 228 (240) [248] by binding off 3 sts. 2x, 4 sts. 6x. (4 sts. 6x, 5 sts. 2x). [4 sts. 2x, 5 sts. 6x].



SLEEVE: III

Cast on 61 (67) [77] sts. and work Stockinette stitch. Knit to Row 18. ON EACH SIDE, increase 1 st. every 6th row 24x. Knit to Row 172. SHAPE CAP: ON EACH SIDE, bind off 3 sts. 2x, 2 sts. 4x *2 sts. 1x, 1 st. 2x and REPEAT from * 5x more, 2 sts. 2x, 3 sts. 2x. (3 sts. 3x, 2 sts. 4x, *1 st. 2x, 2 sts. 1x and REPEAT from * 5x more, 3 sts. 2x, 2 sts. 5x). [3 sts. 3x, 2 sts. 4x, *1 st. 2x, 2 sts. 1x and REPEAT from * 6x more, 2 sts. 1x, 3 sts. 3x]. After Row 228 (232) [236], bind off the remaining 13 (11) [13] sts.



DK 107

WOMAN'S JACKET

SIZE: 7/8 (10/12) 14/16]
 YARN: Allegro
 GRAMS: 400 450 500
 TENSION: 7 to 9
 GAUGE: Pat: 13 sts. 32 rows = 5 cm (2").

Holding Position Design using Wheel W2.
 Follow the Line Drawing. The bands
 are 1 x 1 Ribbing. The Purl side is the
 right side.

FINISHING: See General Instructions.

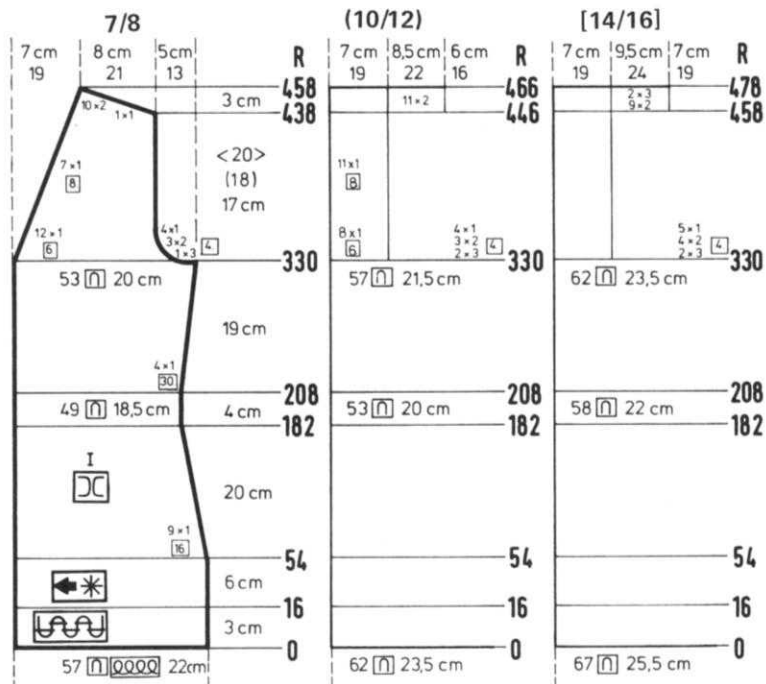
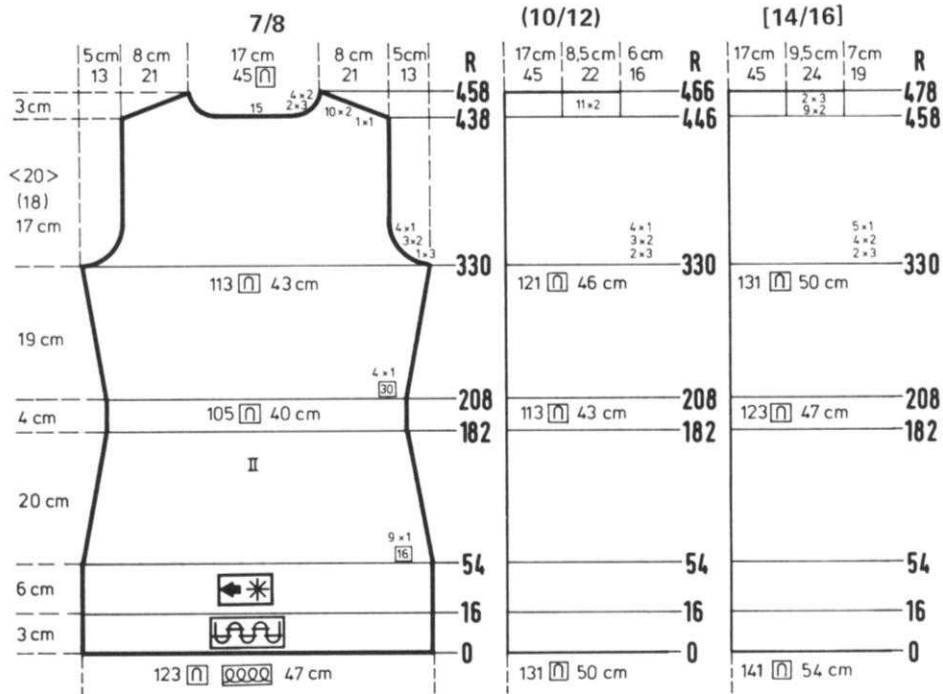


BACK: II

Cast on 123 (131) [141] sts. and work
 16 rows K1, P1 Ribbing. Continue
 with Pattern. Knit to Row 54.
 ON EACH SIDE, decrease 1 st. every
 16th row 9x. Knit to Row 208.
 ON EACH SIDE, increase 1 st. every
 30th row 4x. Knit to Row 330.
 SHAPE ARMHOLE: ON EACH SIDE, bind off
 3 sts. 1x, 2 sts. 3x, 1 st. 4x.
 (3 sts. 2x, 2 sts. 3x, 1 st. 4x).
 [3 sts. 2x, 2 sts. 4x, 1 st. 5x].
 Knit to Row 438 (446) [458]. Bind
 off the center 15 sts., put the
 needles on the left into holding
 position and complete the right half
 first.
 *SHAPE SHOULDER AND NECK AT THE SAME
 TIME. ON SHOULDER SIDE, bind off
 1 st. 1x, 2 sts. 10x.
 (2 sts. 11x).
 [2 sts. 9x, 3 sts. 2x]
 and ON NECK SIDE, bind off for all
 sizes, 3 sts. 2x, 2 sts. 4x.
 Bring the needles on the left into
 working position, knit 1 row in Pat-
 tern to the left side, turn the Row
 Counter back to 438 (446) [458] and
 complete the left half. Follow the
 instructions from *.

FRONT: I Make 1, reverse 1.

Cast on 57 (62) [67] sts. and
 work 16 rows K1, P1 Ribbing. Change
 to Pattern and knit to Row 54. ON
 SIDE EDGE, decrease 1 st. every 16th
 row 9x. Knit to Row 208. ON SIDE
 EDGE, increase 1 st. every 30th row
 4x. Knit to Row 330.
 SHAPE NECK AND ARMHOLE AT THE SAME
 TIME. ON NECK SIDE, decrease 1 st.
 every 6th row 12x (8x) [8x], every
 8th row 7x (11x) [11x]. FOR ARMHOLE,
 on every 4th row, bind off
 3 sts. 1x, 2 sts. 3x, 1 st. 4x.
 (3 sts. 2x, 2 sts. 3x, 1 st. 4x).
 [3 sts. 2x, 2 sts. 4x, 1 st. 5x].
 SHAPE SHOULDER after Row 438 (446)
 [458], bind off 1 st. 1x, 2 sts. 10x.
 (2 sts. 11x).
 [2 sts. 9x, 3 sts. 2x].



Continued

DK 107

Continued

SLEEVE: II

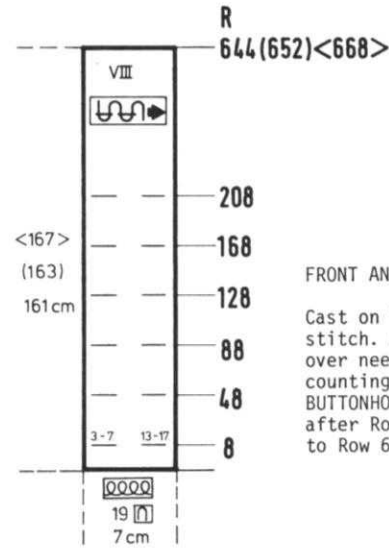
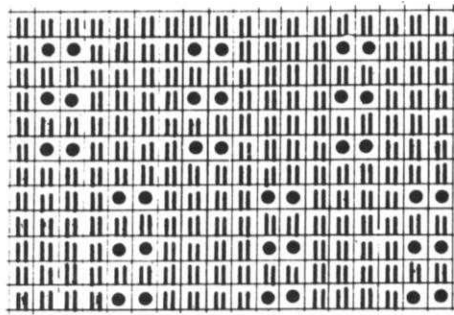
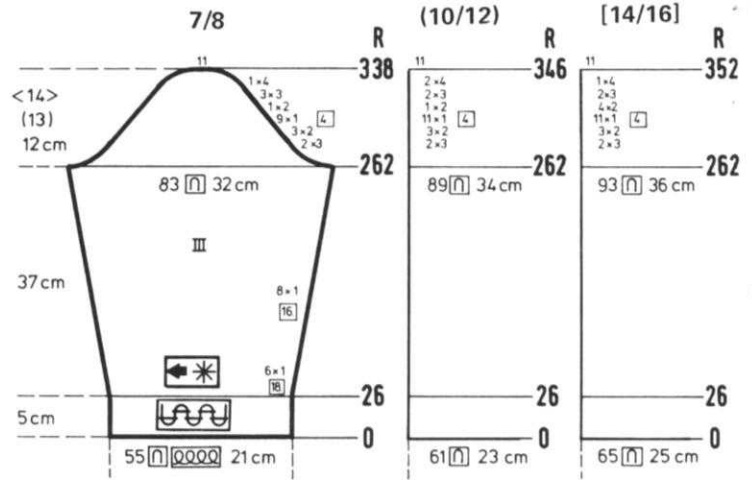
Cast on 55 (61) [65] sts. and work 26 rows K1, P1 Ribbing. Change to Pattern and ON EACH SIDE, increase 1 st. every 18th row 6x, every 16th row 8x. Knit to Row 262.

SHAPE CAP: ON EACH SIDE, on EVERY 4th row, bind off 3 sts. 2x, 2 sts. 3x, 1 st. 9x, 2 sts. 1x, 3 sts. 3x, 4 sts. 1x.

(3 sts. 2x, 2 sts. 3x, 1 st. 11x, 2 sts. 1x, 3 sts. 2x, 4 sts. 2x).

[3 sts. 2x, 2 sts. 3x, 1 st. 11x, 2 sts. 4x, 3 sts. 2x, 4 sts. 1x].

After Row 338 (346) [352], bind off the remaining 11 sts.



FRONT AND NECK BAND: IX

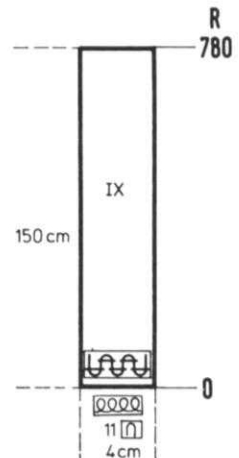
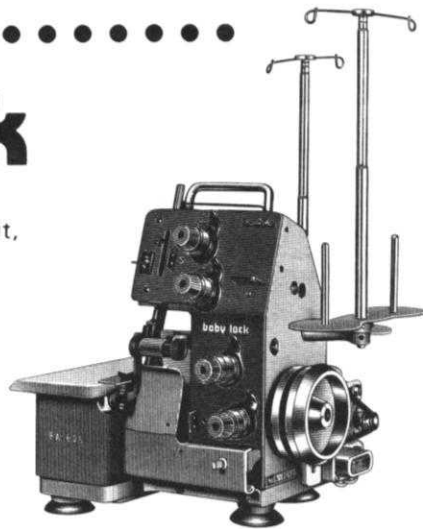
Cast on 19 sts. and work Stockinette stitch. After Row 8 make BUTTONHOLES over needles 3 to 7 and 13 to 17 counting from the left edge. Make BUTTONHOLES over the same needles after Rows shown on the Chart. Knit to Row 644 (652) [668]. Bind off.

baby lock

MODEL NO. 605. Fabulous Cut, Sew and Overlock machine. Perfect for the entire Family. List Price **\$349.00**

MODEL NO. 405. New Style Cut and Overlock Machine. Specially for knit materials. List Price: **\$329.00**
(California residents add Sales Tax)

Shipping charges: F.O.B. Los Angeles



BELT: IX

Cast on 11 sts. and K1, P1 Ribbing to Row 780, then bind off the crochet method for Ribbing.

HP 108

MAN'S SLEEVELESS PULLOVER

SIZE: 34/36 (38/40) [42/44]
 YARN: Allegro
 GRAMS:
 Color 1 200 250 250
 Color 2 100 150 150
 TENSION: 5 to 7
 GAUGE: 15 sts. 23 rows = 5 cm (2")

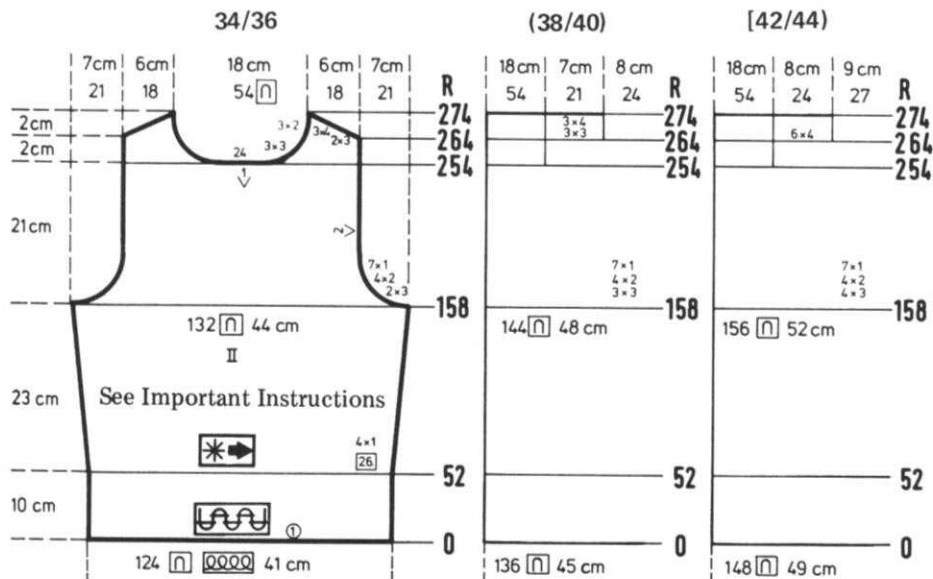
Norwegian Design. Follow the Line Drawing. Bands: K1, P1 Ribbing. Worn on the knit side.

FINISHING: See General Instructions.



IMPORTANT INSTRUCTIONS

The Norwegian Design using 2 colors is a repeat of 20 rows Stockinette stitch and 6 rows Norwegian Design that follows the Line Drawing. After Row 52, change to Stockinette stitch and color 2, *knit 20 rows Stockinette stitch then 6 rows Norwegian Design. REPEAT from * after Rows 78, 104, 130. After Row 156, knit 2 rows Stockinette stitch. After Row 158, change to Color 1 and begin the Armhole Shaping and after Row 160, work the **6 rows Norwegian Design followed by 20 rows Stockinette stitch and REPEAT from ** after Rows 186, 212, 238. (See Picture). After Row 264, shape shoulder and continue in Stockinette stitch with Color 1.



FRONT: I

Work the front the same as the back to Row 158. Divide in the center, put the needles on the left into holding position and complete the right half first.

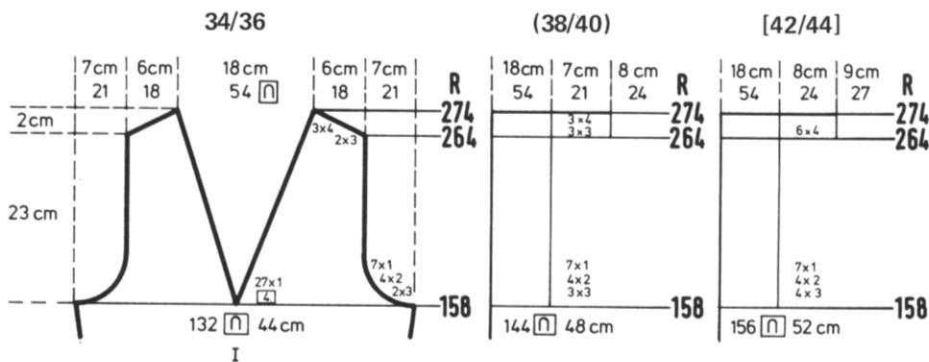
*SHAPE NECK AND ARMHOLE AT THE SAME TIME. FOR NECK, ON ALL SIZES, decrease 1 st. every 4th row 27x. FOR ARMHOLE, bind off 3 sts. 2x, 2 sts. 4x, 1 st. 7x. (3 sts. 3x, 2 sts. 4x, 1 st. 7x). [3 sts. 4x, 2 sts. 4x, 1 st. 7x].

SHAPE SHOULDER after Row 264, bind off 3 sts. 2x, 4 sts. 3x.

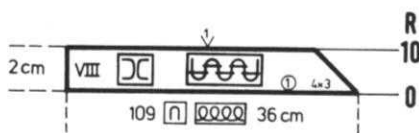
(3 sts. 3x, 4 sts. 3x).

[4 sts. 6x].

Bring the needles on the left into working position, knit 1 row in Pattern to the left side, turn the Row Counter back to 158 and complete the left half. Follow the instructions from *.

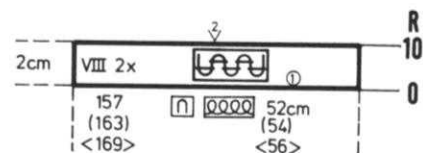


I



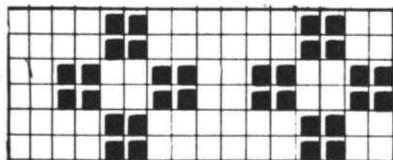
NECKBAND: VIII Make 1, reverse 1

Cast on 109 sts. with color 1 and work K1, P1 Ribbing. ON EVERY 2nd Row, on the right (left for 2nd section) decrease 3 sts. 4x. After Row 10, bind off all sts. the crochet method for Ribbing.



ARBAND: VIII Make 2.

Cast on 157 (163) [169] sts. with color 1 and work 10 rows K1, P1 Ribbing, then bind off the crochet method for Ribbing.



HP 110



MAN'S SLEEVELESS PULLOVER

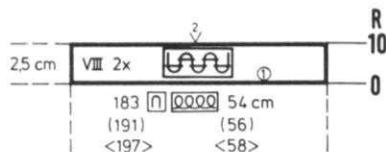
SIZE: 36/38 (40/42) 44/46]
 YARN: Beatrice
 GRAMS:
 Color 1 200 250 300
 Color 2 50 50 50
 Color 3 50 50 50
 TENSION: 7 to 9
 GAUGE: 16 sts. 21 rows = 5 cm (2")

Stockinette stitch with color points as shown on the Chart. Worn on the knit side. Bands are 1 x 1 Ribbing.

FINISHING: See General Instructions.

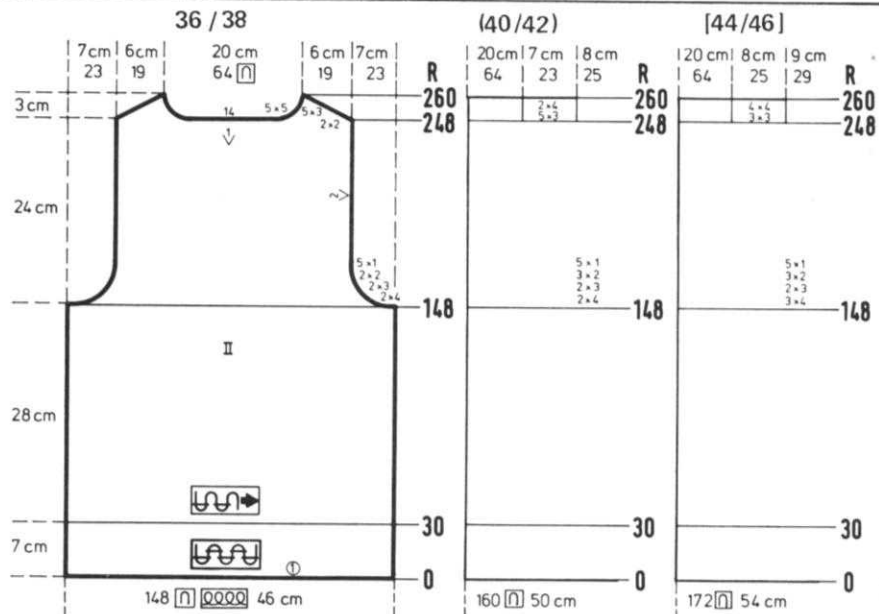
FRONT: I

Cast on 148 (160) [172] sts. with color 1 and work 30 rows K1, P1 Ribbing. Change to Stockinette stitch. Knit to Row 35. Work Short Rows. ON THE RIGHT SIDE, put into holding position, 4 needles 25x. Bring all the needles back into working position and knit 1 row. Put the Row Counter back to 34. ON THE LEFT SIDE, put 144 (156) [168] needles into holding position and with color 2, knit 2 rows. Bring back into working position, 4 needles 22x, change to color 3 and bring back into working position 4 needles 2x. Bring all the needles back into working position and continue with color 1. Follow the Chart for the 2nd and 3rd Color Points, working in the same manner as the first one and AT THE SAME TIME, after Row 148, SHAPE ARMHOLE: ON EACH SIDE, bind off 4 sts. 2x, 3 sts. 2x, 2 sts. 2x, 1 st. 5x.
 (4 sts. 2x, 3 sts. 2x, 2 sts. 3x, 1 st. 5x).
 [4 sts. 3x, 3 sts. 2x, 2 sts. 3x, 1 st. 5x].
 Knit to Row 214, bind off the center 12 sts., put the needles on the left into holding position and complete the right half first.
 *ON NECK SIDE, bind off for all sizes, 4 sts. 2x, 3 sts. 2x, 2 sts. 2x, 1 st. 8x and SHAPE SHOULDER after Row 248 by binding off 2 sts. 2x, 3 sts. 5x. (3 sts. 5x, 4 sts. 2x).
 [3 sts. 3x, 4 sts. 4x].
 Move the Cam Box to the left side, turn the Row Counter back to 214 and complete the left half. Follow the instructions from *.



ARBANDS: VIII Make 2.

Cast on 183 (191) [197] sts. with color 1 and work 10 rows K1, P1 Ribbing then bind off the crochet method for Ribbing.



BACK: II

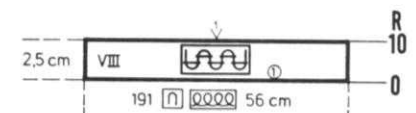
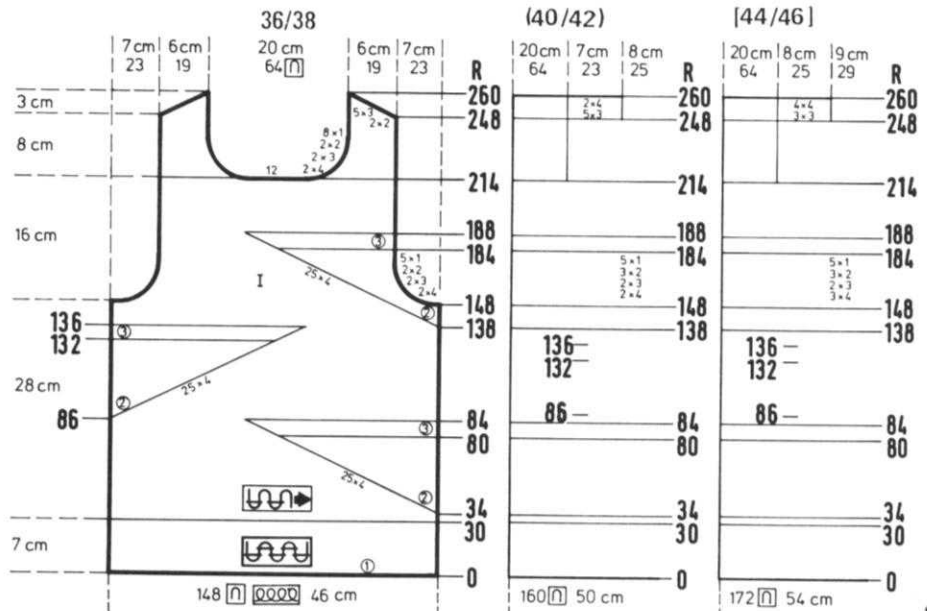
Cast on 148 (160) [172] sts. with color 1 and work 30 rows K1, P1 Ribbing. Change to Stockinette stitch and knit to Row 148.
 SHAPE ARMHOLE: ON EACH SIDE, bind off 4 sts. 2x, 3 sts. 2x, 2 sts. 2x, 1 st. 5x.
 (4 sts. 2x, 3 sts. 2x, 2 sts. 3x, 1 st. 5x).
 [4 sts. 3x, 3 sts. 2x, 2 sts. 3x, 1 st. 5x].
 Knit to Row 248. Bind off the center 14 sts., put the needles on the left

into holding position and complete the right half first.

*SHAPE SHOULDER AND NECK AT THE SAME TIME. FOR SHOULDER, bind off 2 sts. 2x, 3 sts. 5x. (3 sts. 5x, 4 sts. 2x). [3 sts. 3x, 4 sts. 4x].

FOR NECK, on all sizes, bind off 5 sts. 5x.

Move the Cam Box to the left side, turn the Row Counter back to 248 and complete the left half. Follow the instructions from *.



NECKBAND: VIII

Cast on 191 sts. with color 1 and work 10 rows K1, P1 Ribbing, then bind off the crochet method for Ribbing.

HP 111

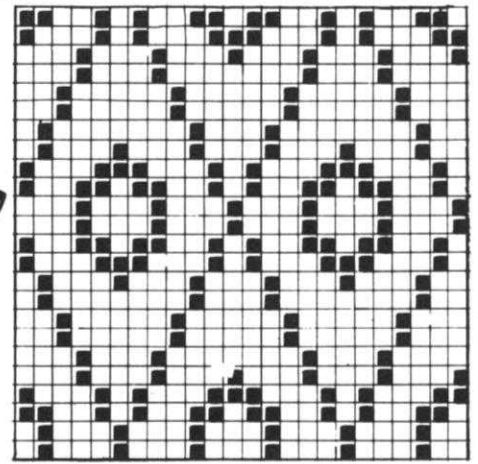
MAN'S SLEEVELESS PULLOVER

SIZE: 34/36 (38/40) [42/44]
 YARN: Beatrice
 GRAMS:
 Color 1 200 250 300
 Color 2 150 150 150
 TENSION: 7 to 9
 GAUGE: 15 sts. 20 rows = 5 cm (2")



K624

■ Color 2
 □ Color 1

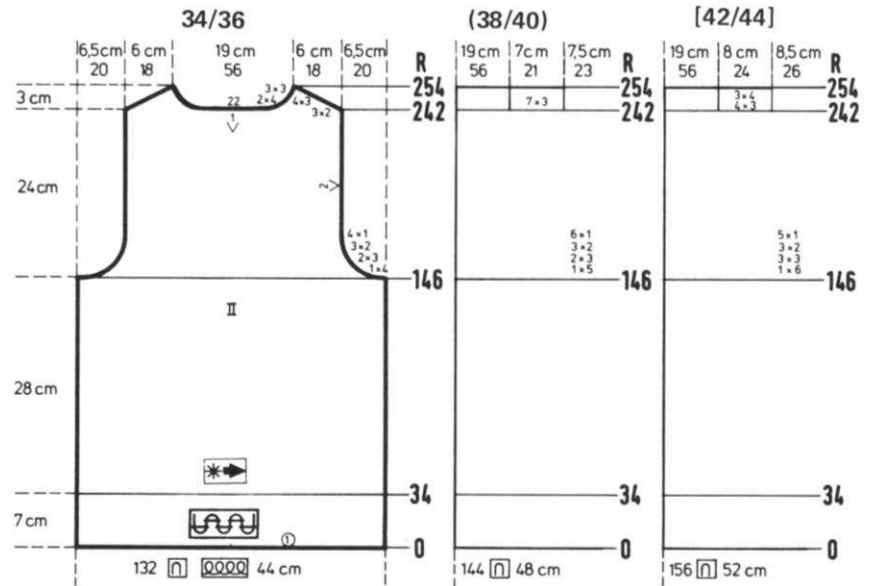


Norwegian Design worn on the knit side with bands in 1 x 1 Ribbing. Follow the Line Drawing or use JAC 40 and Pattern No. K624.

FINISHING: See General Instructions.

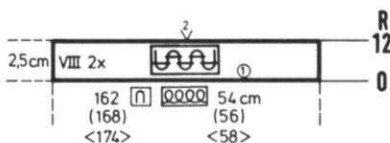
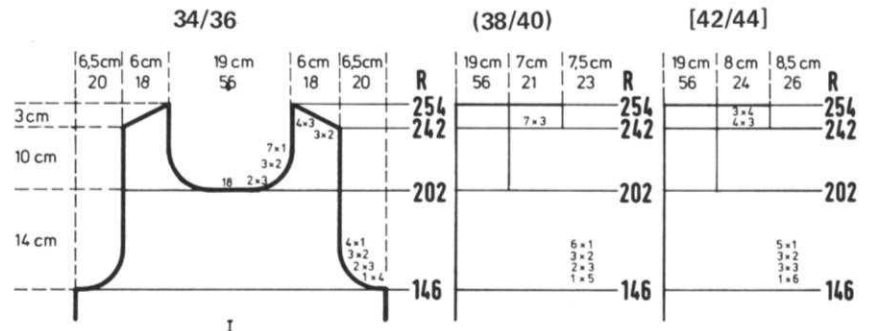
BACK: II

Cast on 132 (144) [156] sts. with color 1 and work 34 rows K1, P1 Ribbing. Change to the Norwegian Design. Knit to Row 146.
 SHAPE ARMHOLE: ON EACH SIDE, bind off 4 sts. 1x, 3 sts. 2x, 2 sts. 3x, 1 st. 4x.
 (5 sts. 1x, 3 sts. 2x, 2 sts. 3x, 1 st. 6x).
 [6 sts. 1x, 3 sts. 3x, 2 sts. 3x, 1 st. 5x].
 Knit to Row 242. Bind off the center 22 sts., put the needles on the left into holding position and complete the right half first.
 *SHAPE SHOULDER AND NECK AT THE SAME TIME. FOR SHOULDER bind off 2 sts. 3x, 3 sts. 4x.
 (3 sts. 7x).
 [3 sts. 4x, 4 sts. 3x].
 FOR NECK, on all sizes, bind off 4 sts. 2x, 3 sts. 3x.
 Bring the needles on the left into working position, knit 1 row in Pattern to the left side, turn the Row Counter back to 242 and complete the left half. Follow the instructions from *.



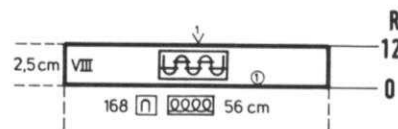
FRONT: I

Work the front the same as the back to Row 202. Bind off the center 18 sts., put the needles on the left into holding position and complete the right half first.
 *ON NECK SIDE, for all sizes, bind off 3 sts. 2x, 2 sts. 3x, 1 st. 7x.
 SHAPE SHOULDER after Row 242. Bind off 2 sts. 3x, 3 sts. 4x.
 (3 sts. 7x).
 [3 sts. 4x, 4 sts. 3x].
 Bring the needles on the left into working position, knit 1 row in Pattern to the left side, turn the Row Counter back to 202 and complete the left half. Follow the instructions from *.



ARMBANDS: VIII Make 2.

Cast on 162 (168) [174] sts. with color 1 and work 12 rows K1, P1 Ribbing then bind off the crochet method for Ribbing.



NECKBAND: VIII

Cast on 168 sts. with color 1 and work 12 rows K1, P1 Ribbing then bind off the crochet method for Ribbing.

HP 112

MAN'S CARDIGAN

SIZE: 34/36 (38/40) [42/44]
 YARN: Beatrice
 GRAMS: 700 750 800
 TENSION: 6 to 8
 GAUGE:
 Pattern: 16 sts. 42 rows = 5 cm (2")

A Holding Position Design using Wheel 3, combined with Fisherman's Rib on the Purl side. Follow the Line Drawings and be sure to read the IMPORTANT INSTRUCTIONS. The Purl side is the right side. Bands are 1 x 1 Ribbing.



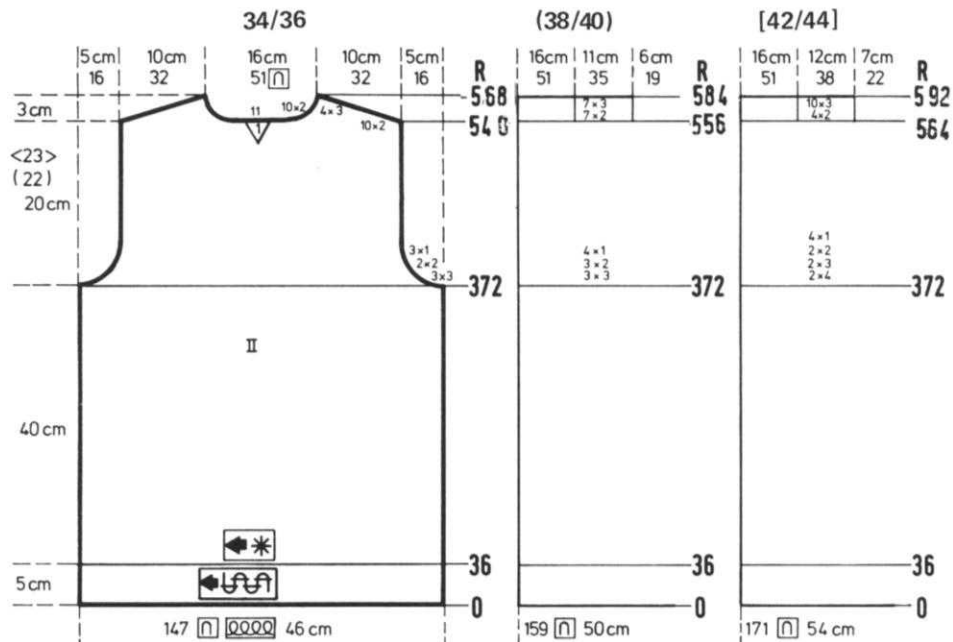
FINISHING: See General Instructions.

IMPORTANT INSTRUCTIONS: There are 100 rows to a complete Pattern Set. After knitting 36 rows Fisherman's Rib for the bands, transfer the Ribber sts. to the main machine. *Follow the Line Drawing for 82 rows Holding Position Design. Bring all the needles into work and knit 1 row to the left side. Transfer every other stitch to the Ribber and set your machine for Fisherman's Rib on the purl side; (KNITTING machine owners, put the Gate Cam Release Lever of the Knitter to the needle heels. Knit 17 rows Fisherman's Rib. Transfer the Ribber sts. to the main machine and REPEAT from *. (See picture).

84-100

83

79-82
 77-78
 73-76
 71-72
 67-70
 65-60
 61-64
 59-60
 55-58
 53-54
 49-52
 47-48
 43-46
 41-42
 37-40
 35-36
 31-34
 29-30
 25-28
 23-24
 19-22
 17-18
 13-16
 11-12
 7-10
 5-6
 1-4



BACK: I Be sure to read Important Instructions above.

Cast on 147 (159) [171] sts. and work 36 rows Fisherman's Rib. Change to Pattern. Knit to Row 372.

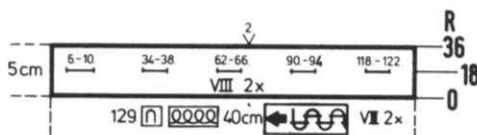
SHAPE ARMHOLE: ON EACH SIDE, bind off 3 sts. 3x, 2 sts. 2x, 1 st. 3x. (3 sts. 3x, 2 sts. 3x, 1 st. 4x) [4 sts. 2x, 3 sts. 2x, 2 sts. 2x, 1 st. 4x].

Knit to Row 540 (556) [564]. Bind off the center 11 sts., put the needles on the left into holding position and complete the right half first.

*SHAPE SHOULDER AND NECK AT THE SAME TIME: For SHOULDER, bind off 2 sts. 10x, 3 sts. 4x. (2 sts. 7x, 3 sts. 7x). [2 sts. 4x, 3 sts. 10x].

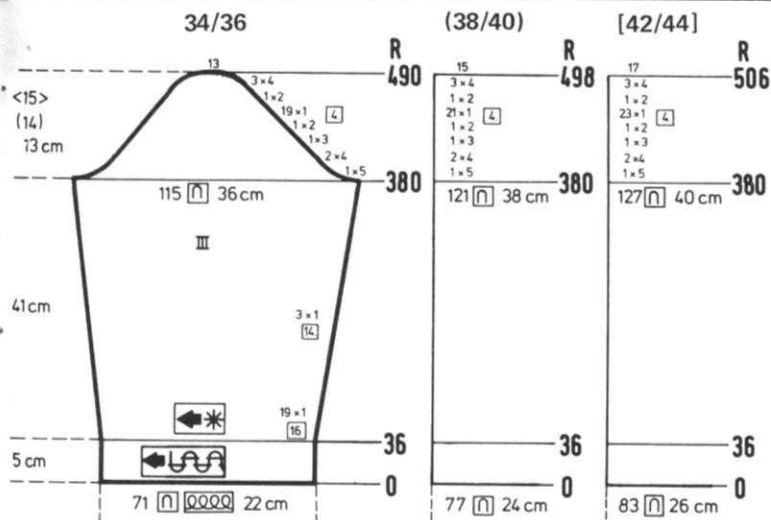
FOR NECK, on all sizes, bind off 2 sts. 10x.

Bring the needles on the left into working position, knit 1 row in Pattern to the left side, turn the Row Counter back to 540 (556) [564] and complete the left half. Follow the instructions from *.



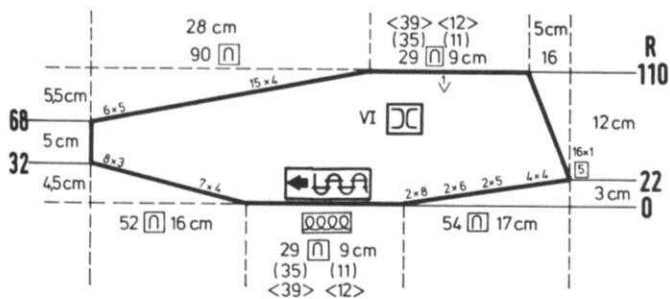
FRONT BAND: VIII Make 2 (Omit Buttonholes in 2nd section).

Cast on 129 sts. and work Fisherman's Rib. Make BUTTONHOLES after Row 18 over needles 6 to 10, 34 to 38, 62 to 66, 90 to 94, 118 to 122 counting from the left edge. After Row 36, bind off all sts. the crochet method for Ribbing.



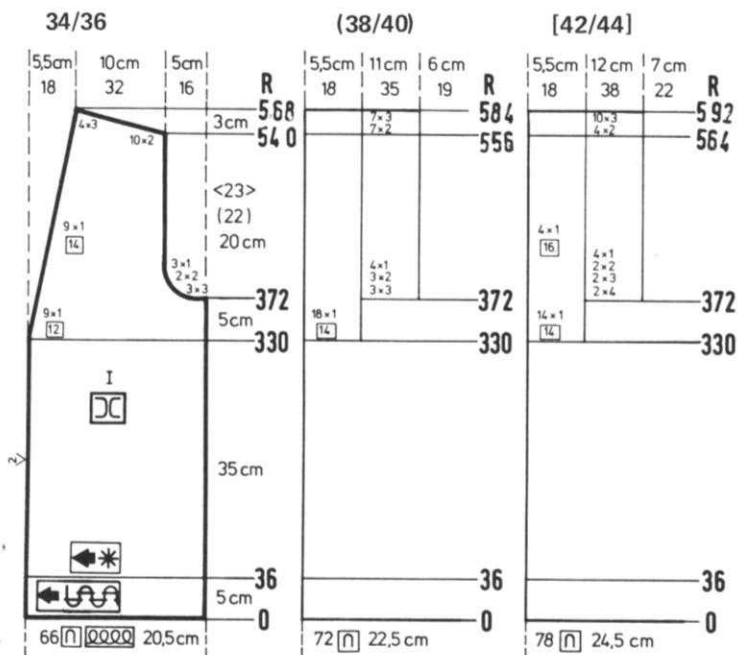
SLEEVE: III

Cast on 71 (77) [83] sts. and work 36 rows Fisherman's Rib. Change to Pattern and ON EACH SIDE, increase 1 st. every 16th row 19x, every 14th row 3x. Knit to Row 380.
SHAPE CAP: ON EVERY 4TH ROW, bind off 5 sts. 1x, 4 sts. 2x, 3 sts. 1x, 2 sts. 1x, 1 st. 19x, 2 sts. 1x, 4 sts. 3x. (5 sts. 1x, 4 sts. 2x, 3 sts. 1x, 2 sts. 1x, 1 st. 21x, 2 sts. 1x, 4 sts. 3x). [5 sts. 1x, 4 sts. 2x, 3 sts. 1x, 2 sts. 1x, 1 st. 23x, 2 sts. 1x, 4 sts. 3x] After Row 490 (498) [506], bind off the remaining 13 (15) [17] sts.



COLLAR: VI Make 1, reverse 1.

Cast on 29 (35) [39] sts. and work Fisherman's Rib. ON EVERY 2nd ROW, on the RIGHT (left for 2nd section), cast on 8 sts. 2x, 6 sts. 2x, 5 sts. 2x, 4 sts. 4x and ON THE LEFT (right for 2nd section) cast on 4 sts. 7x, 3 sts. 8x. After Row 22, on the RIGHT side (left for 2nd section) decrease 1 st. every 5th row 16x, and ON THE LEFT (right for 2nd section) after Row 68, bind off 5 sts. 6x, 4 sts. 15x (use a separate yarn for binding off). After Row 110, bind off the remaining 29 (35) [39] sts. the crochet method for Ribbing.



FRONT: I Make 1, reverse 1.

Cast on 66 (72) [77] sts. and work 36 rows Fisherman's Rib. Change to Pattern and knit to Row 330. ON NECK SIDE, decrease 1 st. every 12th row 9x, every 14th row 9x. (every 14th row 18x) [every 14th row 14x, every 16th row 4x] AND AT THE SAME TIME, after Row 372, SHAPE ARMHOLE: Bind off 3 sts. 3x, 2 sts. 2x, 1 st. 3x. (3 sts. 3x, 2 sts. 3x, 1 st. 4x). [4 sts. 2x, 3 sts. 2x, 2 sts. 2x, 1 st. 4x]. SHAPE SHOULDER after Row 540 (556) [564] by binding off 2 sts. 10x, 3 sts. 4x. (2 sts. 7x, 3 sts. 7x). [2 sts. 4x, 3 sts. 10x].

KK 113



CHILD'S PULLOVER

SIZE: 8 (10) [12]

YARN: Nicole

GRAMS:

Color 1 150 200 250

Color 2 50 100 100

TENSION: 6 to 8

GAUGE:

4 x 1 Rib. 15 sts. 20 rows = 5 cm.

4 x 1 Ribbing with repeated color stripes. Follow the Line Drawing. Worn on the Purl side.

FINISHING: See General Instructions.

FRONT: I

Work the front section the same as the back to Row 108 (120) [136]. Bind off the center 9 sts., put the needles on the left into holding position and complete the right half first.

*SHAPE ARMHOLE SAME AS THE BACK, then knit to Row 151 (167) [187].

ON NECK SIDE, for all sizes, bind off 3 sts. 2x, 2 sts. 2x, 1 st. 4x and SHAPE SHOULDER after Row 164 (180) [200]. Bind off 3 sts. 7x.

(3 sts. 6x, 4 sts. 1x).

(3 sts. 4x, 4 sts. 3x).

Bring the needles on the left into working position, knit 1 row to the left side, turn the Row Counter back to 108 (120) [136] and complete the left half. Follow the instructions from *.

SLEEVE: III

Cast on 57 (61) [65] sts. with color 1 and work 24 rows K1, P1 Ribbing.

Change to Rib Pattern. ON EACH SIDE, increase 1 st. every 14th row 2x, every 12th row 7x.

(every 14th row 8x, every 12th row 1x).

[every 16th row 4x, every 14th row 5x].

Knit to Row 136 (148) [160].

SHAPE CAP: ON EACH SIDE bind off

3 sts. 3x, 2 sts. 2x, 1 st. 10x, 2 sts.

1x, 3 sts. 2x.

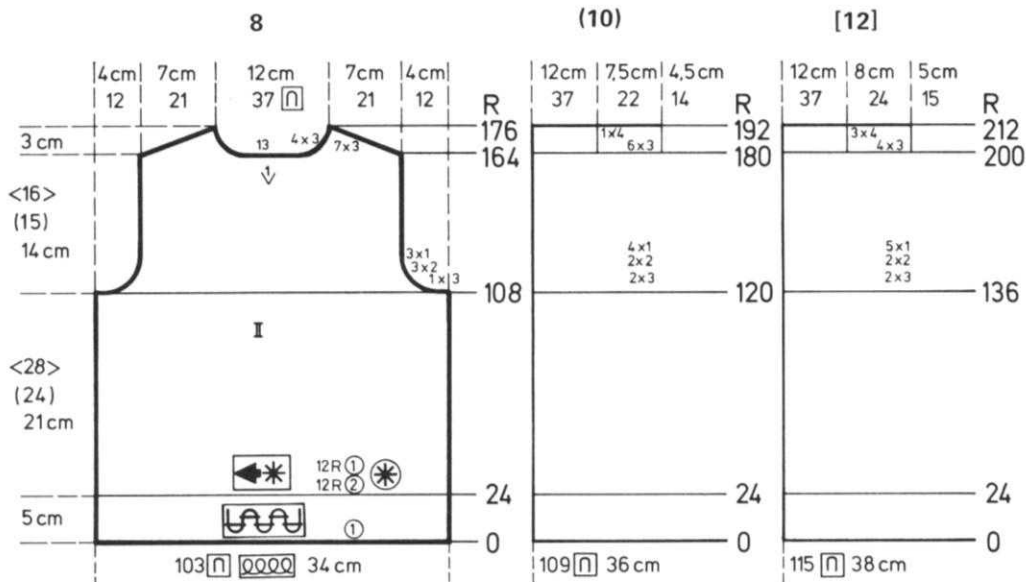
(3 sts. 3x, 2 sts. 2x, 1 st. 12x, 2 sts.

1x, 3 sts. 2x).

[3 sts. 3x, 2 sts. 2x, 1 st. 14x, 2 sts.

1x, 3 sts. 2x].

After Row 172 (188) [204], bind off the remaining 13 sts.



BACK: II

Cast on 103 (109) [115] sts. with color 1 and work 24 rows K1, P1 Ribbing.

Change to Rib Pattern with REPEATED color stripes as shown on the Chart. Knit to Row 108 (120) [136].

SHAPE ARMHOLE: ON EACH SIDE, bind

off 3 sts. 1x, 2 sts. 3x, 1 st. 3x.

(3 sts. 2x, 2 sts. 2x, 1 st. 4x).

[3 sts. 2x, 2 sts. 2x, 1 st. 5x].

Knit to Row 164 (180) [200]. Bind off the center 13 sts., put the needles on the left into holding position and com-

plete the right half first.

*SHAPE SHOULDER AND NECK AT THE SAME

TIME. For SHOULDER, bind off

3 sts. 7x.

(3 sts. 6x, 4 sts. 1x).

[3 sts. 4x, 4 sts. 3x].

ON NECK SIDE for all sizes, bind off

3 sts. 4x.

Bring the needles on the left into

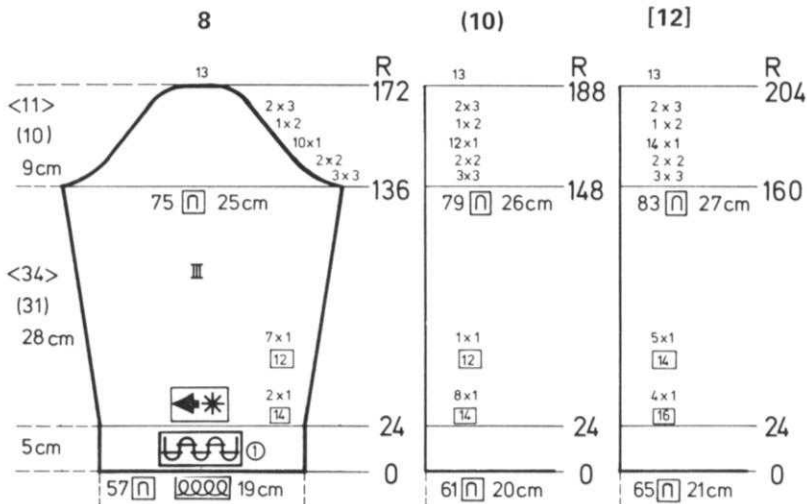
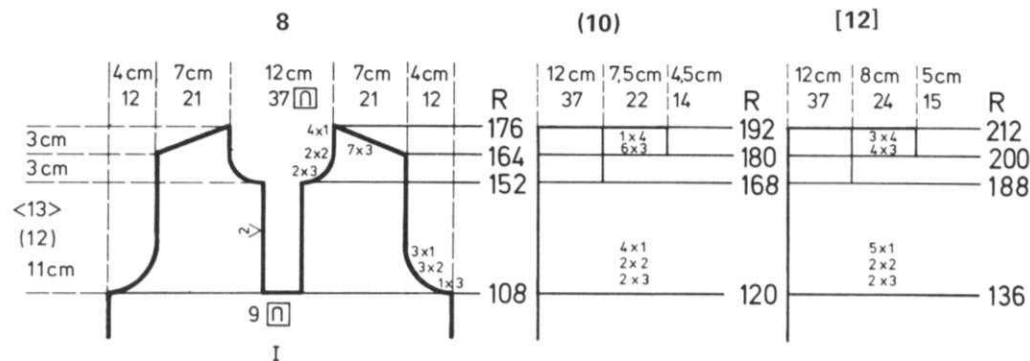
working position, knit 1 row

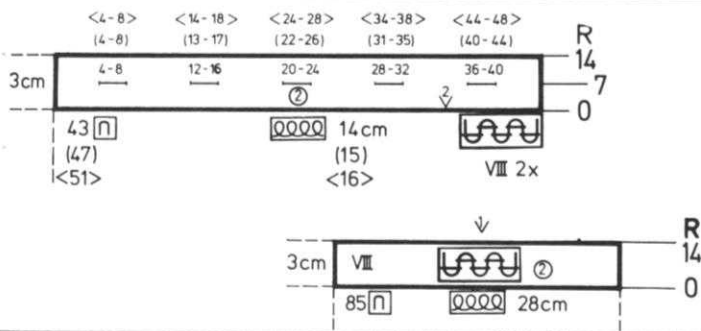
to the left side, turn the Row Counter

back to 164 (180) [200] and com-

plete the left half. Follow the in-

structions from *.



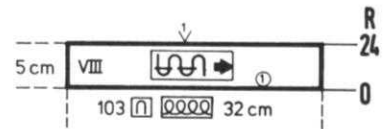


KK 115

GIRL'S DRESS
 SIZE: 2 (4) [6]
 YARN: Amore
 GRAMS:
 Color 1 150 150 200
 Color 2 100 100 100
 TENSION: 6 to 8
 GAUGE: 16 sts. 23 rows = 5 cm (2")

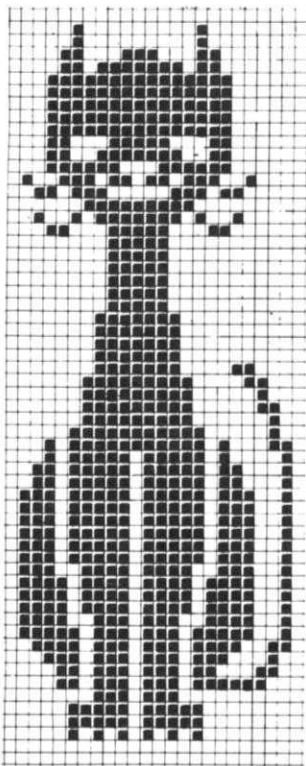
Stockinette stitch and a Norwegian Design. Follow the Line Drawing or use JAC 40 and Pattern K701. The bands are Stockinette stitch. The knit side is the right side.

FINISHING: See General Instructions. Sew right shoulder seam then sew 2 cm on left shoulder. Turn under a small amount on opening and hem to the wrong side. Gather lower edge of sleeve then sew to band. Crochet loops and sew on buttons.



NECKBAND: VIII

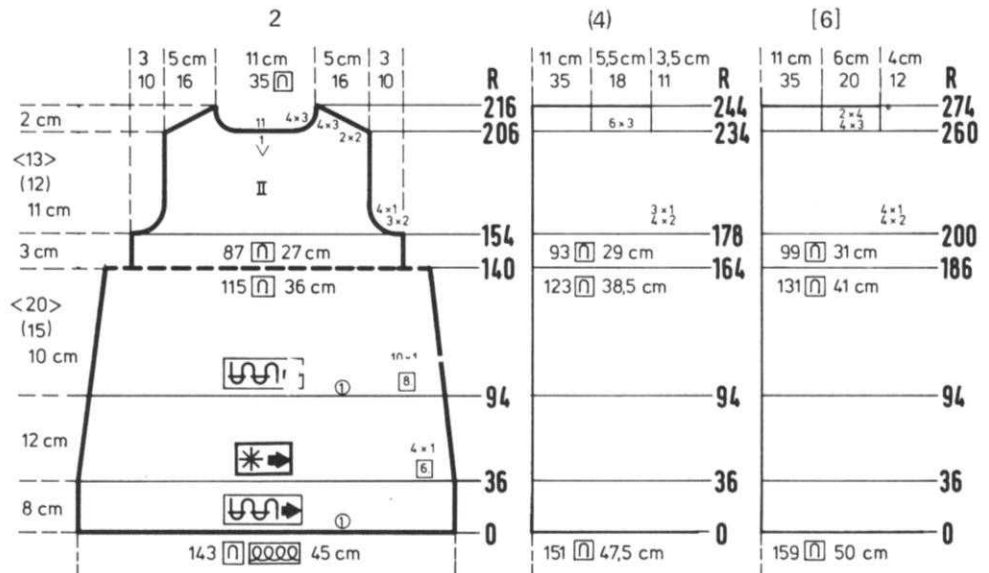
Cast on 103 sts. with color 1 and work 24 rows Stockinette stitch then bind off.



□ Color 1
 ■ Color 2



K701



BACK: II

Cast on 143 (151) [159] sts. with color 1 and work 36 rows Stockinette stitch. Change to Norwegian Design and ON EACH SIDE, decrease 1 st. every 6th row 4x. After Row 94, change to Stockinette stitch and color 1 and ON EACH SIDE, decrease 1 st. every 8th row 10x. After Row 140 (164) [186], remove the sts. onto contrast waste yarn, then hang them back onto the machine, decreasing to 89 (93) [99] sts. Hang 2 sts. on the 5th then every 4th needle). Knit to Row 154 (178) [200]. SHAPE ARMHOLE: ON EACH SIDE, bind off 2 sts. 3x, 1 st. 4x. (2 sts. 4x, 1 st. 3x). [2 sts. 4x, 1 st. 4x].

Knit to Row 206 (234) [260], bind off the center 11 sts., put the needles on the left into holding position and complete the right half first. *SHAPE SHOULDER AND NECK AT THE SAME TIME. For SHOULDER, bind off 2 sts. 2x, 3 sts. 4x. (3 sts. 6x). [3 sts. 4x, 4 sts. 3x]. For NECK, bind off for all sizes, 3 sts. 4x. Move the Cam Box to the left side, turn the Row Counter back to 206 (234) [260] and complete the left half. Follow the instructions from *.

FRONT & BACK: XI Make 2.

Cast on 103 (109) [115] sts. and work Stockinette stitch. Knit to Row 26 then hang the hem.

ON EACH SIDE, decrease 1 st. every 10th row 4x, every 8th row 2x.

(every 12th row 6x)
[every 16th row 6x].

Knit to Row 88 (102) [122].

ON EACH SIDE, increase 1 st. every 12th row 5x.

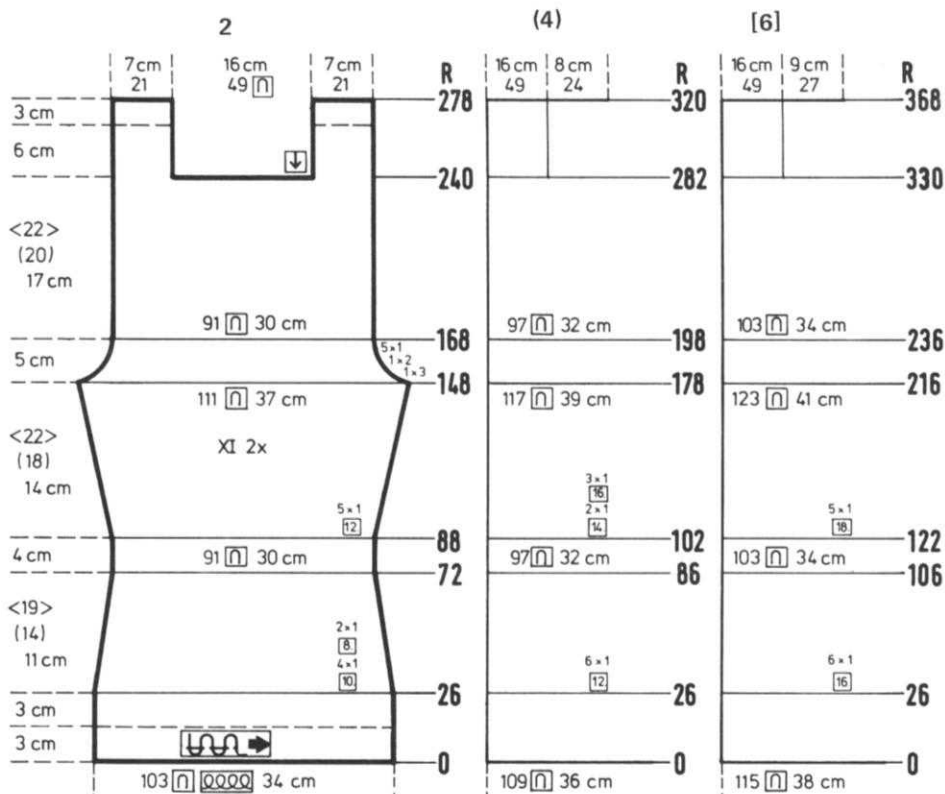
(every 14th row 2x, every 16th row 3x).
[every 18th row 5x].

Knit to Row 148 (178) [216].

SHAPE CROTCH: ON EACH SIDE bind off for all sizes, 3 sts. 1x, 2 sts. 1x, 1 st. 5x. Knit to Row 240 (282) [330]. Bind off the center 49 sts. put the needles on the left into holding position and complete the right half first.

*Knit to Row 278 (320) [368] and bind off the remaining 21 (24) [27] sts.

Move the Cam Box to the left side, turn the Row Counter back to 240 (282) [330] and complete the left half. Follow the instructions from *.



KK 117

GIRL'S DRESS

SIZE: 4 (6) [8]

YARN: Flamingo Dralon

GRAMS:

Color 1	200	250	300
Color 2	50	50	50
Color 3	50	50	50
Color 4	50	50	50
Color 5	50	50	50

TENSION: 7 to 9

GAUGE: 14 sts. 19 rows = 5 cm (2")



Stockinette stitch with repeated color stripes as shown on the Chart. The Knit side is the right side.

FINISHING: See General Instructions. Gather top then lower edge of sleeve. Sew band to sleeve. Single crochet around neck opening then sew buttons on one side and make loops on other side.

BACK: II

Cast on 127 (133) [139] sts. with color 2 and work Stockinette stitch with REPEATED color stripes as shown on the Chart. Knit to Row 34. Continue with color 1. Decrease 2 sts. for EACH DART and 1 st. ON EACH SIDE, every 8th row 7x (every 12th row 3x, every 10th row 2x) [every 14th row 5x, every 12th row 2x]. Knit to Row 114 (136) [160] then continue with REPEATED color stripes as shown on the Chart and after Row 126 (148) [172] SHAPE ARMHOLE:

ON EACH SIDE, bind off 3 sts. 1x, 2 sts. 2x, 1 st. 4x.

(3 sts. 2x, 2 sts. 2x, 1 st. 3x).

[3 sts. 2x, 2 sts. 3x, 1 st. 3x].

Knit to Row 150 (176) [204]. Divide in the center and put the needles on the left into holding position and complete the right half first.

*Knit to Row 172 (198) [226].

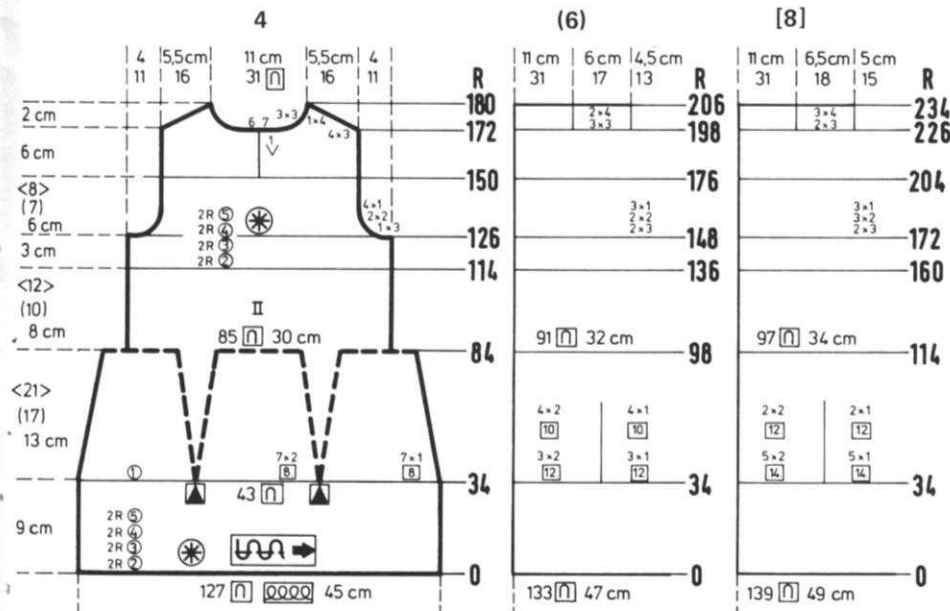
SHAPE SHOULDER AND NECK AT THE SAME TIME. For SHOULDER, bind off 3 sts. 4x, 4 sts. 1x.

(3 sts. 3x, 4 sts. 2x).

[3 sts. 2x, 4 sts. 3x].

FOR NECK, bind off for all sizes, 3 sts. 3x.

Bring the needles on the left into working position, knit 1 row to the left side, turn the Row Counter back to 150 (176) [204] and complete the left half. Follow the Instructions from *.



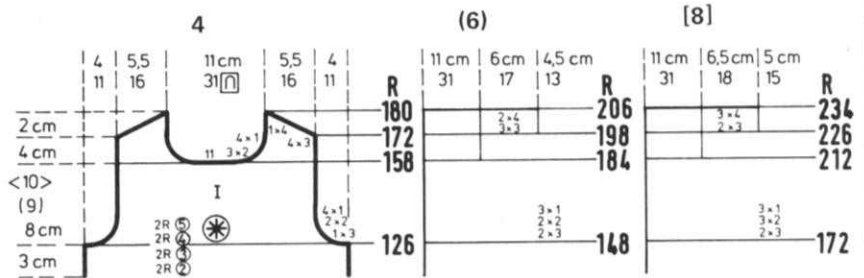
Continued

KK 117

Continued

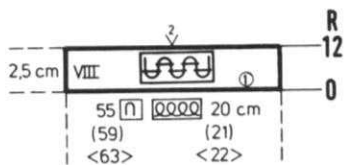
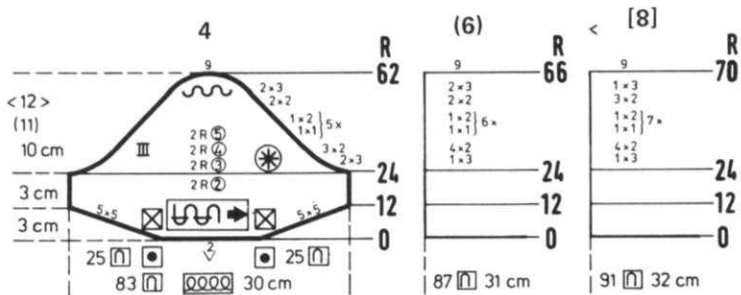
FRONT: I

Work the front the same as the back to Row 158 (184) [212] but DO NOT DIVIDE in center.
 Bind off the center 11 sts., put the needles on the left into holding position and complete the right half first.
 *ON NECK SIDE, for all sizes, bind off 2 sts. 3x, 1 st. 4x and SHAPE SHOULDER after Row 172 (198) [226]. Bind off 3 sts. 4x, 4 sts. 1x, (3 sts. 3x, 4 sts. 2x), [3 sts. 2x, 4 sts. 3x].
 Bring the needles on the left into working position, knit 1 row to the left side, turn the Row Counter back to 158 (184) [212] and complete the left half. Follow the instructions from *.



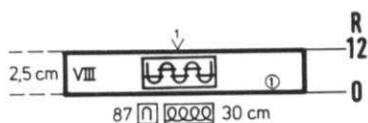
SLEEVE: III

Cast on 83 (87) [91] sts. with color 2 and work Stockinette stitch with REPEATED color stripes as shown on the Chart. Work Short Rows: ON OPPOSITE SIDE OF CAM BOX, put into holding position, 25 needles before knitting the next 2 rows. ON OPPOSITE SIDE OF CAM BOX, bring back into working position, 5 needles 5x ON EACH SIDE. Knit to Row 24.
 SHAPE CAP: ON EACH SIDE, bind off 3 sts. 2x, 2 sts. 3x, *1 st. 1x, 2 sts. 1x and REPEAT from * 4x more, 2 sts. 2x, 3 sts. 2x.
 (3 sts. 1x, 2 sts. 4x, *1 st. 1x, 2 sts. 1x and REPEAT from * 5x more, 2 sts. 2x, 3 sts. 2x).
 [3 sts. 1x, 2 sts. 4x, *1 st. 1x, 2 sts. 1x and REPEAT from * 6x more, 2 sts. 3x, 3 sts. 1x].
 After Row 62 (66) [70], bind off the remaining 9 sts.



ARMBANDS: VIII Make 2.

Cast on 55 (59) [63] sts. with color 1 and work 12 rows K1, P1 Ribbing, then bind off the crochet method for Ribbing.



NECKBAND: VIII

Cast on 87 sts. with color 1 and work 12 rows K1, P1 Ribbing then bind off the crochet method for Ribbing.

converta tape

For simple and speedy charting of custom knits.

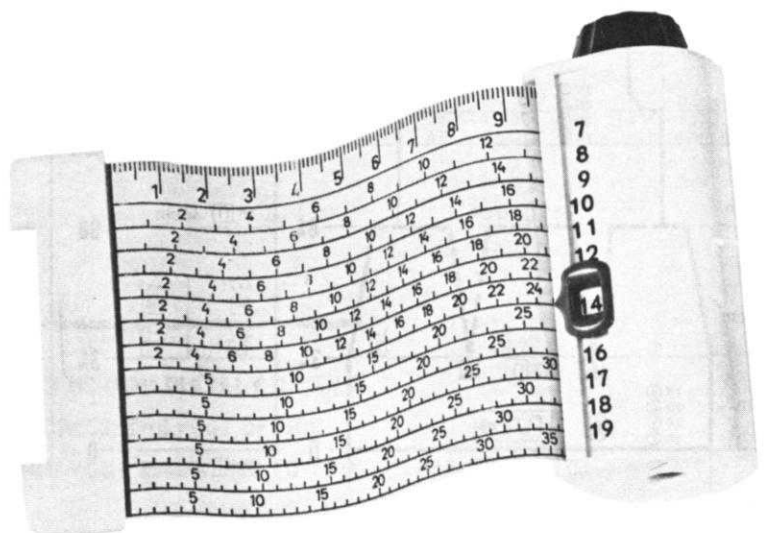
List Price\$9.50

(California residents add Sales Tax)

Shipping charges: F.O.B. Los Angeles

Order direct from KNITKING

— 1128 Crenshaw Blvd., Los Angeles, California 90019



KK 118 B

BOY'S JACKET

SIZE: 8 (10) [12]
 YARN: Crocus
 GRAMS:
 Color 1 350 400 450
 Color 2 50 50 50
 TENSION: 7 to 9
 GAUGE: 15 sts. 20 rows = 5 cm (2")



Stockinette stitch worn on the knit side.
 Bands are ribbed using color 2.

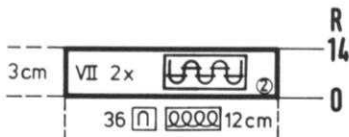
FINISHING: See General Instructions.

BACK: II

Cast on 107 (113) [119] sts. with color 2 and work 24 rows K1, P1 Ribbing. Change to Stockinette stitch and color 1. Knit to Row 100 (112) [128].
 SHAPE ARMHOLE: ON EACH SIDE, bind off 3 sts. 1x, 2 sts. 2x, 1 st. 5x. (3 sts. 1x, 2 sts. 3x, 1 st. 4x). [3 sts. 1x, 2 sts. 3x, 1 st. 6x]. Knit to Row 160 (176) [196]. Bind off the center 15 sts., put the needles on the left into holding position and complete the right half first.
 *SHAPE SHOULDER AND NECK AT THE SAME TIME. For SHOULDER, bind off 3 sts. 6x, 4 sts. 1x. [3 sts. 4x, 4 sts. 3x]. [3 sts. 3x, 4 sts. 4x].
 For NECK: bind off for all sizes, 3 sts. 2x, 2 sts. 3x.
 Move the Cam Box to the left side, turn the Row Counter back to 160 (176) [196] and complete the left half. Follow the instructions from *.

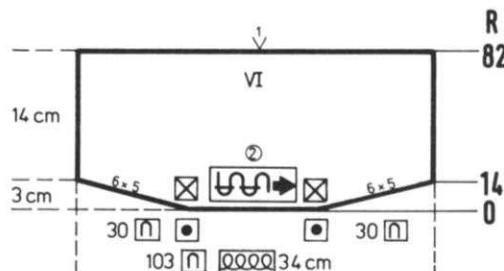
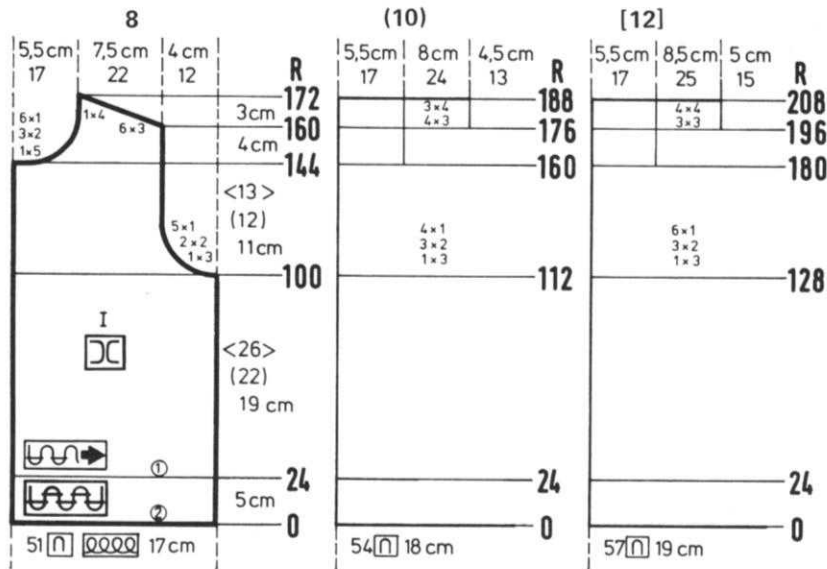
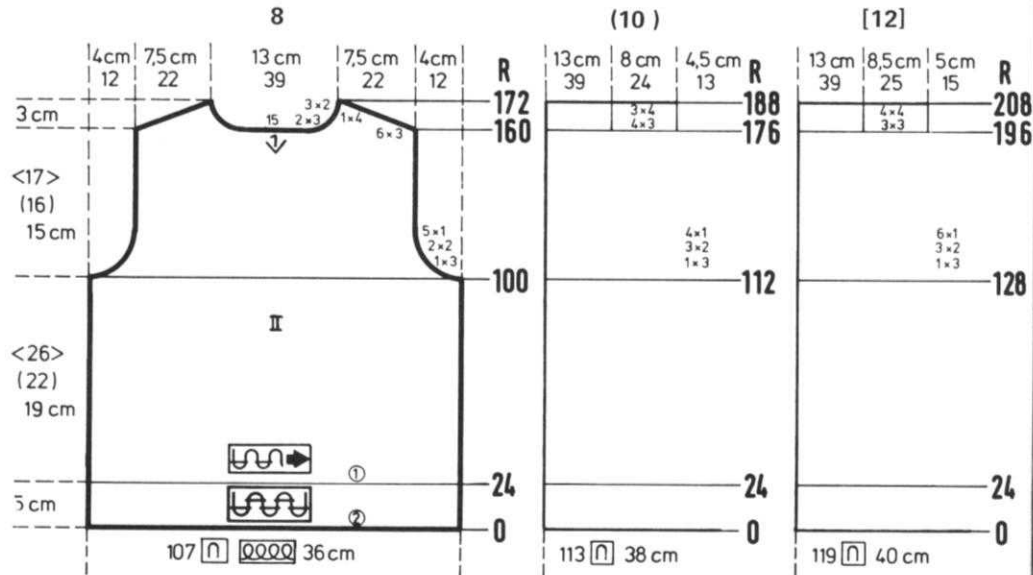
FRONT: I Make 1, reverse 1.

Cast on 51 (54) [57] sts. with color 2 and work 24 rows K1, P1 Ribbing. Change to Stockinette stitch and color 1. Knit to Row 100 (112) [128].
 SHAPE ARMHOLE: Bind off 3 sts. 1x, 2 sts. 2x, 1 st. 5x. (3 sts. 1x, 2 sts. 3x, 1 st. 4x). [3 sts. 1x, 2 sts. 3x, 1 st. 6x]. Knit to Row 143 (159) [179].
 ON NECK SIDE, for all sizes, bind off 5 sts. 1x, 2 sts. 3x, 1 st. 6x.
 SHAPE SHOULDER after Row 160 (176) [196], bind off 3 sts. 6x, 4 sts. 1x. [3 sts. 4x, 4 sts. 3x]. [3 sts. 3x, 4 sts. 4x].



POCKET FLAP: VII Make 2.

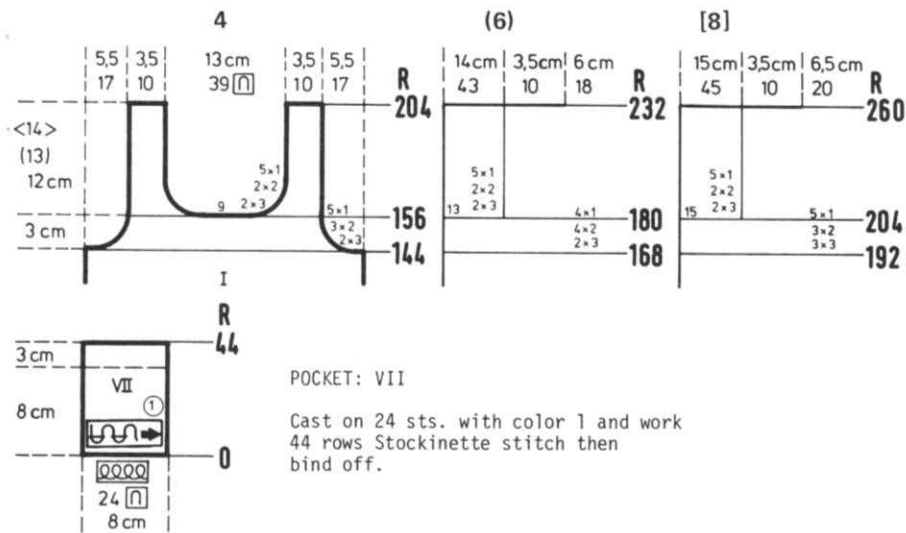
Cast on 36 sts. with color 2 and work 14 rows K1, P1 Ribbing then bind off the crochet method for Ribbing.



COLLAR: VI

Cast on 103 sts. with color 2 and work Stockinette stitch. Knit Short Rows. ON OPPOSITE SIDE OF CAM BOX, put into holding position 30 needles before knitting the next 2 rows. ON OPPOSITE SIDE OF CAM BOX, bring back into working position 5 needles 6x ON EACH SIDE. Knit to Row 82, then bind off all sts.

Continued



DRESS FRONT: I

Work the front the same as the back to Row 144. (168) [192]. SHAPE ARMHOLE same as the back and AT THE SAME TIME, after Row 156 (180) [204], bind off the center 9 (13) [15] sts., put the needles on the left into holding position and complete the right half first.

*ON NECK SIDE, for all sizes, bind off 3 sts. 2x, 2 sts. 2x, 1 st. 5x. Knit to Row 204 (232) [260], bind off the remaining 10 sts.

Move the Cam Box to the left side, turn the Row Counter back to 156 (180) [204] and complete the left half. Follow the instructions from *, and don't forget to complete the armhole shaping.

PULLOVER BACK: II

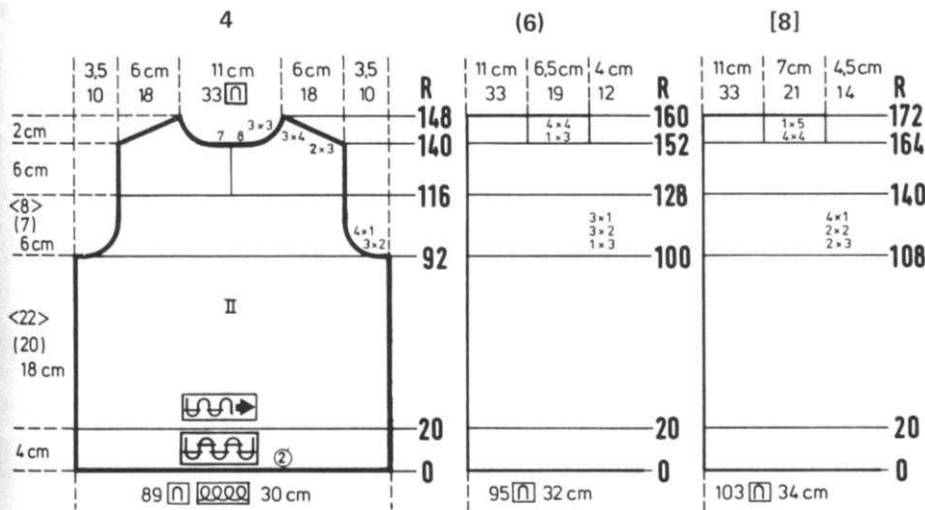
Cast on 89 (95) [103] sts. with color 2 and work 20 rows K1, P1 Ribbing. Change to Stockinette stitch and knit to Row 92 (100) [108]. SHAPE ARMHOLE: ON EACH SIDE, bind off 2 sts. 3x, 1 st. 4x.

(3 sts. 1x, 2 sts. 3x, 1 st. 3x). [3 sts. 2x, 2 sts. 2x, 1 st. 4x]. Knit to Row 116 (128) [140]. Divide in the center, put the needles on the left into holding position and complete the right half first.

*Knit to Row 139 (151) [163]. Bind off 8 sts. (7 for left half) for neck, SHAPE SHOULDER AND NECK AT THE SAME TIME. For SHOULDER, bind off 3 sts. 2x, 4 sts. 3x.

(3 sts. 1x, 4 sts. 4x). [4 sts. 4x, 5 sts. 1x]. and for NECK, on all sizes, bind off 3 sts. 3x.

Move the Cam Box to the left side, turn the Row Counter back to 116 (128) [140] and complete the left half. Follow the instructions from *.



PULLOVER FRONT: I

Work the front the same as the back to Row 124 (136) [148], but DO NOT divide in center. Bind off the center 13 sts. put the needles on the left into holding position and complete the right half first.

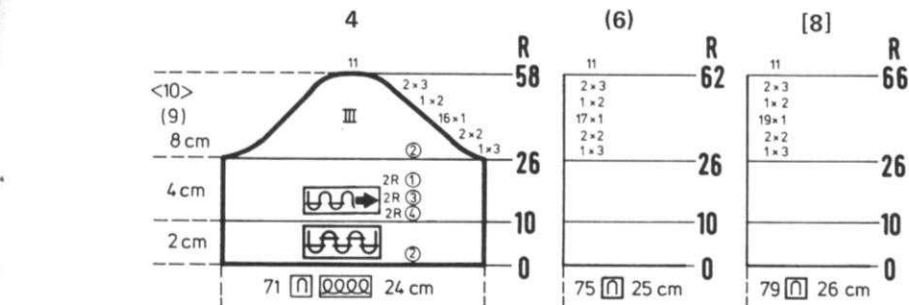
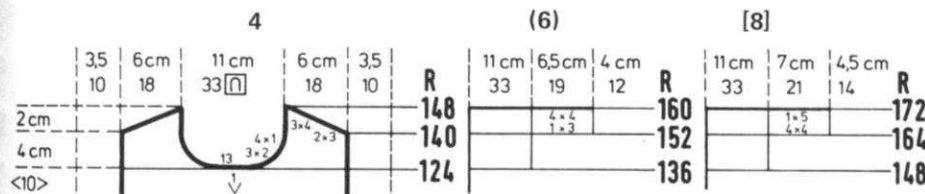
*ON NECK SIDE, for all sizes, bind off 2 sts. 3x, 1 st. 4x and SHAPE SHOULDER after Row 140 (152) [164]. Bind off 3 sts. 2x, 4 sts. 3x. (3 sts. 1x, 4 sts. 4x). [4 sts. 4x, 5 sts. 1x].

Move the Cam Box to the left side, turn the Row Counter back to 124 (136) [148] and complete the left half. Follow the instructions from *.

SLEEVE: III

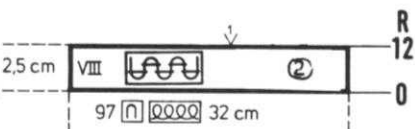
Cast on 71 (75) [79] sts. with color 2 and work 10 rows K1, P1 Ribbing. Change to Stockinette stitch with color stripes as shown on the Chart. Knit to Row 26. Continue with color 2. SHAPE ARMHOLE: ON EACH SIDE, bind off 3 sts. 1x, 2 sts. 2x, 1 st. 16x, 2 sts. 1x, 3 sts. 2x.

(3 sts. 1x, 2 sts. 2x, 1 st. 17x, 2 sts. 1x, 3 sts. 2x). [3 sts. 1x, 2 sts. 2x, 1 st. 19x, 2 sts. 1x, 3 sts. 2x]. After Row 58 (62) [66], bind off the remaining 11 sts.



NECKBAND: VIII

Cast on 97 sts. with color 2 and work 12 rows K1, P1 Ribbing then bind off the crochet method for Ribbing.





Knitkng News

PRACTICAL KNITTING HINTS NECKBAND SHAPING

In this issue of KNITKING MAGAZINE, there are several neckbands with a 'V' shaping that are knitted with the Ribber. We tell you to decrease 2 stitches on every second row at the edge to shape the point. You know that when using the Ribber, the end stitch on each side must be on the main machine. For DK 99 and DK 104, you will decrease 2 sts. on one edge and for DK 108, you will decrease 3 sts. on one edge. One way to make these decreases is as follows....

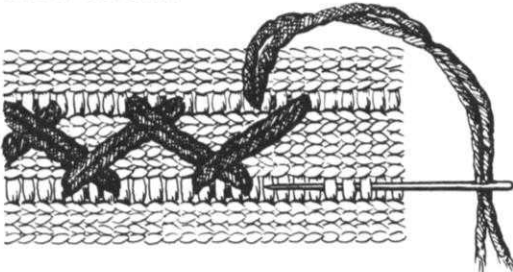
Transfer the first 2 ribber sts. to the main machine. *With a 3-prong transfer tool, remove the 3 end sts. and transfer the two inner sts. to the next 2 sts. so that now you have 1 st. on the end needle and 2 sts. on each of the next 2 needles of the main machine. Transfer the first inside double stitch onto the Ribber. You have 2 main machine stitches on the end. Knit 2 rows and REPEAT from * for the specified number of times. For DK 108, you must decrease 3 sts. at the edge and you make the decreases in the same way except that you must use a 4 prong transfer tool and there will be 2 sts. on 3 needles and after transferring the doubled stitch back to the ribber, you will have only 1 single stitch at the end on the main machine. The single stitch at the edge makes it easy for you to weave the points of the neckband together. As you make the decreases, use a tool to pull the edge stitch down so that it does not become tight... also check to be sure the double stitch on the ribber knits off.

THE CATCH STITCH EMBROIDERY for DK 93

The out of work needles are the guide for working the Catch Stitch (sometimes called Hexenstitch). Thread a large eyed tapestry needle with 5 strands of yarn. You can work from the bottom to the top or top to bottom, whichever is easiest for you, but you must ALWAYS work across from left to right. Secure the yarn on the wrong side at the bottom row of empty needles section, then bring the yarn to the right side.

*Working from right to left, go under 4 rows at the top and keep the yarn to the right of the needle. Now go under 4 rows at the bottom from right to left, keeping the yarn to the right of the needle. REPEAT from *.

The Line Drawing shown is an example of a similar Catch Stitch. In this example, two strands of yarn are used and the yarn is placed under 3 threads while 4 are left empty between each criss-cross Catch Stitch.



KNITTING MACHINE CONVENTION - SEMINAR

Hotel reservations and requests for tickets for the 1975 Southern California Convention - Seminar, Fashion Show - Banquet have been coming in fast... It is obvious that the hotel will be fully booked and that all tickets to the Fashion Shows and the Banquet will be completely sold out well before the opening of the show... So... if you want to be there, make your reservations immediately. Although the Seminar officially opens on Thursday, October 23rd, there will be a special Fashion Show on the evening of Wednesday, the 22nd of October. It will feature garments made and worn by members of the AMIMONO CLUB... This club is run by Fumi Nishizaki and you can depend on Fumi to organize an excellent show... The price of admission is \$4.00.

The actual Seminar runs for three days (the 23rd, 24th and 25th of October) from 10:00 AM to 10:00 PM daily and the price of admission each day is \$1.50. It is anticipated that the finest team of experts on all brands of machines ever assembled in the U.S. will be on hand to answer all the questions you have regarding knitting techniques, charting, finishing, etc., etc.

All of the major knitting machine companies will be represented... KNITKING, BROTHER, STUDIO, TOYOTA, PASSAP and JUKI will be running continuing demonstrations and there will be classes in special subjects... All in all, this will be the big event of the year for machine knitters... KNITKING will have an outstanding display of garments in the Seminar and Fashion Show... We will also have several new products available plus yarns, books, magazines, etc., and we will have special trade-in offers during the Seminar... If you plan to be in town before the Seminar starts, be sure to visit our premises in Los Angeles and spend some time with us.

A large number of people were turned away from the banquet and fashion show last year (it's on Sunday, the 26th, this year). To insure seats, you MUST make early reservations. The price of the Banquet and Fashion Show is \$12.00 per person. You can save money on a package deal if you intend attending all events. For \$20.00, you will receive a ticket to the Special Show on Wednesday evening, a ticket for the 3 days at the Seminar, a ticket for the Banquet and Fashion Show plus the Program /Pattern Book that sells for \$1.50. This is a total value of \$22.00.

The Convention - Seminar is being held at the GRAND HOTEL, ONE HOTEL WAY, ANAHEIM, CALIFORNIA, 92802 and you can write direct if you wish to reserve accommodations there... Rooms are being held for Seminar visitors, so when you make your reservations, be sure to state that you are attending the Knitting Machine Seminar.

You can make reservations for the Fashion Show and Seminar by writing direct to the organizers: NEWTON'S KNITS, 9836 Garden Grove Blvd., Garden Grove, California 92644 (phone: 1-714-530-6551) or the YARN FARM, 11234 E. Whittier Blvd., Whittier, California, 90606 (Phone: 1-213-699-6282).

You can also order a Program/Pattern Book in advance... the price is \$1.50.

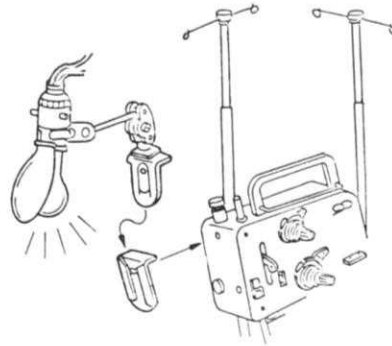
BOUND VOLUMES - KNITTING MAGAZINE

We have a good quantity of VOLUME 10 available, but we are rapidly selling out of previous bound volumes and only have a few of Volumes 6, 7 and 9 left... If you would like to add any or all of these to your collection, the price per bound volume is \$7.95 plus \$1.15 shipping costs... There is no possibility of a reprint on any of these... when they are gone there will be no more, so please get your order in early... Each volume has instructions and illustrations for approximately 120 patterns including garments for the entire family plus many fun and gift items.

If you are a new subscriber to KNITTING MAGAZINE and would like to obtain some back issues (not bound), send \$10.00 and we will mail you an excellent assortment of 10 different copies post paid.

BABY LOCK LIGHTS

It is more than a year since we were able to offer the special little sewing machine lights for BABY LOCK machines... You will find them illustrated in your manual and they sell for \$4.95 plus 85 cents shipping costs (California residents add Sales Tax). For some unknown reason these lamps have always been difficult to obtain and our supply is limited so please order right away.



SALE OF DEMO and TRADED KNITTING MACHINES

If you would like a second or a special purpose machine, we have some fantastic buys. Check the list below and place your order immediately... If we have sold the model of your choice, we will return your money or you can suggest an alternate... Prices are all F.O.B. Los Angeles and California residents must add Sales Tax.

			<u>CONDITION</u>	<u>SALE PRICE</u>
<u>SINGLE BED</u>				
KNITTING	AM2	Cam operated with Ribbing Attachment - sold for \$399.00 - like new		\$199.00
	AM3	Cam operated with Ribbing Attachment - sells for \$499.00 - Demo		
			Like brand new	399.00
BROTHER	800	Computerized with Lacemaker - sells for \$369.95	Excellent	\$175.00
	588	With Lacemaker, Ribber, Knitleader and Course - sells for \$489.85		
			Excellent	250.00
	588	With Lacemaker - sells for \$269.95	Excellent	150.00
	587	With Lacemaker - (same as 588)	Very good	100.00
	585	With Lacemaker - sold for \$239.50	Very good	85.00
	561	8 Button machine - sells for \$149.95	Very good	60.00
	500	Basic Stockinette - sells for \$99.50	Like new	40.00
	586	Ribbing Attachment for 588 or 800 - sells for \$139.95 - Like new		99.00
STUDIO	321	Punch Card machine	Excellent	\$175.00
	301	Automatic with Ribber	Very good	110.00
	301	Automatic	Very good	60.00
JUKI		Hi-Memory 1300 - Punch Card Lacemaker machine - sells for \$369.50		
			Brand new	\$199.00
		Hi-Memory 1300 - Punch Card Lacemaker machine - sells for \$369.50		
			Excellent	150.00
GENIE	1800	- sells for \$139.50	Like new	\$ 85.00
	1800	- sells for \$139.50	Very good	65.00
	1500	- sells for \$99.50	Very good	50.00
JIFFY GENIE	CHJ3-	200 needles - Made to sell for \$99.50 - CLEARANCE PRICE		
			Brand new	39.50
<u>DOUBLE BED</u>				
DUOMATIC		- sold for \$419.50	Very good	\$150.00
SWIFTOMATIC		- sold for \$329.00 to \$399.00	Very good	75.00
TURMIX		- sold for \$329.00 to \$399.00	Very good	75.00
ORION 360		- sold for \$329.00	Very good	75.00
	444	- sold for \$469.00	Very good	150.00
<u>DEMONSTRATION BABY LOCK MACHINES</u>				
605		Cut, Sew, Overlock - List \$349.50	Excellent	\$225.00
405		3 Thread Overlock - List \$329.50	Excellent	205.00
606		BABY BLINDSTITCH - List \$369.50	Like new	260.00

ALL PRICES F.O.B. LOS ANGELES (F.O.B. MEANS YOU PAY THE FREIGHT).

General Instructions

GENERAL INSTRUCTIONS FOR THIS ISSUE

FULL FASHION DECREASING AND INCREASING

For Stockinette stitch, always use the Full Fashion method for decreasing or increasing.

TO DECREASE: Hang the 3rd stitch onto the 2nd stitch, then move the stitches in to fill the empty needle.

TO INCREASE: Move the 2 end stitches 1 needle outward, then pick up the 3rd stitch from the row below and hang it onto the empty needle.

NORWEGIAN DESIGNS

In the instructions, each row of the Norwegian Design is counted as 1 row but several movements of the Cam Box are needed to complete 1 row.

NORWEGIAN DESIGN WHEN USING THE PATTERN READER

When you use the Pattern Reader and knit a Norwegian Design using several colors, it is necessary to move the trip control lever so that only 1 row registers.

TO MAKE FRINGE

Cut yarn DOUBLE the length of fringe desired (wind around a cardboard or book). Using 2 or more strands of yarn (depending on weight of yarn) fold in half and with a crochet hook, draw folded loop through knitting from the wrong side. Pull strands through loop and tighten.

To make an additional row of knots on fringe, take half the strands from 1 group and half from the next group, then knot together approximately 1" to 2" below and continue across.

FINISHING: Block all sections. For PULLOVERS, JACKETS and DRESSES: Join front to back at sides and shoulders. Sew sleeves together and set in. Hem lower edge and sleeve edges if needed. For a double neckband or armhole band, sew 1 edge to the inside and 1 to the outside of neck or armhole. For a single ribbed band, sew 1 edge to the outside of neck or armhole edge. For a Cardigan or Jacket with buttonholes, finish buttonholes and sew on buttons.

PANTS: Join front to back at sides. Sew inside leg seams, then join center front and back. Make hem at waistline and insert elastic. Hem lower edge of pants legs.

THE SAMPLE SWATCH

Before you begin to knit any garment, you will need to knit a sample piece using the yarn you have chosen for your garment, so that you can check the stitch and row gauge which must measure the correct number of stitches and rows in 5 cm (2 inches).

For each Pattern in KNITKING MAGAZINE, we give you 3 Tension Numbers to work from and if you use the specified yarn for the garment, you should be able to get the correct stitch and row gauge using one of these numbers. Here is a very easy way to make your sample swatch and count the stitches and rows WITHOUT actually counting, by using our KNITKING CONVERTA TAPE.

Supposing the Tension Numbers for the Stitch and Row Gauge are given as 5 to 7. Set the Tension Dial to the first number which is 5. With contrast waste yarn, and using the quick cast-on method, cast on 60 stitches and knit 10 rows. Change to garment yarn and turn the Row Counter to 0. Knit 30 rows. Counting from each end, knit the 10th stitch on each side by hand with a small piece of contrast yarn. Leave the needles in working position and knit 30 rows (Row 60), then knit 4 rows with contrast waste yarn. Turn the Row Counter to 0 and the Tension Dial to 6 and with garment yarn, knit 30 rows. Mark the 10th stitch on each side as you did before, knit 30 rows, then 4 rows with contrast waste yarn. Turn the Row Counter to 0 and with Tension 7, repeat the above once more ending with 10 rows of contrast waste yarn, then remove the work from the machine by passing the Slide across the needles without yarn (sometimes called 'dropping').

Pull and stretch the sample piece both lengthwise and diagonally from corner to corner, then lengthwise again. Do not count the stitches and rows immediately, but allow the sample to rest for several hours or even over night. This will allow the stitches and rows to return to their basic form.

When your sample has rested and you are ready to count the stitches and rows, the KNITKING CONVERTA TAPE will do the figuring for you without any counting on your part. Use the Tape as follows:

To measure the stitches, pull out the Tape to measure BETWEEN the 40 stitches in the center that you marked by hand knitting with contrast waste yarn. Push the red marker on the Tape so that it points to 40 stitches on the Tape. Your stitch gauge to 5 cm (2 inches) will show in the red window on the tape. To find the number of rows in 5 cm (2 inches), place the tape to measure over 60 rows, push the red marker to 60 on the tape and your row gauge for 5 cm (2 inches) will show in the red window... Easy..? If you do not get the correct stitch and row gauge in the first part of your sample, then try the other two.

If you do not own a KNITKING CONVERTA TAPE, you must mark a 5 cm (2 inch) square in the center of the knitting, then count the number of stitches and rows within the square.





DK 99



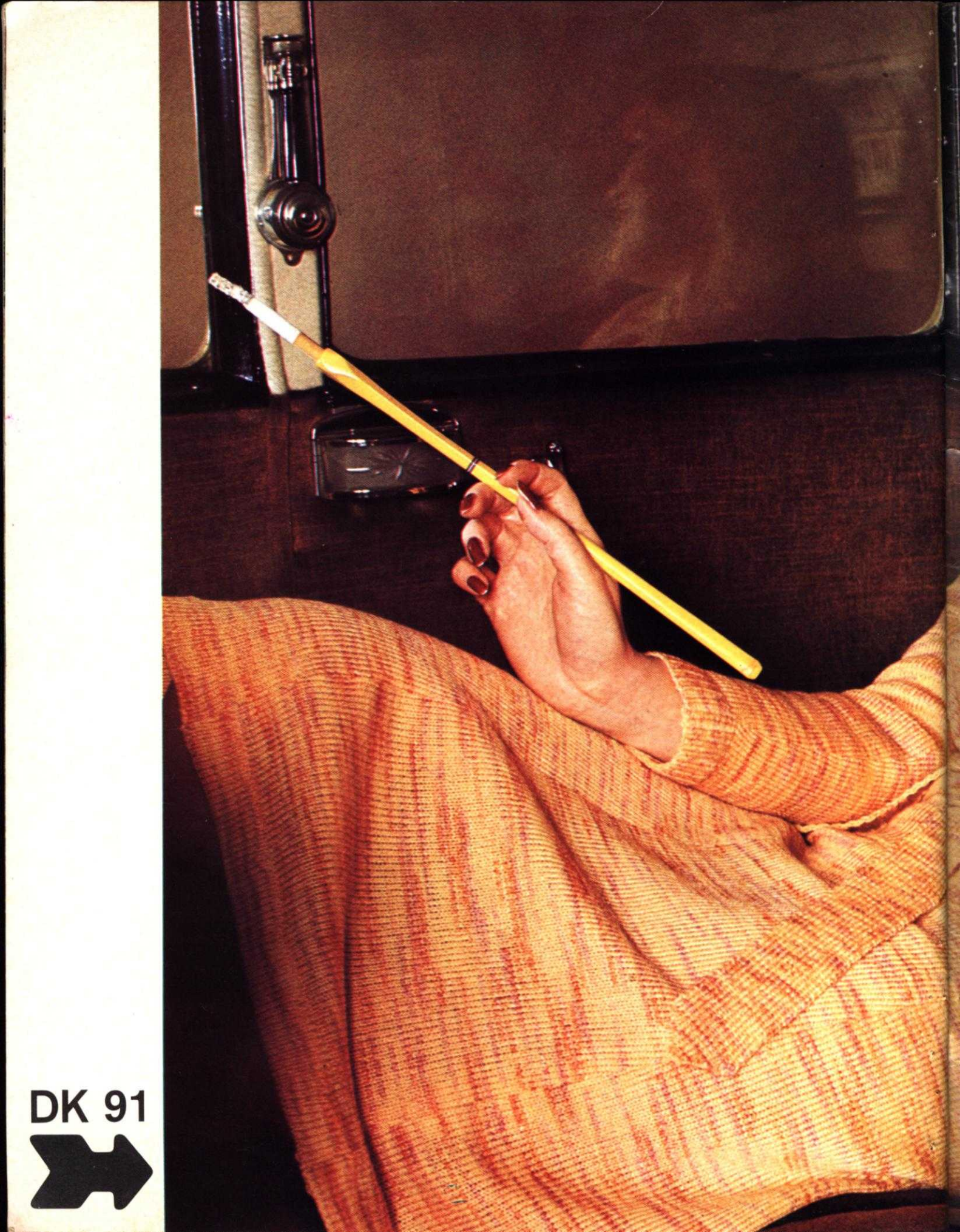


DK 104



DK 98





DK 91







KK 117



KK 113



DK 96



Rückseite
DK 106
DK 97





