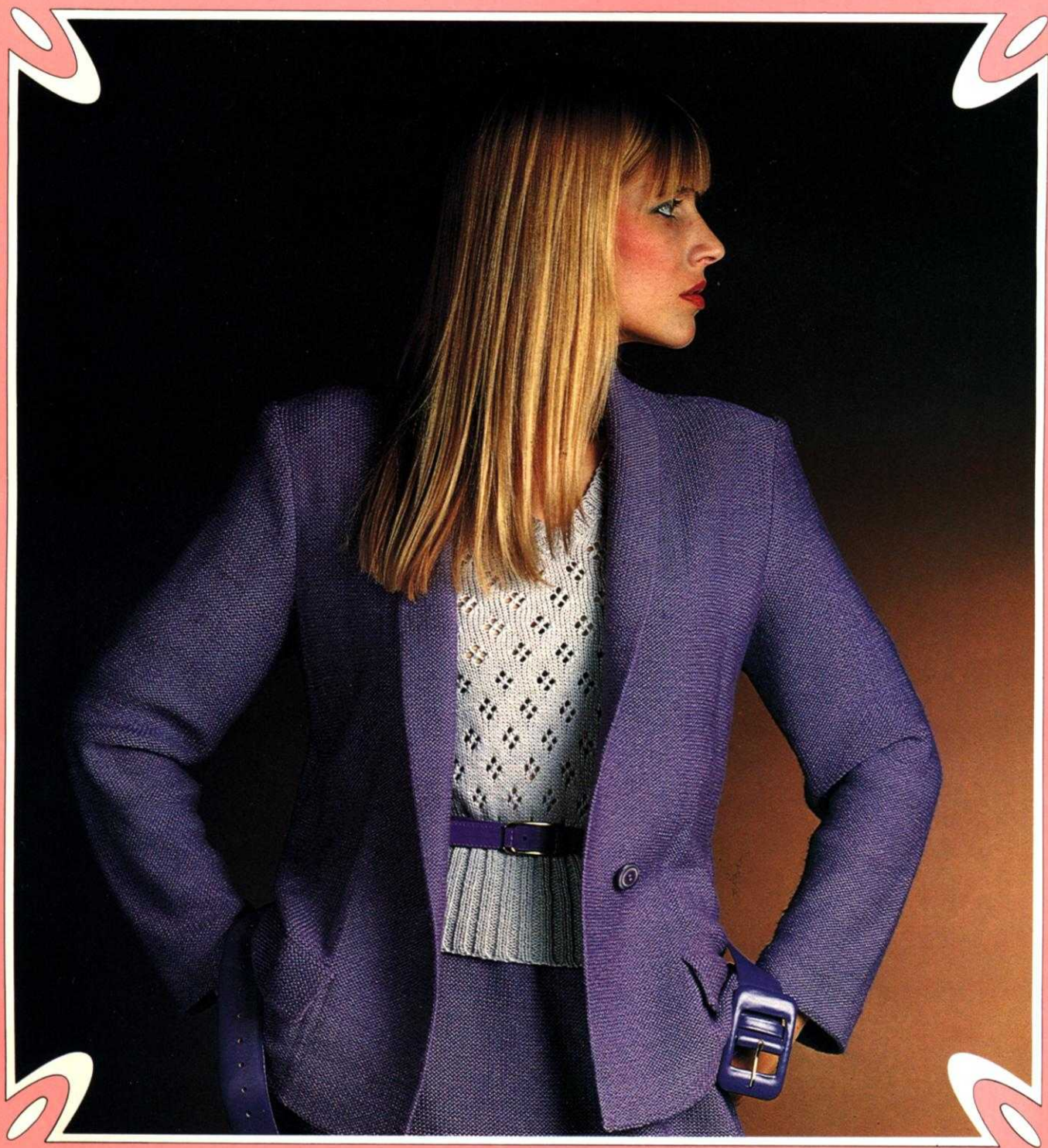
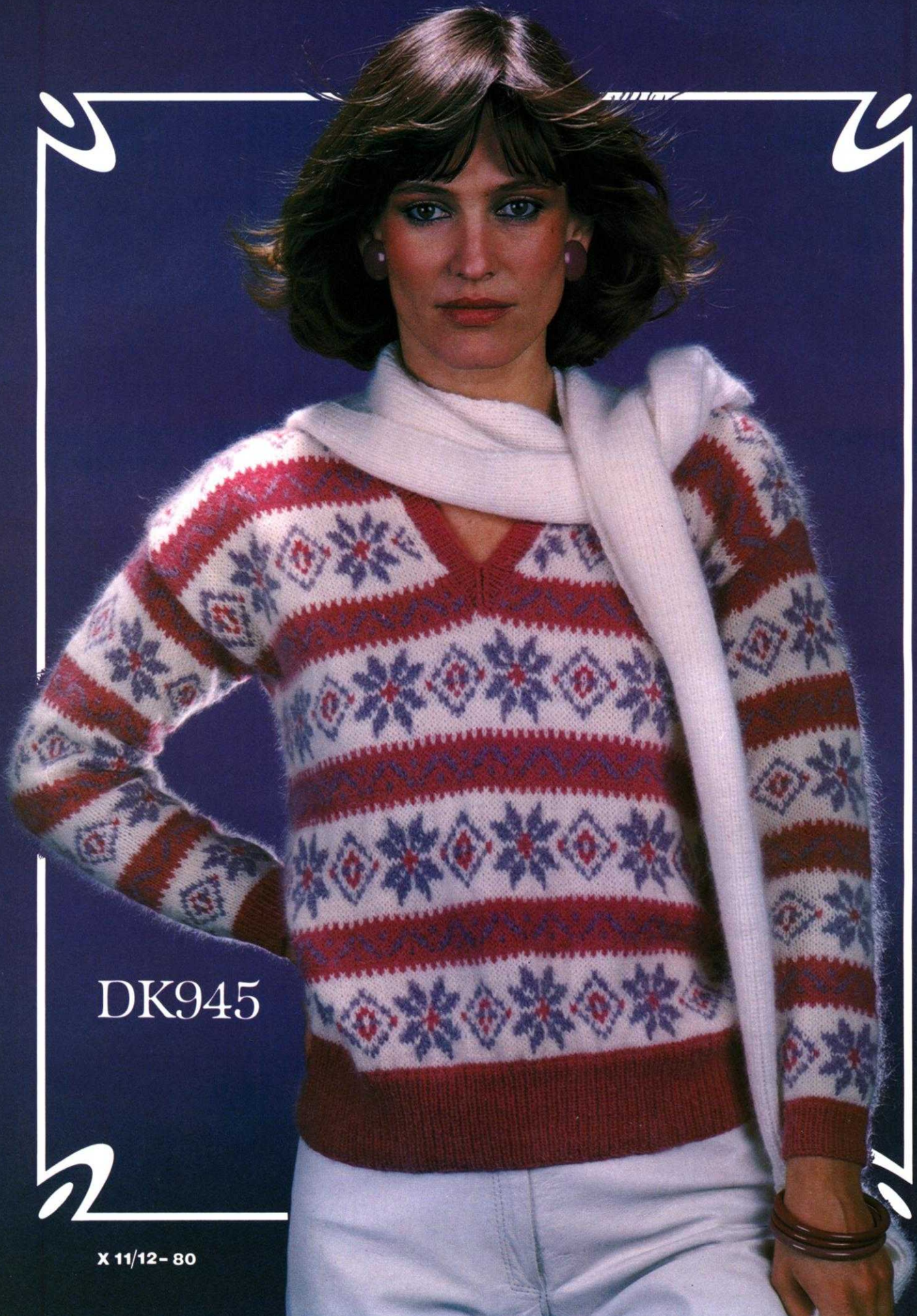


knitking

magazine

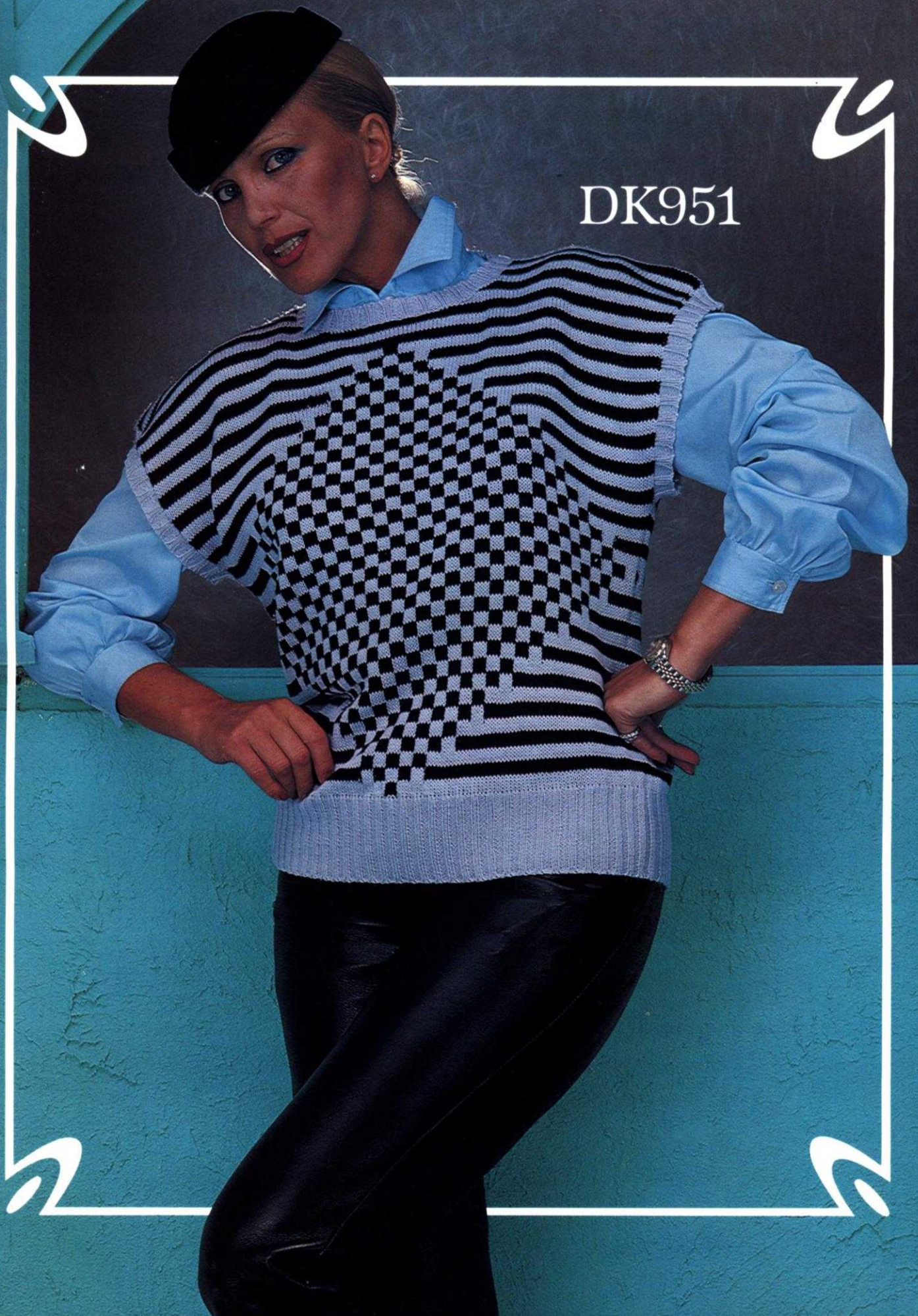




DK945

X 11/12 - 80

DK951

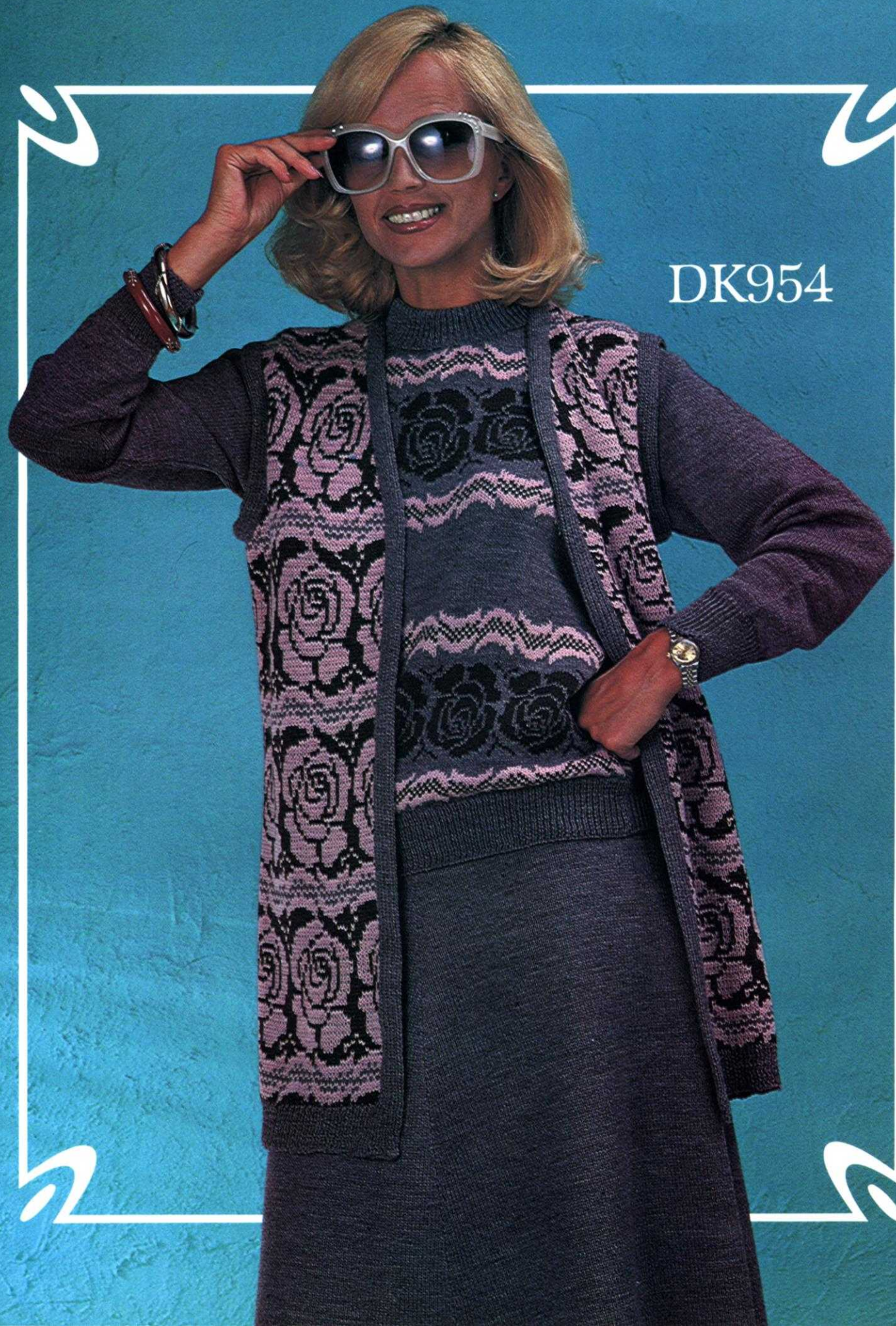




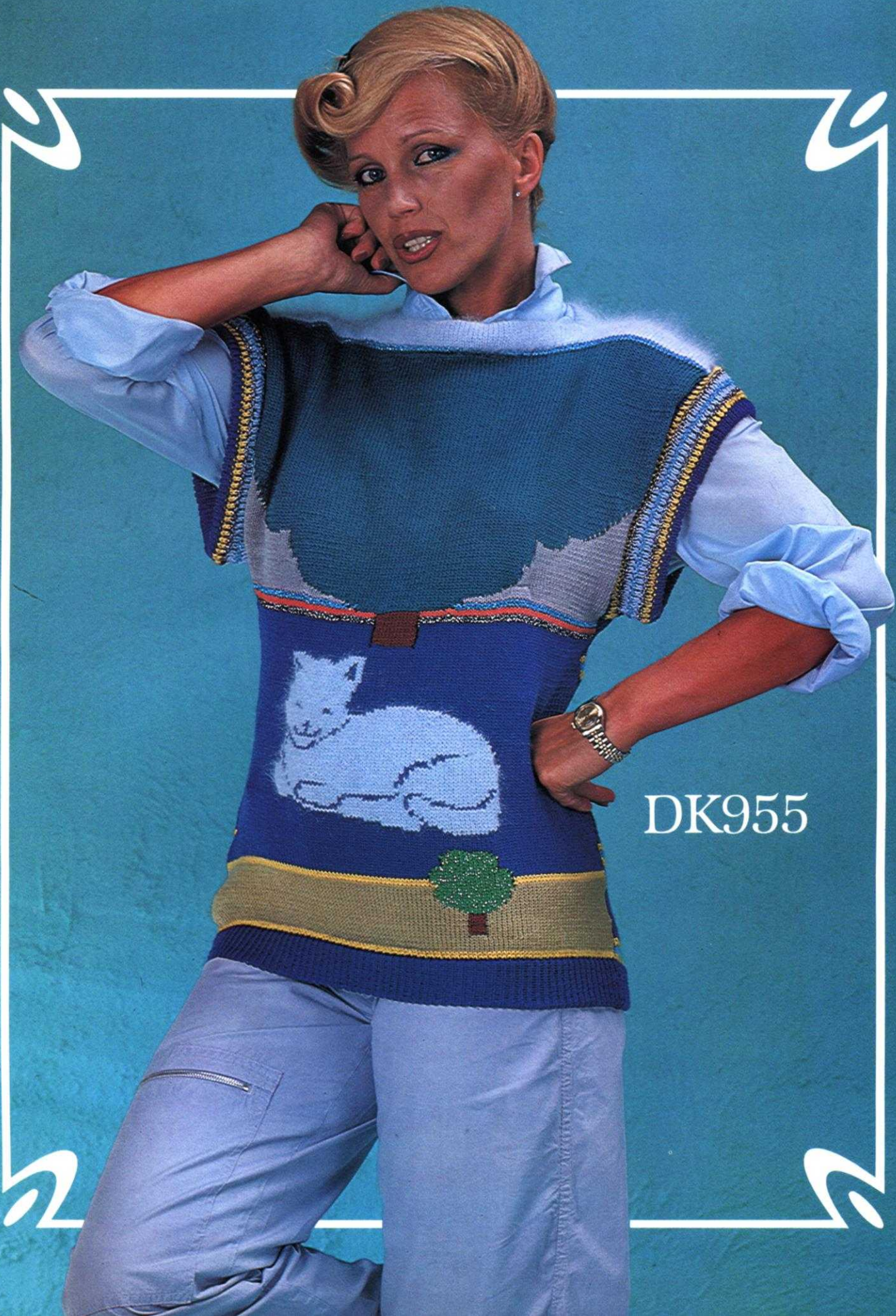
DK950



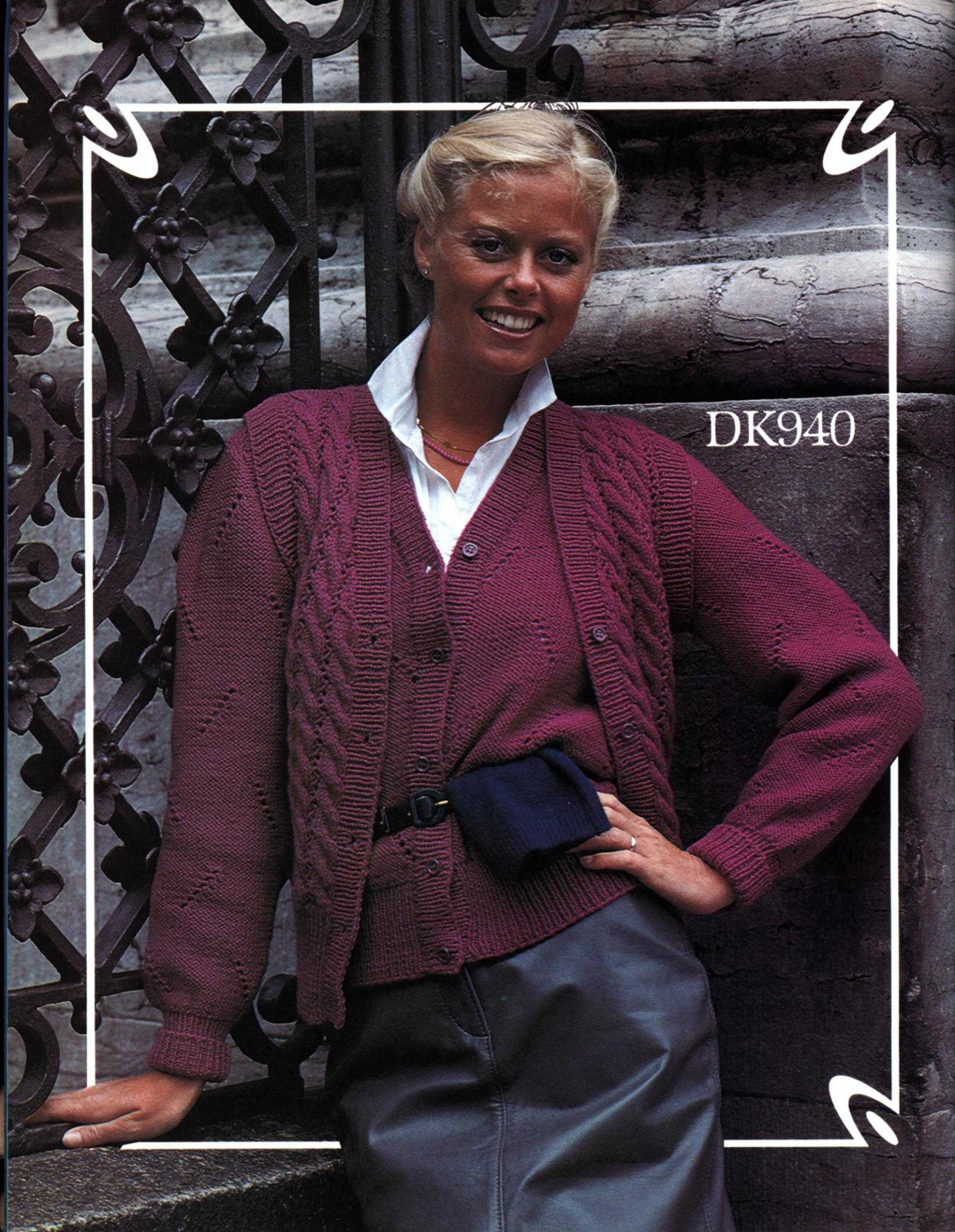
DK957



DK954



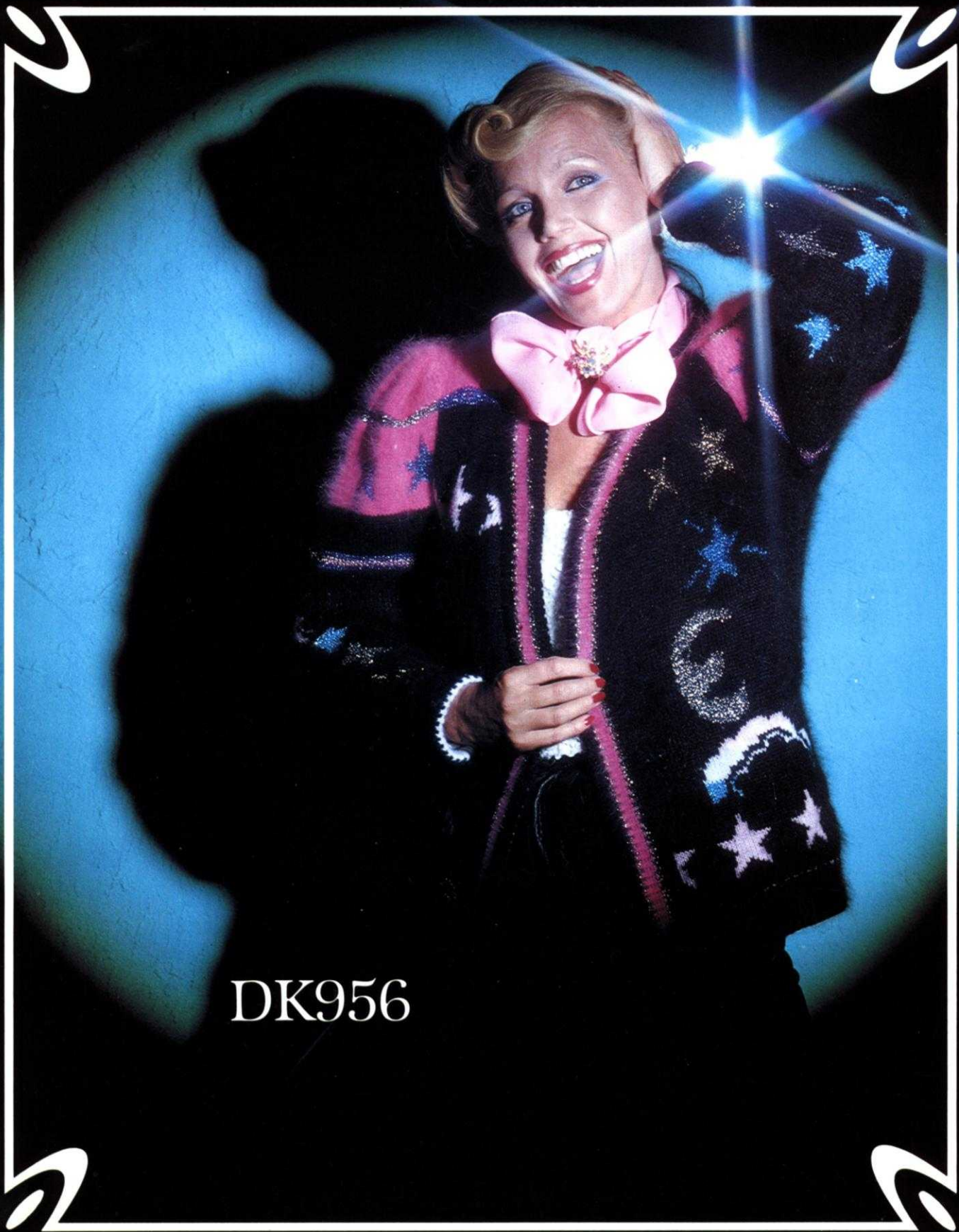
DK955



DK940



DK941



DK956

knitking

magazine

<u>TABLE OF CONTENTS</u>	<u>PAGE NO.</u>
DK 938 Woman's Pullover.....	14
DK 939 Woman's Jacket.....	15
DK 940 Woman's Jacket & Vest.....	16
DK 941 Woman's Dress.....	18
HP 942 Man's Pullover.....	20
KK 943 Girl's Two-piece Suit.....	21
KK 944 Child's Pullover.....	22
DK 945 Woman's Pullover.....	23
DK 946 Woman's Dress.....	24
DK 947 Woman's Three-piece Suit....	25
HP 948 Man's Pullover.....	27
HP 949 Man's Pullover.....	28
DK 950 Woman's Pullover.....	29
DK 951 Woman's Pullover.....	30
KK 952 Girl's Dress.....	30
KK 953 Girl's Dress.....	32
DK 954 Woman's Skirt, Pullover & Vest.....	33
DK 955 Woman's Pullover.....	36
DK 956 Woman's Jacket.....	36
DK 957 Woman's Cardigan.....	38
DK 958 Woman's Pullover.....	39

Publisher: KNITKING CORPORATION, 1128 Crenshaw Blvd., Los Angeles, Calif. 90019. Telephone: (213) 938-2079. Published bi-monthly. Subscriptions: USA — \$15.00 annually, single copies \$4.00; Canada — \$18.00; other parts of the world — \$20.00. The entire contents of KNITKING MAGAZINE are copyright and must not be reproduced in any shape or form without the express permission, in writing of the publisher. ©COPYRIGHT 1981 by KNITKING CORPORATION.

editorial

Make a note of the date, October the 12th through October 17th... That is when KNITKING intends to hold its annual 'SEMINAR and OPEN HOUSE' in 1981. We are already receiving inquiries, some from as far away as Europe, Australia, New Zealand and Canada from KNITKING MAGAZINE subscribers who plan to be with us.

The Seminar will again be held at our premises in Los Angeles and as usual we will have a team of knitting experts and personalities on hand to educate and entertain you... We always have something new and exciting to introduce at our Seminars (last year it was the fabulous Compuknit KH 910 Electronic Machine) and we assure you in advance that this year will be no exception.

There is a group of machine knitters fortunate enough to have the time and the wherewithal to travel around the U.S. attending one Knitting Seminar after another. Members of this group assure us that the KNITKING Open House is the best organized, the most interesting and the most fun of them all. If you intend joining us at our Seminar and Open House and there is something particular you would like to see demonstrated, please let us know well in advance so that we can consider including it in our program.

We accumulate large amounts of top quality yarns prior to our Seminar and we offer it, along with all knitting accessories, at substantial discounts.

We are featuring several excellent Pingouin yarns in this issue of KNITKING MAGAZINE. Pingouin is undoubtedly one of the worlds largest producers of top quality hand knitting yarns... The parent company is French and with distribution centers on both side of the U.S. continent, more and more yarn shops are stocking their excellent range... For garments in this issue calling for Pingouin yarns, you can either purchase direct from your local yarn shop or you can order by mail from KNITKING.

knitking announces their

SEMINAR

and open house

1981

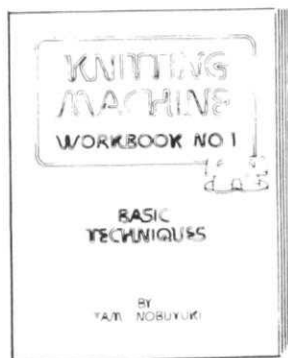


On the premises at 1128 Crenshaw Blvd., Los Angeles, Calif. 90019. Commencing Monday, October 12th and running through Saturday, the 17th. During the five weekdays the Seminar will operate from 10 a.m. until 4 p.m., and on Saturday from 10 a.m. until 1 p.m.

Admission will be FREE - Coffee and Doughnuts will be available at 9:30 a.m. daily. Plan to be with us and to meet the knitting experts at KNITKING. Classes and Lectures on all phases of machine knitting - Measuring - Charting, etc., will continue throughout every day.

KNITTING MACHINE WORKBOOKS

By Tami Nobuyuki



BOOK 1. BASIC TECHNIQUES is a complete instruction course for all makes of single bed machines - including tips and techniques - all clearly illustrated - enabling the reader to become fully skilled and knowledgeable on her own machine.

BOOK 2. BASIC RIBBER TECHNIQUES is a comprehensive instruction guide for all makes of ribbing attachments - packed full of tips and illustrations showing how to get the most from your ribber.

BOOK 3. PATTERN KNITTING TECHNIQUES which includes instructions for patterning on push button & manual machines as well as automatic punchcard machine - designing and punching your own pattern cards including lace and ideas for creative knitting.

PRICES

Workbook 1	\$13.95
Workbook 2	\$15.95
Workbook 3	\$16.95

Available from your local dealer or send to KNITKING: 1128 Crenshaw Blvd., Los Angeles, Calif. 90019.

I enclose payment for _____ Shipping costs \$1.25 ea.
Workbook 1 — 2 — 3 — (Canada) \$2.75 ea.
Calif. residents add Sales Tax.

Name

Address

.....

ZIP

General Instructions

HOW TO READ THE CHARTS AND INSTRUCTIONS

There are 3 sizes given for each Pattern in KNITTING MAGAZINE. Above each Chart for the different sizes, you will see that the first and smaller sizes might be shown as 8/10, the second size as [12/14] and the third as [16/18]. Check the measurements at the bustline and hips on the Charts to be certain that you will knit the correct size, remembering these are ACTUAL measurements of the completed section and that there must be a bigger allowance at the bustline and hipline for a Jacket or a Coat than there would be for a fitted dress or a fitted blouse or pullover. The question in your mind should be "How do I want this garment to fit...?"

When you have chosen the size you need, you can follow the Charts as shown. You will notice that where the shapings are the same FOR ALL SIZES, only 1 set of shapings will be shown on the first Chart and if you are knitting the 2nd or 3rd size, you simply follow the shapings as given for the first size. If the shapings are different, this will be shown on the Charts and you should follow them as given.

On the Charts, increases and decreases will be shown as follows

5x1
6 The number in the box means number of ROWS between the shapings, while the 5x1 above the box means - 1 st. 5x... so you will increase or decrease 1 st. every 6th row 5x.

ARMHOLE SHAPINGS - NECK SHAPINGS - SHOULDER SHAPINGS - are made on every 2nd row UNLESS there is a number in a box along side or below the shapings. The rule is... where there is no box with a number, the shaping is made on every 2nd row.

THE PRINTED INSTRUCTIONS

You can follow the printed instructions or use them in combination with the Charts. Where there is any question in the printed instructions, you have the Charts to show you how the section will look.

The 3 sizes, with the different amounts of cast on stitches and the different shapings will look like this...

Cast on 124 (136) [148] sts. You will
Cast on 124 sts. for the first size.
Cast on 136 sts. for the 2nd size.
Cast on 148 sts. for the 3rd size.

The important thing to remember is that you MUST READ AHEAD so that you KNOW what to do for the size you are knitting. Sometimes where the number of stitches are the same but the number of times different, you will find shapings like this...
3 sts. 1x (2x) [3x], 2 sts. 1x (2x) [3x], 1 st. 3x (4x) [5x].
As you see, you MUST read ahead in order to follow the instructions as given for YOUR SIZE. The rows will be different for the different sizes in some cases... Shoulder and Neck shapings usually are worked at the SAME TIME for the back section - so watch for the words AT THE SAME TIME.

HOLDING STITCHES ON THE LEFT SIDE WHILE SHAPING THE RIGHT SIDE

When knitting a section of garment in stockinette stitch, it is easy to hold the stitches on the left side while knitting the right half, but when knitting a Pattern Stitch such as a Norwegian Design, a Holding Position Design, Weaving, etc., you should use the following method. For the NECK SHAPING, we tell you to bind off the center sts., put the needles on the left into holding position and complete the right half first... so with a strand of contrast yarn, knit ALL of the left side stitches manually by hand, pulling each stitch back against the needle bed to the OUT OF WORK position. When the right side is completed, carefully pull the stitches held on contrast, forward into working position and as you do so, undo the contrast yarn, line up the needles (KNITTING AM 3 machine owners, put the stitches under the sinkers) and complete the left half.

If you own a Japanese machine, you may find that when knitting the right half with the left side held in this way, the sinker plate will mark the left side while you are knitting the right half. To prevent this marking, you can tape a piece of paper over the knitting, underneath the sinkers, or if you own a Reversing Bar, you can hang this onto the Sinkers while you are knitting the right half. When hanging the Reversing Bar, be sure the eyes of the bar go BETWEEN the Sinker Posts on the upper part of the bar so that the tips of the bar only - show above the needle bed.

FULL FASHION DECREASING OR INCREASING

For Stockinette stitch, always use the Full Fashion method for increasing or decreasing.

TO DECREASE: Hang the 3rd stitch onto the 2nd stitch then move the stitches in to fill the empty needle.

TO INCREASE: Move the 2 end stitches 1 needle outward, then pick up the 3rd stitch from the row below and hang it onto the empty needle.

FINISHING: Block all sections. For PULLOVERS, JACKETS, and DRESSES: Join front to back at sides and shoulders. Sew sleeves together and set in. Hem lower edge and sleeve edges if needed. For a double neckband or armhole band, sew 1 edge to the inside and 1 to the outside of neck or armhole. For a single ribbed band, sew 1 edge to the outside of neck or armhole edge. For a cardigan or jacket with buttonholes, finish buttonholes and sew on buttons.

PANTS: Join front to back at sides. Sew inside leg seams, then join center front and back. Make hem at waistline and insert elastic. Hem lower edge of pants legs.

THE SAMPLE SWATCH

Before you begin to knit any garment, you will need to knit a sample piece using the yarn you have chosen for your garment, so that you can check the stitch and row gauge which must measure the correct number of stitches and rows in 5 cm (2 inches).

For each Pattern in KNITTING MAGAZINE, we give you 3 tension numbers to work from and if you use the specified yarn for the garment, you should be able to get the correct stitch and row gauge using one of these numbers. Here is a very easy way to make your sample swatch and count the stitches and rows without actually counting, by using our KNITTING Converta Tape.

Supposing the Tension Numbers for the Stitch and Row Gauge are given as 5 to 7. Set the Tension Dial to the first number which is 5. With contrast waste yarn, and using the quick cast on method, cast on 60 stitches and knit 10 rows. Change to garment yarn and turn the Row Counter to 0. Knit 30 rows. Counting from each end, knit the 10th stitch on each side by hand with a small piece of contrast yarn. Leave the needles in working position and knit 30 rows (Row 60), then knit 4 rows with contrast waste yarn. Turn the Row Counter to 0 and the Tension Dial to 6 and with garment yarn, knit 30 rows. Mark the 10th stitch on each side as you did before, knit 30 rows, then 4 rows with contrast waste yarn. Turn the Row Counter to 0 and with Tension 7, repeat the above once more, ending with 10 rows of contrast waste yarn. Remove the work from the machine by passing the Slide across the needles without yarn (sometimes called 'dropping').

Pull and stretch the sample piece both lengthwise and diagonally from corner to corner, then lengthwise again. Do not count the stitches and rows immediately, but allow the sample to rest for several hours or even over night. This will allow the stitches and rows to return to their basic form.

When your sample has rested and you are ready to count the stitches and rows, the KNITTING CONVERTA TAPE will do the counting for you without any counting on your part. Use the Tape as follows:

Measure the stitches with the TAPE, BETWEEN the 40 stitches marked with contrast waste yarn. Push the SLIDE so that the LEFT EDGE lines up to this exact measurement. Now look down along side the SLIDE and find the number 40 on the TAPE. The number directly opposite on the SLIDE will be your Stitch Gauge to 5 cm (2"). To find the number of rows in 5 cm (2"), place the TAPE to measure over the 60 rows, push the SLIDE to this number with the left edge lined up, then look for the number 60 on the TAPE and directly opposite this will be the number of rows to 5 cm (2")

If you do not own a KNITTING CONVERTA TAPE, you must mark a 5 cm (2 inch) square in the center of the knitting, then count the number of stitches and rows within the square.

DK938

WOMAN'S PULLOVER

SIZES: 8/10 (12) [14]
 YARN: Amore
 GRAMS: 400 450 450
 TENSION: 7 to 9
 GAUGE: 13 sts., 20 rows = 5 cm (2")

An isolated Lace Pattern (See Note below). Punch your own Card. Bands are K1, P1 Ribbing.

FINISHING: See General Instructions.

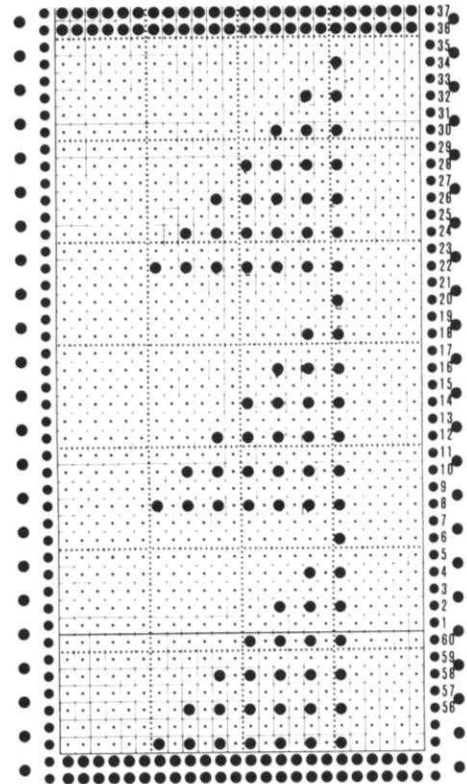
NOTE: Each set of Triangle Lace Pattern is staggered (see picture) so for each set, you must push selected needles back into working position as follows: On the first set, always push back the selected needles in the CENTER. For the next set, push back the selected needles for the Pattern ON EACH SIDE of center - etc., etc. You should have 2 Patterns first, then one pattern then 2 again then one and then 2. Alternate the patterns on the sleeve as well.

IMPORTANT: - You will move the Lace Carriage twice, once to the right then back to left and ALWAYS KNIT 4 ROWS BETWEEN the Eyelets. The stitches always must transfer to the left.



CAP:

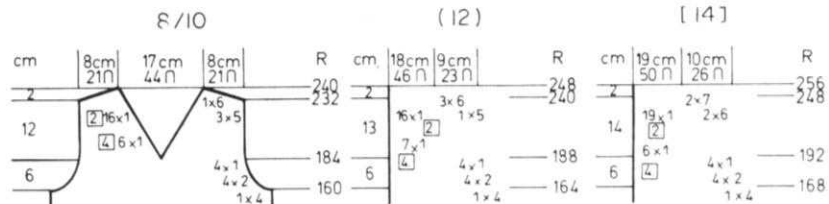
Cast on 130 sts. and work 16 rows Ribbing. Continue in Pattern. Remember to knit 4 rows first.
 ON EACH SIDE, ON EVERY 3rd Row decrease EVERY 7th st. by hanging it onto next needle and move the sts. in to fill empty needles. Begin with the 3rd st. from the edge.
 Complete one pattern, then divide into 4 sections and continue in Stockinette. Work one section at a time and ON EACH side of each section, decrease 1 st. every 2nd row 11x. Remove the remaining sts. onto strand of yarn and pull them up. Sew sections together and seam the back.



PULLOVER FRONT: I

Work the front the same as the back to Row 160 (164) [168].
 SHAPE ARMHOLE same as the back and after Row 184 (188) [192], divide in the center and put the needles on the left into holding position and complete the right side first.

*ON NECK SIDE, decrease 1 st. every 4th row 6x, every 2nd row 16x. (every 4th row 7x, every 2nd row 16x). [every 4th row 6x, every 2nd row 19x]. After Row 232 (240) [248], SHAPE SHOULDER same as the back. Bring the needles on the left into working position, turn the Row Counter back to 184 (188) [192] and complete the left half. Follow the instructions from *.



PULLOVER BACK: II

Cast on 118 (124) [134] sts. and work 32 rows Ribbing. Continue in Pattern (always start with 4 rows Stockinette stitch before beginning Punch Card).

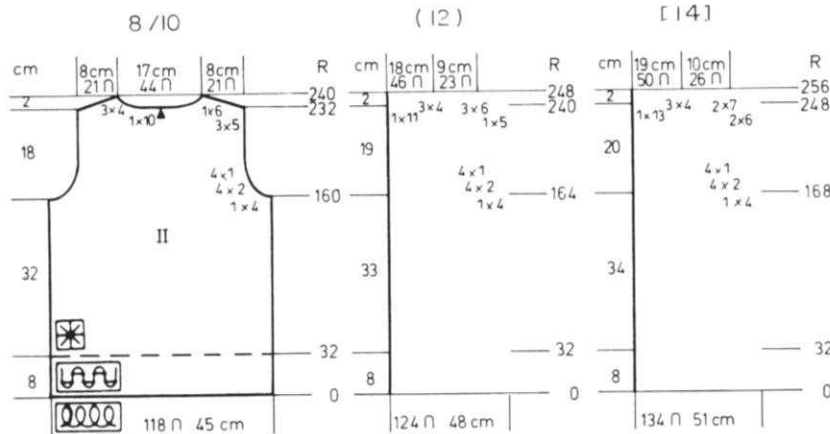
Knit to Row 232 (240) [248]. Put half the sts. on the left into holding position and complete the right side first.

*SHAPE SHOULDER AND NECK AT THE SAME TIME.

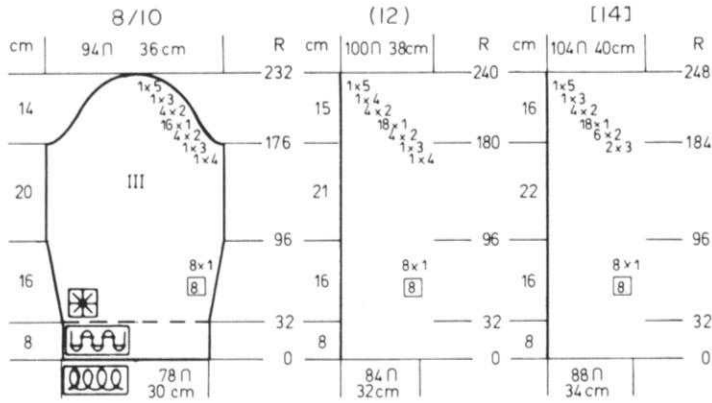
FOR SHOULDER, bind off 5 sts. 3x, 6 sts. 1x (5 sts. 1x, 6 sts. 3x) [6 sts. 2x, 7 sts. 2x]. After Row 160 (164) [168], SHAPE ARMHOLE: ON EACH SIDE, Bind off 4 sts. 1x, 2 sts. 4x, 1 st. 4x for all sizes.

FOR NECK, bind off 10 (11) [13] sts. 1x, then 4 sts. 3x for all sizes.

Bring the needles on the left into working position, turn the Row Counter back to 232 (240) [248] and complete the left half. Follow the instructions from *.



DK938



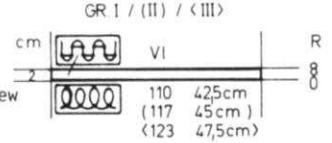
SLEEVES: III

Cast on 78 (84) [88] sts. and work 32 rows Ribbing. Continue in Pattern (don't forget to knit 4 rows first before beginning Lace Card).

ON EACH SIDE, increase 1 st. every 8th row 8x for all sizes. After Row 176 (180) [184], SHAPE CAP: ON EACH SIDE, PLEASE FOLLOW THE BIND-OFFS as given for YOUR SIZE.

NECKBAND: VI

Cast on 110 (117) [123] sts. and work 8 rows Ribbing. Bind off or remove onto contrast waste yarn. Sew to neckline as shown in picture.



DK939

WOMAN'S JACKET

SIZES: 8/10 (12) [14/16]
 YARN: Vienna
 GRAMS: 500 500 550
 TENSION: 8 or 9
 GAUGE: 13 sts. 20 rows = 5 cm (2")

Stockinette stitch with a Cable Design throughout the Cardigan. Bands remain in Stockinette stitch.

FINISHING: See General Instructions. Work a slip stitch crochet down the front band edges.

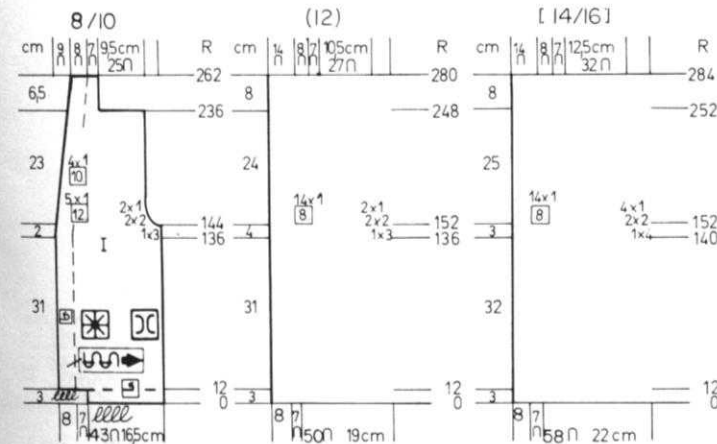
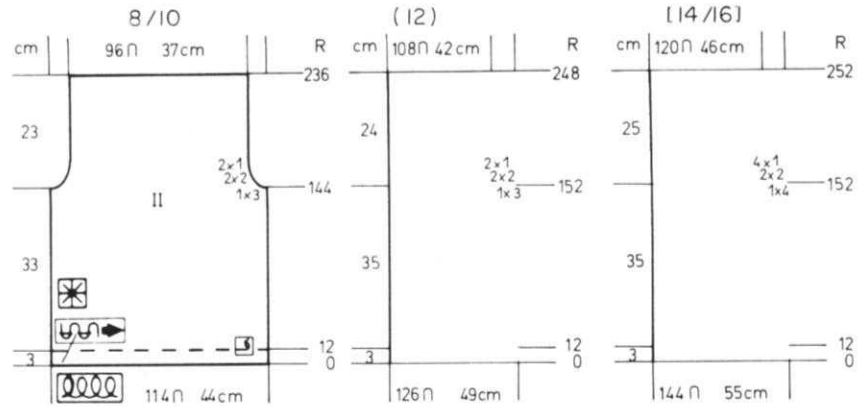
NOTE: The Cables are worked over 4 stitches - 2 plus 2 and there are 4 stitches between each cable. Knit 4 rows between the cables and ALWAYS transfer the cable stitches in the same direction. Use 2 double transfer tools and transfer the 2 sts. on the right to the 2 left empty needles, then place the 2 sts. from the left onto the right empty needles. Bring all the cable stitches into holding position after they are transferred (this will make certain they knit off properly when you knit the next row. Knit 4 rows then repeat the Cables, etc.



BACK: II

Cast on 114 (126) [144] sts. and work 12 rows Stockinette stitch. Knit 1 row Tension 10 for turning ridge. Knit 4 rows and begin the Cables. Hang the hem after Row 24 if you wish. Continue in Pattern to Row 144 (152) [152].

SHAPE ARMHOLE: ON EACH SIDE, bind off 3 sts. 1x, 2 sts. 2x, 1 st. 2x. (Same as first size). [4 sts. 1x, 2 sts. 2x, 1 st. 4x]. After Row 236 (248) [252], bind off or remove onto waste yarn.



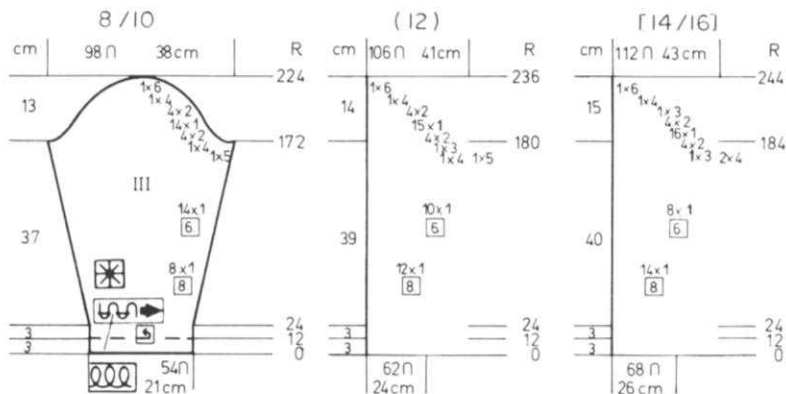
FRONT: I Make 1, reverse 1.

Cast on 43 (50) [58] sts. and work Stockinette stitch to Row 12. ON THE LEFT, (right for 2nd section), cast on 15 sts. Knit 4 rows. Continue in Pattern and hang the hem at Row 24. Keep Band sts. in Stockinette. Knit to Row 136 (136) [140].

SHAPE FRONT EDGE: Transfer the 16th st. from the front edge onto the next needle to the right, then move the 15 band sts. in to fill empty needle. REPEAT every 12th row 4x MORE then decrease 1 st. every 10th row 4x. For 2nd and 3rd sizes, decrease 1 st. in the same way as first size every 8th row 14x.

AT THE SAME TIME, After Row 144 (152) [152] SHAPE ARMHOLE same as the back. After Row 236 (248) [252], Bind off 25 (27) [32] sts. and continue band to Row 262 (280) [284]. Remove the sts. onto waste yarn.

DK939



SLEEVES: III

Cast on 54 (62) [68] sts. and work the first 24 rows same as back. Hang the hem and continue in Pattern as before. ON EACH SIDE, increase 1 st. every 8th row 8x, every 6th row 14x. (every 8th row 12x, every 6th row 10x). [every 8th row 14x, every 6th row 8x]. After Row 172 (180) [184], SHAPE CAP: PLEASE FOLLOW THE CAP SHAPING ON EACH SIDE as shown on the Chart for your size.

DK940

WOMAN'S JACKET & VEST

SIZES:	10/12	(14)	[16]
YARN:	Vienna		
GRAMS:			
VEST	300	350	350
JACKET	450	500	500
TENSION:	7		
VEST	9		
JACKET	7 to 9		
GAUGE:			
VEST:	16 sts. 22 rows = 5 cm (2")		
JACKET:	13 sts. 20 rows = 5 cm (2")		



The Jacket is an eyelet Design with K1, P1 Ribbing for the Bands. Punch your own Lace Card. The Vest is knitted on the Ribber and Main machine with a combined cable and open stitch design.

FINISHING: See General Instructions.

NOTE: Needle Set-up for the VEST.

IIIIII...IIIIII... = Main Machine
III.....III = Ribber
 PATTERN FOR THE VEST

Knit 2 rows

*Hang the right outside stitch of each set of 3 Ribber sts. onto the center Ribber needle. Leave empty needle in work, knit 2 rows. Hang the left outside stitch of each set of 3 Ribber sts. onto the center Ribber needle. Leave empty needle in work. Knit 2 rows.

REPEAT FROM * for Pattern and AT THE SAME TIME, ON EVERY 12th row, Make Cables over the 6 main machine stitches, using two 3 needle transfer tools.

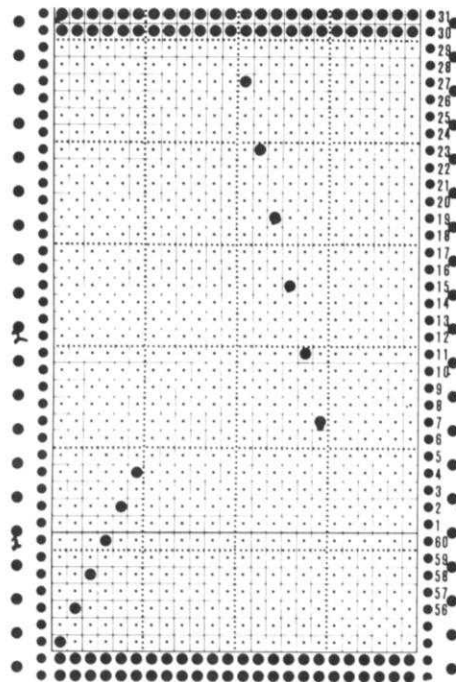
*12 Rows Lace

12 Rows Stockinette Stitch

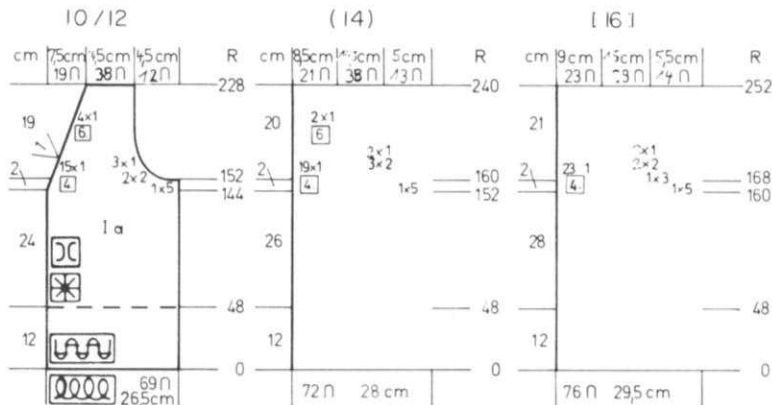
REPEAT FROM * for Pattern.

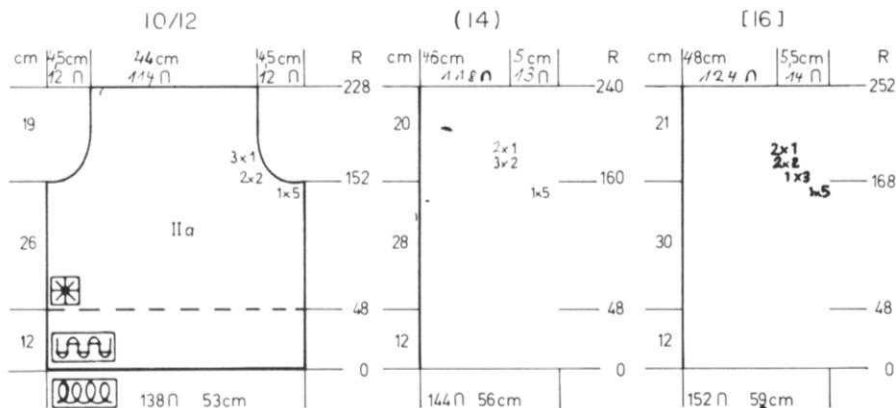
JACKET FRONT: 1a Make 1, reverse 1.

Cast on 69 (72) [76] sts. and work 48 rows Ribbing. Continue in LACE Pattern. Knit to Row 144 (152) [160]. SHAPE FRONT EDGE: Decrease 1 st. every 4th row 15x (19x) [23x], every 6th row 4x (2x) AND AT THE SAME TIME SHAPE ARMHOLE SAME AS THE BACK after Row 152 (160) [168]. After Row 228 (240) [252], bind off or remove onto waste yarn.



JACKET



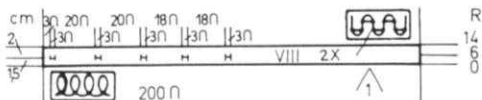
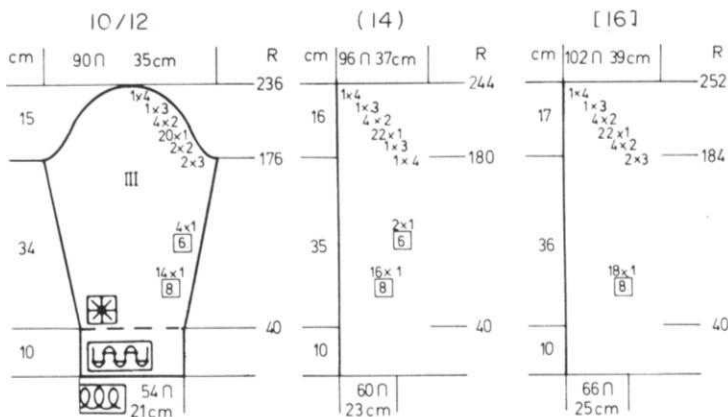


JACKET BACK: IIa

Cast on 138 (144) [152] sts. and work 48 rows Ribbing. Continue in LACE Pattern. After Row 152 (160) [168], SHAPE ARMHOLE: ON EACH SIDE, bind off 5 sts. 1x, 2 sts. 2x, 1 st. 3x. (5 sts. 1x, 2 sts. 3x, 1 st. 2x). [5 sts. 1x, 3 sts. 1x, 2 sts. 2x, 1 st. 2x]. After Row 228 (240)[252], bind off or remove onto waste yarn.

SLEEVES: III

Cast on 54 (60) [66] sts. and work 40 rows Ribbing. Continue in LACE Pattern. ON EACH SIDE, increase 1 st. every 8th row 14x (16x) [18x] then every 6th row 4x (2x). After Row 176 (180) [184], SHAPE CAP: Please follow the bind-offs ON EACH SIDE for the Cap Shaping in YOUR SIZE.



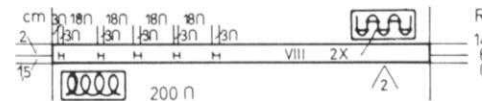
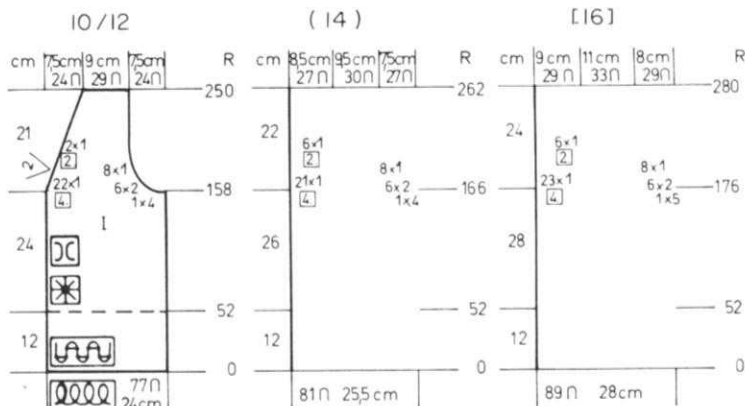
FRONT & NECK BANDS. Make 2. Omit Buttonholes in 2nd piece.

Cast on 200 sts. and work in Ribbing. Make 5 Buttonholes as shown on the Chart. After Row 14, bind off or remove onto waste yarn.

VEST FRONT: I Make 1, reverse 1.

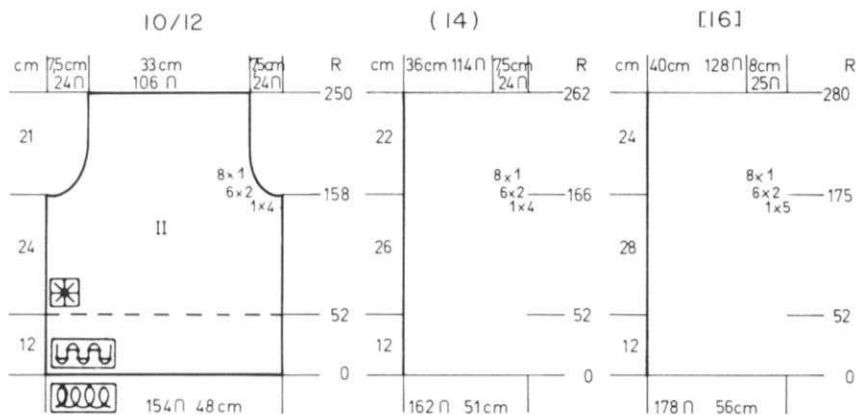
Cast on 77 (81) [87] sts. and work 52 rows Ribbing. Set up the needles same as the back and continue in Rib Pattern with Cables. Knit to Row 158 (166) [176]. SHAPE ARMHOLE SAME AS THE BACK AND AT THE SAME TIME, ON FRONT EDGE, decrease 1 st. every 4th row 22x (21x) [23x], every 2nd row 2x (6x) [6x]. After Row 250 (262) [280], bind off or remove onto waste yarn.

VEST



VEST FRONT & NECK BAND.

Make 2 and omit buttonholes in second piece. Cast on 200 sts. and work in Ribbing. After Row 6, make 5 Buttonholes as shown on the Chart. After Row 14, bind off or remove onto waste yarn.



VEST BACK: II

Cast on 154 (162) [178] sts. and work 52 rows Ribbing.
Set up the needles as shown in NOTE and continue in Rib Pattern with Cables. Knit to Row 158 (166) [175].
SHAPE ARMHOLE: ON EACH SIDE, bind off 4 sts. 1x, 2 sts. 6x, 1 st. 8x. (Same as first size).
[5 sts. 1x, 2 sts. 6x, 1 st. 8x].
After Row 250 (262) [280], bind off or remove onto waste yarn.
VEST ARMBANDS:

Sew the shoulder seams first and before sewing side seams, pick up the stitches around the armhole and work 14 rows Ribbing. Bind off.

DK941

WOMAN'S DRESS

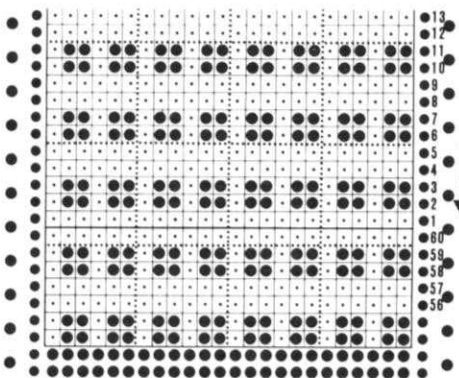
SIZES: 12 (14)
YARN:
color 1 Pingouin Pescadour
color 2 Amore
GRAMS:
color 1 750 850
color 2 150 200
TENSION:
Dress 9 or 10
Yoke 7 to 9
GAUGE:
Dress: 10 1/2 sts. 18 rows = 5 cm (2")
Yoke: 10 1/2 sts. 19 1/2 rows = 5 cm



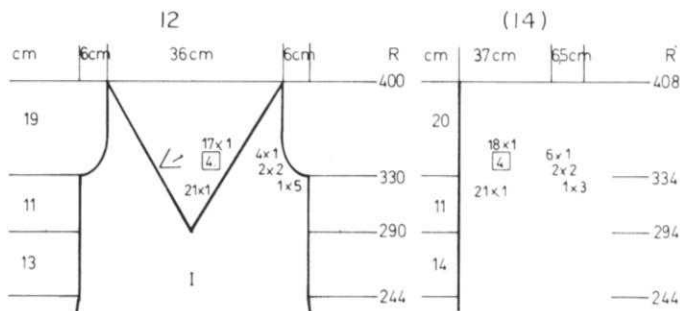
The dress is Stockinette stitch with the Yoke in a Norwegian Design. Punch your own Card for the Yoke.
The trim around Yoke and the Neckband are K1, P1 Ribbing.

FINISHING: See General Instructions. Put Yoke UNDER edge of band and sew in place. Fold Collar in half and sew to the outside. Work 1 row single crochet down back opening then sew in zipper (approx. 50 cm (19 3/4")).

NOTE: When working the Norwegian Design for Yoke, put the CONTRAST COLOR IN 'A' FEEDER, THE MAIN COLOR IN 'B' FEEDER.

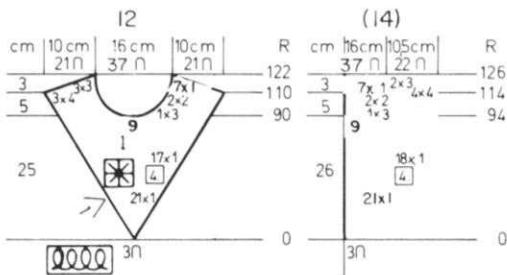


Continue to punch design on Card through Row 37, then punch 2 rows of holes for connecting Card.



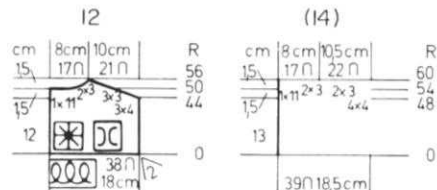
FRONT: I

Work the front the same as the back to Row 244. Knit to Row 290 (294). Put half the sts. on the left into holding position and complete the right side first.
*ON NECK SIDE, decrease 1 st. every 2nd row 21x, then every 4th row 17x (18x) BUT AT THE SAME TIME, after Row 330 (334) SHAPE ARMHOLE: Bind off 5 sts. 1x, 2 sts. 2x, 1 st. 4x. (3 sts. 1x, 2 sts. 2x, 1 st. 6x). Bring the needles on the left into working position, knit 1 row to the left side, turn the Row Counter back to 290 (294) and complete the left half. Follow the instructions from *.



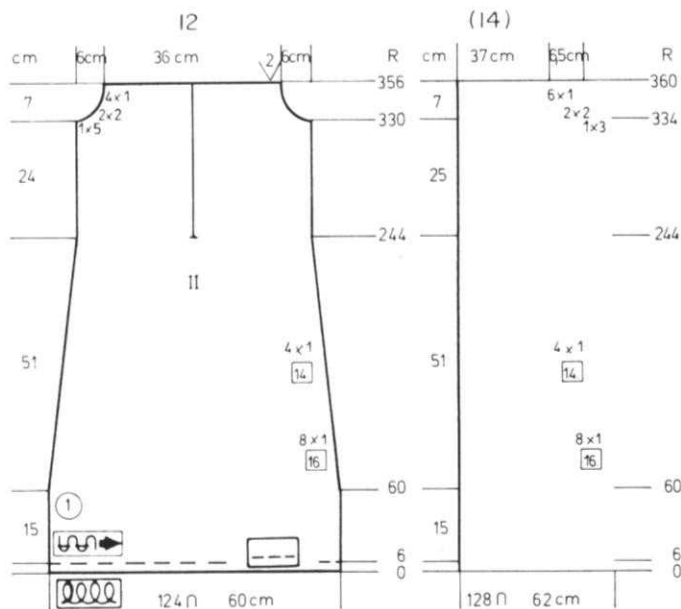
FRONT YOKE:

Cast on 3 sts. with color 2 and work in Pattern.
ON EACH SIDE, increase 1 st. every 2nd row 21x then every 4th row 17x (18x).
After Row 90 (94), bind off the center 9 sts., put the needles on the left into holding position and complete the right side first.
*ON NECK SIDE, bind off 3 sts. 1x, 2 sts. 2x, 1 st. 7x for both sizes AND AT THE SAME TIME after Row 110 (114), SHAPE SHOULDER. Bind off 4 sts. 3x, 3 sts. 3x. (4 sts. 4x, 3 sts. 2x).
Bring the needles on the left into working position, knit 1 row in Pattern to the left side, turn the Row Counter back to 90 (94) and complete the left half. Follow the instructions from *.



BACK YOKE: Make 1, reverse 1.

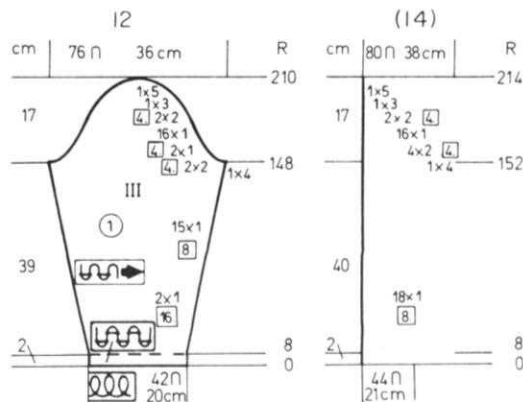
Cast on 38 (39) Sts. with Color 2 and work in Pattern.
After Row 44 (48) SHAPE SHOULDER: Bind off 4 sts. 3x, 3 sts. 3x, (4 sts. 4x, 3 sts. 2x).
AT THE SAME TIME, after Row 49 (53), ON NECK SIDE, bind off 11 sts. 1x, 3 sts. 2x for both sizes.



BACK: II

Cast on 124 (128) sts. with color 1 and work Stockinette stitch. Hang the hem after Row 12 (optional). After Row 60, ON EACH SIDE, decrease 1 st. every 16th row 8x, every 14th row 4x for both sizes. After Row 244, divide in the center. Put the needles on the left into holding position and complete the right side first.

*Knit to Row 330 (334). SHAPE ARMHOLE: Bind off 5 sts. 1x, 2 sts. 2x, 1 st. 4x. (3 sts. 1x, 2 sts. 2x, 1 st. 6x). After Row 356 (360), bind off. Bring the needles on the left into working position, knit 1 row to the left side, turn the Row Counter back to 330 (334) and complete the left half. Follow the instructions from *.



SLEEVES: III

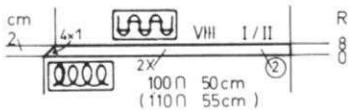
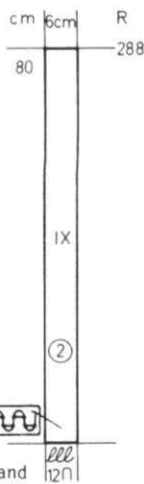
Cast on 42 (44) sts. with color 1 and work 8 rows Ribbing. Continue in Stockinette stitch. ON EACH SIDE, increase 1 st. every 16th row 2x, every 8th row 15x. (every 8th row 18x). After Row 148 (152) SHAPE CAP: PLEASE FOLLOW THE CHART for the bind-offs ON EACH SIDE for YOUR SIZE.

DRESS - FRONT BAND: Make 2. VIII

Cast on 100 (110) sts. with color 2 and work in Ribbing. ON THE RIGHT (left for 2nd section) decrease 1 st. every 2nd row 4x. After Row 8, hang the front of dress in the same way as for back band, making sure the decreases on edge of band will form the front 'V'.

BELT: IX

Cast on 12 sts. with color 2 and work 288 rows Ribbing. Bind off.

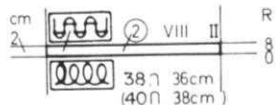
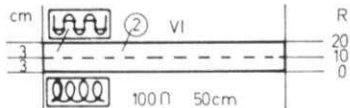


COLLAR: VI

Cast on 100 sts. with color 2 and work 20 rows Ribbing. Bind off or remove onto contrast waste yarn.

DRESS - BACK BAND: Make 2. VIII

Cast on 38 (40) sts. with color 2 and work 8 rows Ribbing. Transfer the Ribber sts. to main machine, then hang 1 section of back of dress to these sts. and bind off.



HP942

MAN'S PULLOVER

SIZES: 36/38 (40)
YARN: Pingouin Pescadou

GRAMS:
color 1 400 450
color 2 100 100
color 3 100 100
color 4 50 50

TENSION: 9 or 10

GAUGE: 10 1/2 sts. 15 rows = 5 cm (2")

Pat: 10 1/2 sts. 18 rows = 5 cm (2")

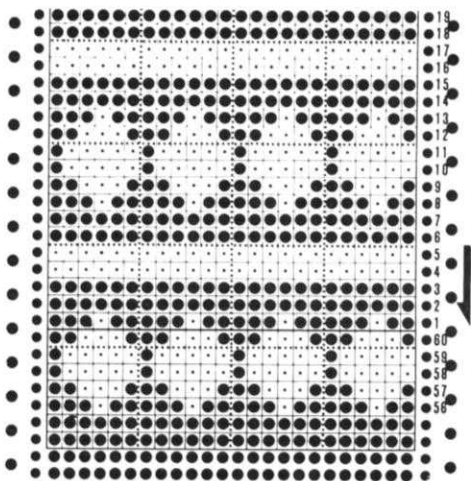


Stockinette stitch with a Norwegian Design. Punch your own Card and be sure to read the NOTE below for working the Card. Bands are K2, P2 Ribbing.

FINISHING: See General Instructions.

NOTE: Be sure to make a sample of the Punch Card knitting before making this pullover.

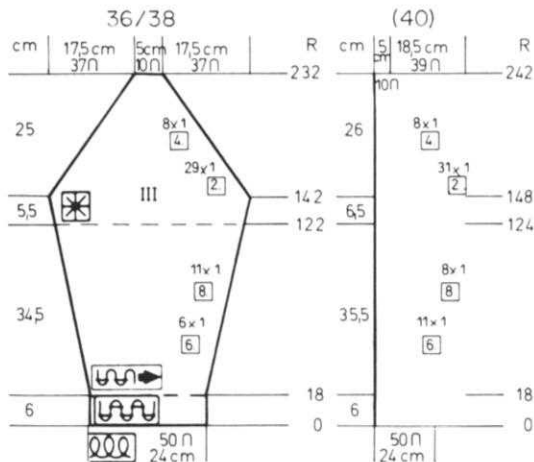
When Needles are selected to "D" position, REMOVE YARN FROM 'A' FEEDER and knit 2 rows with contrast color, then put MAIN YARN back into 'A' Feeder and continue. Remember to do this each time all the needles are selected to 'D' position.



Continue to punch design on Card through Row 29, then punch 2 rows of holes for connecting Card.

Begin Here

- 2 rows color 4
 - 6 rows colors 1 & 4
 - 2 rows color 4
 - 2 rows color 1
 - 2 rows color 3
 - 6 rows color 1 & 3
 - 2 rows color 3
 - 2 rows color 1
 - 2 rows color 2
 - 6 rows color 1 & 2
 - 2 rows color 2
 - 2 rows color 1
- REPEAT FROM BEGINNING

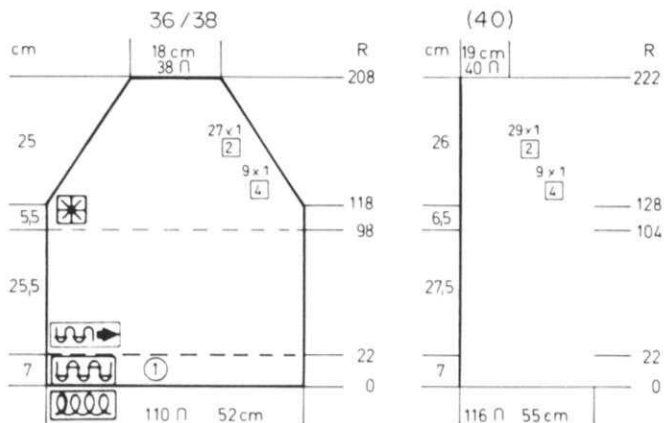
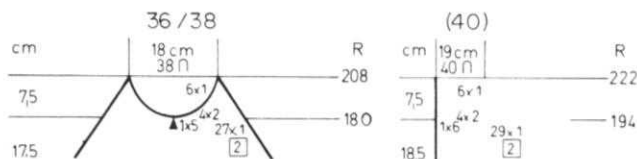


FRONT: I

Work the front the same as the back to Row 180 (194).

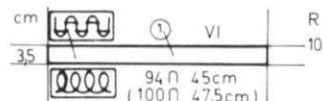
SHAPE NECK: Bind off the center 10 (12) sts., put the needles on the left into holding position and complete the right side first.

*ON NECK SIDE, bind off 2 sts. 4x, 1 st. 6x for both sizes. Bring the needles on the left into working position, knit 1 row in Pattern to the left side, turn the Row Counter back to 180 (194) and complete the left half. Follow the instructions from *.



BACK: II

Cast on 110 (116) sts. with color 1 and work 22 rows Ribbing. Continue in Stockinette stitch. Knit to Row 98 (104) then continue in Pattern. After Row 118 (128) SHAPE RAGLAN: ON EACH SIDE decrease 1 st. every 4th row 9x, every 2nd row 27x. (every 4th row 9x, every 2nd row 29x). After Row 208 (222), bind off the remaining sts.



NECKBAND: VI

Cast on 94 (100) sts. with color 1 and work 10 rows Ribbing. Bind off or remove onto waste yarn.

SLEEVES: III

Cast on 50 sts. with color 1 and work 18 rows Ribbing. Continue in Stockinette stitch. ON EACH SIDE, increase 1 st. every 6th row 6x, every 8th row 11x. (every 6th row 11x, every 8th row 8x). After Row 122 (124) continue in Pattern. After Row 142 (148), SHAPE RAGLAN. ON EACH SIDE, decrease 1 st. every 2nd row 29x (31x), every 4th row 8x (8x). After Row 232 (242), bind off the remaining sts.

KK943

GIRL'S 2-PIECE SUIT

SIZES: 6 (8)

YARN:

Color 1 Pingouin Eaux Vives
Color 2 Amore

GRAMS:

color 1 350 400 (WAX YARN)
color 2 50 50

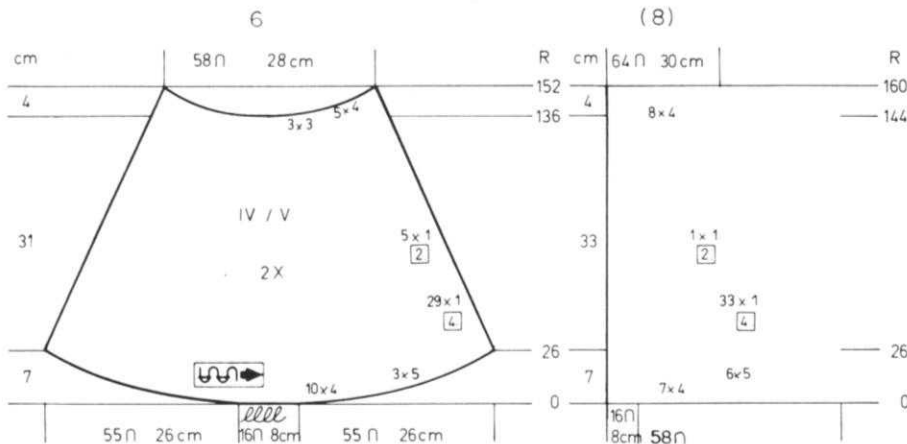
TENSION: 8 to 10

GAUGE: 10 1/2 sts. 18 rows = 5 cm (2")

Stockinette stitch with crochet edge using color 2 for trim around lower edge of skirt and all edges of Jacket.

FINISHING: See General Instructions.

Work a shell stitch of your choice around edges as shown in Picture.



SKIRT: Make 2 sections the same.

Cast on 16 sts. (or if you want you can cast on the full amount of 126 (132) sts. using waste yarn and use SHORT ROWS for bringing the sts. into work.

ON EACH SIDE, ON EVERY 2nd row, cast on 4 sts. 10x (7x) then 5 sts. 3x (6x).

After Row 26, on every 4th row, decrease 1 st. 29x (33x) then every 2nd row 1 st. 5x (1x).

After Row 136 (144), put half the sts. into holding position and complete the right side first.

*ON INNER EDGE, on every 2nd row bind off 3 sts. 3x, 4 sts. 5x. (bind off 4 sts. 8x).

Bring the needles on the left into working position, knit 1 row to the left side, turn the Row Counter back to 136 (144) and complete the left half. Follow the instructions from *.

JACKET FRONT: I Make 1, reverse 1.

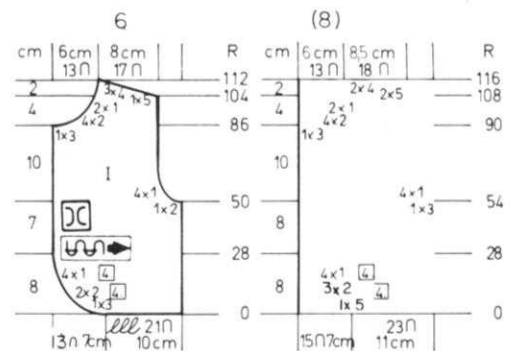
Cast on 21 (23) sts. and work Stockinette stitch.

ON THE LEFT (right for 2nd section cast on 3 sts. 1x, 2 sts. 2x, 1 st. 4x. (5 sts. 1x, 2 sts. 3x, 1 st. 4x). Knit to Row 50 (54).

SHAPE ARMHOLE same as the back then knit to Row 85 (89).

ON NECK SIDE, bind off 3 sts. 1x, 2 sts. 4x, 1 st. 2x for both sizes.

After Row 104 (108) SHAPE SHOULDER same as the back.



JACKET BACK: II

Cast on 72 (76) sts. and work Stockinette stitch.

Knit to Row 50 (54).

SHAPE ARMHOLE: ON EACH SIDE, bind off

2 sts. 1x, 1 st. 4x.

(3 sts. 1x, 1 st. 4x).

After Row 104 (108), put half the sts. on the left into holding position and complete the right side first.

*SHAPE SHOULDER AND NECK AT THE SAME TIME.

FOR SHOULDER, bind off

5 sts. 1x, 4 sts. 3x.

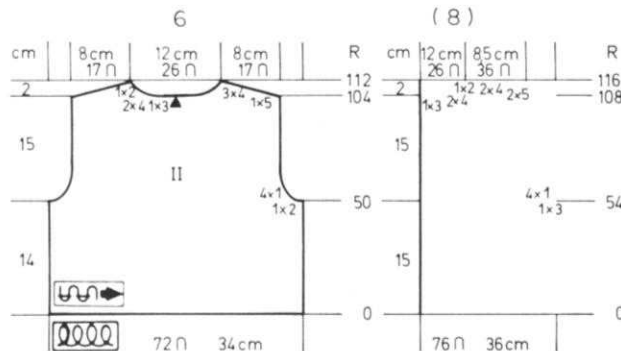
(5 sts. 2x, 4 sts. 2x).

FOR NECK, bind off

3 sts. 1x, 4 sts. 2x, 2 sts. 1x

for both sizes.

Bring the needles on the left into working position, knit 1 row to the left side, turn the Row Counter back to 104 (108) and complete the left half. Follow the instructions from *.



KK944



CHILD'S PULLOVER

SIZES: 6 (8)

YARN:

Color 1 Pingouin Eaux Vives
Color 2 Amore

GRAMS:

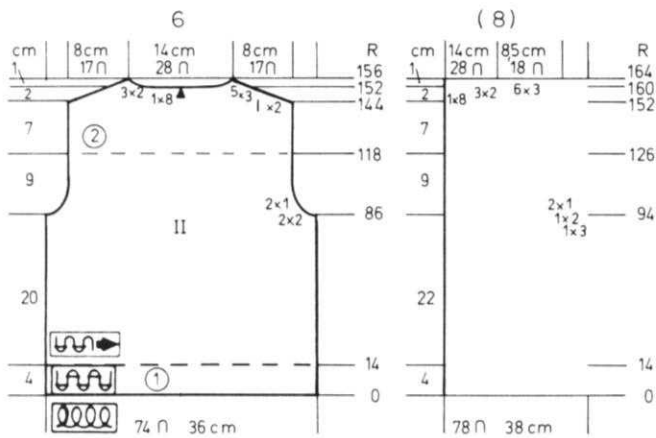
color 1 250 250 (WAX YARN)
color 2 100 100

TENSION: 8 to 10

GAUGE: 10 1/2 sts. 18 rows = 5 cm

Stockinette stitch with bands
in K1, P1 Ribbing.

FINISHING: See General Instructions.
Sew Pocket lining in place.



BACK: II

Cast on 74 (78) sts. with color 1 and work 14 rows Ribbing. Continue in Stockinette stitch. Knit to Row 86 (94). SHAPE ARMHOLE: ON EACH SIDE, bind off

2 sts. 2x, 1 st. 2x.
(3 sts. 1x, 2 sts. 1x, 1 st. 2x). After Row 118 (126), continue in color 2.

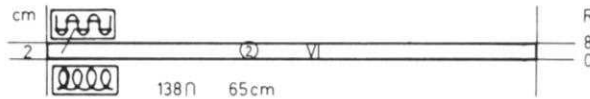
Knit to Row 144 (152). SHAPE SHOULDER (watch for Neck Shaping).

ON EACH SIDE, bind off 2 sts. 1x, 3 sts. 5x (3 sts. 6x)

BUT AT THE SAME TIME, after Row 152 (160), put half the sts. on the left into holding position and complete the right side first.

*ON NECK SIDE, bind off 8 sts. 1x, 2 sts. 3x for both sizes.

Bring the needles on the left into working position, knit 1 row to the left side, turn the Row Counter back to 152 (160) and complete the left half. Follow the instructions from * and don't forget to complete the shoulder shaping.

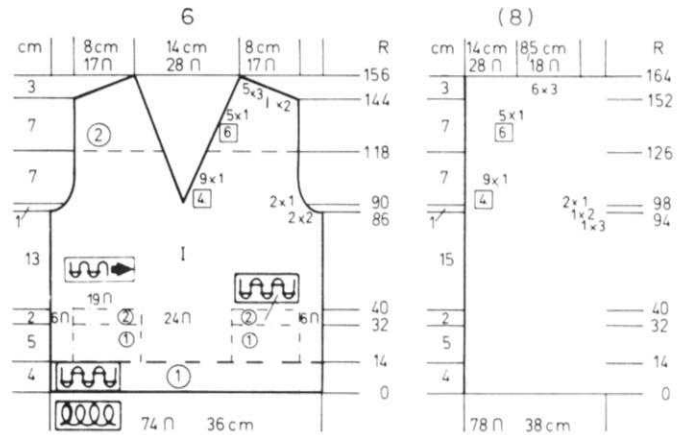


NECKBAND: VI

Cast on 138 sts. with color 2 and work 8 rows Ribbing. Bind off or remove onto waste yarn.

SLEEVES: III

Cast on 42 sts. with color 1 and work 14 rows Ribbing. Continue in Stockinette stitch. ON EACH SIDE, increase 1 st. every 14th row 4x, (6x) every 12th row 4x (2x). After Row 118 (122), SHAPE CAP: ON EACH SIDE, bind off for both sizes, 3 sts. 1x, 2 sts. every 4th row 2x, 1 st. every 2nd row 14x, 2 sts. 2x, 4 sts. 1x.



FRONT: I Make POCKET LINING FIRST

Cast on 74 (78 sts. with color 1 and work 14 rows Ribbing. Continue in Stockinette stitch. After Row 32, leave 6 sts. in work ON EACH SIDE, then remove the next 18 sts. onto a stitch holder. Hang the POCKET LINING onto the empty needles on each side and continue. Knit to Row 86 (94)

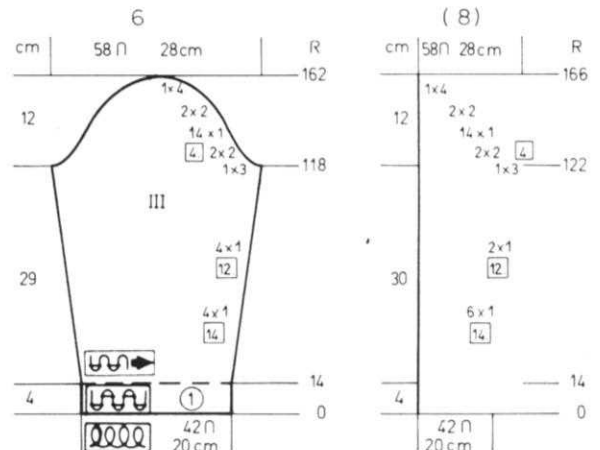
SHAPE ARMHOLE same as the back and AT THE SAME TIME, after Row 90 (98), divide in the center. Put the needles on the left into holding position and complete the right side first.

ON NECK SIDE, decrease 1 st. every 4th row 9x, every 6th row 5x for both sizes BUT AT THE SAME TIME, after Row 118 (126) continue with color 2. After Row 144 (152) SHAPE SHOULDER same as the back.

For the Pocket Band, pick up the sts. held on stitch holder, increasing 1 st (19 sts.) and with color 2, work 8 rows Ribbing. Bind off.

POCKET LINING: Make 2.

Cast on 18 sts. with color 1 and work 18 rows Stockinette stitch. Remove onto a stitch holder.



DK945

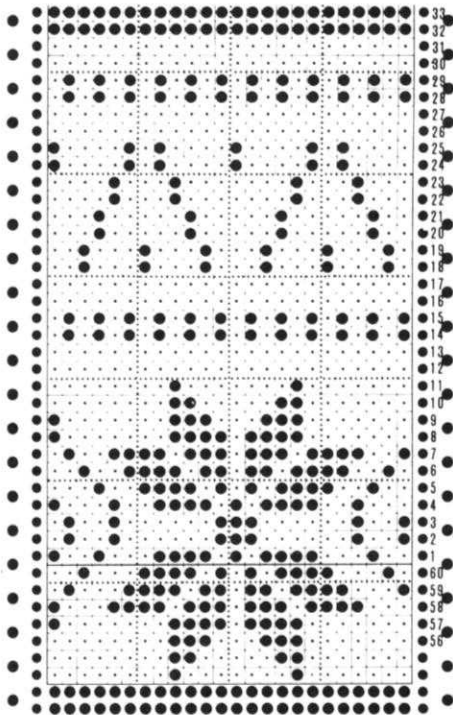
WOMAN'S PULLOVER

SIZES: 10/12 (14)
 YARN: Pingouin Oued
 GRAMS:
 color 1 200 250
 color 2 150 150
 color 3 150 150
 TENSION: 8 to 10
 GAUGE: 12 sts. 17 rows = 5 cm (2")



A Norwegian Design. Punch your own Card. The Bands are K1, P1 Ribbing.

FINISHING: See General Instructions.

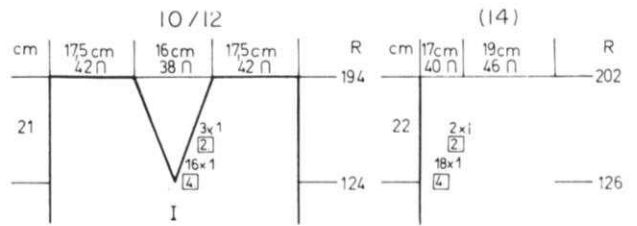


Begin here

- *8 rows colors 2 & 3
- 2 rows colors 2 & 1
- 8 rows colors 2 & 3
- 2 rows color 2
- 2 rows colors 1 & 2
- 2 rows color 1
- 8 rows colors 1 & 3
- 2 rows color 1
- 2 rows colors 1 & 2
- 2 rows color 2
- REPEAT FROM *

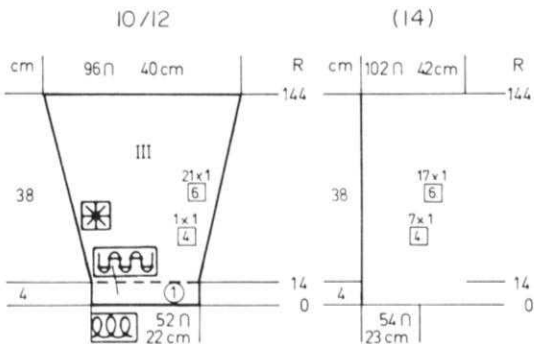
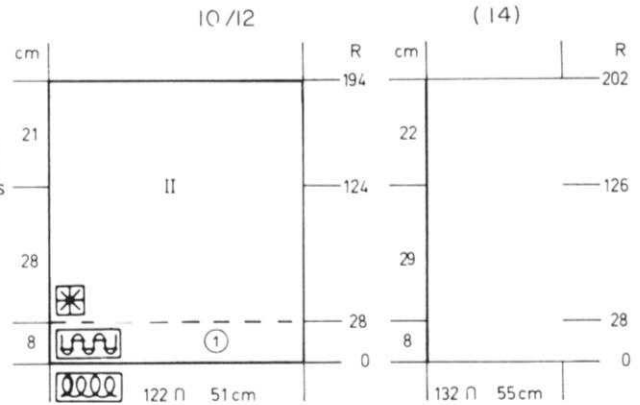
BACK: II

Cast on 122 (132) sts. with color 1 and work 28 rows Ribbing. Transfer the Ribber sts. to main machine and knit 2 rows Stockinette stitch with COLOR 2. (Note: On each section, you must always knit 2 rows Stockinette stitch with color 2 after the Ribbing and set Card on KC BEFORE knitting the 2nd row from left to right - then put Card on GO and push in MC Button. Continue in Pattern as given. After Row 124 (126) mark each side for setting in sleeves. Knit in Pattern to Row 194 (202) Bind off or remove onto waste yarn - 42 sts. for each shoulder and 38 for neck.



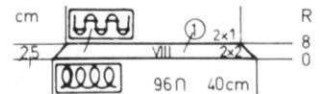
FRONT: I

Work the front the same as the back to Row 124 (126) Mark each side as back. Divide in the center. Put the needles on the left into holding position and complete the right side first.
 *ON NECK SIDE bind off 1 st. every 4th row 16x (18x) then every 2nd row 1 st. 3x (1 st. 2x) After Row 194 (202), bind off or remove onto waste yarn. Bring the needles on the left into working position, knit 1 row in Pattern to the left side, turn the Row Counter back to 124 (126) and complete the left half. Follow the instructions from *.



SLEEVES: III

Cast on 52 (54) sts. with color 1 and work 14 Rows Ribbing. Continue in Pattern (Knit 2 rows color 2 first as you did for back and front before knitting Card. ON EACH SIDE, increase 1 st. every 4th row 1x, (7x), every 6th row 21x (17x). After Row 144, bind off or remove onto waste yarn.



NECKBAND: VII Make 2.

Cast on 96 sts. with color 1 and work in Ribbing. ON EACH SIDE, on every 2nd row, decrease 2 sts. 2x, 1 st. 2x. After Row 8, bind off or remove onto waste yarn.

DK946

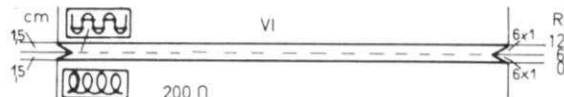
WOMAN'S DRESS

SIZES: 12/14 (16/18)
 YARN: Pingouin Pingoluxe
 GRAMS: 800 850
 TENSION: 7 to 9
 GAUGE: 14 sts. 17 rows = 5 cm (2")



Stockinette stitch with K1, P1
 Ribbing for the neck and sleeve
 bands. Worn on the Purl side.

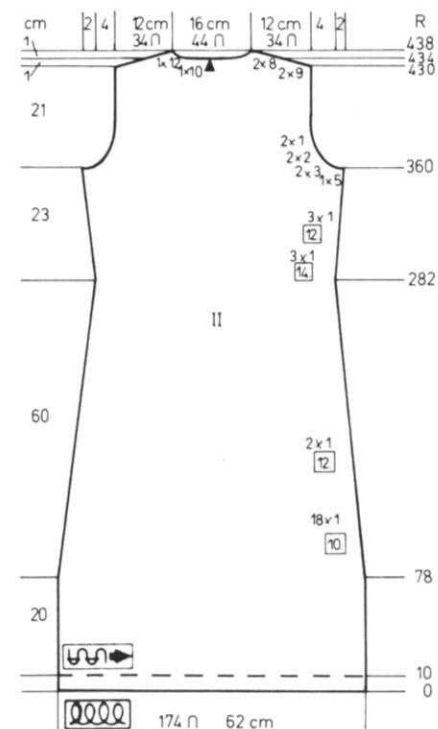
FINISHING: See General Instructions.



NECKBAND: VI

Cast on 200 sts. and work in Ribbing.
 ON EACH SIDE, decrease 1 st. every
 row 6x then increase 1 st. every row
 6x. After Row 12, bind off or remove
 onto waste yarn.

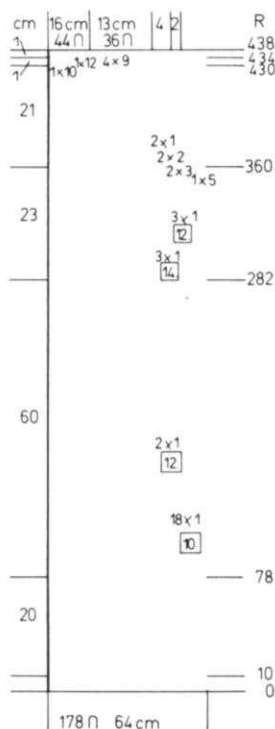
12/14



FRONT: I

Work the front the same as the back
 to Row 282.
 ON EACH SIDE, increase 1 st. every
 15th row 1x, then every 10th row 5x.
 After Row 344, SHAPE BUST DARTS.
 ON OPPOSITE SIDE OF SLIDE, put into
 holding position 6 sts. 3x, 5 sts. 1x
 ON EACH SIDE.
 Bring all the needles back into work-
 ing position OPPOSITE SLIDE before
 knitting the next 2 rows.
 After Row 352, divide in the center.
 Put half the sts. on the left into
 holding position and complete the
 right side first.
 *ON NECK SIDE, decrease 1 st. every
 4th row 22x AND AT THE SAME TIME,
 After Row 360, SHAPE ARMHOLE:
 Bind off 4 sts. 1x, 3 sts. 1x, 2 sts.
 2x, 1 st. 10x then 1 st. every 4th
 row 2x.
 INCREASE 1 st. every 4th row 2x, then
 every 2nd row 4x.
 After Row 430, SHAPE SHOULDER
 same as the back.
 Bring the needles on the left into
 working position, knit 1 row to the
 left side, turn the Row Counter back
 to 352 and complete the left half.
 Follow the instructions from *.

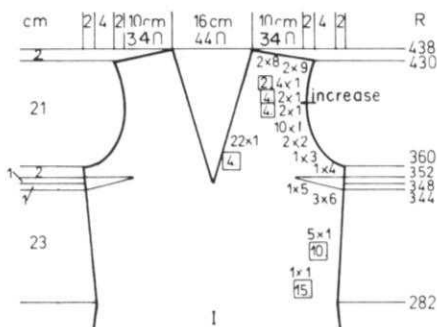
(16/18)



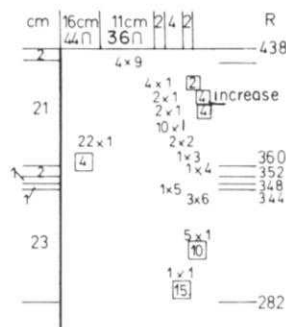
BACK: II

Cast on 174 (178) sts. and work
 Stockinette stitch.
 After Row 78, ON EACH SIDE,
 decrease 1 st. every 10th row
 18x, every 12th row 2x for both
 sizes.
 After Row 282, ON EACH SIDE,
 increase 1 st. every 14th row 3x,
 every 12th row 3x for both sizes.
 After Row 360, SHAPE ARMHOLE:
 ON EACH SIDE bind off for both
 sizes
 5 sts. 1x, 3 sts. 2x, 2 sts. 2x,
 1 st. 2x.
 After Row 430, SHAPE SHOULDER
 (WATCH FOR NECK SHAPING).
 FOR SHOULDER, bind off
 9 sts. 2x, 8 sts. 2x.
 (9 sts. 4x).
 AT THE SAME TIME, after Row 434,
 Put half the sts. on the left
 into holding position and complete
 the right side first.
 *ON NECK SIDE, bind off
 10 sts. 1x, 12 sts. 1x for both
 sizes.
 Bring the needles on the left into
 working position, knit 1 row
 to the left side, turn the
 Row Counter back to 434 and complete
 the left half. Follow the instructions
 from *and don't forget to complete
 the shoulder shaping.

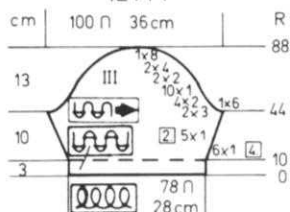
12/14



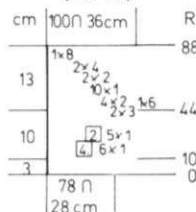
(16/18)



12/14



(16/18)



SLEEVES: III

Cast on 78 sts. and work 10 rows
 Ribbing. Continue in Stockinette
 stitch.
 ON EACH SIDE, increase 1 st. every
 4th row 6x, then every 2nd row
 5x for both sizes.
 After Row 44 SHAPE CAP. Bind off
 6 sts. on each side then follow the
 Chart for the bind-offs on each side.

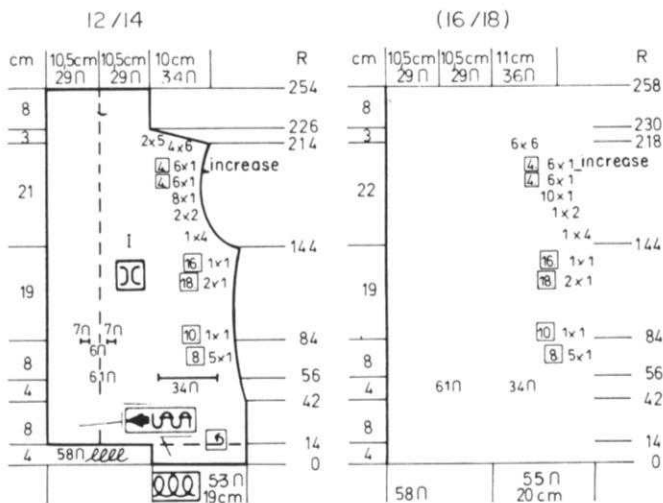
DK947

WOMAN'S 3-PIECE SUIT

SIZES: 12/14 (16/18)
YARN: Pingouin Pingoluxe
GRAMS:
 color 1 1000 1100 (Suit)
 color 2 350 400 (Blouse)
TENSION: 7 to 9
GAUGE:
 Suit: 14 sts. 17 rows = 5 cm (2")
 Blouse: 12 sts. 17 rows = 5 cm (2")

The Skirt & Jacket are in Stockinette stitch and the purl side is the right side. The Blouse is an Eyelet Design. Punch your own Card. Bands are K2, P2 Ribbing.

FINISHING: See General Instruction.
JACKET: Work 1 row single crochet across pocket opening. Sew pocket lining in place. Close sides of pocket flap. Finish Buttonhole and sew on Button. Skirt: Make hem at waist and pull elastic through casing.



JACKET LEFT FRONT: Make 1
MAKE POCKET FLAPS and LININGS FIRST.

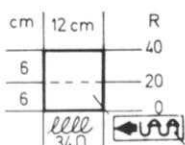
To the right of machine, cast on 53 (55) sts. and work Stockinette stitch. Knit to Row 14, then using a separate yarn, cast on 58 sts. on the left (right for 2nd section) A good way to cast on for the facing is to cast on these sts. with waste yarn and knit 12 rows (put the other sts. in holding while you do this) then after Row 14 just knit across the open sts. You can then weave them together later. Knit to Row 42.

ON SIDE EDGE, decrease 1 st. every 8th row 5x, every 10th row 1x, BUT AT THE SAME TIME, after Row 56, counting from the LEFT (right for 2nd section) leave 61 sts. in work then remove the next 34 sts. onto a stitch holder (or you can bind them off) Over the 34 empty needles, first hang the POCKET LINING with PURL side facing you and directly on top of these sts. with knit side facing you, hang one end of Pocket Flap. Remove all waste yarn, then fold the flap up and hang the other end onto the same needles. Remove waste yarn. 3 sts. on each needle. Bring these needles into holding position for the next row (make sure your Cam is set for knitting all sts.) and continue. After Row 84, ON SIDE EDGE, increase 1 st. every 18th row 2x, every 16th row 1x.

After Row 144, **SHAPE ARMHOLE:**
 Bind off
 4 sts. 1x, 2 sts. 2x (1x), 1 st. 8x (10x), 1 st. 6x.
 Increase 1 st. every 4th row 6x, every 2 rows 6x.

After Row 144, **SHAPE ARMHOLE:**
 Bind off
 4 sts. 1x, 2 sts. 2x (1x), 1 st. 8x (10x), then 1 st. every 4th row 6x.
INCREASE 1 st. every 4th row 6x.
 After Row 214 (218), **SHAPE SHOULDER** same as the back then over the remaining sts. to Row 254 (258).

Work the right front section with reverse shaping, beginning with the cast on to the left of machine. Work **BUTTONHOLES** after Row 84 over needles 20 through 26 and 33 through 39 counting from the RIGHT edge.

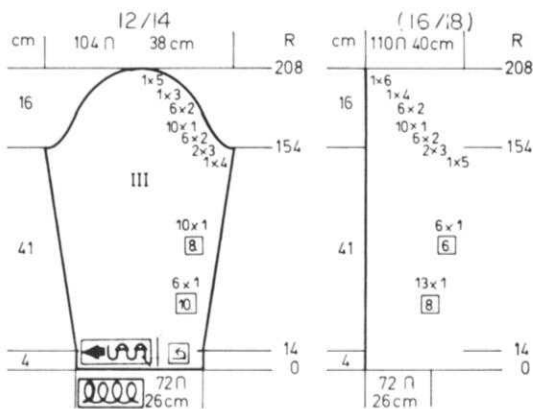


JACKET POCKET LINING: Make 2

Cast on 34 sts. (closed cast on) and work 28 rows Stockinette stitch. Remove onto contrast waste yarn.

POCKET FLAP: Make 2.

With contrast waste yarn, cast on 34 sts. and work 40 rows Stockinette stitch. Remove onto waste yarn.



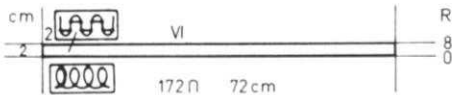
JACKET SLEEVES: III

Cast on 72 sts. and work Stockinette stitch. Knit to Row 14
ON EACH SIDE, increase 1 st. every 10th row 6x, every 8th row 10x. (every 8th row 13x, every 6th row 6x).

Knit to Row 154.
SHAPE CAP: Work the Cap Shaping ON EACH SIDE, following the bind-offs as given for your size.

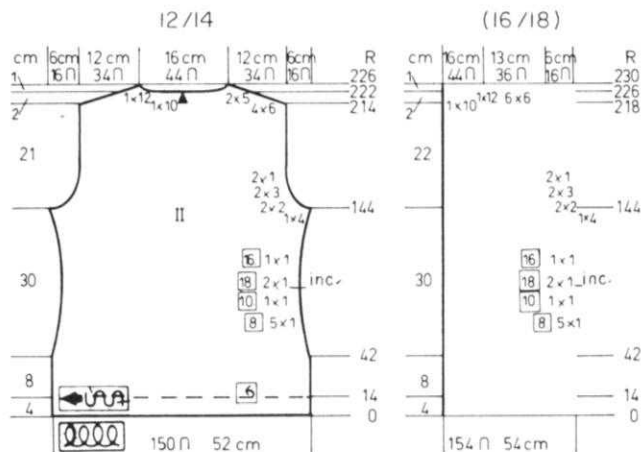
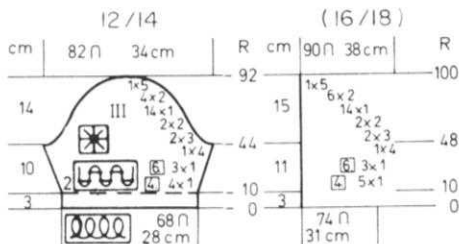
NECKBAND: VI

Cast on 172 sts. and work 8 rows Ribbing. Bind off or remove onto waste yarn.



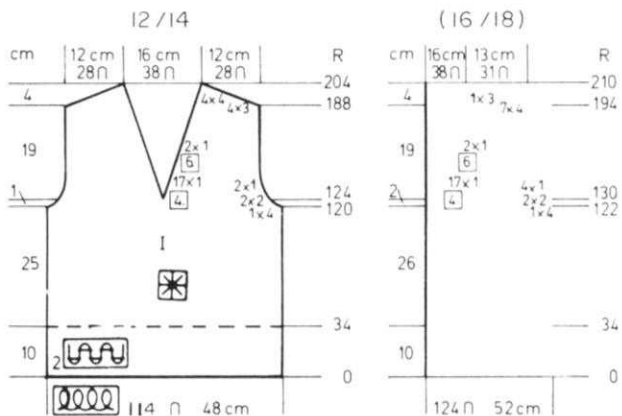
JACKET BACK: II

Cast on 150 (154) sts. and work Stockinette stitch.
 Knit to Row 42.
 ON EACH SIDE, decrease 1 st. every 8th row 5x, every 10th row 1x.
 ON EACH SIDE, INCREASE 1 st. every 18th row 2x, every 16th row 1x.
 After Row 144, SHAPE ARMHOLE: ON EACH SIDE, bind off 4 sts. 1x, 2 sts. 2x, 3 sts. 2x, 1 st. 2x.
 Knit to Row 214 (218).
 SHAPE SHOULDER AND WATCH FOR NECK SHAPING.
 FOR SHOULDER, ON EACH SIDE, bind off 6 sts. 4x, 5 sts. 2x. (6 sts. 6x).
 AT THE SAME TIME, after Row 222 (226) bind off the center 20 sts., put the needles on the left into holding position and complete the right side first.
 *ON NECK SIDE, bind off 12 sts. 1x. Bring the needles on the left into working position, knit 1 row to the left side, turn the Row Counter back to 222 (226) and complete the left half. Follow the instructions from * and don't forget to complete the shoulder shaping.



SLEEVES: III

Cast on 68 (74) sts. with color 2 and work 10 rows Ribbing. Continue in Pattern.
 ON EACH SIDE, increase 1 st. every 4th row 4x (5x), every 6th row 3x (3x).
 After Row 44 (48), SHAPE CAP: Follow the instructions on the Chart in your size for the Cap Shaping ON EACH SIDE.



BLOUSE FRONT: I

Work the front the same as the back to Row 120 (122).
 SHAPE ARMHOLE same as the back BUT AT THE SAME TIME, after Row 124 (130), divide in the center. Put the needles on the left into holding position and complete the right side first.
 *ON NECK SIDE, for both sizes, decrease 1 st. every 4th row 17x, every 6th row 2x.
 After Row 188 (194) SHAPE SHOULDER same as the back.
 Bring the needles on the left into working position, and complete the left side, turn the Row Counter back to 124 (130) and don't forget to complete the armhole shaping. Follow the instructions from *.

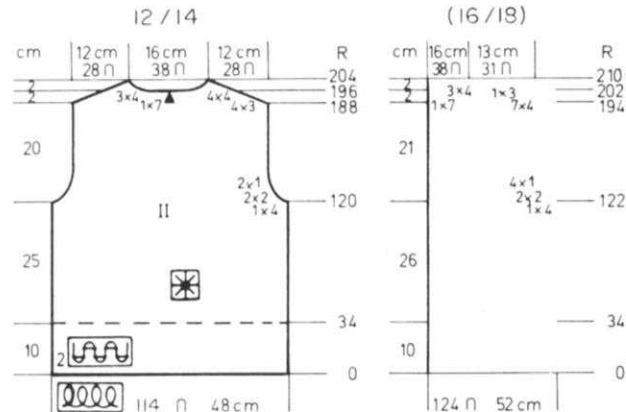
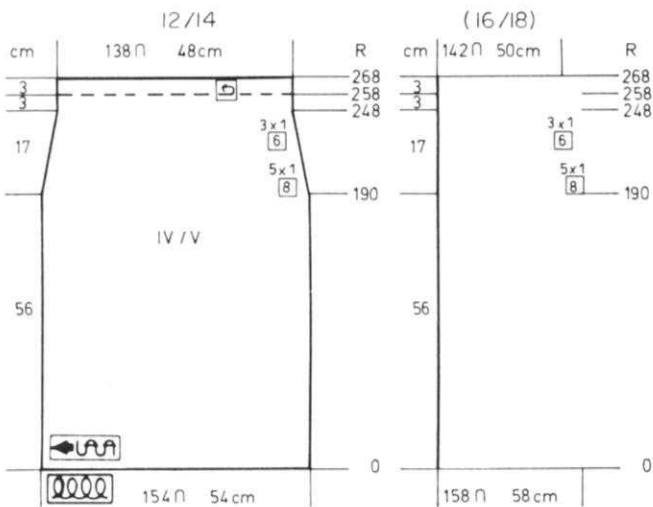
SKIRT: Make 2 sections the same.

Cast on 154 (158) sts. and work Stockinette stitch.
 Knit to Row 190.
 ON EACH SIDE, decrease 1 st. every 8th row 5x, every 6th row 3x.
 Knit even to Row 258, mark for fold then knit to Row 268. Bind off loosely.

BLOUSE BACK: II

Cast on 114 (124) sts. with color 2 and work 34 rows Ribbing. Continue in Pattern.
 ALWAYS knit 4 rows between eyelet patterns - and begin all sections with 4 rows Stockinette stitch then continue with Lace Punch Card.
 Knit to Row 120 (122).
 SHAPE ARMHOLE: ON EACH SIDE, bind off 4 sts. 3x. Bring the needles on the left into working position and complete the left side. Turn the Row Counter back to 196 and follow the instructions from * and don't forget to complete the shoulder shaping.

FOR NECK, after Row 196 (202) bind off the center 14 sts., put the needles on the left into holding position, and complete the right side first.
 *ON NECK SIDE, bind off 4 sts. 3x. Bring the needles on the left into working position and complete the left side. Turn the Row Counter back to 196 and follow the instructions from * and don't forget to complete the shoulder shaping.



HP948

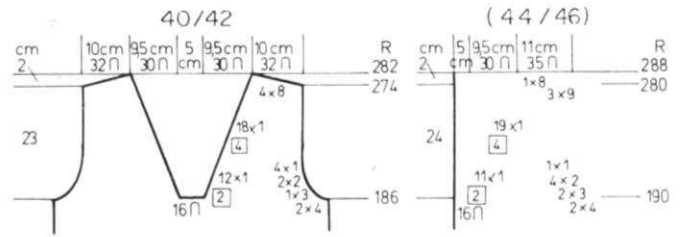
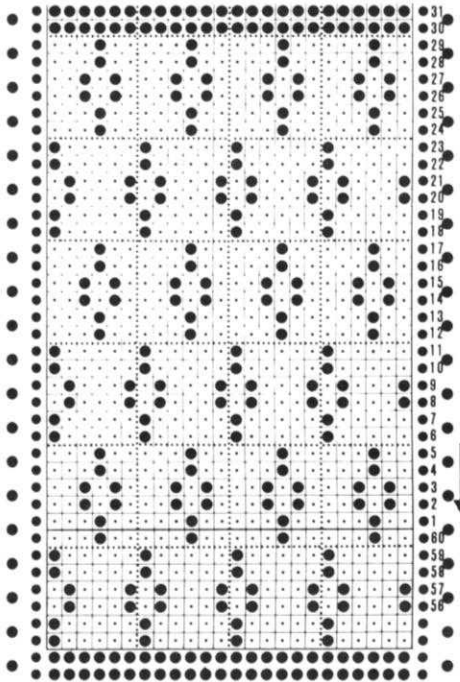
MAN'S PULLOVER

SIZES: 40/42 (44/46)
 YARN: Vienna
 GRAMS: color 1 300 350
 color 2 200 250
 TENSION: 5 to 7
 GAUGE: 16 sts, 19 rows = 5 cm (2")



A Norwegian Design. Punch your own Card. Bands and Collar are K1, P1 Ribbing.

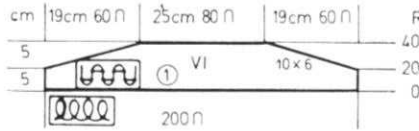
FINISHING: See General Instructions.



FRONT: I

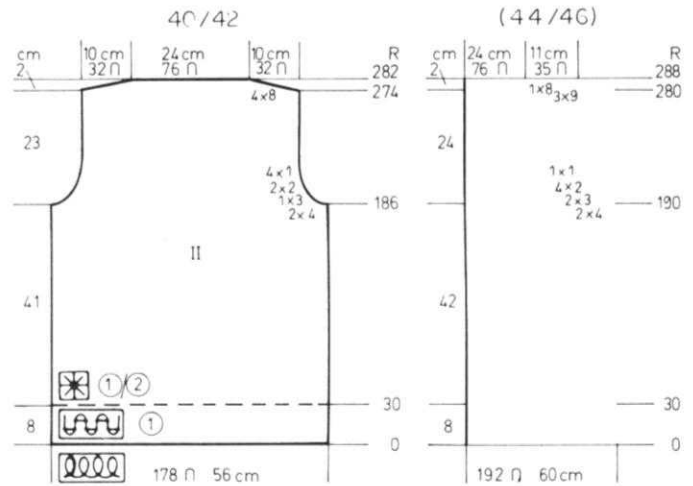
Work the front the same as the back to Row 186 (190). Bind off the center 16 sts., put the needles on the left into holding position and complete the right side first.

*SHAPE ARMHOLE same as the back and AT THE SAME TIME, ON NECK SIDE, decrease 1 st. every 2nd row 12x (11x), every 4th row 18x (19x). After Row 274 (280) SHAPE SHOULDER same as the back. Bring the needles on the left into working position, knit 1 row in Pattern to the left side, turn the Row Counter back to 186 (190) and complete the left half. Follow the instructions from *.



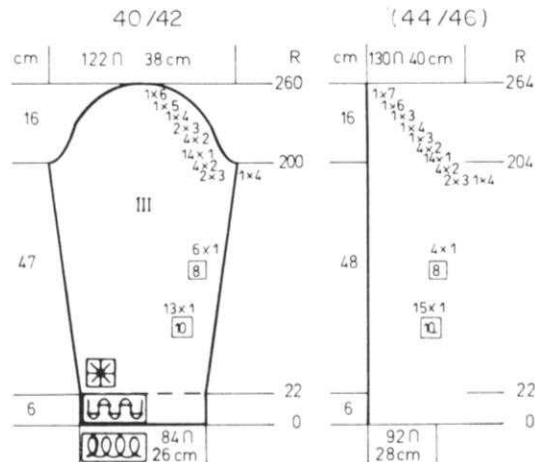
FRONT BAND & COLLAR: VI

Cast on 200 sts. color 1 and work K1, P1 Ribbing. After Row 20, ON EACH SIDE, bind off 6 sts. 10x. After Row 40, bind off the remaining sts.



BACK: II

Cast on 178 (192) sts. with color 1 and work 30 rows Ribbing. Continue in the Norwegian Design. Knit to Row 186 (190). SHAPE ARMHOLE: ON EACH SIDE, bind off 4 sts. 2x, 3 sts. 1x, 2 sts. 2x, 1 st. 4x. (4 sts. 2x, 3 sts. 2x, 2 sts. 4x, 1 st. 1x). Knit to Row 274 (280). SHAPE SHOULDER: ON EACH SIDE, bind off 8 sts. 4x. (9 sts. 3x, 8 sts. 1x). After Row 282 (288), bind off the remaining sts.



SLEEVES: III

Cast on 84 (92) sts. with color 1 and work 22 rows Ribbing. Continue in Pattern. ON EACH SIDE, increase 1 st. every 10th row 13x (15x) every 8th row 6x (4x). After Row 200 (204) SHAPE CAP: Please follow the Chart in your size for the bind-offs on each side.

HP949

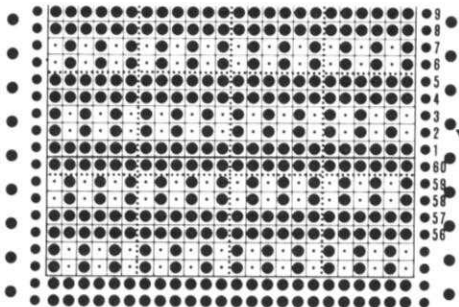


MAN'S PULLOVER

SIZES: 38/40 (42) [44]
 YARN: Vienna
 GRAMS:
 color 1 250 250 300
 color 2 200 200 250
 TENSION: 3 or 4
 GAUGE: 13 sts. 36 rows = 5 cm (2")

A Tuck Stitch Pattern. Punch your own Card and push in BOTH TUCK BUTTONS. Work 2 rows color 1, 2 rows color 2 and REPEAT. Bands are K1, P1 Ribbing.

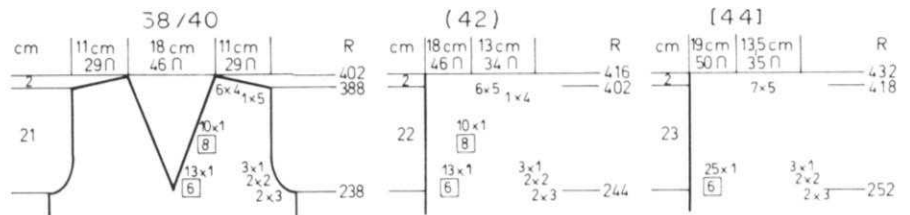
FINISHING: See General Instructions.



Continue to punch design on Card through Row 31, then punch 2 rows of holes for connecting Card.

FRONT: I

Work the front the same as the back to Row 238 (244) [252].
 Divide in the center. Put the needles on the left into holding position and complete the right side first.
 *ON NECK SIDE, decrease 1 st. every 6th row 13x (13x) [25x], every 8th row 10x (10x).
 AT THE SAME TIME, SHAPE ARMHOLE same as the back.
 After Row 388 (402) [418], SHAPE SHOULDER same as the back.
 Bring the needles on the left into working position, knit 1 row in Pattern to the left side, turn the Row Counter back to 238 (244) [252] and complete the left half. Follow the instructions from *.



BACK: II

Cast on 130 (140) [146] sts. and work 44 rows Ribbing. Continue in Pattern. Knit to Row 238 (244) [252]. SHAPE ARMHOLE: For all sizes bind off

3 sts. 2x, 2 sts. 2x, 1 st. 3x. Knit to Row 388 (402) [418]. Put half the sts. on the left into holding position and complete the right side first.

*SHAPE SHOULDER AND NECK AT THE SAME TIME.

FOR SHOULDER, bind off

5 sts. 1x, 4 sts. 6x.

(4 sts. 1x, 5 sts. 6x).

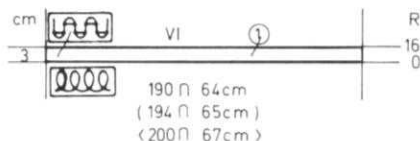
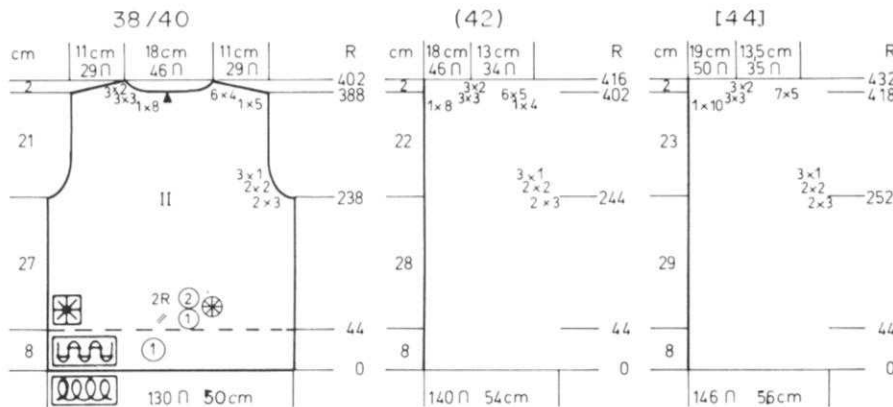
[5 sts. 7x].

FOR NECK, bind off

8 (8) [10] sts. 1x, then

3 sts. 3x, 2 sts. 3x.

Bring the needles on the left into working position, knit 1 row in Pattern to the left side, turn the Row Counter back to 388 (402) [418] and complete the left half. Follow the instructions from *.



NECKBAND: VI

Cast on 190 (194) [200] sts. with color 1 and work 16 rows Ribbing. Bind off or remove onto waste yarn.

SLEEVES: III

Cast on 64 (64) [68] sts. with color 1 and work 44 rows Ribbing. Continue in Pattern.

ON EACH SIDE, increase 1 st. every 18th row 13x.

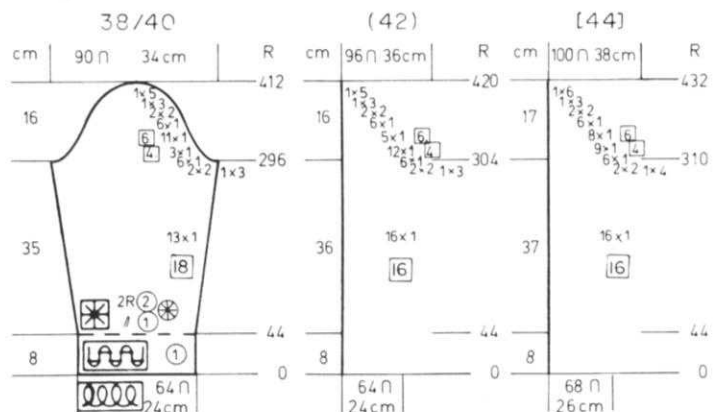
(every 16th row 16x).

[every 16th row 16x].

After Row 296 (304) [310],

SHAPE CAP:

Please follow the Chart in your size for the bind-offs ON EACH SIDE.



DK950

WOMAN'S PULLOVER

SIZES: 8/10 (12/14) [16/18]

YARN: Amore

GRAMS:	200	250	250
color 1	200	250	250
color 2	100	100	100
color 3	100	100 <td 100	
color 4	50	50	100

TENSION: 6 or 7

GAUGE: 16 sts. 18 rows = 5 cm (2")

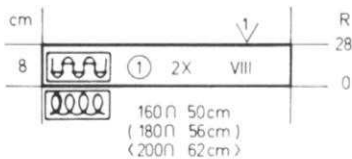
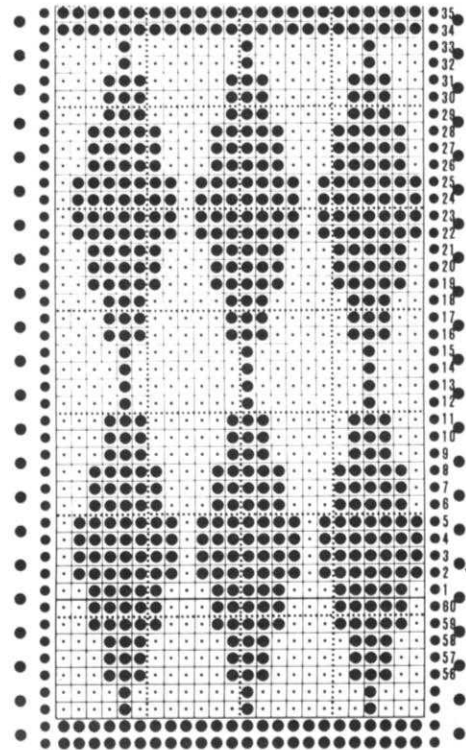
A sleeveless Pullover knitted side-ways on the machine in a Norwegian Design. Punch your own Card and follow the Chart for the Color Changes. Bands are K1, P1 Ribbing.

FINISHING: See General Instructions.



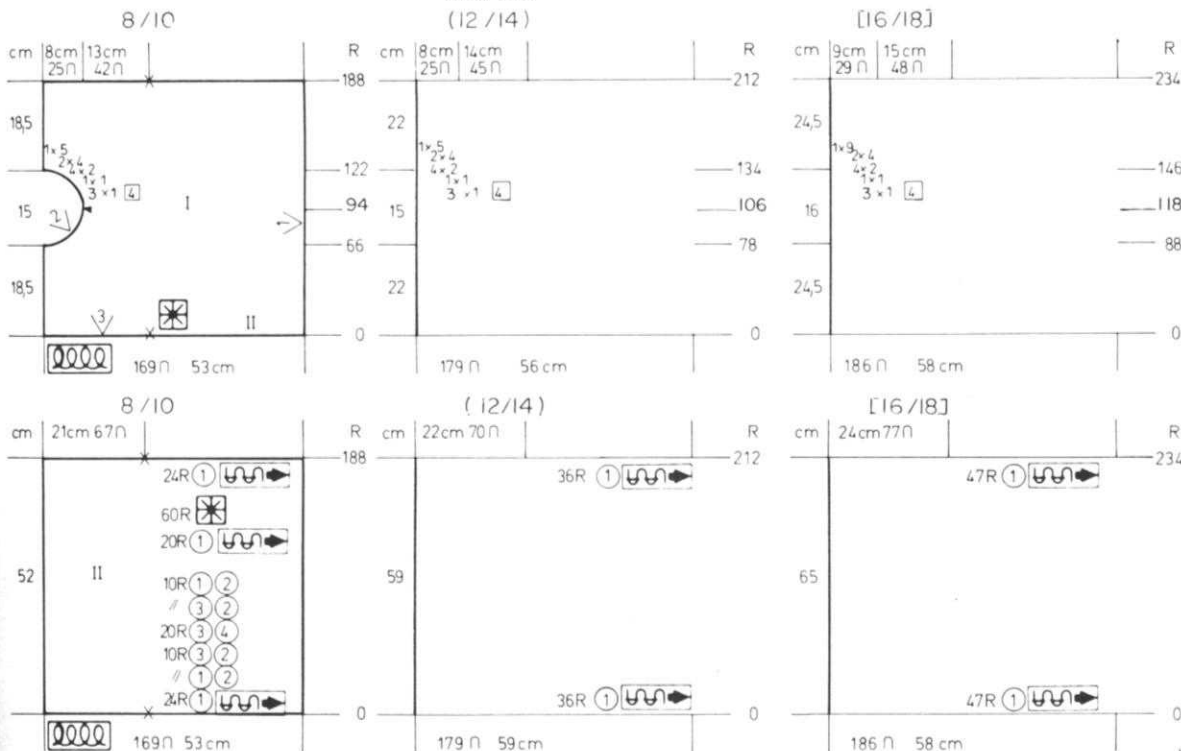
FRONT: I

Cast on 169 (179) [186] sts. with color 1 and work the Pattern same as the back, following the Color Changes for Pattern and Stockinette stitch rows as given. After Row 67 (79) [89], SHAPE NECK: Bind off 5sts. 1x, 4 sts. 2x, 2 sts. 4x, 1 st. 1x, then 1 st. every 4th row 3x. (5 sts. 1x, 4 sts. 2x, 2 sts. 4x, 1st. 1x, then 1 st. every 4th row 3x). [9 sts. 1x, 4 sts. 2x, 2 sts. 4x, 1 st. 1x, then 1 st. every 4th row 3x]. Mark Row 94 (106) [118] for center neck, then work BACKWARDS AND INCREASE FOR NECK SHAPING instead of decreasing. When neck shaping is completed, knit to Row 188 (212) [234], then bind off.



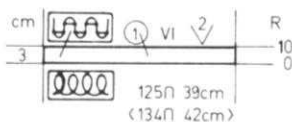
WAISTBAND: VIII Make 2.

Cast on 160 (180) [200] sts. color 1 and work 28 Rows Ribbing. Bind off or remove onto waste yarn.



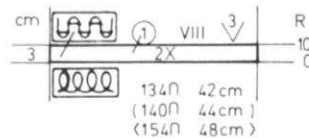
BACK: II

Cast on 169 (179) [186] sts. with color 1 and follow the Chart for the Stockinette stitch rows and color changes with the Norwegian Design. Knit in Pattern to Row 188 (212) [234]. Bind off.



NECKBAND: VI

Cast on 125 (125) [134] sts. with color 1 and work 10 rows Ribbing. Bind off or remove onto waste yarn.



ARMBANDS: VIII Make 2.

Cast on 134 (140) [154] sts. with color 1 and work 10 rows Ribbing. Bind off or remove onto waste yarn.

DK951



WOMAN'S PULLOVER

SIZES: 8/10 (12/14)

YARN: Amore

GRAMS:

color 1 200 200
color 2 200 200

TENSION: 5 or 6

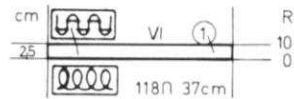
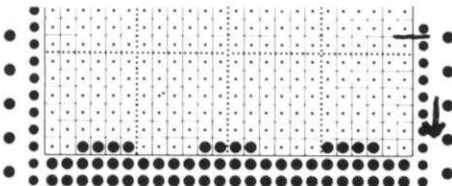
Band $\frac{1}{2}$

GAUGE: 16 sts. 18 rows = 5 cm (2")

A Norwegian Design which is isolated on the front and back sections as shown on the Chart. Bands are K2, P2 Ribbing.

FINISHING: See General Instructions.

NOTE: Punch 1 row of holes on a Punch Card and set on Stop. Follow the Line Drawings for the stripes and Motif. You must change the colors in the Feeders every 4 rows and push the specified needles as shown back to working position EVERY ROW. Begin with the 12 middle sts. Knit 4 rows with colors 1 & 2, change colors in the Feeder and move the pattern out 4 sts. on each side as shown.



NECKBAND: VI

Cast on 118 sts. with color 1 and work 10 rows Ribbing. Bind off or remove onto waste yarn.

KK952



GIRL'S DRESS

SIZES: 4 (6) (8)

YARN: Vienna

GRAMS:

color 1 150 200 200
color 2 150 150 150
color 3 50 50 50

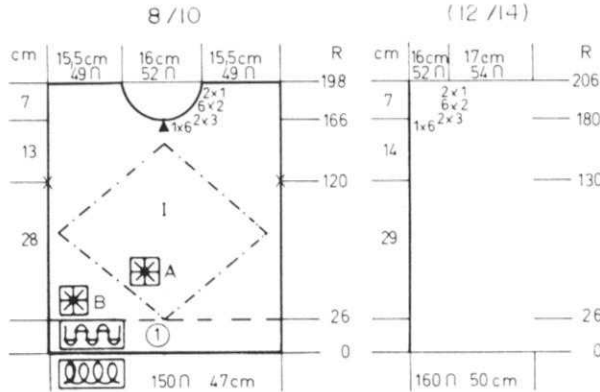
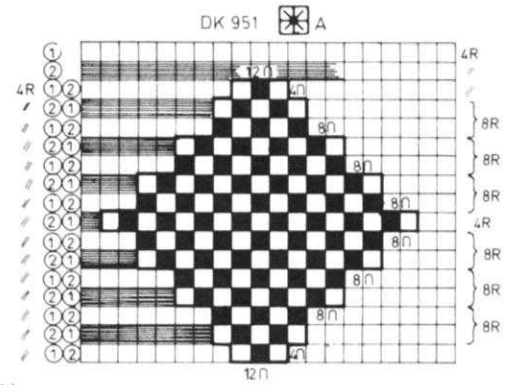
TENSION: 4 to 6

GAUGE: 18 sts. 17 rows = 5 cm (2")

A Norwegian Design. Punch 4 different cards and follow the Chart and Instructions for changes in designs and color. Collar and Sleeve bands are K1, P1 Ribbing.

FINISHING: See General Instructions.

Work 1 row single crochet down back opening and sew in 9" (10") zipper.

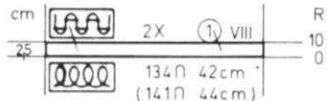


FRONT: I

Work the front the same as the back to Row 166 (180). Put half the sts. on the left into holding position and complete the right side first.
*SHAPE NECK: ON NECK SIDE, bind off 6 sts. 1x, 3 sts. 2x, 2 sts. 6x, 1 st. 2x for both sizes. After Row 198 (206), bind off the remaining sts. Bring the needles on the left into working position, knit 1 row to the left side, turn the Row Counter back to 166 (180) and complete the left half. Follow the instructions from *.

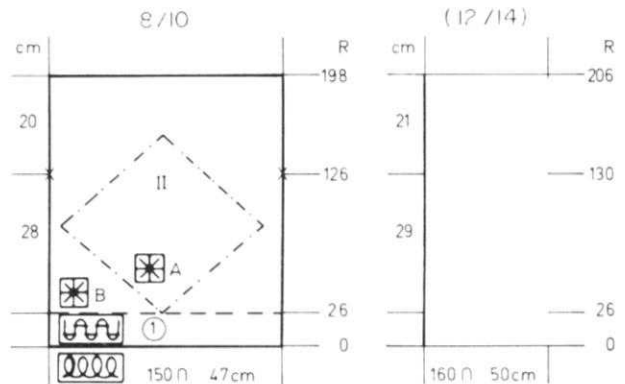
BACK: II

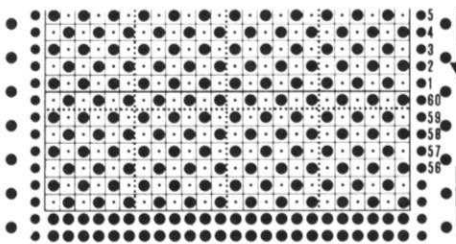
Cast on 150 (160) sts. with color 1 and work 26 rows Ribbing. Continue in the isolated Pattern. After Row 126 (130), mark each side with a bit of yarn for the armhole. Knit to Row 198 (206) Bind.off



ARMBANDS: VIII Make 2.

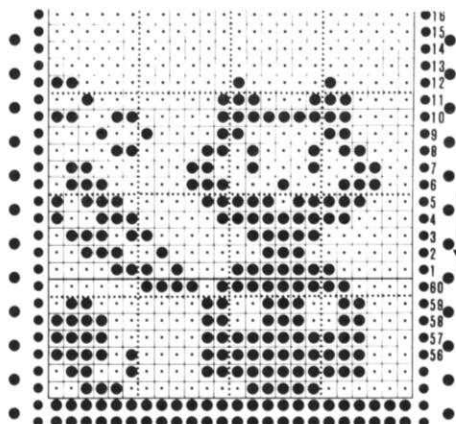
Cast on 134 (141) sts. with color 1 and work 10 rows Ribbing. Bind off or remove onto waste yarn.



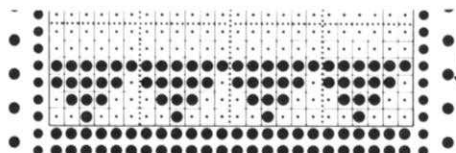


B ①/②

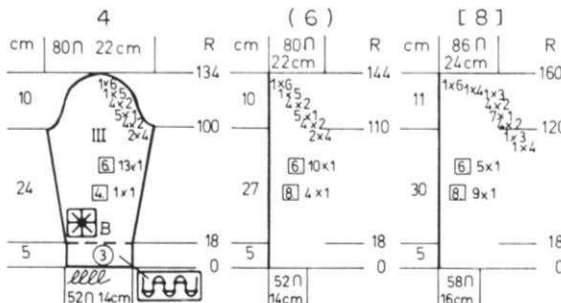
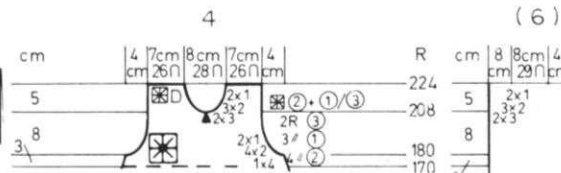
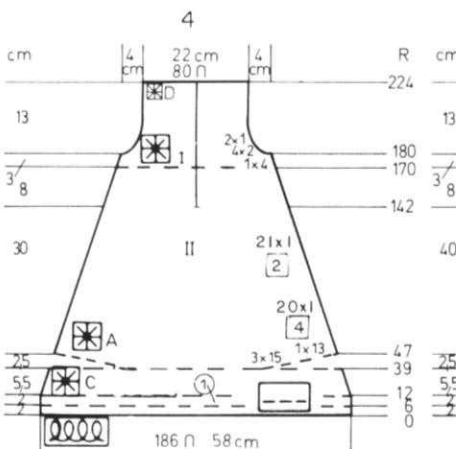
Continue to punch design on Card through Row 33 then punch 2 rows of holes for connecting Card.



C
4 rows color 2
19 rows color 2 & 1
4 rows color 2

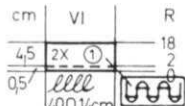


D ②/③



SLEEVES: III

Cast on 52 (52) [58] sts. with color 3 and work 18 rows Ribbing. Continue with Pattern B.
ON EACH SIDE, increase 1 st. every 4th row 1x, every 6th row 13x. (every 8th row 4x, every 6th row 10x). [every 8th row 9x, every 6th row 5x].
After Row 100 (110) [120], SHAPE CAP: Please follow the Chart in size you need for the bind-offs on each side.



COLLAR: VI Make 2.

Cast on 40 sts. with color 1 and work 18 rows Ribbing. Bind off or remove onto waste yarn.

FRONT: I

Work the front the same as the back (OMIT THE SLIT) to Row 208 (242) [286]. Divide in the center. Put the needles on the left into holding position and complete the left side first. *Change Pattern as shown on Chart.
ON NECK SIDE, bind off (or short row) 3 sts. 2x, 2 sts. 3x, 1 st. 2x for all sizes.
After Row 224 (258) [304], bind off the shoulder sts.
Bring the needles on the left into working position, knit 1 row in pattern to the left side, turn the Row Counter back to 208 (242) [286] and complete the left half. Follow the instructions from *.
When completed, bring the neck sts. into working position (or put them back onto machine if you bound them off) then work the PICOT same as you did on the back.

BACK: II

Cast on 186 (194) [200] sts. with color 1 and work 12 rows Stockinette stitch. Hang the hem then continue with Pattern C, working 4 rows color 2, 19 rows colors 2 & 1 (for Cat) then 4 rows color 2. After Row 39 Continue with Pattern A and work SHORT ROWS. ON OPPOSITE SIDE OF SLIDE, put into holding position 59 sts. before knitting the next 2 rows. ON OPPOSITE SIDE OF SLIDE, bring back into working position 15 sts. 3x, 13 sts. 1x ON EACH SIDE.
After Row 48, ON EACH SIDE decrease 1 st. every 4th row 20x, every 2nd row 21x. (every 4th row 30x, every 2nd row 11x). [every 4th row 29x, every 6th row 10x].
AT THE SAME TIME, after Row 142 (176) [218], divide in the center. Put the needles on the left into holding position and complete the right side first.
*After Row 170 (204) [246], work 4 rows color 2, 3 rows color 1, 2 rows color 3, then work Pattern C (Cat) same as you did at lower edge AND AT THE SAME TIME, after Row 180 (214) [256], SHAPE ARMHOLE: Bind off 4 sts. 1x, 2 sts. 4x, 1 st. 2x for all sizes.
After Row 208 (242) [286], work Pattern D following the chart for color sequence.
After Row 220 (254) [300], make PICOT by putting every 4th needle into holding position, knit 4 rows then bring the needles back into working position, knit 1 row and bind off loosely.
Bring the needles on the left into working position, knit 1 row in Pattern to the left side, turn the Row Counter back to 142 (176) [218] and complete the left half.
Follow the instructions from *.

KK953

KK 953

GIRL'S DRESS

SIZES: 6 (8) [10]

YARN: Vienna

GRAMS:

color 1 250 250 300

color 2 50 50 50

color 3 50 50 50

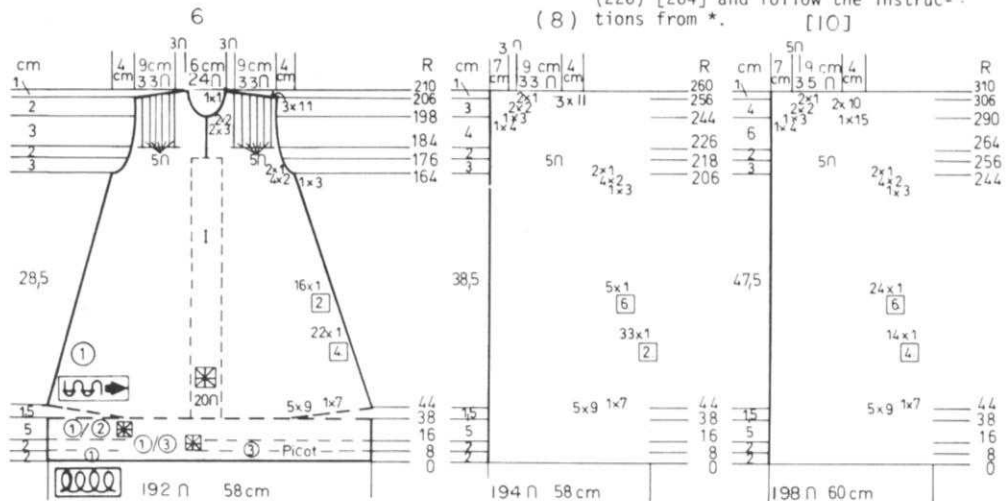
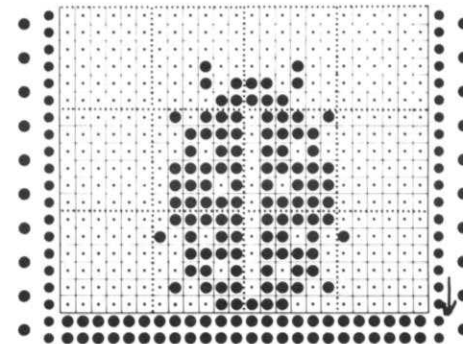
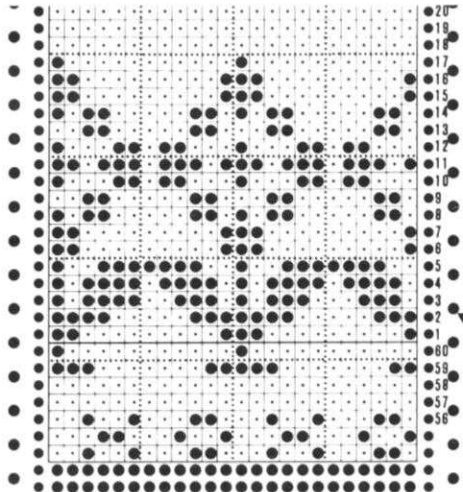
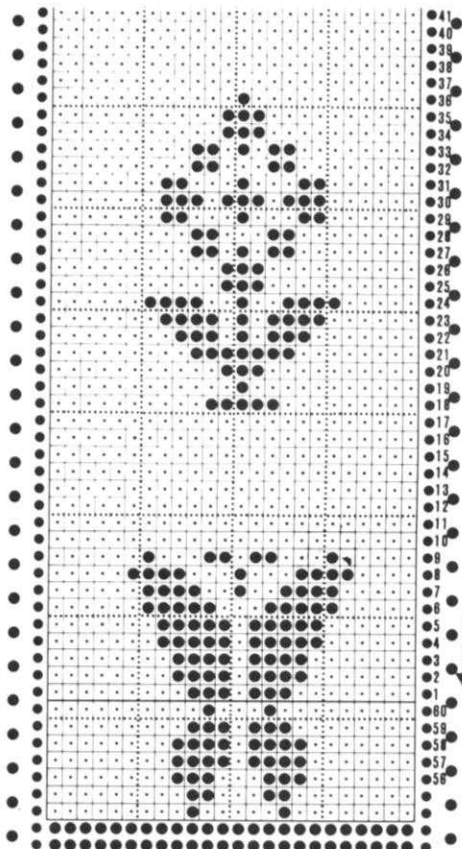
TENSION: 4 to 6

GAUGE: 16 sts. 21 rows = 5 cm (2")

Stockinette stitch with isolated Norwegian Designs down the front and back sections, on the sleeves and Collar. Punch 3 Cards and follow your Instruction Manual for isolating designs.

FINISHING: See General Instructions Push the pleats together at shoulders and sew shoulder seams. Work 1 row single crochet down front opening. Make a cord 80 cm (31 1/2") long and sew to neckline.

NOTE: DO NOT COUNT THE 4 PICOT ROWS when knitting this dress. Turn the Row Counter back 4 rows each time you make Picot rows.



FRONT: 1

Cast on 192 (194) [198] sts. with color 1 and work 8 rows Stockinette stitch. Work a PICOT ROW: Put every 4th stitch into holding position and knit 4 rows with color 3. Put the Row Counter back to 8 and work 3 rows Stockinette stitch with color 1 then 3 rows of Norwegian Design Border with colors 1 and 3 (use the 3 rows at bottom of Flower Card for border) then 2 rows Stockinette stitch with color 1.

After Row 16, hang the hem and knit 2 rows then begin the Flower Design. After Row 38, work Short Rows. ON OPPOSITE SIDE OF SLIDE, put into holding position 52 sts. before knitting the next 2 rows.

ON OPPOSITE SIDE OF SLIDE, bring back into working position 9 sts. 5x, 7 sts. 1x. AT THE SAME TIME, work the isolated Butterfly Pattern over the center 20 sts. See Picture for the change in designs and always work 2 rows stockinette stitch between each motif. AT THE SAME TIME, ON EACH SIDE, after Row 44, Decrease 1 st.

every 4th row 22x, every 2nd row 16x. (every 2nd row 33x, every 6th row 5x). [every 4th row 14x, every 6th row 24x]. After Row 164 (206) [244], SHAPE ARMHOLE: ON EACH SIDE, bind off 3 sts. 1x, 2 sts. 4x, 1 st. 2x for all sizes.

After Row 176 (218) [256], divide in the center. Put the needles on the left into holding position and complete the right side first.

*After Row 184 (226) [264], counting from the shoulder side, bring every 5th stitch to D position 6x, then transfer these sts. to neighboring needle and put the 6 empty needles out of work.

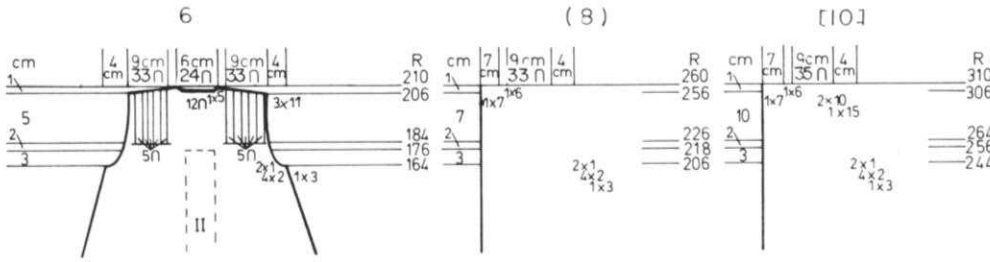
After Row 197 (243) [289], SHAPE NECK: Bind off 3 sts. 2x, 2 sts. 2x, 1 st. 2x. (4 sts. 1x, 3 sts. 1x, 2 sts. 2x, 1 st. 2x).

[Same as 2nd size].

After Row 206 (256) [306], SHAPE SHOULDER. Be sure to COUNT the empty needles. Bind off 11 sts. 3x. (11 sts. 3x).

[15 sts. 1x, 10 sts. 2x].

Bring the needles on the left into working position, knit 1 row to the left side, turn the Row Counter back to 176 (218) [256] and complete the left half. Knit to Row 184 (226) [264] and follow the instructions from *.

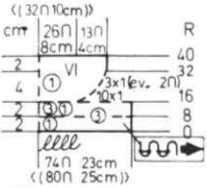


Work the back the same as the front to Row 206 (256) [306]. (Omit opening) Bind off the center 12 (14) [14] sts. put the needles on the left into holding position and complete the right side first.

*SHAPE SHOULDER AND NECK AT THE SAME TIME.

SHAPE SHOULDER same as the front and ON NECK SIDE, bind off 5 (6) [6] sts. 1x.

Bring the needles on the left into working position, knit 1 row to the left side, turn the Row Counter back to 206 (256) [306] and complete the left half. Follow the instructions from *.



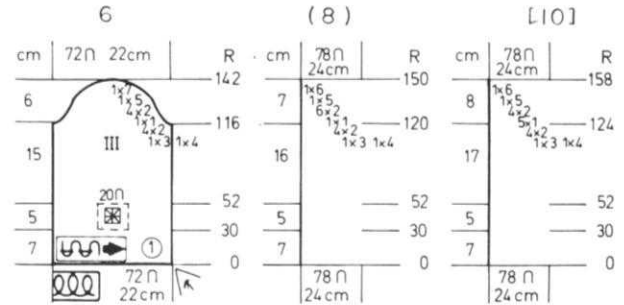
COLLAR: VI

Cast on 74 sts. with color 1 and work 8 rows Stockinette stitch tension 6. Work 4 rows for Picot (every 4th needle in holding) with color 2, 3 rows stockinette stitch with color 1 then work the 3 rows Norwegian Border, 2 rows Stockinette stitch with color 1. Hang the hem.

ON EACH SIDE, remove 24 sts. onto contrast waste yarn. Continue in Stockinette stitch over center sts. in work and ON EVERY ROW ON EACH SIDE, increase 1 st. by picking up a stitch held on waste yarn and place it onto empty needle 10x (be sure to wrap the end needle in work each time to prevent a hole). Increase 1 st. each side every 2nd row 3x in the same way then 1 st. EVERY ROW. When all the sts. are on the machine, and after Row 32, knit 1 row over all sts. then bind off.

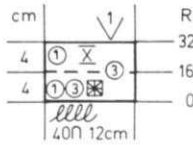
SLEEVES: III

USE OPEN CAST ON WITH WASTE YARN. Cast on 72 (78) [78] sts. After Knitting 8 to 10 rows change to Color 1 and put Counter at 0. Work Stockinette stitch to Row 30. Now work the Butterfly Motif over the 20 center sts. When Motif is completed, continue in Stockinette stitch with color 1. Knit to Row 116 (120) [124]. SHAPE CAP. Please follow the Chart in your size for the bind-offs on each side.



CUFF X

Cast on 40 sts. with color 1. Work 3 rows Stockinette stitch, 3 rows Norwegian Border (at bottom of Flower Card), 3 rows Stockinette stitch with color 1, 4 rows Picot same as dress, 10 rows Stockinette stitch with color 1. Hang the hem then hang the open sts. of the sleeve onto the 40 needles, decreasing evenly across and bind off.



DK954



WOMAN'S SKIRT, PULLOVER & VEST

SIZES: 10 (12) [14]
YARN: 2/20 or 2/24 or yarn that will give you the Stitch and Row Gauge. NO KIT AVAILABLE.

GRAMS:
color 1 700 700 700
color 2 200 200 200
color 3 200 200 200

TENSION:
Pullover 5 Band 3/5
Vest 7 Band 3/5

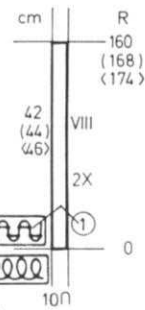
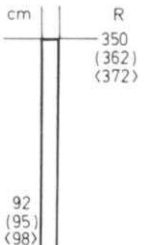
GAUGE:
Pull: 17 sts. 19 rows = 5 cm (2")
Vest: 14 sts. 32 rows = 5 cm (2")

The Skirt is Stockinette stitch using 3 strands of yarn (or whatever gives you correct gauge). The Pullover is a Norwegian Design on the main bed with K1, P1 Ribbing for the bands. Sleeves are Stockinette stitch. The Vest is made on the Main Machine and the Ribber. Punch your own Cards.

FINISHING: See General Instructions.
SKIRT: Make hem at lower edge. Fold band in half to the inside and pull elastic through casing.
VEST: Sew on bands.

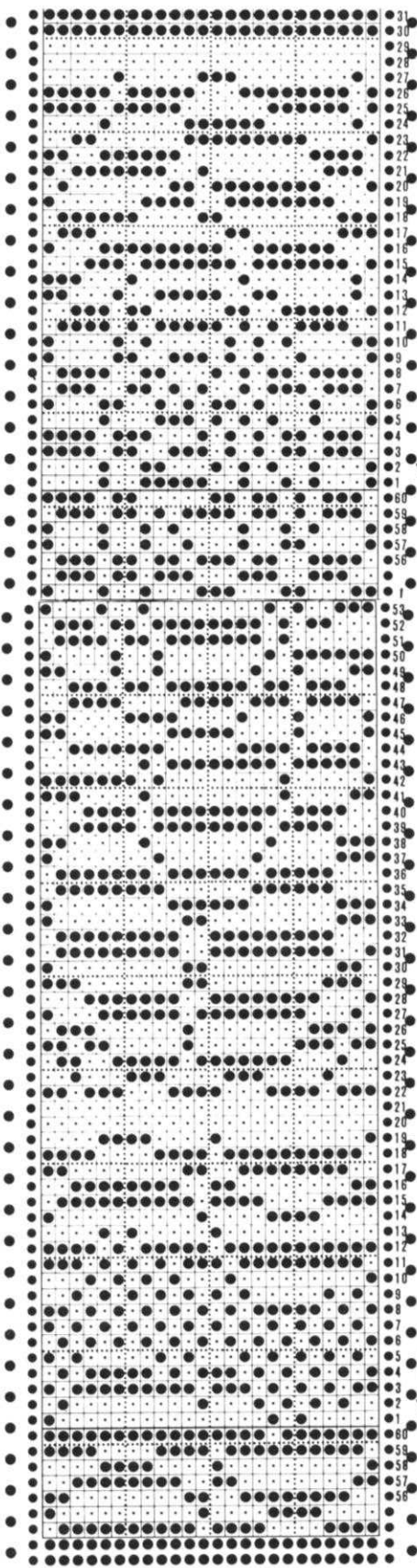
VEST FRONT BANDS: Make 2. VI

Cast on 10 sts. with color 1 and work in Ribbing. Knit to Row 350 (362) [372]. Bind off or remove onto waste yarn.

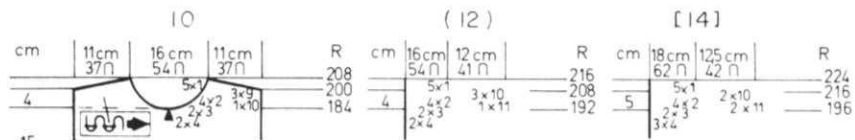


VEST ARMBANDS: VIII Make 2.

Cast on 10 sts. with color 1 and work in Ribbing. Knit to Row 160 (168) [174]. Bind off or remove onto waste yarn.

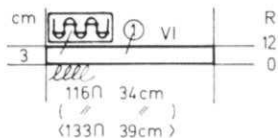


PATTERN "B" (for Ribber)



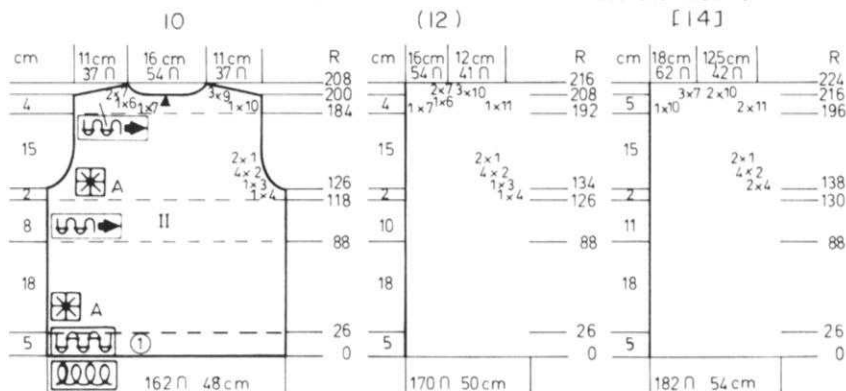
PULLOVER FRONT: I

Work the front the same as the back to Row 184 (192) [196]. Bind off the center 8 sts., put the needles on the left into holding position and complete the right side first.
 *ON NECK SIDE, bind off 4 sts. 1x more (1x more) [2x more], then bind off 3 sts. 2x, 2 sts. 4x, 1 st. 5x for all sizes.
 After Row 200 (208) [216], SHAPE SHOULDER same as the back. Bring the needles on the left into working position, knit 1 row to the left side, turn the Row Counter back to 184 (192) [196] and complete the left half. Follow the instructions from *.



PULLOVER NECKBAND: VI

Cast on 116 (116) [133] with color 1 and work 12 rows Ribbing. Bind off or remove onto waste yarn.



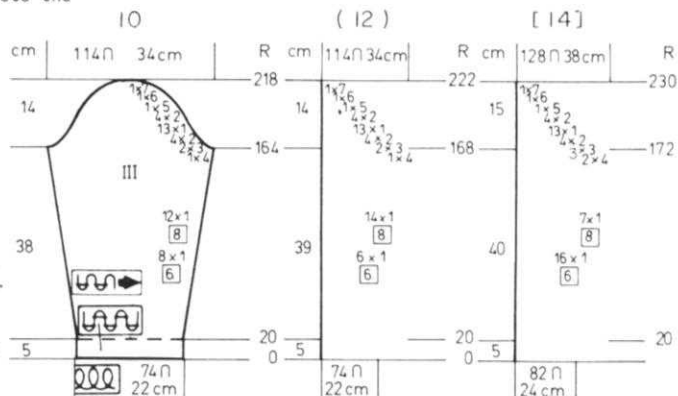
PULLOVER BACK: II

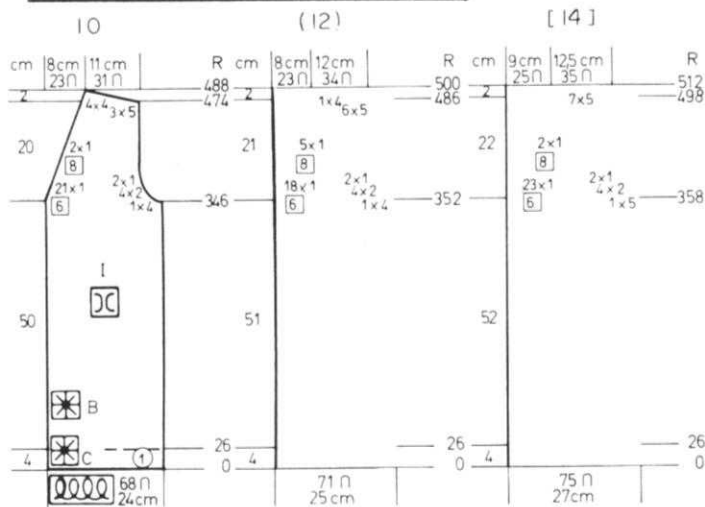
Cast on 162 (170) [182] sts. with color 1 and work 26 rows Ribbing. Continue with Pattern A to Row 88. Continue in Stockinette stitch with color 1 to Row 118 (126) [130]. Continue with Pattern A, working Card one time only but AT THE SAME TIME after Row 126 (134) [138], SHAPE ARMHOLE: ON EACH SIDE, bind off 4 sts. 1x, 3 sts. 1x, 2 sts. 4x, 1 st. 2x. (Same as first size). [4 sts. 2x, 2 sts. 4x, 1 st. 2x]. When Pattern A is completed, continue in Stockinette stitch - this should be at Row 184 (192) [196]. After Row 200 (208) [216], bind off the center 14 (14) [20] sts. put the needles on the left into holding position and complete the right side first.

*SHAPE SHOULDER AND NECK AT THE SAME TIME.
 FOR SHOULDER, bind off 10 sts. 1x, 9 sts. 3x. (11 sts. 1x, 10 sts. 3x). [11 sts. 2x, 10 sts. 2x].
 FOR NECK, bind off 6 sts. 1x, 7 sts. 2x. (Same as first size). [7 sts. 3x].
 Bring the needles on the left into working position, knit 1 row to the left side, turn the Row Counter back to 200 (208) [216] and complete the left half. Follow the instructions from *.

PULLOVER SLEEVES: III

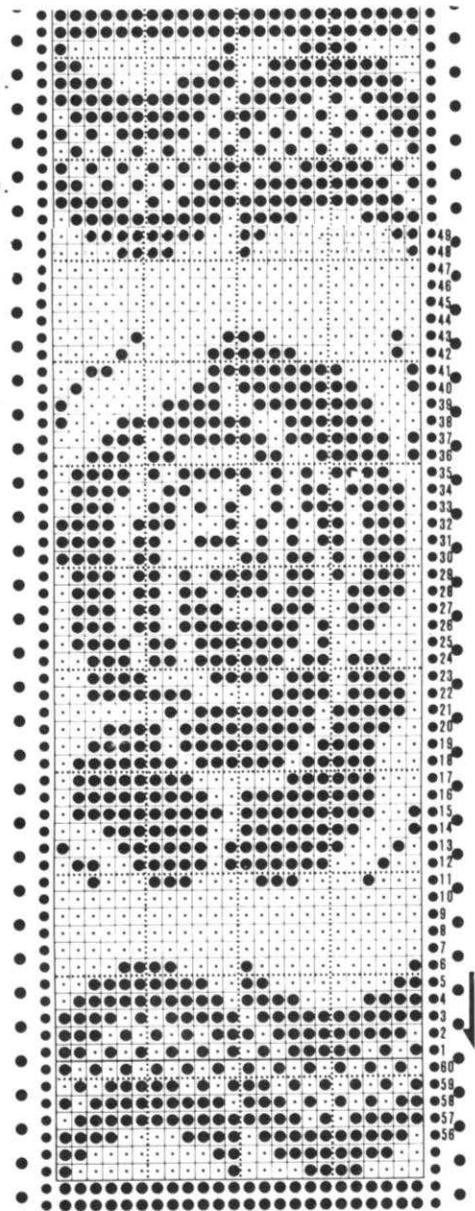
Cast on 74 (74) [82] sts. with color 1 and work 20 rows Ribbing. Continue in Stockinette stitch. ON EACH SIDE, increase 1 st. every 6th row 8x (6x) [16x] then every 8th row 12x, (14x) [7x]. After Row 164 (168) [172] SHAPE CAP: Please follow the Chart in your size for the Cap bind-offs on each side.



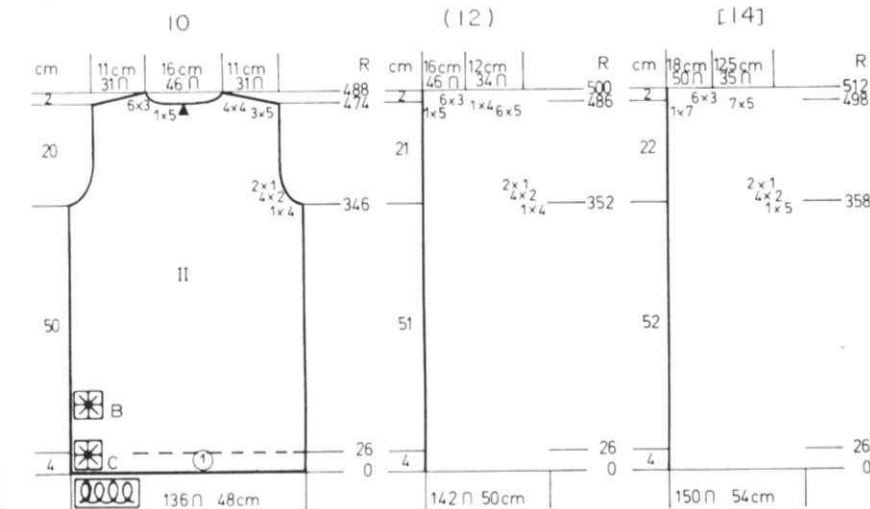


VEST FRONT: I Make 1, reverse 1.

Cast on 68 (71) [75] sts. (FULL NEEDLE RIB - using both knitter and Ribber same as back) with color 1 and work 26 rows Ribbing. Continue in Pattern B. Knit to Row 346 (352) [358]. SHAPE ARMHOLE SAME AS THE BACK AND AT THE SAME TIME, SHAPE FRONT NECK. ON NECK SIDE, decrease 1 st. every 6th row 21x (18x) [23x], every 8th row 2x (5x) [2x]. After Row 474 (486) [498], SHAPE SHOULDER same as the back.



PATTERN "A" (for Main Machine)



SKIRT: IV/V Front and Back sections the same.

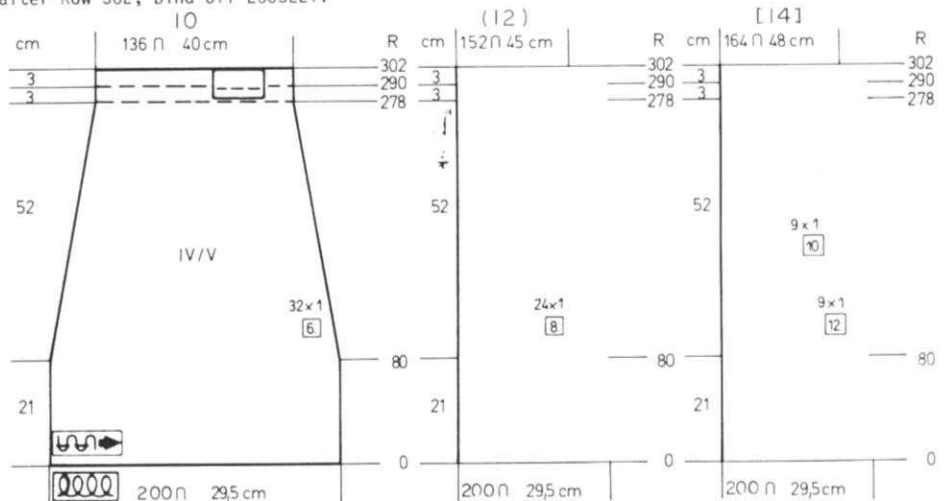
With triple strands of color 1 cast on 200 sts. for all sizes. Work Stockinette stitch. Knit to Row 80.

ON EACH SIDE, decrease 1 st. every 6th row 32x. (every 8th row 24x). [every 12th row 9x, every 10th row 9x].

Mark Rows 278 and 290 for hem then after Row 302, bind off LOOSELY.

VEST BACK: II

Cast on 136 (142) [150] sts. ON BOTH KNITTER AND RIBBER (Full needle Rib) with color 1 and work 26 rows Ribbing. CONTINUE WITH PATTERN B. Knit to Row 346 (352) [358]. SHAPE ARMHOLE: ON EACH SIDE, bind off 4 sts. 1x, 2 sts. 4x, 1 st. 2x. (Same as first size). [5 sts. 1x, 2 sts. 4x, 1 st. 2x]. Knit to Row 474 (486) [498]. Bind off the center 10 (10) [14] sts., put the needles on the left into holding position and complete the right side first. * SHAPE SHOULDER AND NECK AT THE SAME TIME. FOR SHOULDER, bind off 5 sts. 3x, 4 sts. 4x. (5 sts. 6x, 4 sts. 1x). [5 sts. 7x, 3 sts. 6x]. FOR NECK, bind off 3 sts. 6x for all sizes. Bring the needles on the left into working position, knit 1 row to the left side, turn the Row Counter back to 474 (486) [498] and complete the left half. Follow the instructions from *.



DK955

WOMAN'S PULLOVER

SIZES: 6/8 (10)
YARN: Amore

GRAMS:
color 1 150 150
color 2 50 50
Colors 3, 4, 5, plus small amounts other yarns including the Lurex is not included in KIT. Use left over yarns for all these colors.

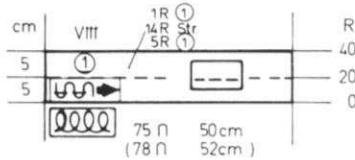
TENSION 6 to 8

GAUGE: 15 sts. 20 rows = 5cm (2")

The back of this Pullover is in stripes, the front a combination of stripes and isolated Norwegian Designs. If you own a Computer machine and want a photostat of the original drawings, please send 50¢ and a self addressed postage paid envelope. Other machine owners must work the Cat using the Intarsia method or you can leave out the designs and stripe the front the same as the back.

The Armhole and lower bands are knitted OVER EVERY OTHER NEEDLE for a Mock Rib.

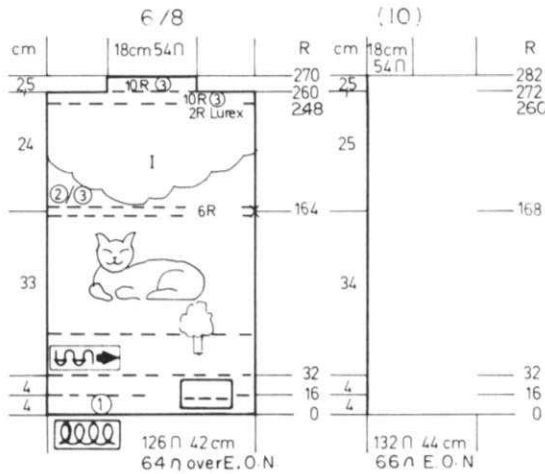
FINISHING: See General Instructions. Cut the floating strands of yarn on the back of the front section then sew in all loose ends.



ARMBANDS: VIII

Cast on 75 (78) sts. OVER EVERY OTHER NEEDLE with color 1 and work the Mock Rib.

Work 25 rows color 1 then 2 rows Yellow, 2 rows Lurex, 2 rows Light Blue, 2 rows Lurex, 2 rows Light Blue, 2 rows Lurex, 2 rows Yellow, 1 row color 1. Bring the empty needles into work then after sewing shoulders together, hang the marked armholes onto the machine and bind off.



FRONT: I

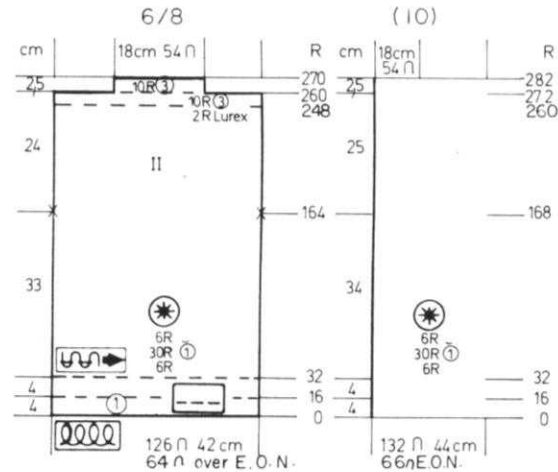
Cast on 64 (66) sts. with color 1 over every other needle same as you did for the back.

After Row 32, bring the empty needles into working position and hang the hem. Work 2 rows yellow, 6 rows color 5 then work the trunk of small tree in brown or dark red. Leave 30 sts. on the left in color 5, then the next 4 sts. for trunk of tree and the remaining in color 5. The trunk of tree is 8 rows then continue with top of tree for 22 rows. AT THE SAME TIME, after 22 rows of color 5 is completed (still working the tree), work 2 rows yellow on each side of tree then work with color 1 to complete top of tree.

When tree is completed, knit 6 rows color 1 then center the CAT and work with color 1 and Angora for the Cat which is 51 rows.

Work 4 rows color 1 above the Cat then center the tree trunk over 12 sts. Work 8 rows for the trunk and continue the trunk and at the same time on each side, work 2 rows Lurex, 2 rows Orange, 2 rows Lurex. Now work with colors 2 and 4 for the top of large tree. Mark Row 164 (168) as you did for the back for setting in Armbands.

When top of tree extends completely to each side, continue in the turquoise color to Row 248 (260) then work 2 rows Lurex, 10 rows color 3 (angora). Bind off 36 (39) sts. on each side (or remove onto waste yarn) then with color 3, knit to Row 270 (282). Bind off loosely.



BACK: II

Cast on 64 (66) sts. over every other needle with color 1 and work 32 rows for a Mock Rib. Bring all the empty needles into working position and hang the hem. 126 (132) sts.

*Work 2 rows Yellow, 2 rows Turquoise, 2 rows Yellow, then 30 row color 1. REPEAT FROM * for color sequence.

Mark Row 164 (168) ON EACH SIDE for sewing in the armbands then continue in color stripes to Row 248 (260).

Work 2 rows Lurex, 10 rows color 3. After Row 260 (270), ON EACH SIDE, remove 36 (39) sts. onto waste yarn (or you can bind them off) then work 10 rows color 3 and bind off loosely.

DK956

WOMAN'S JACKET

SIZES: 8/10 (12)

YARN: Pingouin Oued, Lurex plus small amounts of left overs.

color 1 250 300 (Oued)
color 2 100 100 (Oued)
Small amounts of other colors and Lurex - not included in Kit.

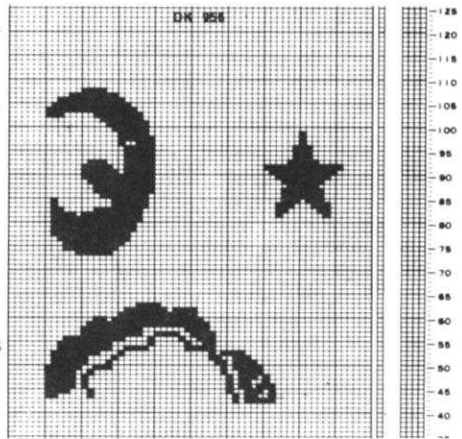
TENSION: 10

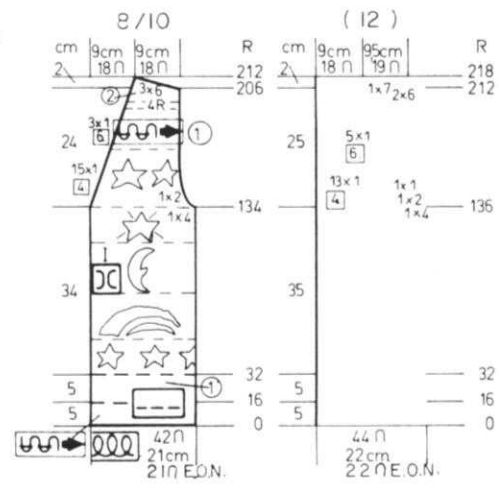
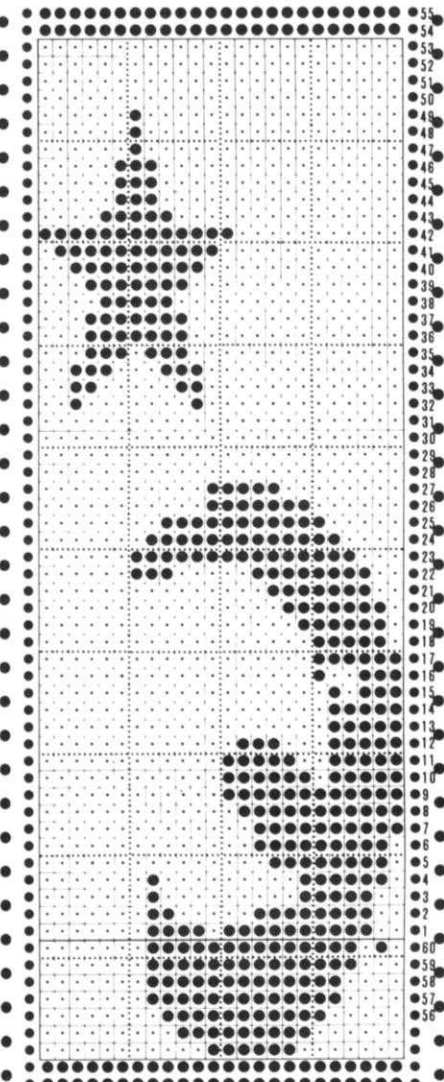
GAUGE: 10 sts. 15 rows = 5 cm (2")



Stockinette stith with Isolated Designs on the front and sleeve sections. If you own a Computer machine and want a photostat of the original drawings, send 50¢ and a self addressed postage paid envelope. Bands are Mock Rib over every other needle.

FINISHING: See General Instructions



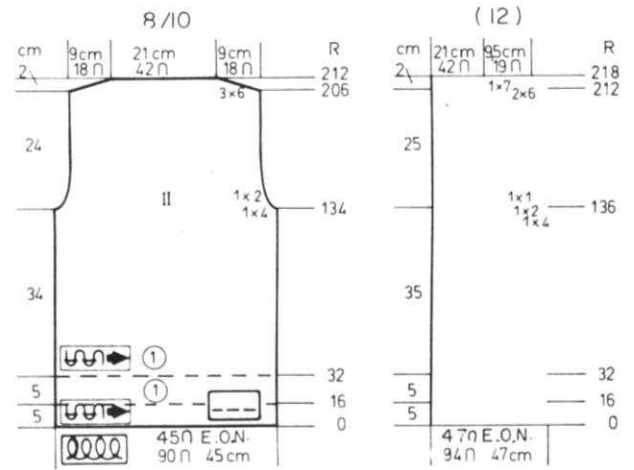


FRONT: I Make 1, reverse 1.

Cast on 21 (22) sts. over every other needle with color 1 and work the Mock Rib to Row 32. Bring all the empty needles into working position and hang the hem. (42) (44) sts. Knit 4 rows then work the Patterns as shown on the Chart. (See Picture). After Row 134 (136) SHAPE ARMHOLE same as the back and AT THE SAME TIME, ON FRONT EDGE, decrease 1 st. every 4th row 15x, every 6th row 3x. [every 4th row 13x, every 6th row 5x]. When Stars are complete continue in color 1. After Row 202 (208) work 4 rows Lurex then continue in color 2. After Row 206 (212), SHAPE SHOULDER same as the back.

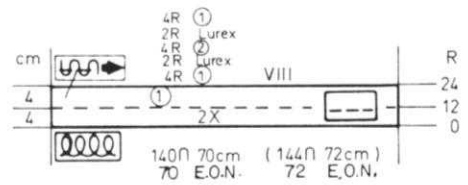
BACK: II

Cast on 45 (47) sts. over every other needle and work the Mock Rib with Color 1 to Row 32. Bring all empty needles into working position then hang the hem - (90) [94] sts. Work Stockinette stitch to Row 134 (136). SHAPE ARMHOLE: ON EACH SIDE, bind off 4 sts. 1x, 2 sts. 1x. (4 sts. 1x, 2 sts. 1x, 1 st. 1x). After Row 206 (212) SHAPE SHOULDER: ON EACH SIDE, bind off 6 sts. 3x. (6 sts. 2x, 7 sts. 1x). After Row 212 (218) bind off the remaining sts.



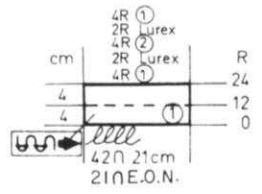
FRONT BANDS: VIII Make 2.

Cast on 70 (72) sts. with color 1 over every other needle and work the Mock Rib with color stripes as shown on the Chart. After Row 24, bring the empty needles into working position and hang the hem, then hang one front onto these same needles and bind off. (140 sts.).



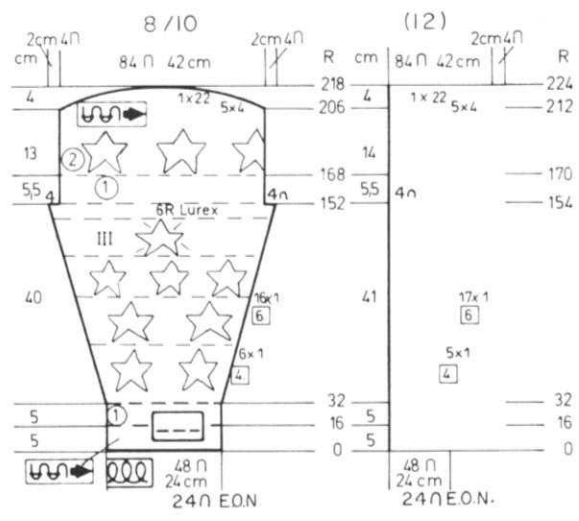
SLEEVES: III

Cast on 24 sts. with color 1 over every other needle and work 32 rows Mock Rib. Bring empty needles into working position and hang the hem. 48 sts. Work the designs and color changes and yarns as shown on the Chart AND AT THE SAME TIME, ON EACH SIDE, increase 1 st. every 4th row 6x, every 6th row 16x. (every 4th row 5x, every 6th row 17x). After Row 152 (154), ON EACH SIDE, bind off 4 sts. Knit in Pattern to Row 206 (212). ON EACH SIDE, bind off 4 sts. 5x, 22 sts. 1x. (4 sts. 5x, 22 sts. 1x).



BACK NECK BAND:

Cast on 21 sts. with color 1 over every other needle and work the Mock Rib with color stripes as shown on the Chart. After Row 24, bring the empty needles into working position (42 sts.) then hang the hem. Hang the back neck sts. onto these needles and bind off.



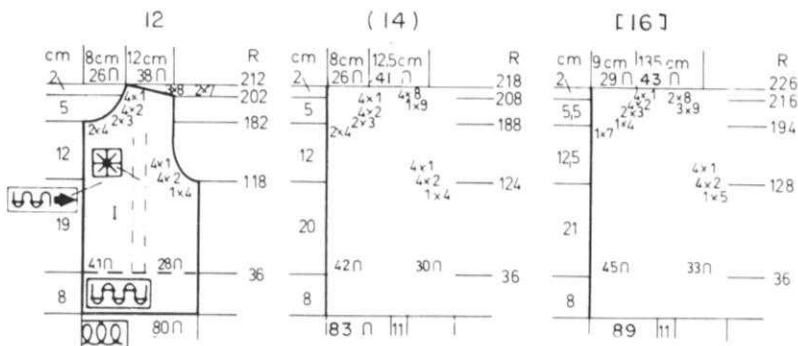
DK957

WOMAN'S CARDIGAN

SIZES: 12 (14) [16]
 YARN: Micaela
 GRAMS: 350 400 450
 TENSION: 5 or 6
 GAUGE: 16sts. 22 rows = 5 cm (2")

Stockinette stitch with isolated
 Lace Pattern down front section.
 Bands are K1, P1 Ribbing.

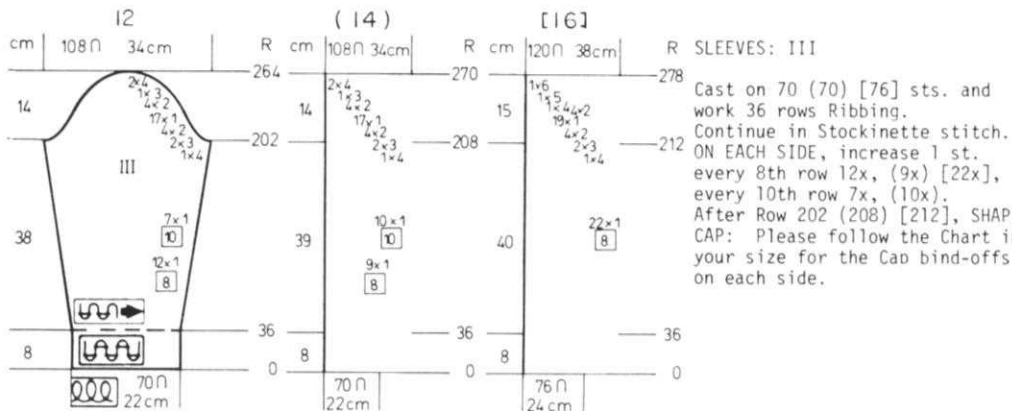
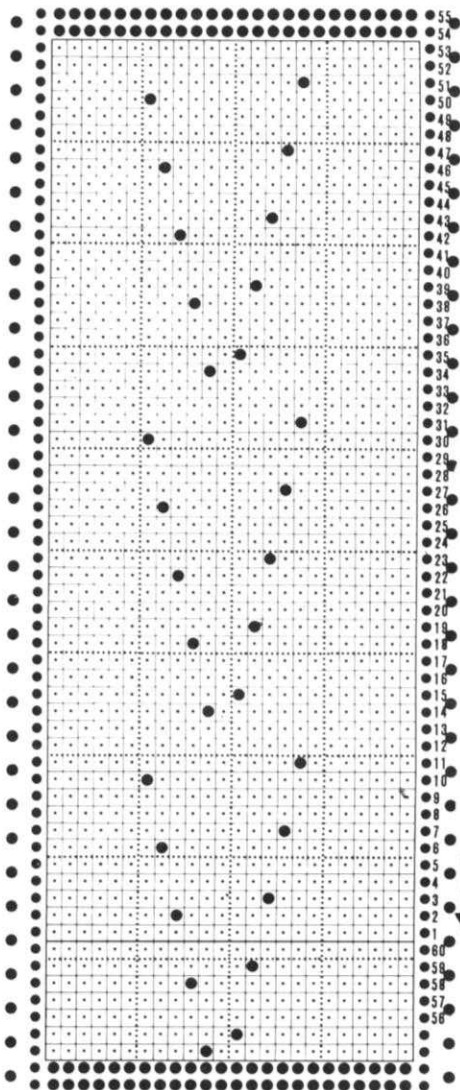
FINISHING: See General Instructions.



FRONT: I Make 1, reverse 1.

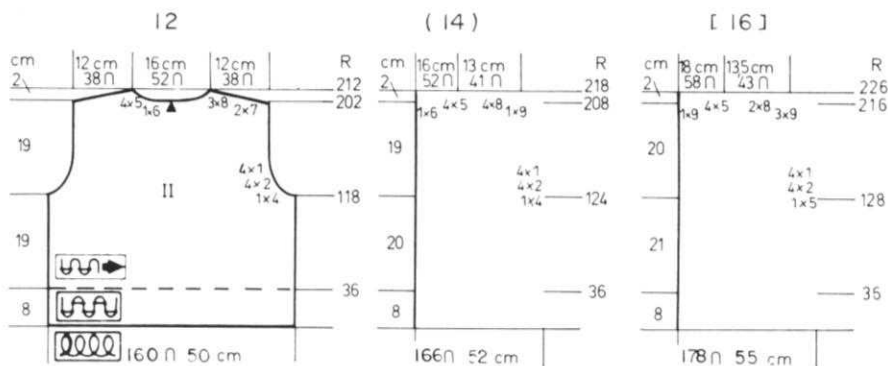
Cast on 80 (83) [89] sts. and work 36 rows Ribbing. Transfer the Ribber sts. then work the lace Pattern over the sts. as shown on the Chart (isolated) Continue the Pattern throughout. Knit to Row 118 (124) [128]. SHAPE ARMHOLE same as the back then knit to Row 181 (187) [193].

SHAPE NECK: Bind off 4 sts. 1x, 3 sts. 2x, 2 sts. 4x, 1 st. 4x. (Same as first size). [7 sts. 1x, 4 sts. 1x, 3 sts. 2x, 2 sts. 4x, 1 st. 4x]. After Row 202 (208) [216], SHAPE SHOULDER same as the back.



SLEEVES: III

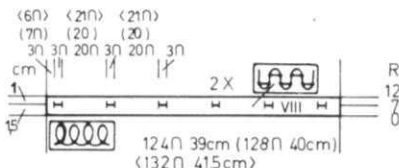
Cast on 70 (70) [76] sts. and work 36 rows Ribbing. Continue in Stockinette stitch. ON EACH SIDE, increase 1 st. every 8th row 12x, (9x) [22x], every 10th row 7x, (10x). After Row 202 (208) [212], SHAPE CAP: Please follow the Chart in your size for the Cap bind-offs on each side.



BACK: II

Cast on 160 (166) [178] sts. and work 36 rows Ribbing. Continue in Stockinette stitch. Knit to Row 118 (124) [128]. SHAPE ARMHOLE: ON EACH SIDE, bind off 4 sts. 1x, 2 sts. 4x, 1 st. 4x. (Same as first size.) [5 sts. 1x, 2 sts. 4x, 1 st. 4x]. After Row 202 (208) [216], bind off the center 12 (12) [18] sts., put the needles on the left into holding position and complete the right side first.

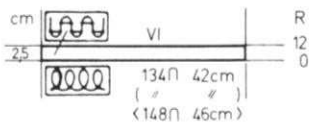
*SHAPE SHOULDER AND NECK AT THE SAME TIME. FOR SHOULDER, bind off 7 sts. 2x, 8 sts. 3x. (9 sts. 1x, 8 sts. 4x). [9 sts. 3x, 8 sts. 2x]. FOR NECK bind off 5 sts. 4x for all sizes. Bring the needles on the left into working position, knit 1 row to the left side, turn the Row Counter back to 202 (208) [216] and complete the left half. Follow the instructions from *.



FRONT BANDS: VIII Make 2 but omit buttonholes in one section.

Cast on 124 (128) [132] sts. and work in Ribbing. After Row 7, make BUTTONHOLES over the needles as shown on the Chart. After Row 12, bind off or remove onto waste yarn.

DK957



NECKBAND: VI

Cast on 134 (134) [148] sts. and work 12 rows Ribbing. Bind off or remove onto waste yarn.

DK958

WOMAN'S PULLOVER

SIZES: 10 (12)
 YARN: Amore
 GRAMS: color 1 400 450
 color 2 50 50
 TENSION: 7 to 9
 GAUGE: 13 sts. 19 rows = 5 cm (2")

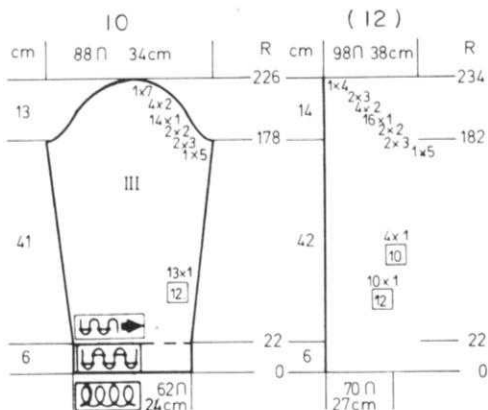


Stockinette stitch with isolated Norwegian Design on the front section only. Punch your own Card. The Bands are K1, P1 Ribbing.

FINISHING: See General Instructions.

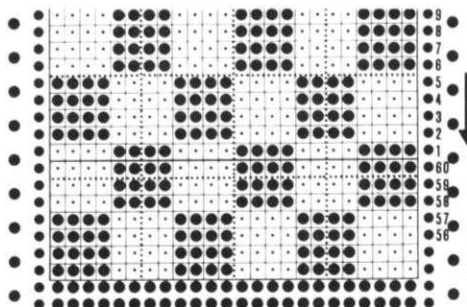
FRONT: I

Cast on 116 (120) sts. with color 1 and work 22 rows Ribbing same as the back.
 Continue in Stockinette stitch with ISOLATED NORWEGIAN DESIGN.
 BEGIN with 1 Pattern Square on the left side and EVERY 4 ROWS, MOVE the Pattern over to the RIGHT - 1 Pattern Square. When you have 20 sts. for the squares in work, the width of pattern is completed and you must keep shifting the whole pattern to the right (see Picture).
 After Row 148, SHAPE ARMHOLE same as the back.
 After Row 202 (206) bind off the center 4 sts., put the needles on the left into holding position and complete the right side first.
 *ON NECK SIDE for both sizes, bind off 2 sts. 6x, then 1 st. every 4th row 2x.
 After Row 224 (228), SHAPE SHOULDER same as the back.
 Bring the needles on the left into working position, knit 1 row to the left side, turn the Row Counter back to 202 (206) and complete the left half. Follow the instructions from *.

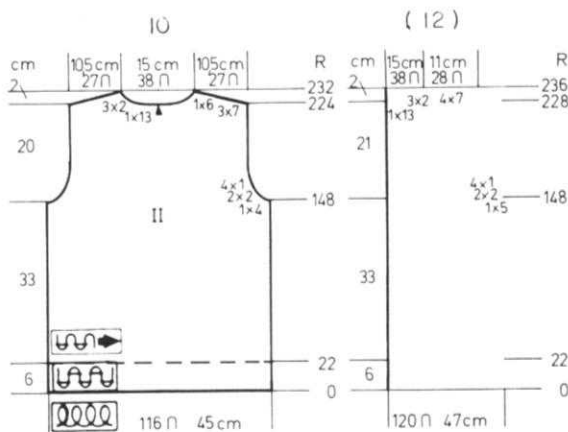


SLEEVES: III

Cast on 62 (70) sts. with color 1 and work 22 rows Ribbing. Continue in Stockinette stitch. ON EACH SIDE, increase 1 st. every 12th row 13x. (every 12th row 10x, every 10th row 4x).
 After Row 178 (182) SHAPE CAP: Please follow the Chart in your size for the Cap Bind-offs on each side.

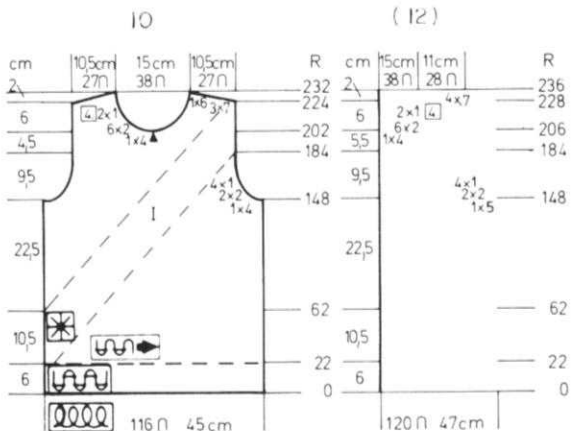


Continue to punch design on Card through Row 33 then punch 2 rows of holes for connecting Card.



BACK: II

Cast on 116 (120) sts. with color 1 and work 22 rows Ribbing. Continue in Stockinette stitch. Knit to Row 148 (148).
 SHAPE ARMHOLE: ON EACH SIDE, bind off 4 sts. 1x, 2 sts. 2x, 1 st. 4x. (5 sts. 1x, 2 sts. 2x, 1 st. 4x). Knit to Row 224 (228).
 Bind off the center 26 sts., put the needles on the left into holding position and complete the right side first.
 *SHAPE SHOULDER AND NECK AT THE SAME TIME. FOR SHOULDER, bind off 7 sts. 3x, 6 sts. 1x. (7 sts. 4x).
 FOR NECK, bind off 2 sts. 3x for both sizes. Bring the needles on the left into working position, knit 1 row to the left side, turn the Row Counter back to 224 (228) and complete the left half. Follow the instructions from *.





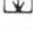
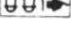

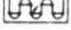







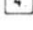





NECKBAND: VI



Cast on 98 sts. with color 1 and work 12 rows Ribbing. Bind off or remove onto waste yarn.

Pattern Symbols

Knitting – Chart Symbols

- () Size Symbols (2nd Size)
- < > 3rd Size
- ① Color Number
-  Cast on
-  Stitch
-  Row
-  Hem
-  Bind off
-  Stockinette stitch – worn on the Knit side.
-  Stockinette stitch – worn on the Purl side.
-  Knit 1, Purl 1 Ribbing
-  Ribbing Pattern – worn on the Knit side.
-  Ribbing Pattern – worn on the Purl side.
-  Closed Dart
-  Open Dart
-  Put on a stitch holder
-  Reverse 1 section
-  On every other needle
-  Number of Rows between Shapings. Make increase (or decrease) FIRST, then knit 4 rows. For example: 3 x 1  means decrease (or increase) 1 st., knit 4 rows; decrease 1 st., knit 4 rows; decrease 1 st., knit 4 rows; decrease 1 st., knit 4 rows. All decreasing (or increasing) without row numbers as shown must be shaped on every 2nd row.

-  Increase
-  Increase 2 sts. With a transfer tool, move the sts. over the left (or right) leaving 2 empty needles at the point of increase. At the increase point, move 1 st. to the left, (or right) so that there is an empty needles on each side of a stitch. On each side of the center stitch, pick up a stitch from the row below and hang it onto the empty needle.



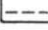

-  3 stitches on 1 needle. The 1st and 3rd stitch in a group of 3 has been hung on the 2nd or center needle.
-  Short Row increase or decrease; for instance on a flared skirt knitted sideways.

-  Pattern Stitch
-  Pattern Stitch – worn on the Knit side.
-  Pattern Stitch – worn on the Purl side.









-  Repeat

- I = Front
- II = Back
- III = Sleeve
- IV = Skirt Front
- V = Skirt Back
- VI = Collar
- VII = Pocket
- VIII = Band
- IX = Belt
- X = Cuff
- XI = Pants Front
- XII = Pants Back

Finishing – Chart Symbols

-  Match numbers on section for assembling.
-  Ease
-  Fold Line
-  Turn to the wrong side and hem.

Stitch Symbols

-  Needles in holding position
-  Needles back into working position.
-  Empty needle (leave in working position)
-  Needle not used (in the out of work position).
-  Two stitches on 1 needle, either transferred from the right side or the left side, then put into holding position.
-  Needle holding 2 stitches. Stitch has been transferred from the RIGHT.
-  Needle holding 2 stitches. Stitch has been transferred from the LEFT.
-  Center of garment section



KNITTING NEWS



PRACTICAL KNITTING HINTS

WAX CONE AND BALL YARNS

Sometimes waxing a specific yarn makes it easier for you to knit on the machine. If you are working with Cone Yarn, simply rub a piece of paraffin wax over the outside of the yarn and continue knitting until the yarn begins to drag, then rub the wax over the outside again. Continue to wax as you feel the yarn needs it.

To wax ball yarns - always hold a piece of paraffin in your hand while you are winding a new ball of yarn. Allow the yarn to run lightly over the wax as you use your winder. All new balls of yarn should be re-wound so that they will feed evenly into your machine.

DISCOUNTED YARN KITS FOR THIS ISSUE

The Yarn Kits for this issue of KNITTING MAGAZINE are available at special discounts to our subscribers and the prices are only good until the next issue of the magazine. Be sure to check the colors available listed at the end of this NEWSLETTER and make certain to give alternate colors.

DK 938 - Yarn: Amore
 SIZES: 8/0 (12) [14]
 Regular Price \$19.12 \$21.51 \$21.51
 Sale Price 15.30 17.20 17.20
 Shipping costs 1.85 1.85 1.85

DK 939 - Yarn: Vienna
 SIZES: 8/10 (12) [14/16]
 Regular Price \$27.00 \$29.70 \$29.70
 Sale Price 21.60 21.60 23.76
 Shipping costs 1.85 1.85 1.85

DK 940 - Yarn: Vienna
 SIZES: 10/12 (14) [16]
 Regular Price \$40.50 \$45.90 \$45.90
 Sale Price 32.40 36.72 36.72
 Shipping costs 1.85 1.85 1.85

DK 941 - Yarn: Pingouin Pescadou & Amore
 SIZES: 12 (14)
 Regular Price \$70.17 \$80.96
 Sale Price 56.14 64.77
 Shipping costs 1.85 2.25

HP 942 - Yarn: Pingouin Pescadou
 SIZES: 36/38 (40)
 Regular Price \$54.60 \$58.80
 Sale Price 43.68 47.04
 Shipping costs 1.85 1.85

KK 943 - Yarn: Pingouin Eau Vives
 SIZES: 6 (8)
 Regular Price \$29.20 \$32.85
 Sale Price 23.36 26.28
 Shipping costs 1.85 1.85

KK 944 - Yarn: Pingouin Eau Vives & Amore
 SIZES: 6 (8)
 Regular Price \$23.03 \$23.03
 Sale Price 18.42 18.42
 Shipping costs 1.85 1.85

DK 945 - Yarn: Pingouin Oued
 SIZES: 10/12 (14)
 Regular Price \$36.00 \$39.60
 Sale Price 28.80 31.68
 Shipping costs 1.85 1.85

DK 946 - Yarn: Pingouin Pingoluxe
 SIZES: 12/14 (16/18)
 Regular Price \$81.60 \$86.70
 Sale Price 65.28 69.36
 Shipping costs 1.85 1.85

DK 947 - Yarn: Pingouin Pingoluxe
 SIZES: 12/14 (16/18)
 Regular Price \$137.70 \$153.00
 Sale Price \$110.16 \$122.40
 Shipping costs 2.25 2.25

HP 948 - Yarn: Vienna
 SIZES: 40/42 (44/46)
 Regular Price \$27.00 \$32.40
 Sale Price 21.60 25.92
 Shipping costs 1.85 1.85

HP 949 - Yarn: Vienna
 SIZES: 38/40 (42) [44]
 Regular Price \$24.30 \$24.30 \$29.70
 Sale Price 19.44 19.44 23.76
 Shipping costs 1.85 1.85 1.85

DK 950 - Yarn: Amore
 SIZES: 8/10 (12/14) [16/18]
 Regular Price \$21.51 \$23.90 \$23.90
 Sale Price 17.21 19.12 19.12
 Shipping costs 1.85 1.85 1.85

DK 951 - Yarn: Amore
 SIZES: 8/10 (12/14)
 Regular Price \$16.73 \$16.73
 Sale Price 13.38 13.38
 Shipping costs 1.85 1.85

KK 952 - Yarn: Vienna
 SIZES: 4 (6) [8]
 Regular Price \$19.70 \$22.40 \$22.40
 Sale Price 15.76 17.92 17.92
 Shipping costs 1.85 1.85 1.85

KK 953 - Yarn: Vienna
 SIZES: 6 (8) [10]
 Regular Price \$18.90 \$18.90 \$21.60
 Sale Price 15.12 15.12 17.28
 Shipping costs 1.85 1.85 1.85

DK 954 - Yarn: - NO KIT AVAILABLE
 Use 2/20 or 2/24 yarn.

DK 955 - Yarn: Amore (Colors 3, 4, 5, not included in Kit - Use left over yarns.)
 SIZES: 6/8 (10)
 Regular Price \$ 9.56 \$ 9.56
 Sale Price 7.65 7.65
 Shipping costs 1.85 1.85

DK 956 - Yarn: Pingouin Oued
 (Lurex and left overs - not included in Kit).
 SIZES: 8/10 (12)
 Regular Price \$25.20 \$28.80
 Sale Price 20.16 23.04
 Shipping costs 1.85 1.85

DK 957 - Yarn:	Micaela		
SIZES:	12	(14)	[16]
Regular Price	\$16.03	\$18.32	\$20.61
Sale Price	12.82	14.66	16.49
Shipping costs	1.85	1.85	1.85
DK 958 - Yarn:	Amore		
SIZES:	10	(12)	
Regular Price	\$21.51	\$23.90	
Sale Price	17.21	19.12	
Shipping costs	1.85	1.85	

CHOOSE YOUR YARN KITS FROM THE FOLLOWING COLORS	
AMORE...	White, Black, Dark Green, Yellow, Pink, Turquoise, Rose, Sapphire Blue, Navy, Dark Grey, Red, Beige, Rust, Brown, Red, Blue, Plum, Light Grey, OR-Tweed, Coral, Jade, Off White, Beige Tweed, Light Coral, Light Pink, Lilac.
MICAELA...	White, Black, Orange, Light Green, Sea Green, Peach, Medium Pink
VIENNA...	White, Black, Lilac, Gold, Navy, Peach, Apricot, Red, Blue, Acqua, Dark Green, Plum, Brown, Beige, Red, Dark Turquoise.
PINGOUIN YARNS...	Choose colors similar to those shown on garment pictures of this issue of KNITKING MAGAZINE.

NEW, DEMONSTRATORS AND TRADED MACHINES AT GIVE AWAY PRICES...

Nobody can beat our prices, so if you want a second machine, place your order as fast as possible... Maybe you have a friend that cannot afford a brand new machine... If so, please tell her about our low, low prices... and if you want a machine not listed below, let us know... We have too many to list them all.

SINGLE BED

		CONDITION	LIST PRICE	SALE PRICE
KNITKING	AM3 -Cam operated with Ribber	Excellent	\$549.00	\$199.00
	COMPUKNIT KH 910 Electronic Demonstrator	Like New	899.95	699.95
	KH 840 with Lacemaker Demonstrator (New machine guarantee)	Like New	569.95	399.95
	KH 830 with Lacemaker	Very Good	499.95	299.95
	KH 120 - Fine needle Knitter with 258 needles and Lacemaker - Demonstrator	Excellent	429.95	259.00
JUMBO	CN9-N Heavy Yarn Knitter- Demonstrator	Excellent	\$299.95	\$195.00
	CN9 Heavy Yarn Knitter-	Like New	259.95	95.00
BROTHER	KH 110 - 258 Fine Needle Knitter	Excellent	\$399.00	\$175.00
STUDIO	Electronic - Model 500	Like New	\$915.95	\$399.00
	321 Punch Card Machine with Ribber	Good	599.95	195.00
TOYOTA	KS 787 with Lacemaker	Like New	\$499.95	\$295.00
	747 with Lacemaker and Ribber	Very Good	599.00	195.00
	747 with Lacemaker	Very Good	399.95	95.00
GENIE	710 with Lacemaker - Demonstrator	Excellent	\$289.50	\$189.50
	1800 with Pattern Master	Excellent	179.50	125.00
JUKI	1300 Punch Card machine with Lacemaker and Ribber	Very Good	\$529.00	\$199.00
	1200 Punch Card machine with Lacemaker	Very Good	349.00	95.00

DOUBLE BED

DUOMATIC (Serial # 664187)- Double Bed with Table	Excellent	\$799.00	\$299.00
---	-----------	----------	----------

DEMONSTRATOR BABY LOCK MACHINES

605 - Cut, Sew, Overlock - Demonstrator	Excellent	\$429.00	\$249.00
606 - BABY BLINDSTITCH - Demonstrator	Excellent	599.00	325.00
JUKI - Model MO-104 Cut, Sew, Overlock	Like New	449.00	195.00



KNITKING BINDERS — Holds One Complete Year's Copies

Keep all your KnitKing Magazines together and build a beautiful library of patterns

\$5.95 ea. Available from KNITKING: 1128 Crenshaw Blvd.
Los Angeles, Calif. 90019

I enclose \$__ for __ Binders (Calif. residents
add Sales Tax) plus \$1.25 Shipping costs.(Canada \$2.75)

Name

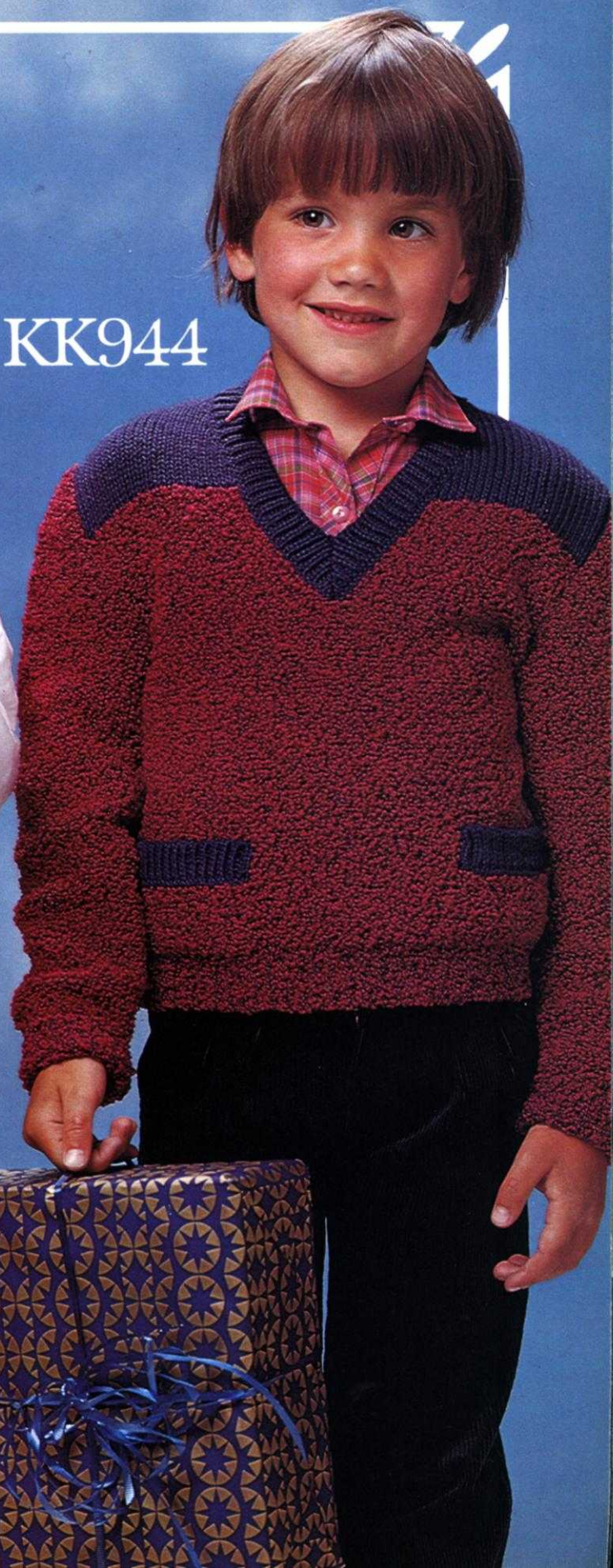
Address

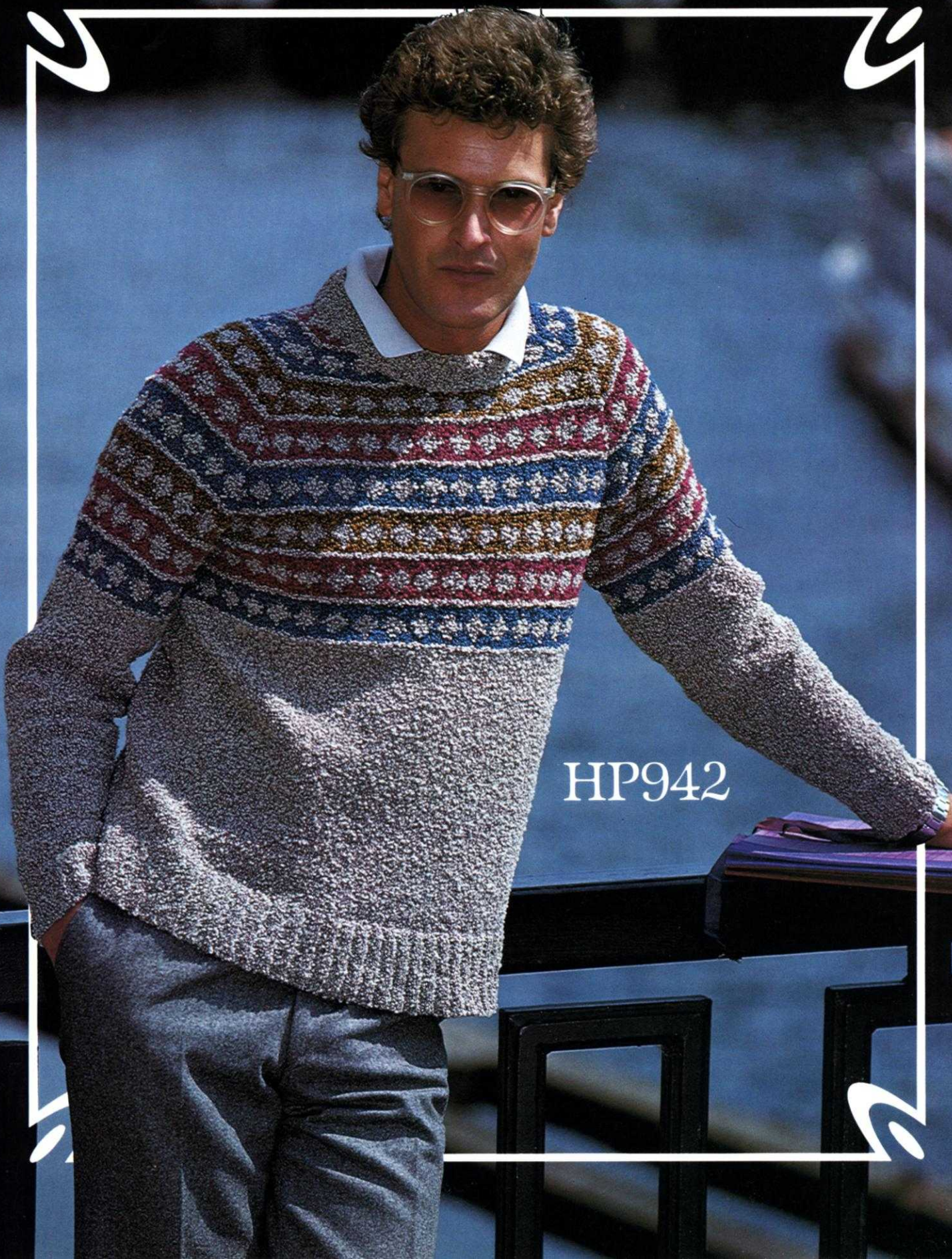
ZIP



KK943

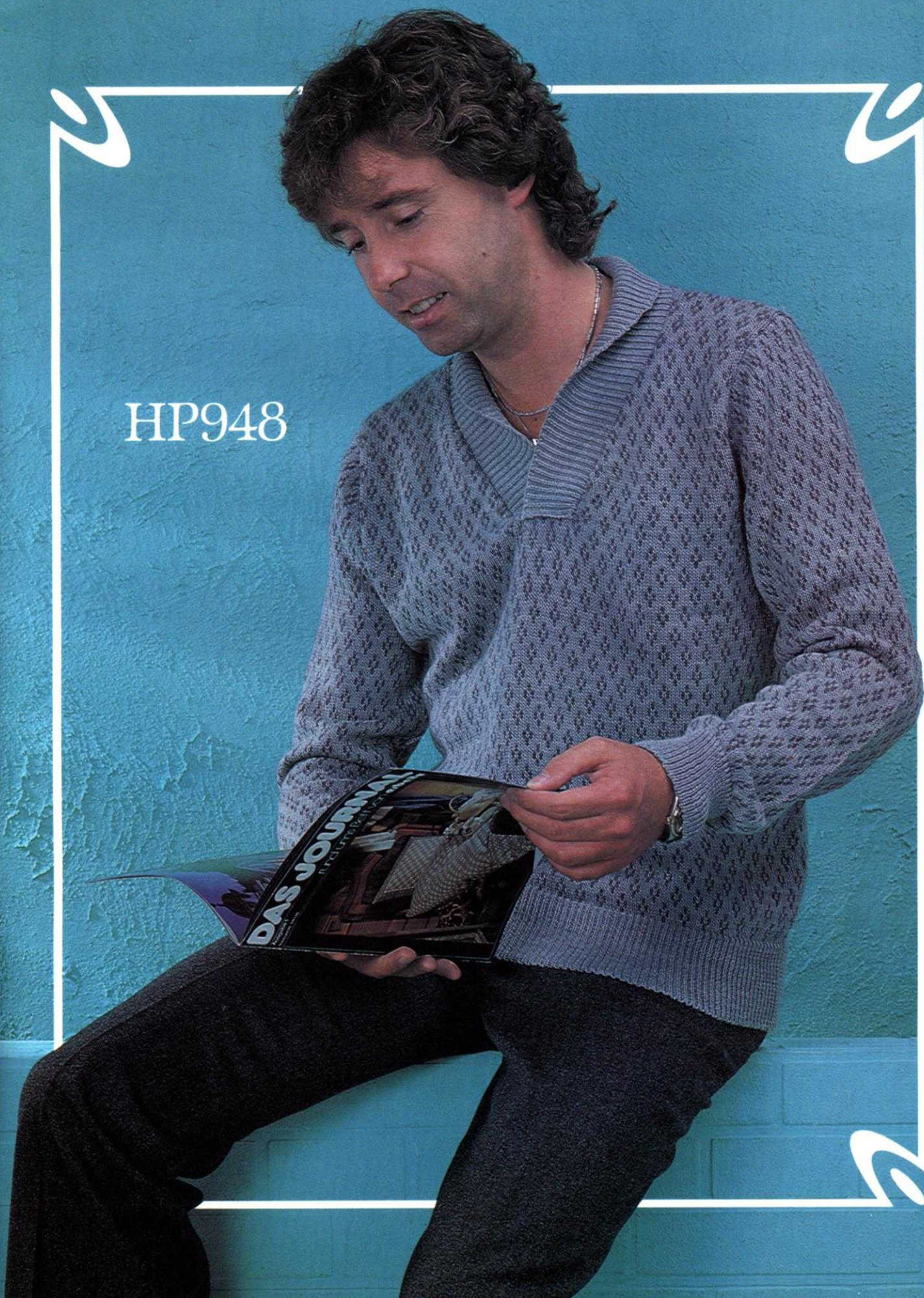
KK944





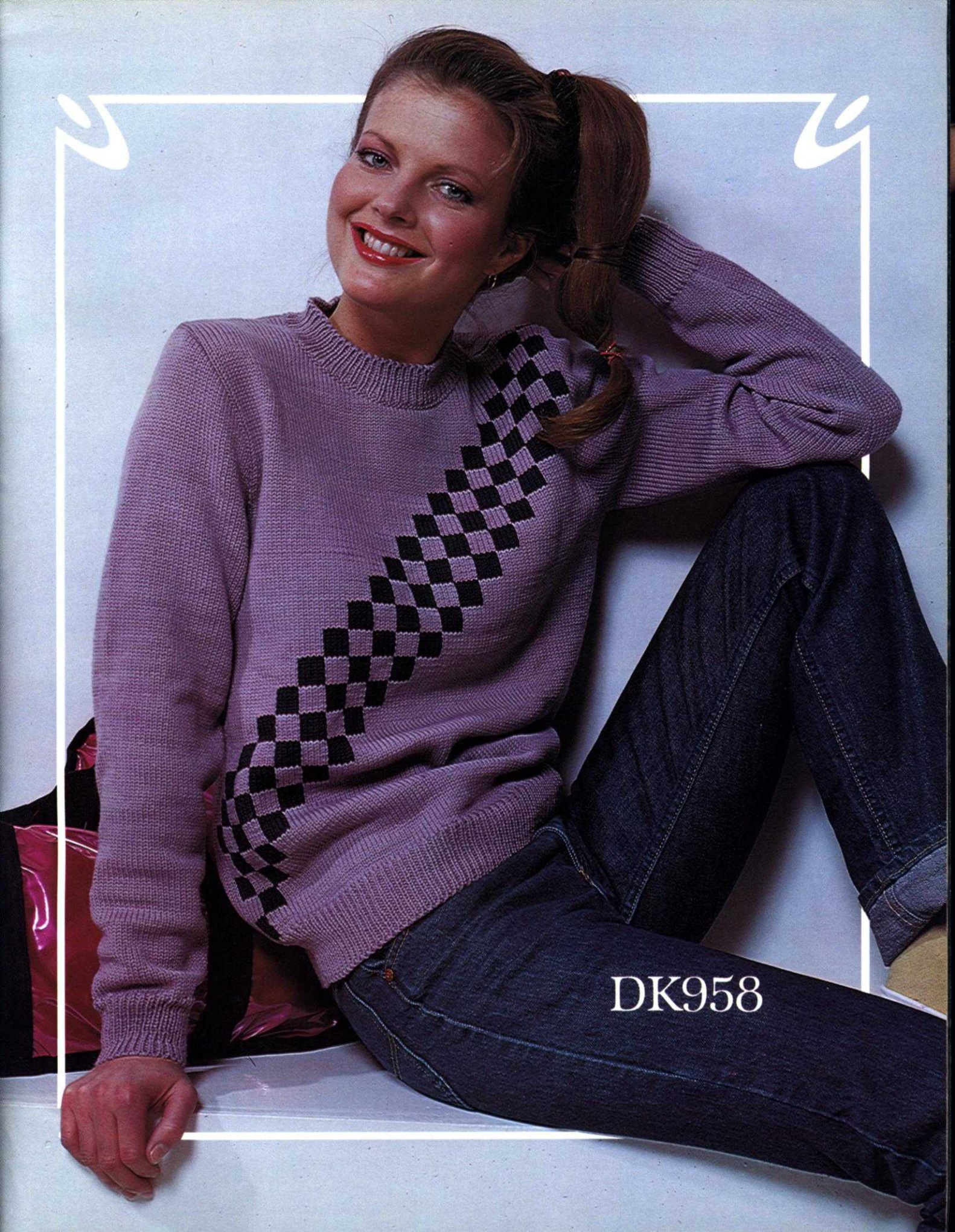
HP942

HP948





DK939



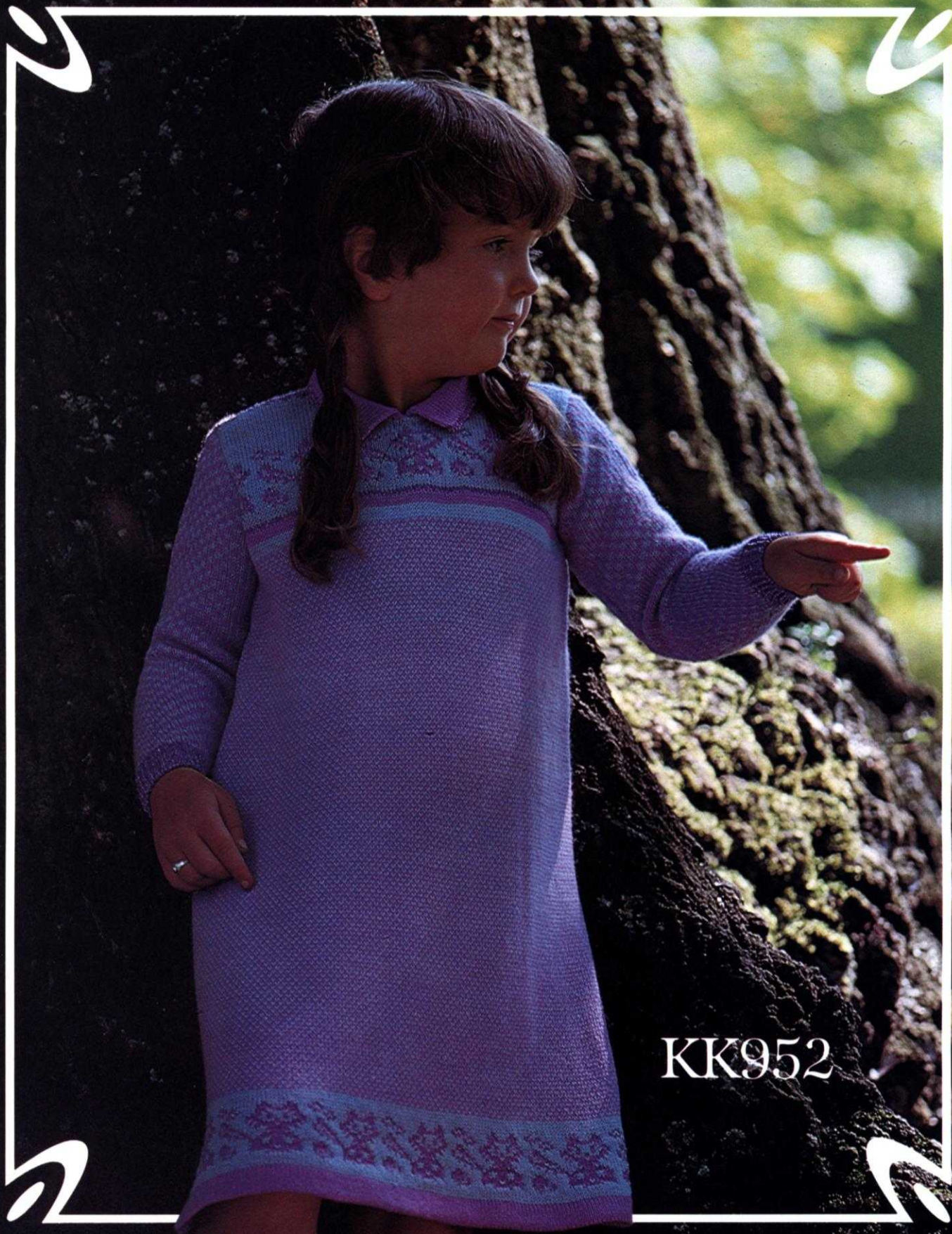
DK958



HP949

DK938





KK952



KK953



DK946