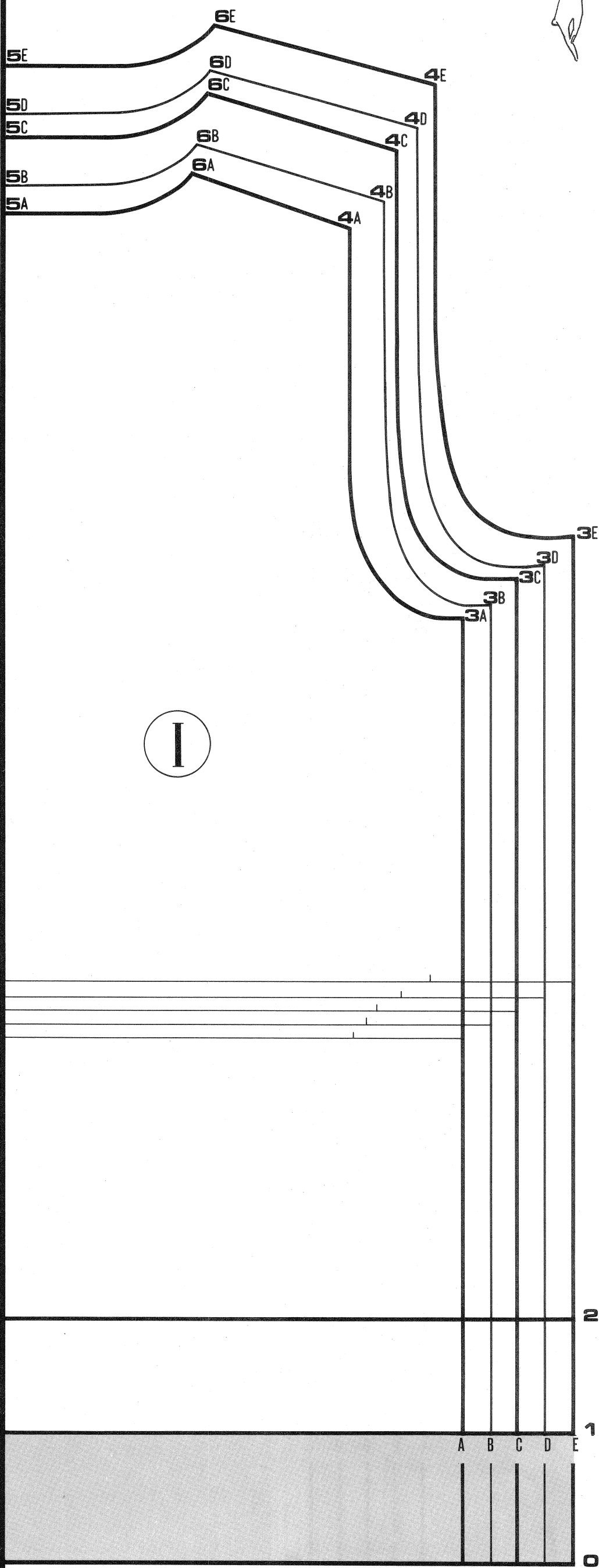
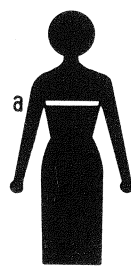
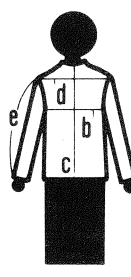
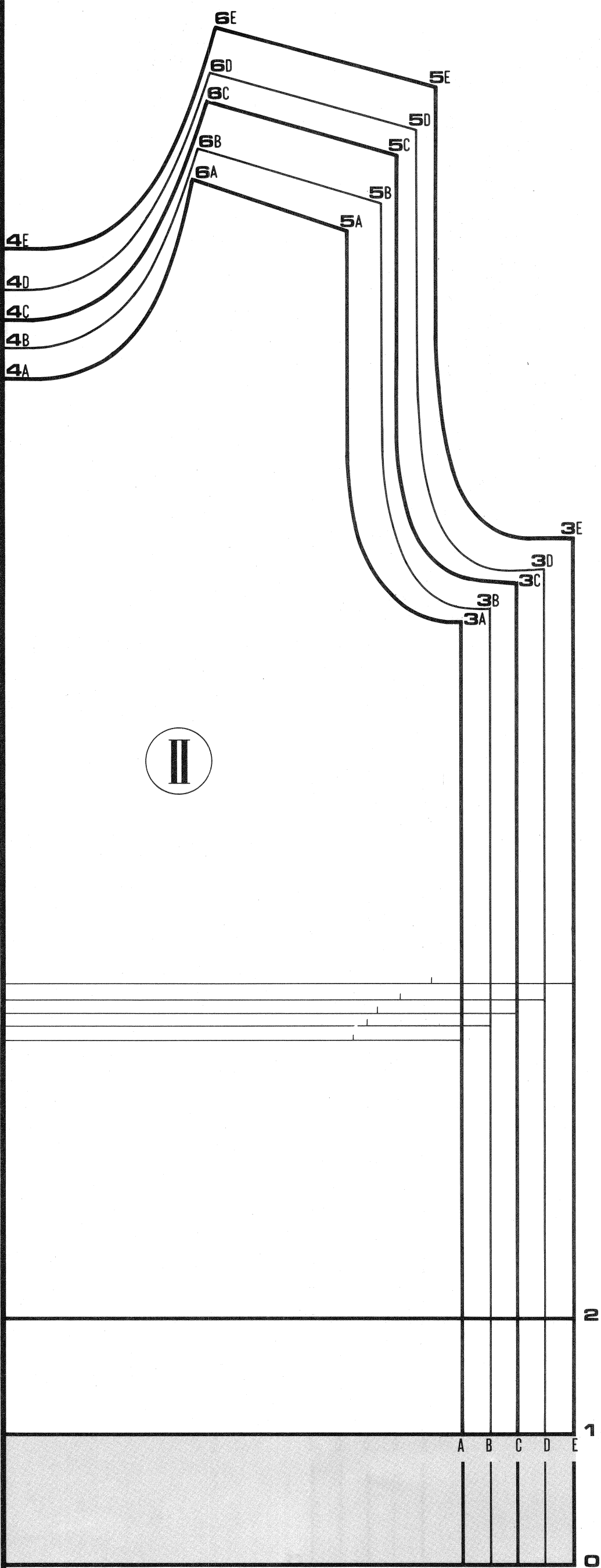


A-1

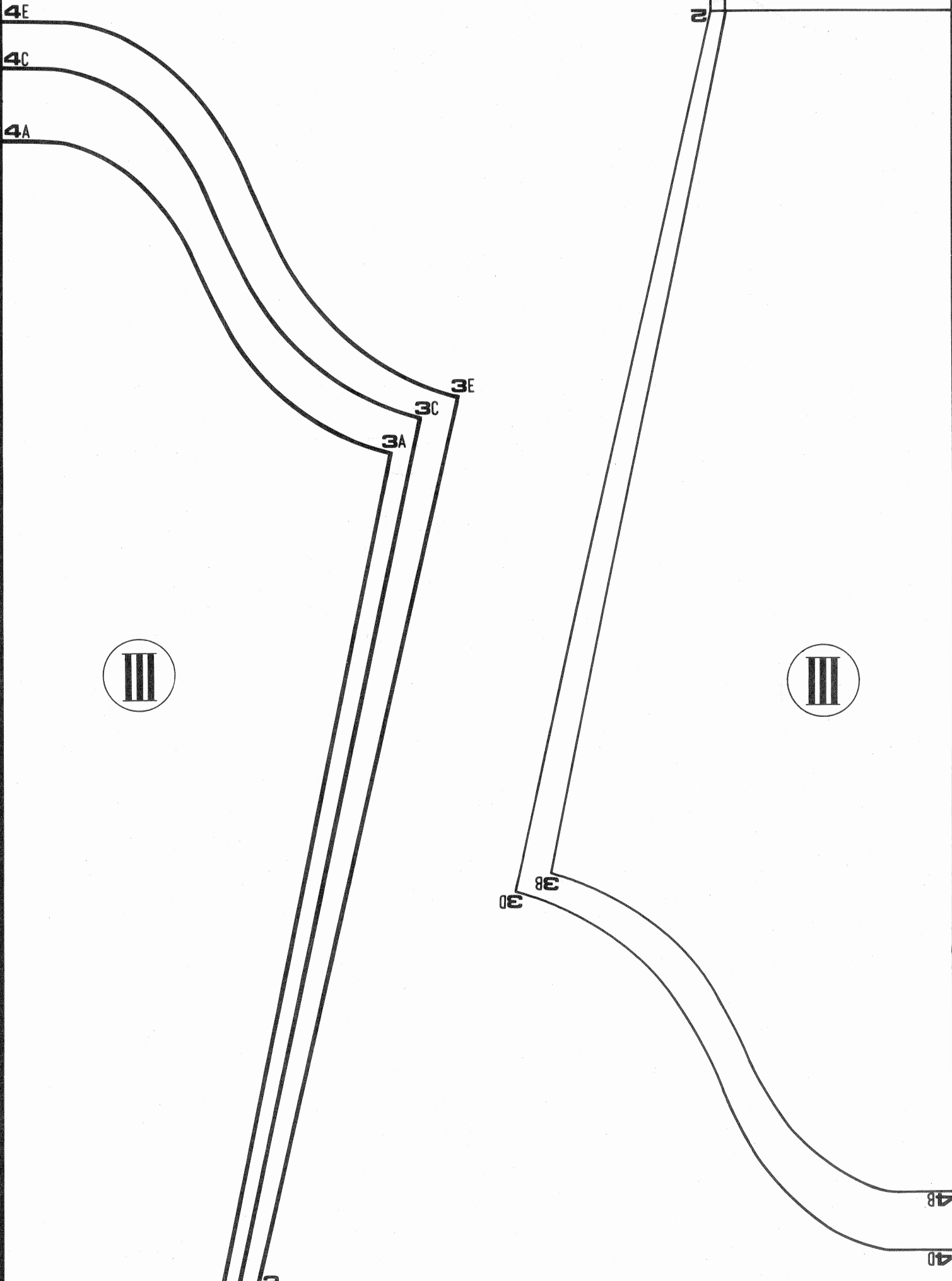
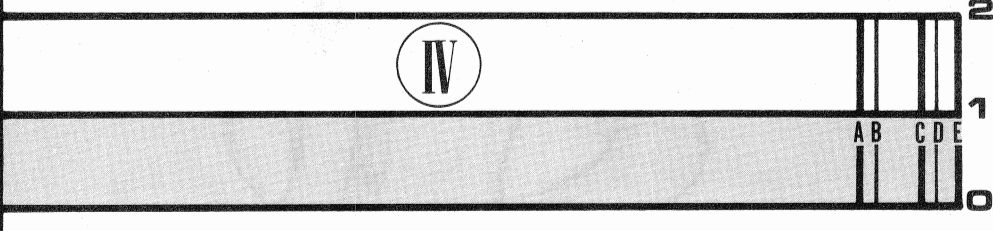


# A-1

	A	B	C	D	E
	81cm (32")	86cm (34")	91cm (36")	96cm (38")	101cm (40")
	84 (33)	89 (35)	94 (37)	99 (39)	104 (41)
	55.5 (21 <sup>3</sup> / <sub>4</sub> )	56.5 (22 <sup>1</sup> / <sub>4</sub> )	59 (23 <sup>1</sup> / <sub>4</sub> )	60 (23 <sup>5</sup> / <sub>8</sub> )	62 (24 <sup>3</sup> / <sub>8</sub> )
	31.5 (12 <sup>3</sup> / <sub>8</sub> )	34.5 (13 <sup>1</sup> / <sub>2</sub> )	35.5 (14)	37.5 (14 <sup>3</sup> / <sub>4</sub> )	39 (15 <sup>3</sup> / <sub>8</sub> )
	53 (20 <sup>7</sup> / <sub>8</sub> )	54.5 (21 <sup>1</sup> / <sub>2</sub> )	56 (22 <sup>1</sup> / <sub>8</sub> )	57 (22 <sup>1</sup> / <sub>2</sub> )	58 (22 <sup>7</sup> / <sub>8</sub> )

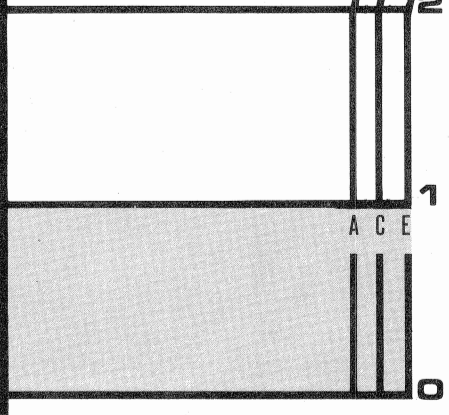


A-1

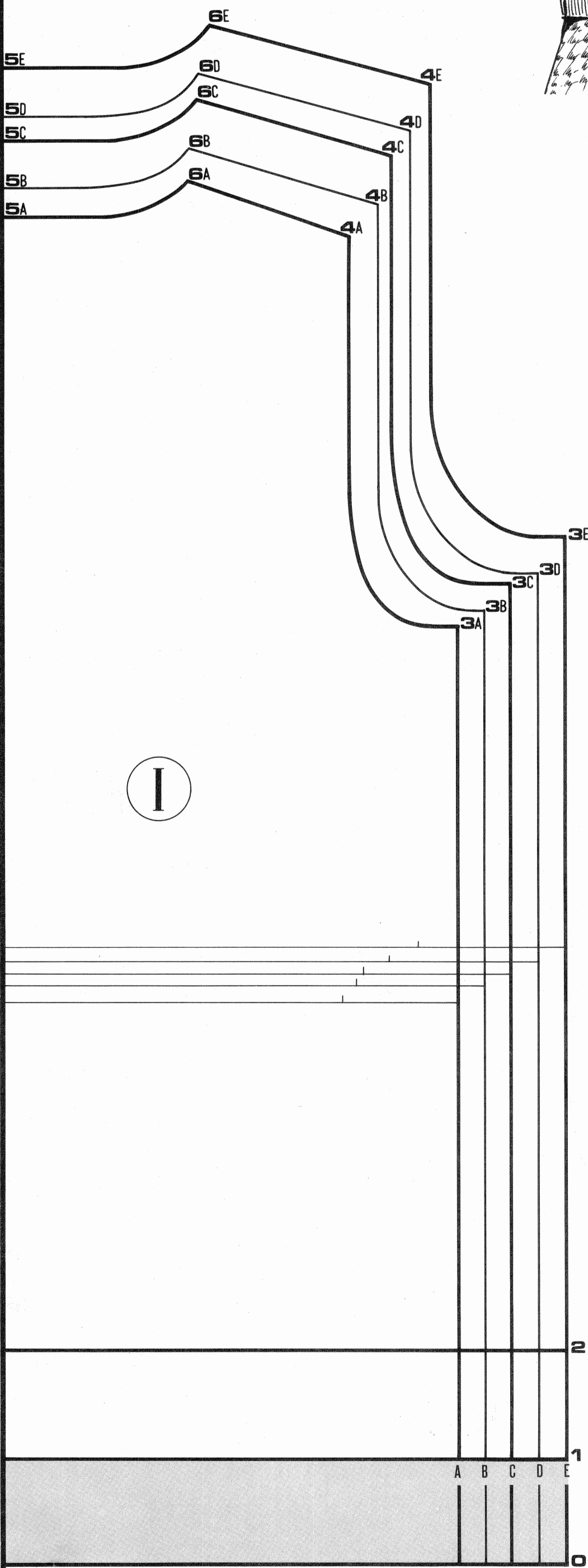


III

III



A-2



A-2



V



4E

4C

4A

3E

3C

3A

IV

M

3E

3C

4B

4D

2

1

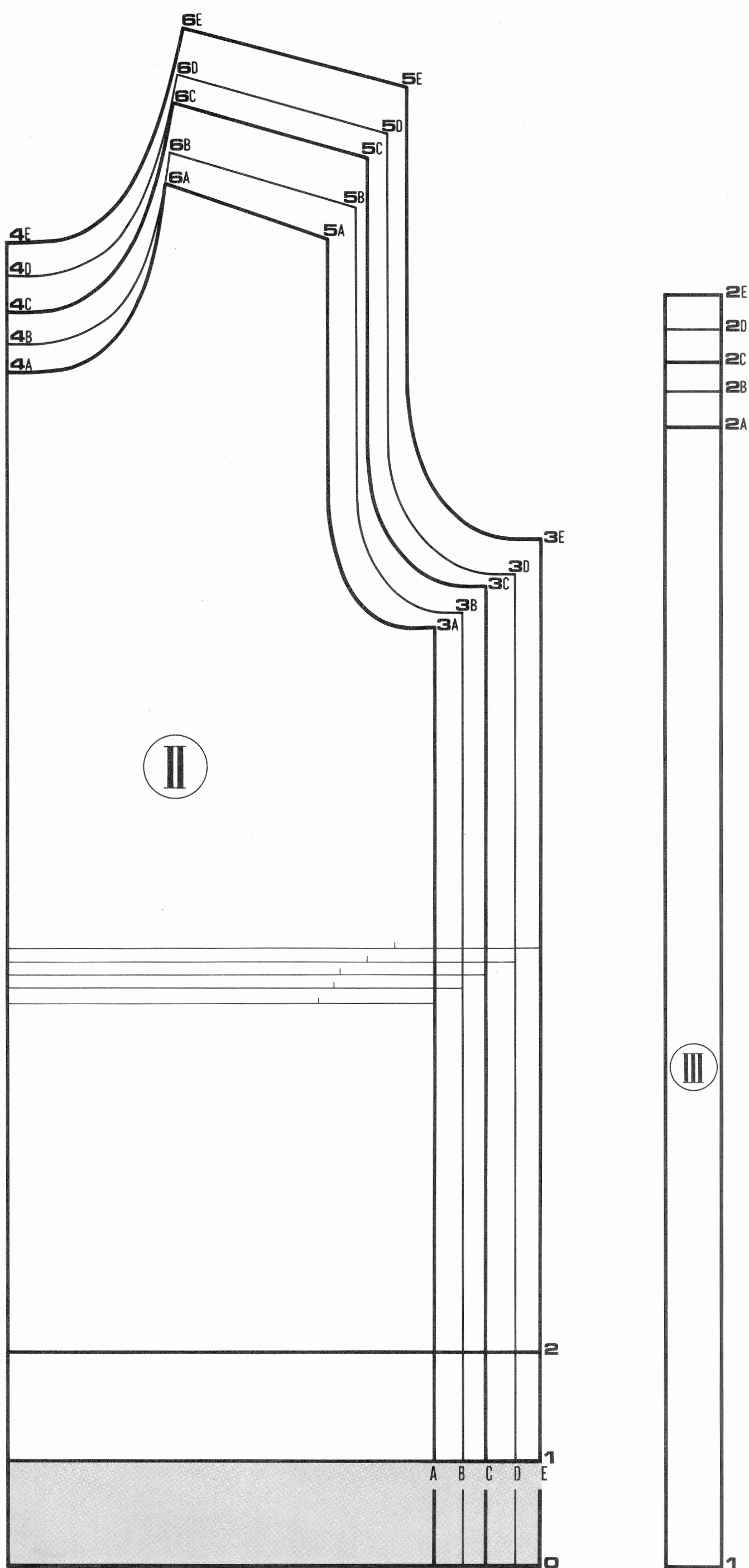
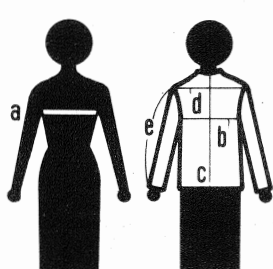
A C E

0



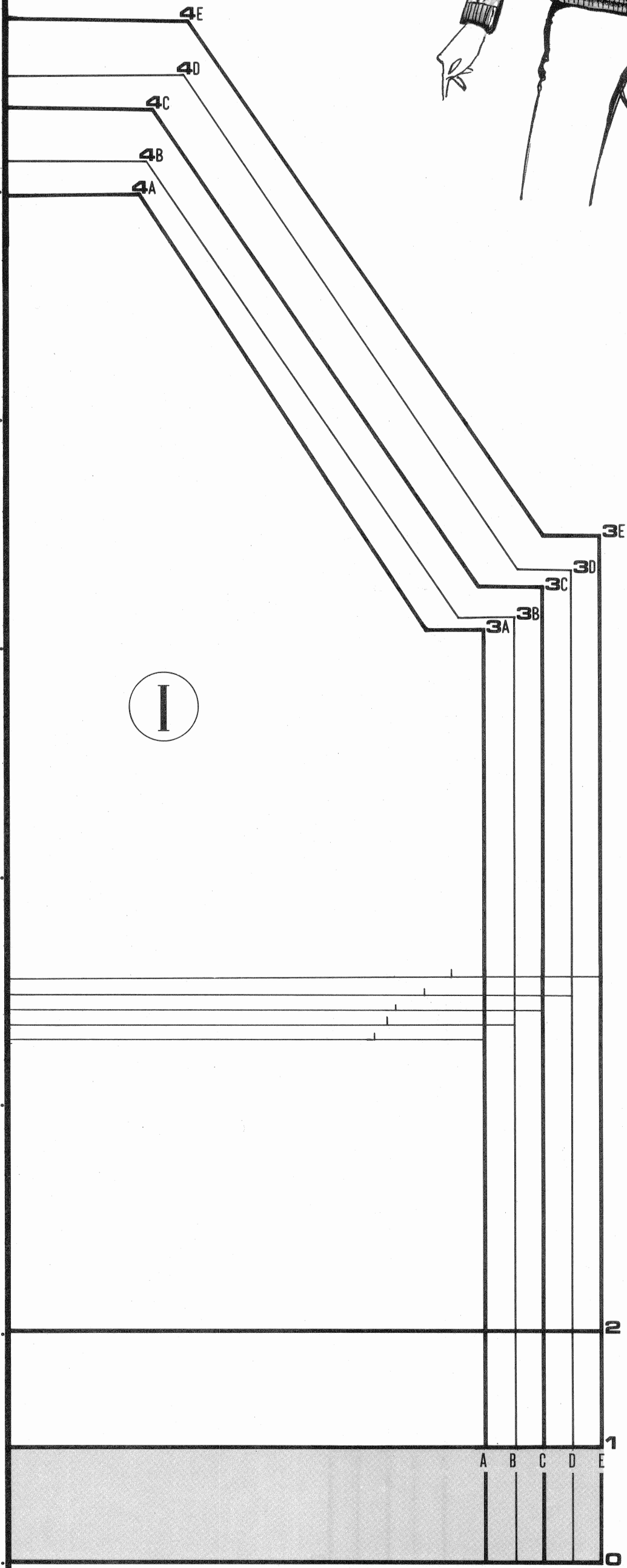
# A-2

	A	B	C	D	E
a	81cm (32")	86cm (34")	91cm (36")	96cm (38")	101cm (40")
b	86 (34)	91 (36)	96 (38)	101 (40)	106 (42)
c	59 (23 $\frac{1}{4}$ )	60 (23 $\frac{5}{8}$ )	62.5 (24 $\frac{1}{2}$ )	63.5 (25)	66 (26)
d	33 (13)	35.5 (14)	37 (14 $\frac{1}{2}$ )	38.5 (15 $\frac{1}{4}$ )	40.5 (16)
e	55 (21 $\frac{5}{8}$ )	56.5 (22 $\frac{1}{4}$ )	57.5 (22 $\frac{5}{8}$ )	58.5 (23)	60.5 (23 $\frac{3}{4}$ )



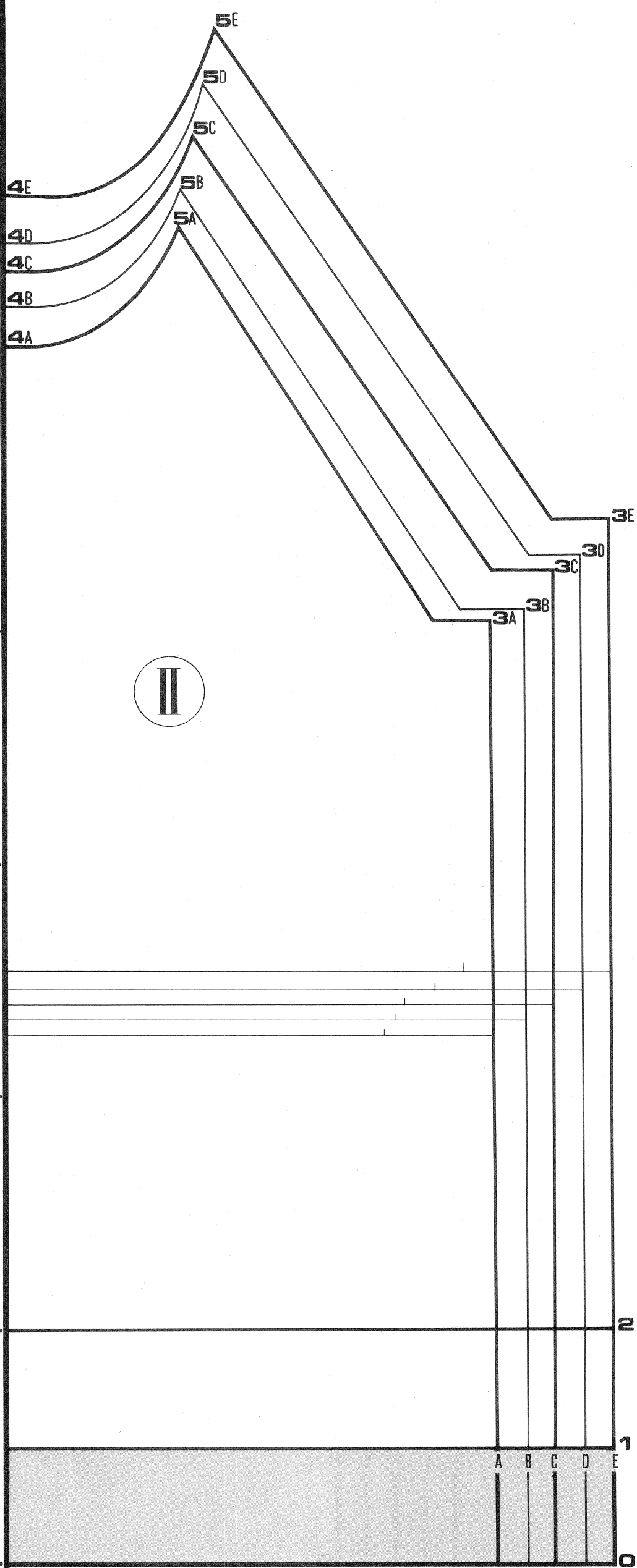
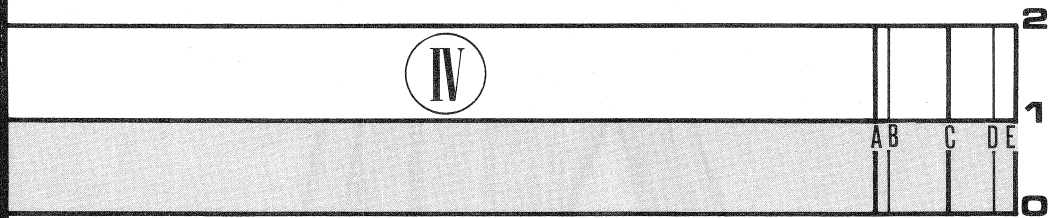
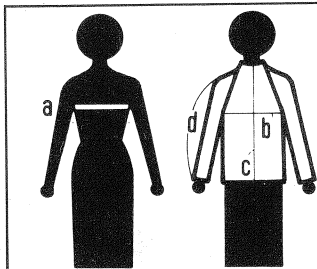


A-3



# A-3

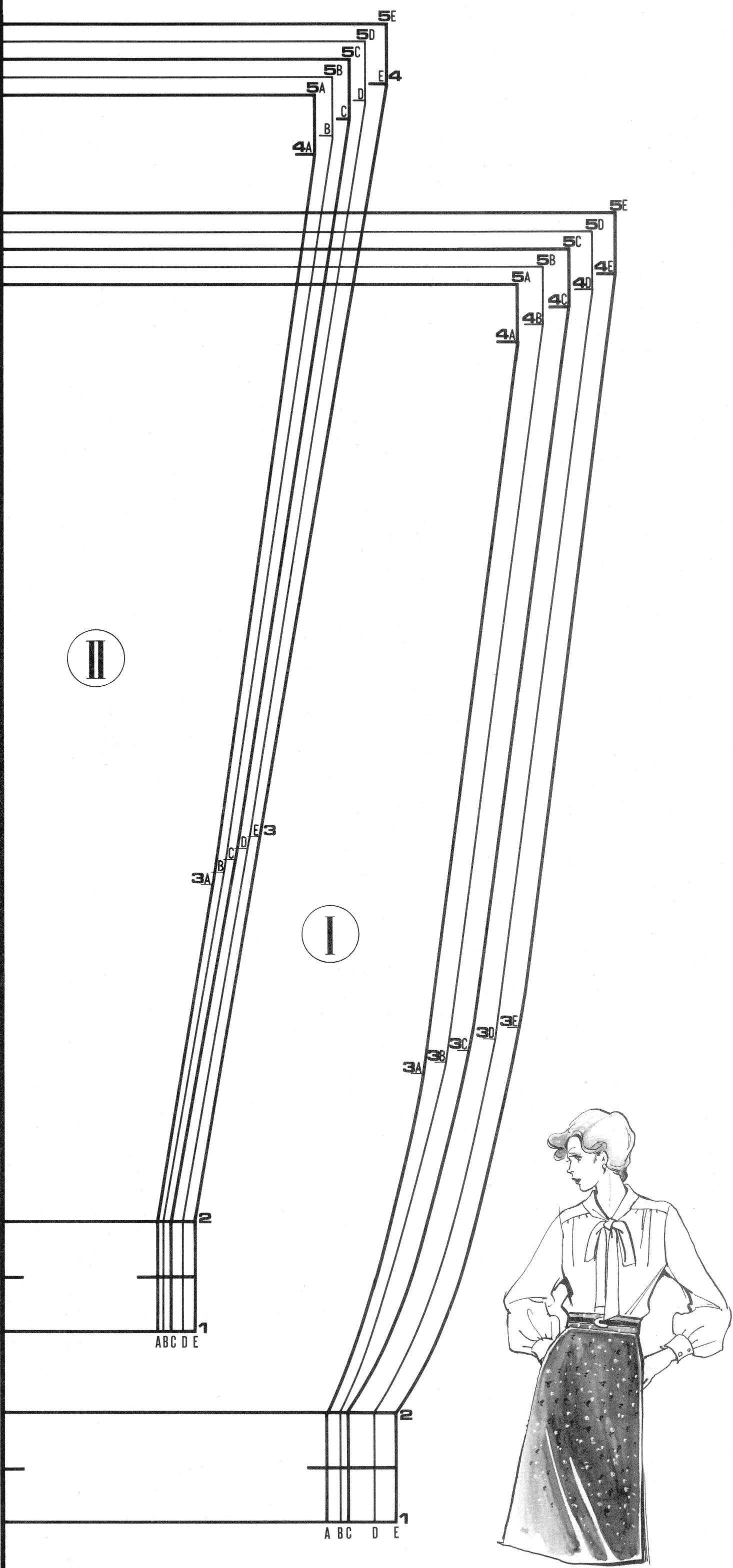
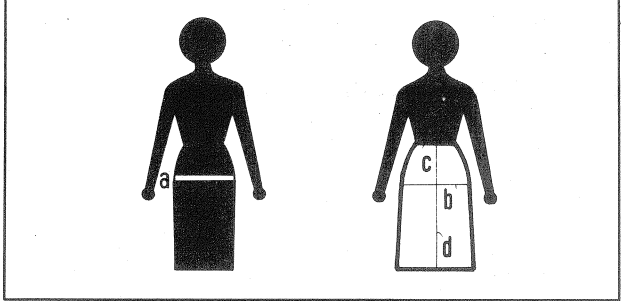
	A	B	C	D	E
a	81cm (32")	86cm (34")	91cm (36")	96cm (38")	101cm (40")
b	84 (33)	89 (35)	94 (37)	99 (39)	104 (41)
c	55.5 (21 $\frac{3}{4}$ )	56.5 (22 $\frac{1}{4}$ )	59 (23 $\frac{1}{4}$ )	60 (23 $\frac{5}{8}$ )	62 (24 $\frac{3}{8}$ )
d	53 (20 $\frac{7}{8}$ )	54.5 (21 $\frac{1}{2}$ )	56 (22 $\frac{1}{8}$ )	57 (22 $\frac{1}{2}$ )	58 (22 $\frac{7}{8}$ )



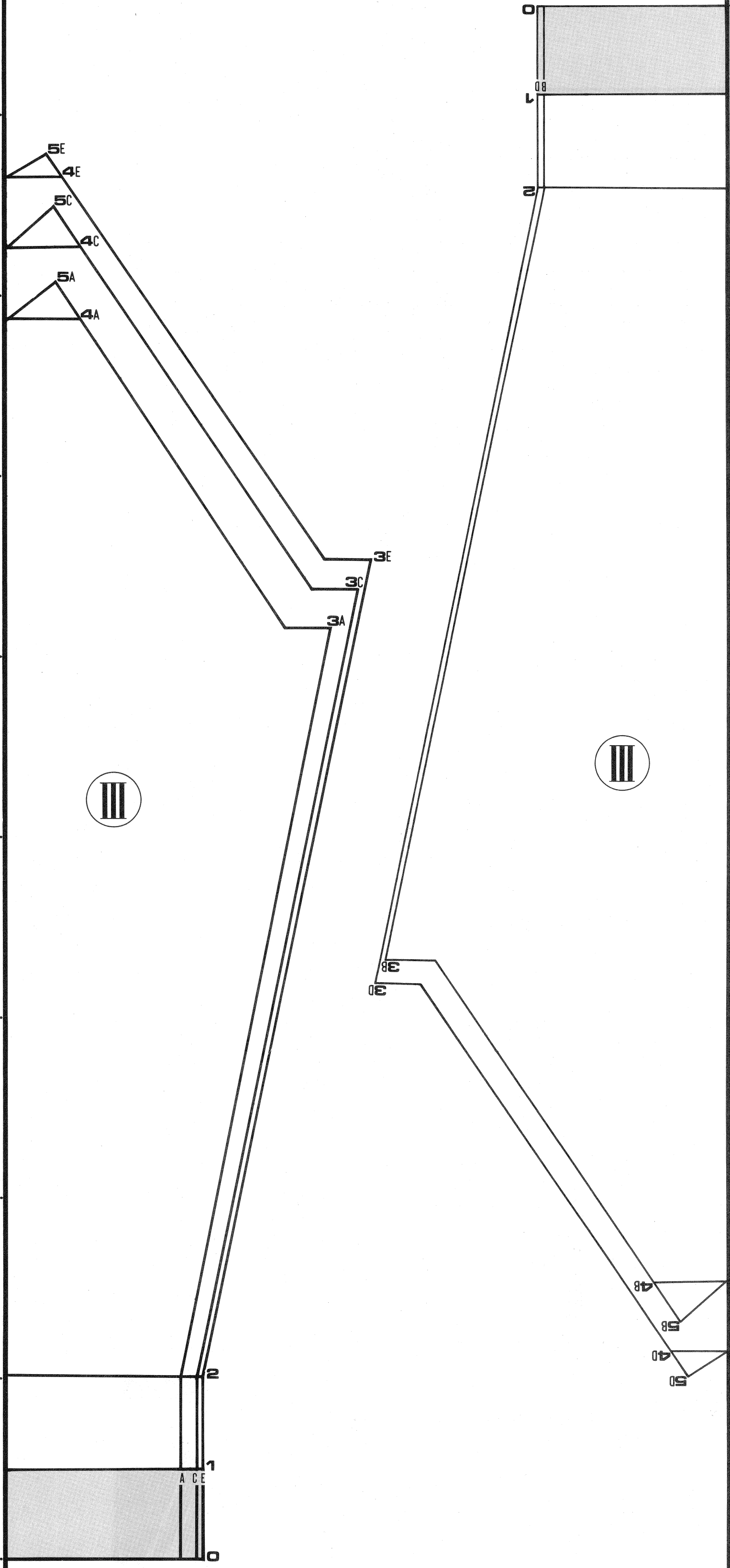


# A-4

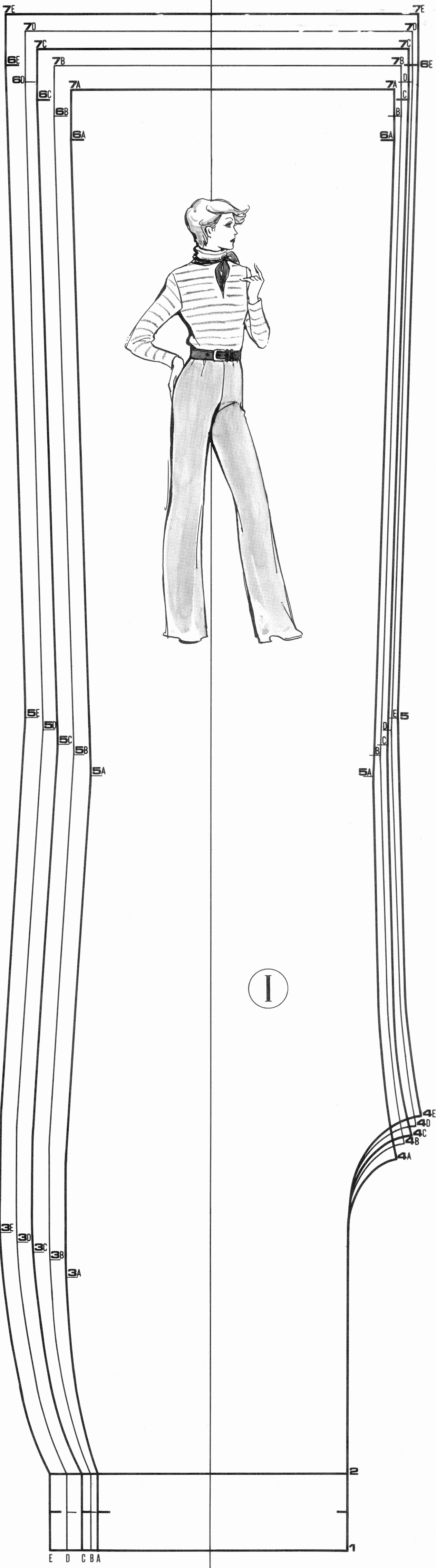
	A	B	C	D	E
a	86cm (34")	91cm (36")	96cm (38")	102cm (40")	107cm (42")
b	89 (35)	94 (37)	99 (39)	104 (41)	109 (43)
c	68.5 (27)	71 (28)	73.5 (29)	79 (31)	84 (33)
d	56.5 (22 1/4)	57.5 (22 5/8)	58.5 (23)	59.5 (23 3/8)	60.5 (23 3/4)



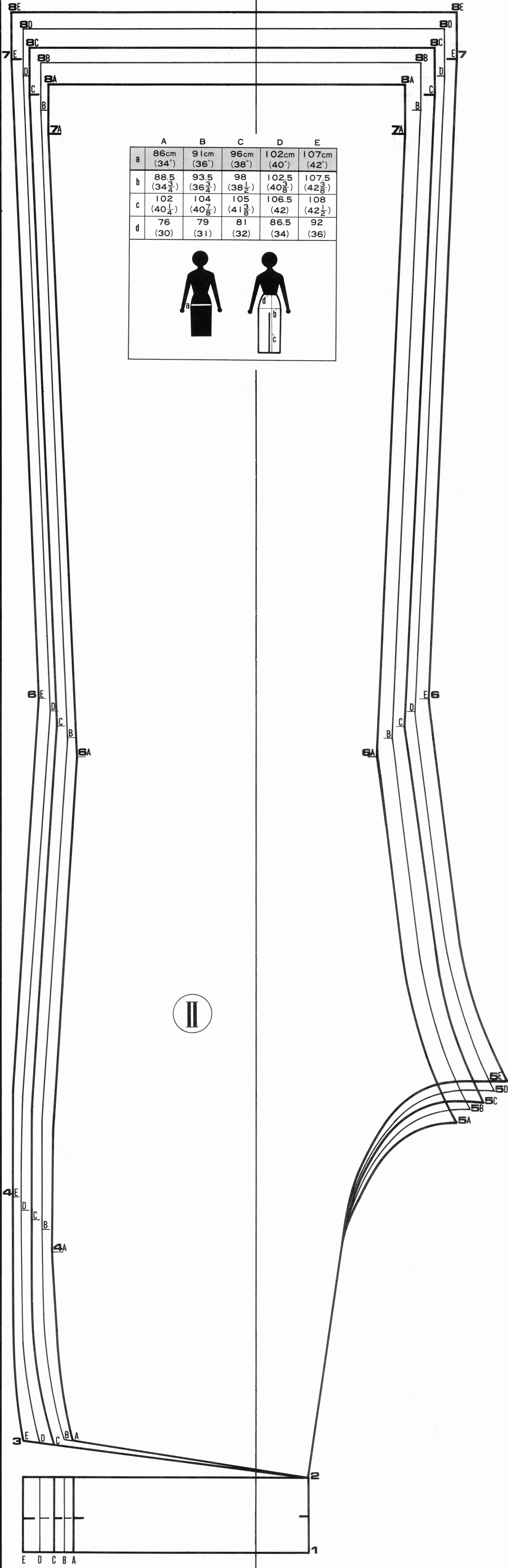
A-3



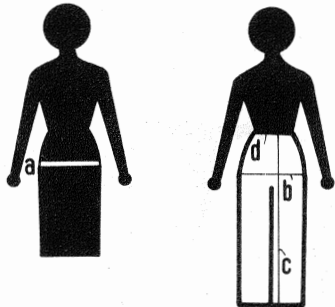
A-5



# A-5



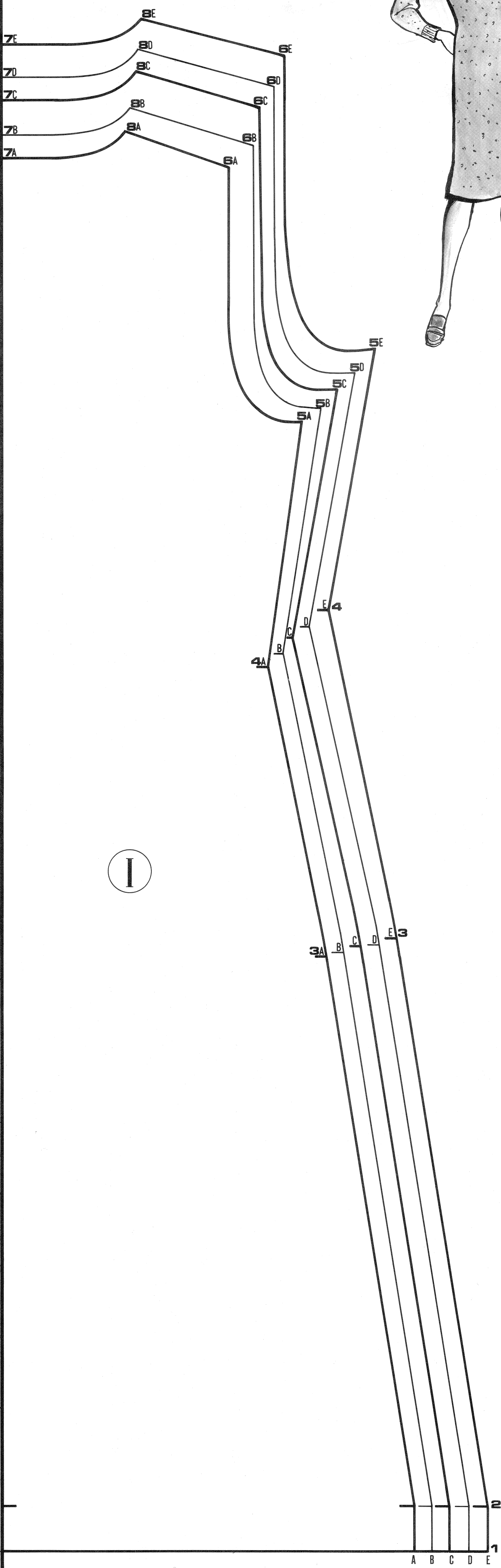
	A	B	C	D	E
a	86cm (34")	91cm (36")	96cm (38")	102cm (40")	107cm (42")
b	88.5 (34 <sup>3</sup> / <sub>4</sub> )	93.5 (36 <sup>3</sup> / <sub>4</sub> )	98 (38 <sup>1</sup> / <sub>2</sub> )	102.5 (40 <sup>3</sup> / <sub>8</sub> )	107.5 (42 <sup>3</sup> / <sub>8</sub> )
c	102 (40 <sup>1</sup> / <sub>4</sub> )	104 (40 <sup>7</sup> / <sub>8</sub> )	105 (41 <sup>3</sup> / <sub>8</sub> )	106.5 (42)	108 (42 <sup>1</sup> / <sub>2</sub> )
d	76 (30)	79 (31)	81 (32)	86.5 (34)	92 (36)



II



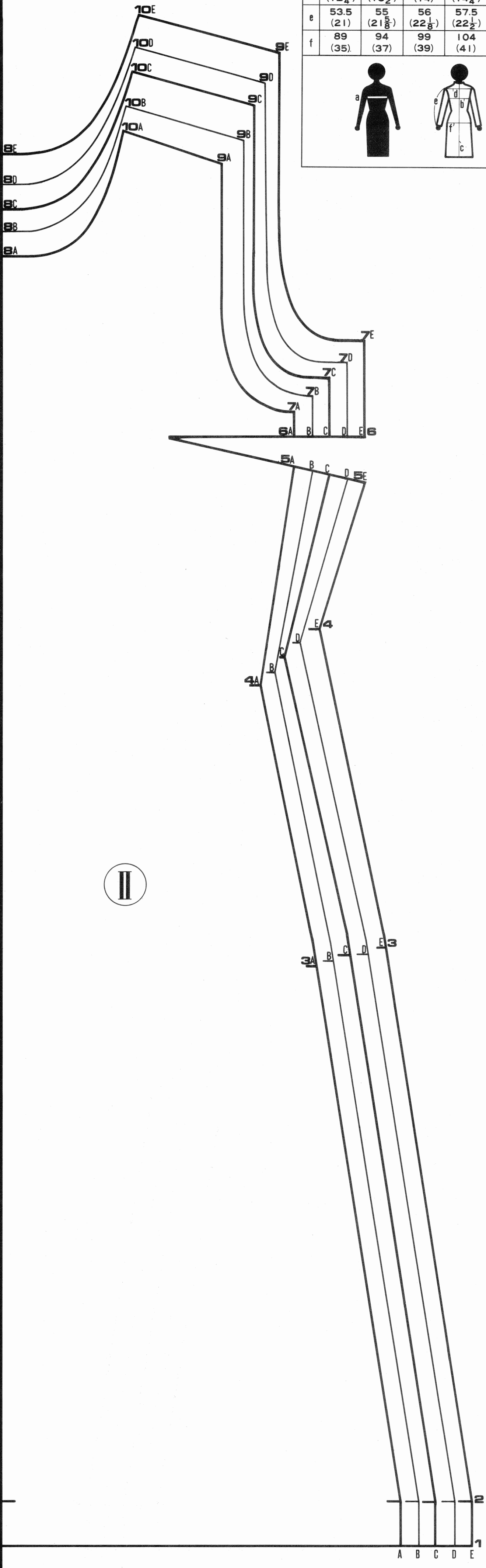
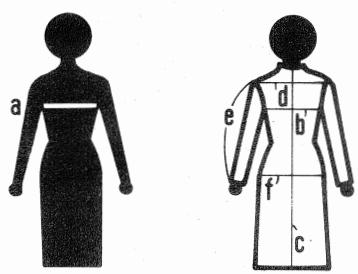
A-6





# A-6

	A	B	C	D	E
a	81cm (32")	86cm (34")	91cm (36")	96cm (38")	101cm (40")
b	84 (33)	89 (35)	94 (37)	99 (39)	104 (41)
c	94 (37)	96 (37 $\frac{3}{4}$ )	98 (38 $\frac{5}{8}$ )	100 (39 $\frac{1}{4}$ )	102 (40 $\frac{1}{4}$ )
d	31.5 (12 $\frac{1}{4}$ )	34.5 (13 $\frac{1}{2}$ )	35.5 (14)	37.5 (14 $\frac{3}{4}$ )	39 (15 $\frac{3}{8}$ )
e	53.5 (21)	55 (21 $\frac{5}{8}$ )	56 (22 $\frac{1}{8}$ )	57.5 (22 $\frac{1}{2}$ )	59 (23 $\frac{1}{8}$ )
f	89 (35)	94 (37)	99 (39)	104 (41)	109 (43)

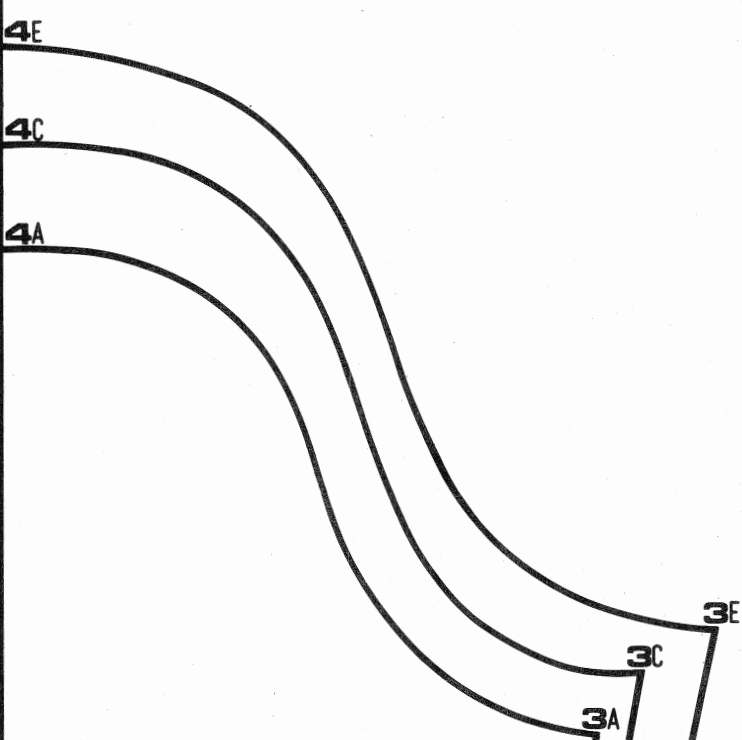
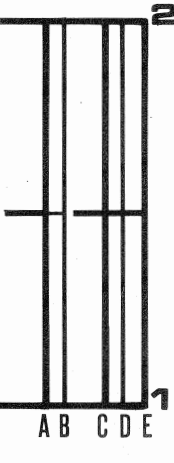




A-6



IV



III

III

