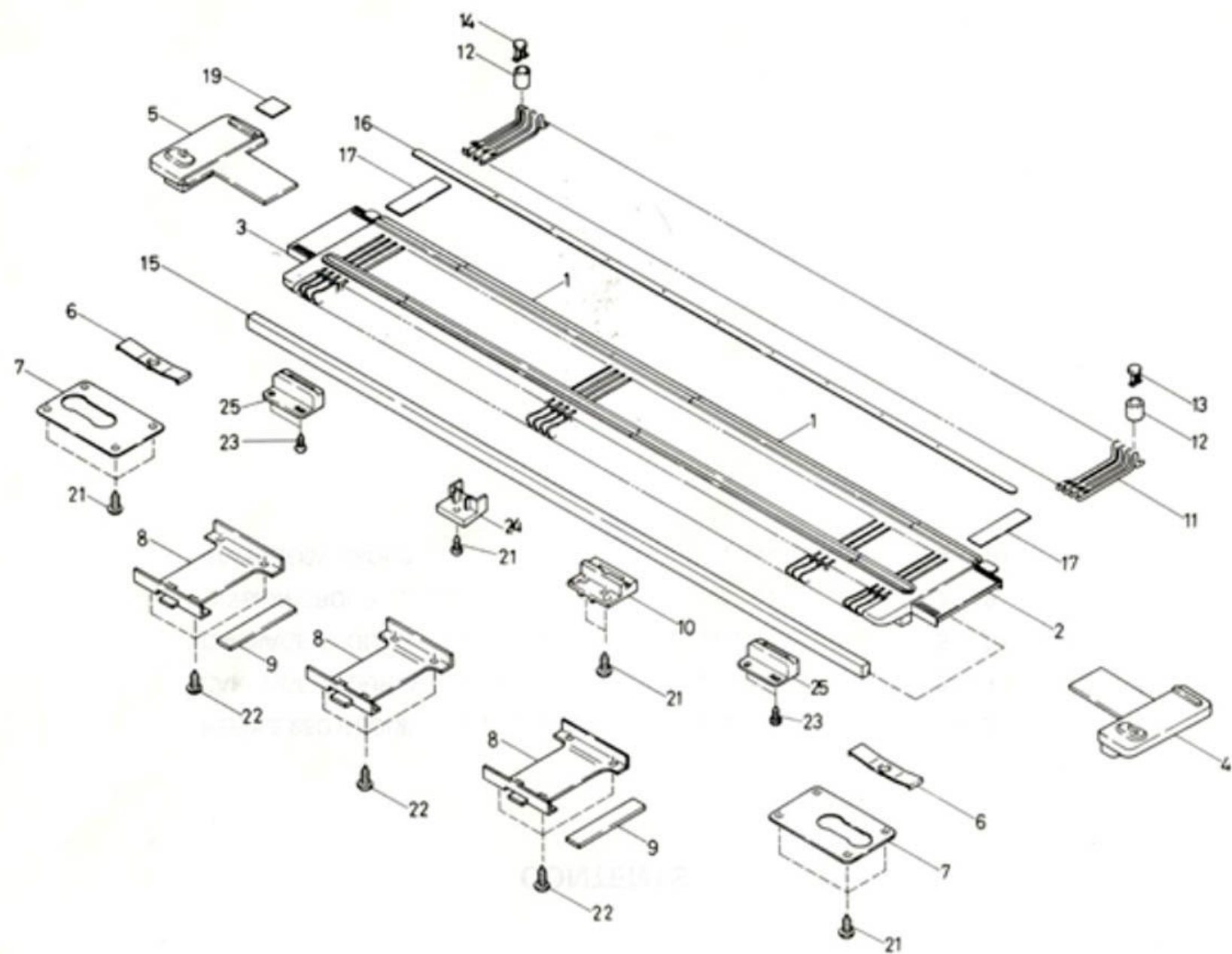
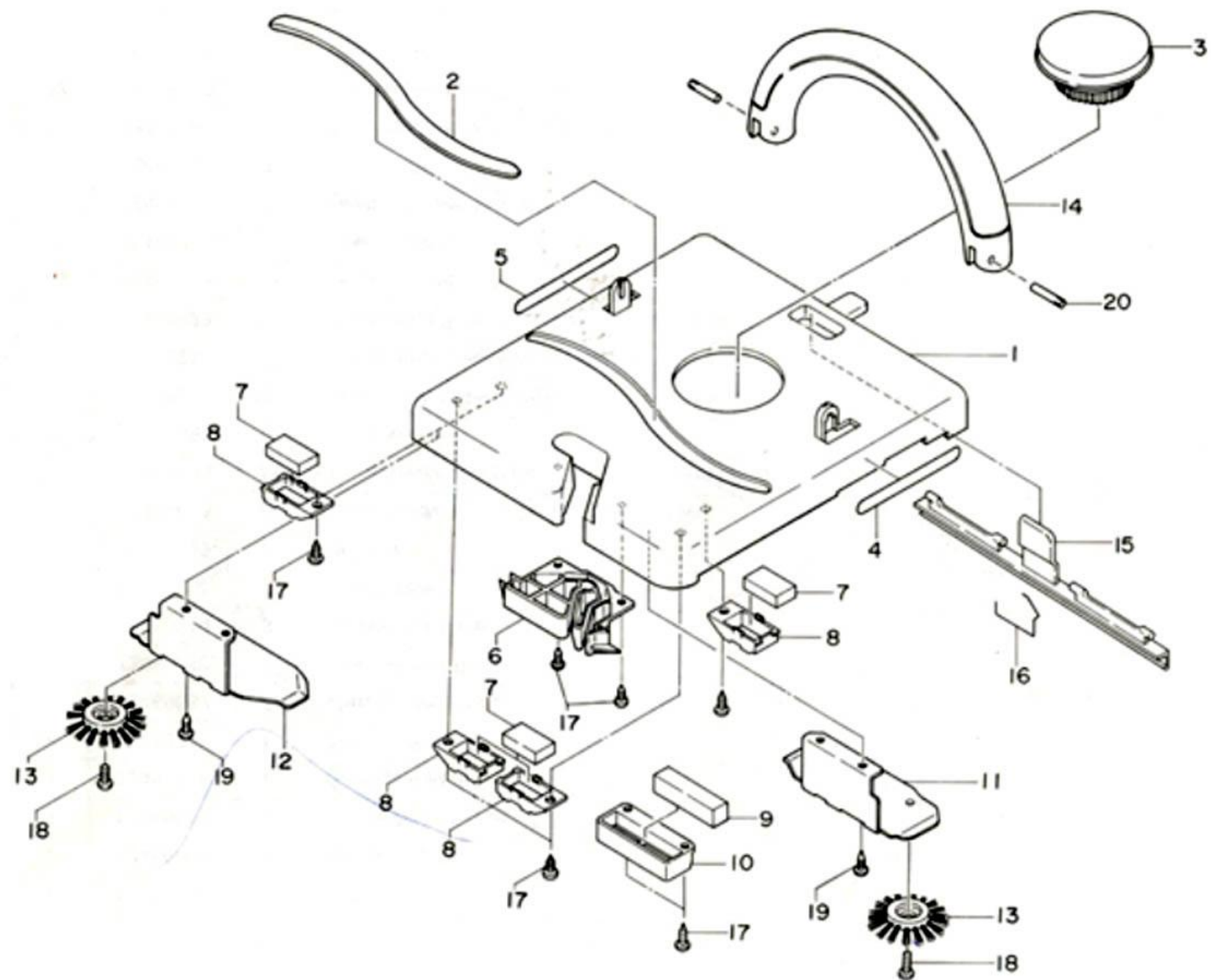


NEEDLE BED GROUP



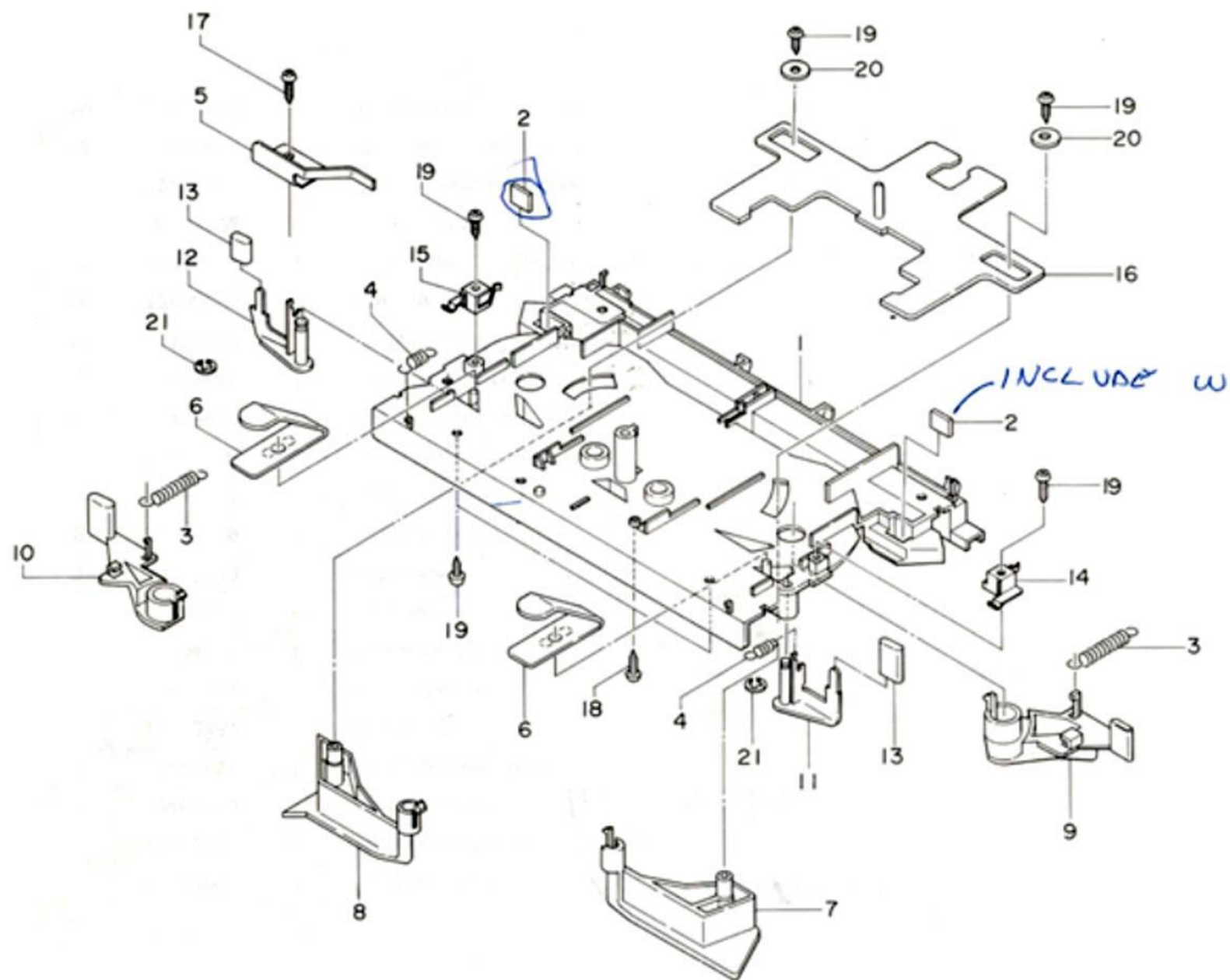
Ref. No.	Parts No.	Q'ty	Description
1	12419172	2	Needle Bed (C)
2	12459608	1	Needle Bed (R)
3	12459616	1	Needle Bed (L)
4	12459764	1	Carriage Rest (R)
5	12459772	1	Carriage Rest (L)
6	12459657	2	Carriage Rest Stopper
7	12459640	2	Carriage Rest Bracer
8	12419214	3	Needle Bed Bracer
9	07076821	2	Foot Rubber
10	12419222	1	RC Base
○	12459665	75	Latch Needle Unit A (No.11, 12, 13: Gray)
○	12459673	75	Latch Needle Unit B (No.11, 12, 14: Accent Colour)
11	12459681	150	Latch Needle
12	12415246	150	Needle Butt Roller (Gray)
13	12415253	75	Needle Butt Roller Stopper A (Gray)
14	06146823	75	Needle Butt Roller Stopper B (Accent Colour)
15	12459699	1	Brake Sponge
16	12459707	1	Needle Bed Scale
17	12459715	2	Needle Position Indicator (A)
19	12462917	1	Front Seal
21	12425583	11	PTT Binding Head Screw 3 × 8
22	01455229	12	Binding Head Tapping Screw 2, 3 × 12
23	12462461	4	Binding Head Tapping Screw 2, 3 × 10
24	12434031	1	Tension Base
25	12415196	2	Yarn Rest Base
○	12443545	4	Plain Washer 2. 2 × 10 × 0.8

CARRIAGE GROUP (A)



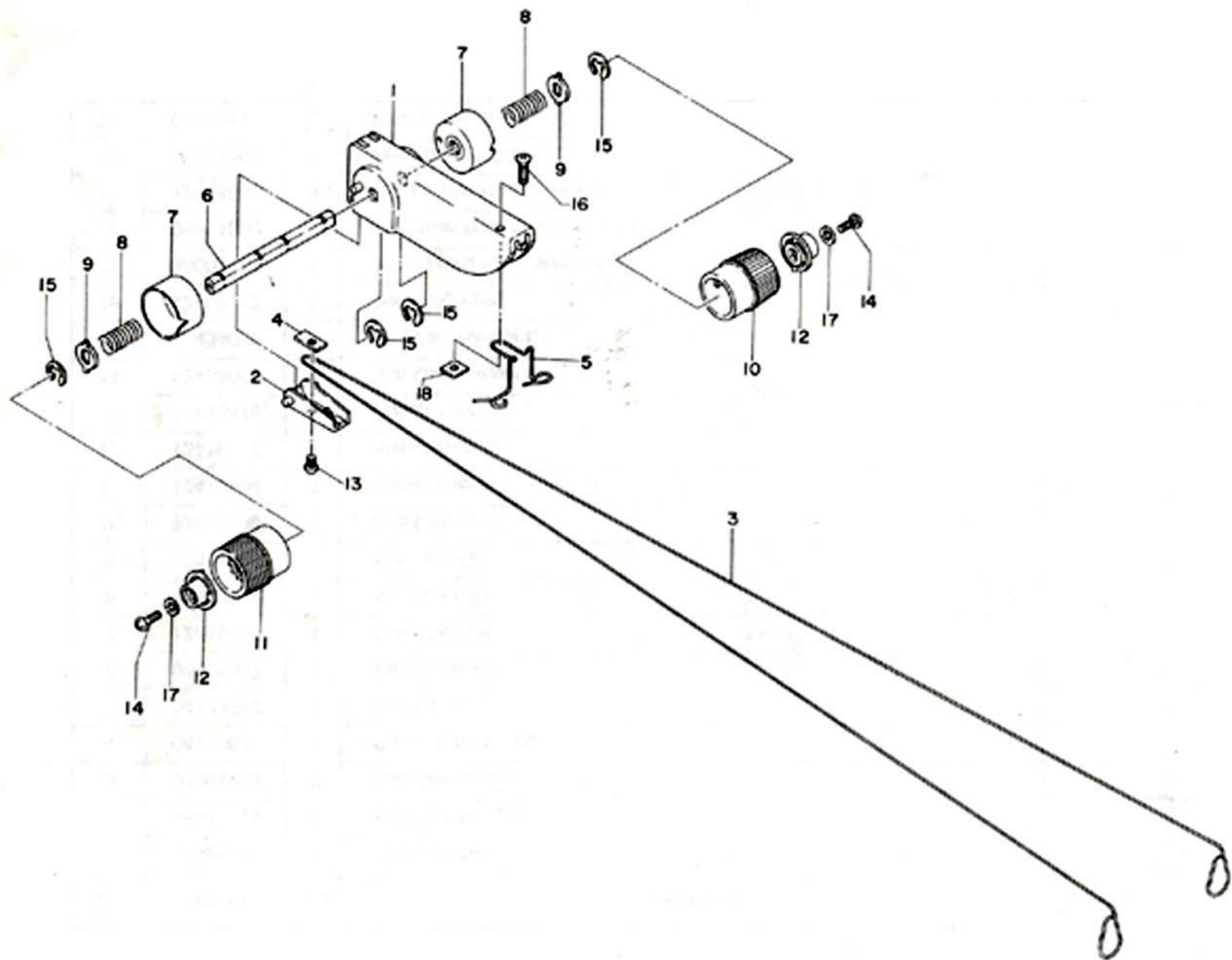
Ref. No.	Parts No.	Q'ty	Description
◎	12462909	1	Carriage Unit (A — B) <i>Rep. 12478541</i>
○	12462891	1	Carriage Cover Unit (No.1 — 2)
1	12462883	1	Carriage Cover <i>Rep. 12478608</i>
2	12462875	1	Carriage Cover Plate
3	12462867	1	Stitch Dial <i>8.00</i>
4	12434544	1	Russel Seal (R)
5	12434551	1	Russel Seal (L)
6	12462602	1	Yarn Feeder
7	04620613	4	S Magnet
8	04106209	4	Magnet Cover
9	04255311	1	Latch Magnet C
10	12417408	1	Latch Magnet C Cover No.2
11	12419560	1	Fabric Presser No.2 (R)
12	12419578	1	Fabric Presser No.2 (L)
13	06176887	2	Round Brush C
14	12460069	1	Carriage Handle
15	07416829	1	Lock Lever <i>Rep. 12460192</i>
16	06276828	1	Lock Lever Spring
17	12425583	8	PTT Binding Head Screw 3 × 8 <i>Rep. 74001405</i>
18	08030611	2	Collar Head Screw 3 × 5
19	01040419	2	Binding Head Tapping Screw 2, 3 × 8
20	12417036	2	Carriage Handle Pin G4 × 14

CARRIAGE GROUP (B)



Ref. No.	Parts No.	Q'ty	Description
1	12459889	1	Carriage Plate
2	06216824	2	Sub Cam Stopper
3	04086203	2	Sub Cam Spring
4	04720611	2	Russel Cam Spring
5	04173712	1	Dial Spring
6	06636823	2	Handle Spring
7	12459897	1	Main Cam (R)
8	12459905	1	Main Cam (L)
9	12419388	1	Sub Cam (R)
10	12419396	1	Sub Cam (L)
11	12419404	1	Russel Cam (R)
12	12419412	1	Russel Cam (L)
13	12419479	2	Russel Knob
14	12434064	1	Sub Cam Hanger (R)
15	12434072	1	Sub Cam Hanger (L)
16	12459913	1	Travelling Plate
17	96003801	1	PTT Binding Head Screw 3 × 5
18	05861000	1	Pan Head Tapping Screw 2, 2.6 × 10
19	12425583	8	PTT Binding Head Screw 3 × 8
20	02372001	2	Plain Washer 3.2 × 10 × 1
21	08662116	2	E Snap Ring 3

Rep. 74001405



Ref. No.	Parts No.	Q'ty	Description
◎	12462859	1	Tension Unit (No.1 — 18) <i>USE 12434569</i>
1	12416400	1	Tension Arm
2	12416418	1	Tension Spring Holder
3	12416426	1	Tension Spring
4	12416434	1	Tension Spring Holder
5	07116882	1	Round-shaped Yarn Guide
6	12416442	1	Tension Shaft
7	07082001	2	Tension Disc A
8	12462404	2	Tension Disc Spring
9	07111602	2	Tension Disc Spring Stopper
10	12462842	1	Tension Dial (R)
11	12462834	1	Tension Dial (L)
12	12434262	2	Dial Stopper
13	06214001	1	Binding Head Screw 2.6 × 4
14	06291009	2	Binding Head Screw 3 × 8
15	08672115	4	E Snap Ring 4
16	07541600	1	Oval Head Countersunk Screw 3 × 7
17	96503503	2	Spring Washer 2, 3
18	02036002	1	Square Nut 3
	<i>12416517</i>		<i>YARN. ROD</i>

ACCESSORY GROUP

