

1989

Not for Sale

PARTS CATALOGUE

FOR

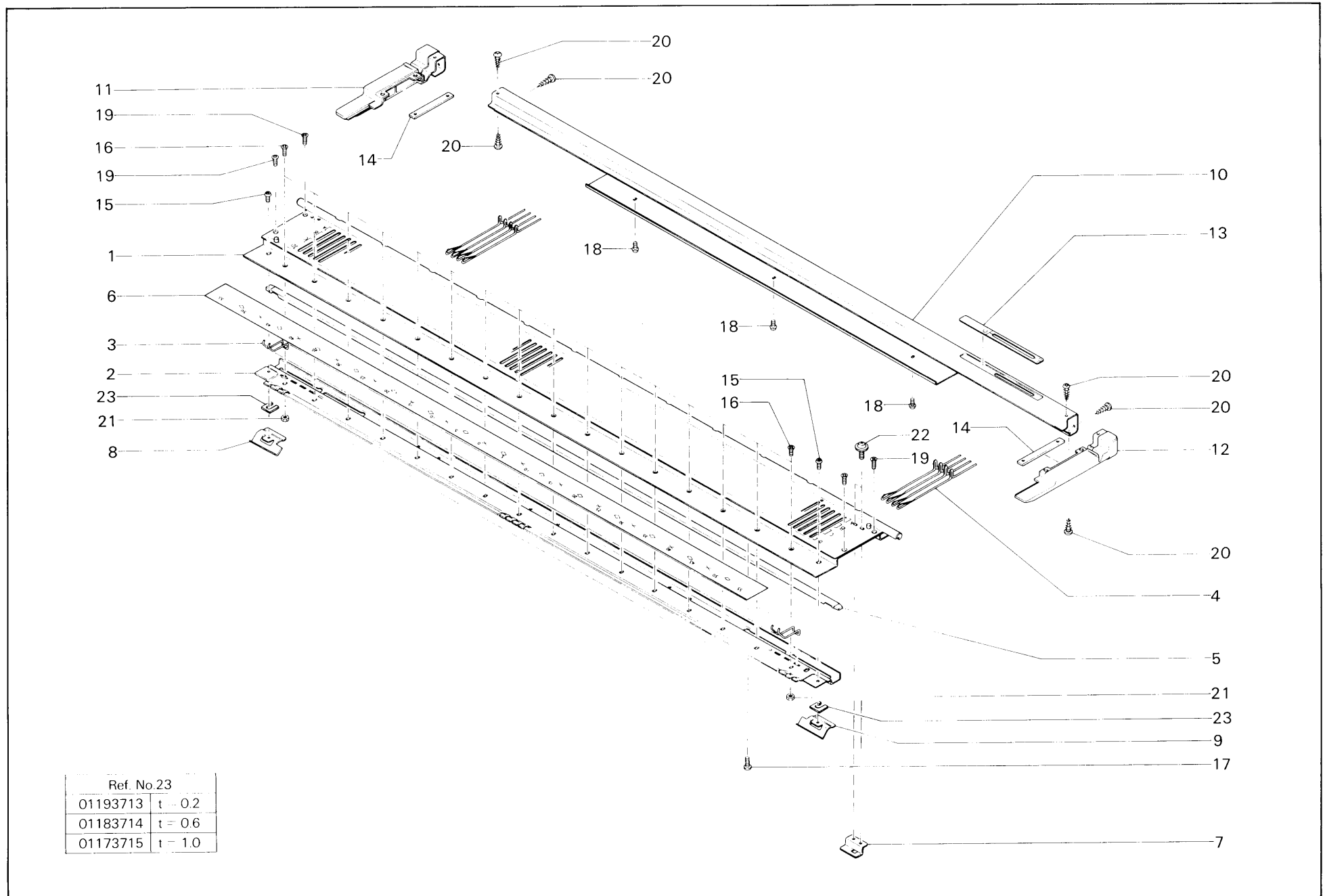
CHUNKY RIBBER

MOD. SR 155

CONTENTS

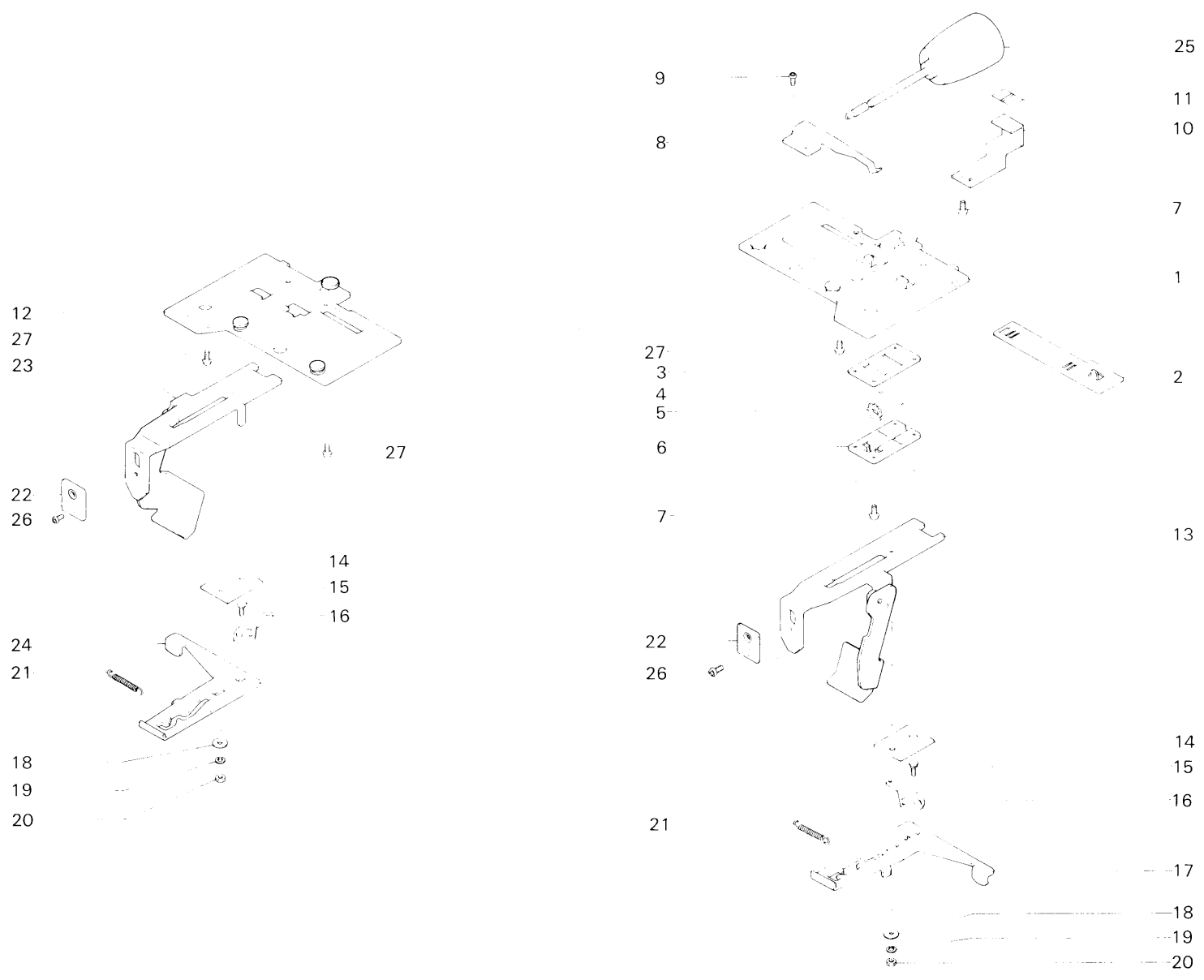
NEEDLE BED GROUP (A)	1 — 2
NEEDLE BED GROUP (B)	3 — 4
CARRIAGE GROUP (A)	5 — 6
CARRIAGE GROUP (B)	7 — 8
ARM GROUP	9 — 10
ACCESSORY GROUP	11 — 12

NEEDLE BED GROUP (A)

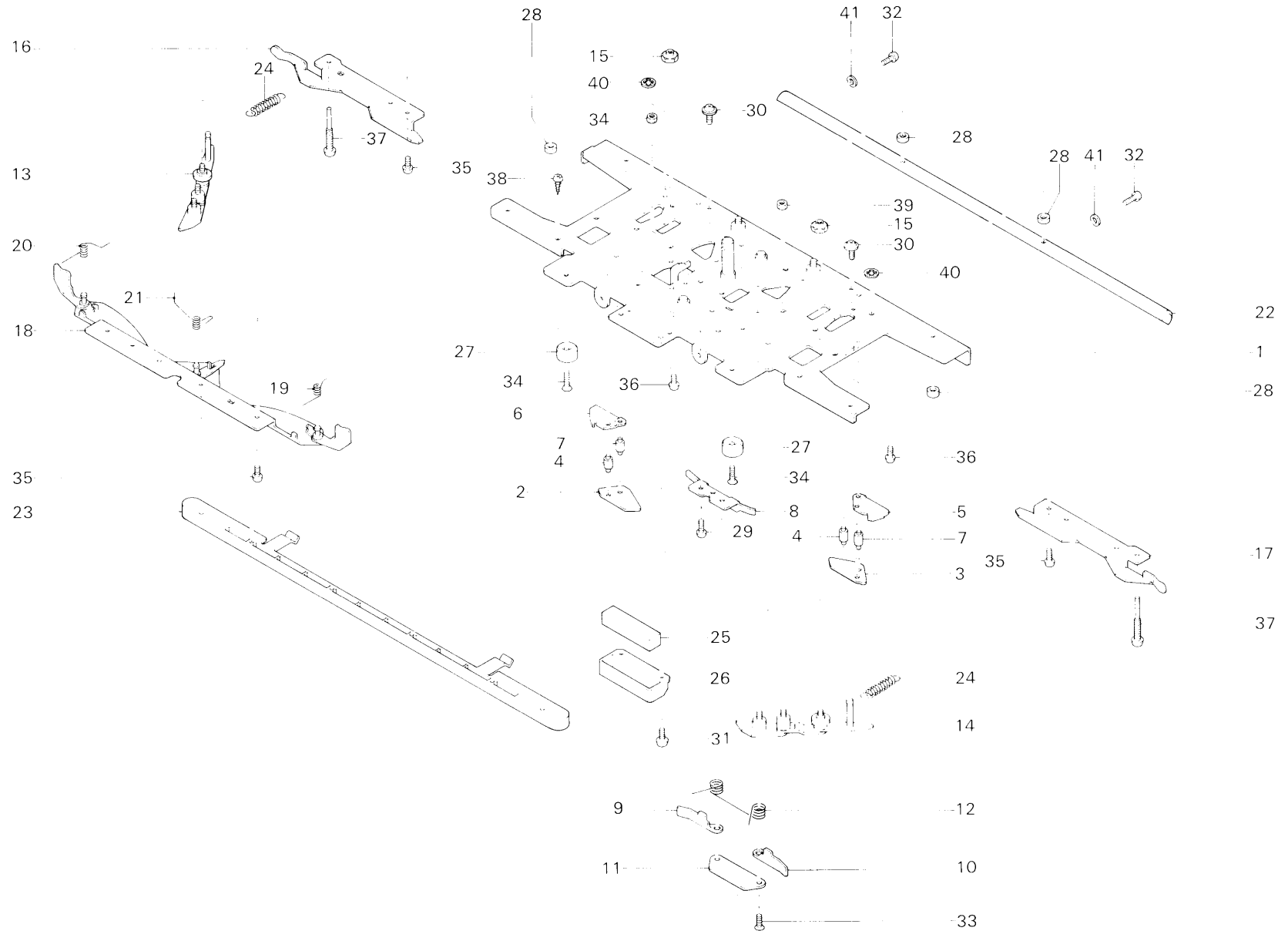


Ref. No.23	
01193713	t = 0.2
01183714	t = 0.6
01173715	t = 1.0

NEEDLE BED GROUP (B)



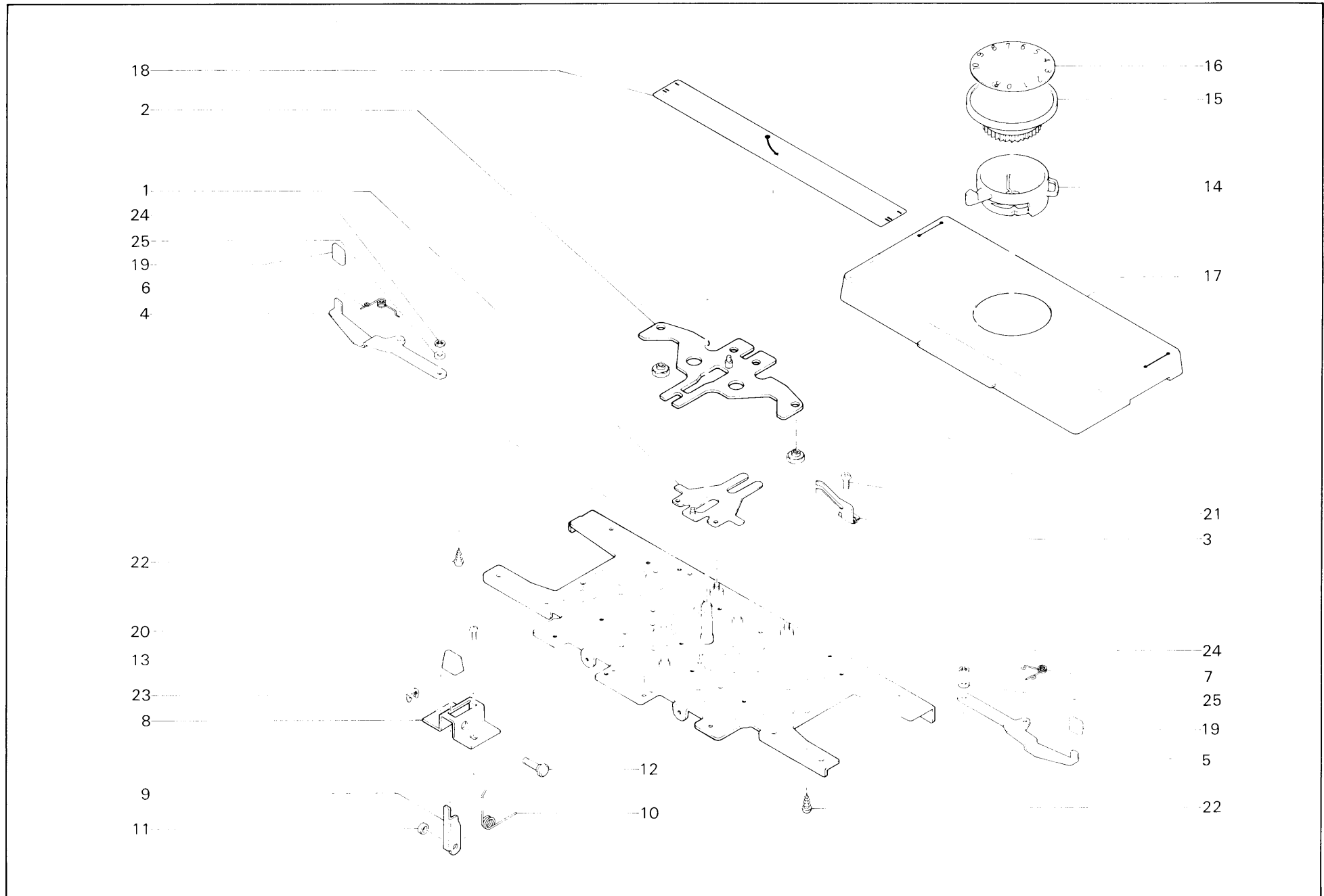
CARRIAGE GROUP (A)



Ref. No.	Parts No.	Q'ty	Description	Unit Price
⊙	05355326	1	Carriage Unit (A-B excl. Carriage Brand Plate) (SILVER REED SINGER STUDIO)	
	05405329	1	Carriage Unit (A-B) (EMPISAL-KNITMASTER)	
1	05025325	1	Carriage Plate Unit (incl. No.2—7)	
2	04035317	1	Guard Cam A (R)	
3	04045316	1	Guard Cam A (L)	
4	04116885	2	Guard Cam Rivet A	
5	04816880	1	Guard Cam B (R)	
6	04826889	1	Guard Cam B (L)	
7	04836888	2	Guard Cam Rivet B	
8	04055315	1	Lowering Cam Stopper	
9	05275326	1	Tuck Cam (R)	
10	05285325	1	Tuck Cam (L)	
11	04065314	1	Tuck Cam Base	
12	04166880	1	Tuck Cam Spring	
13	05045323	1	Main Cam Unit (R)	
14	05055322	1	Main Cam Unit (L)	
15	04471009	2	Main Cam Nut	
16	05145321	1	Guide Plate (R)	
17	05135322	1	Guide Plate (L)	
18	04445318	1	Needle Guide Unit	
19	04636882	1	Russel Lever Spring B (R)	
20	04646881	1	Russel Lever Spring B (L)	
21	04135315	1	Lowering Cam Spring	
22	05155320	1	Carriage Pipe	
23	05165329	1	Carriage Slider	

Ref. No.	Parts No.	Q'ty	Description	Unit Price
24	04215315	2	Sub Cam B Spring	
25	04255311	1	Latch Magnet C	
26	04265310	1	Latch Magnet C Cover	
27	04275319	2	Latch Magnet D	
28	05175328	4	Carriage Pipe Washer	
29	02750362	2	Pan Head Screw 3 × 3.5	
30	08015323	2	Collar Head Screw 3 × 6.5	
31	04782561	2	Binding Head Screw 3 × 4	
32	04606000	2	Binding Head Screw 3 × 4 (+0, -0.2)	
33	04183307	2	Flat Head Countersunk Screw 3 × 8	
34	04760203	2	Flat Head Countersunk Screw 3 × 12	
35	04930814	5	Binding Head STT Screw 3 × 5	
36	04820205	2	Binding Head STT Screw 3 × 18	
37	01241009	2	Spec. Binding Head CTT Screw 3 × 21	
38	04860201	6	Binding Head Tapping Screw 2, 3 × 10	
39	02521060	4	Hexagonal Nut 2, 3	
40	07571607	2	CS Snap Ring 2	
41	04916888	2	Plain Washer 3.1 × 6 × 0.2	

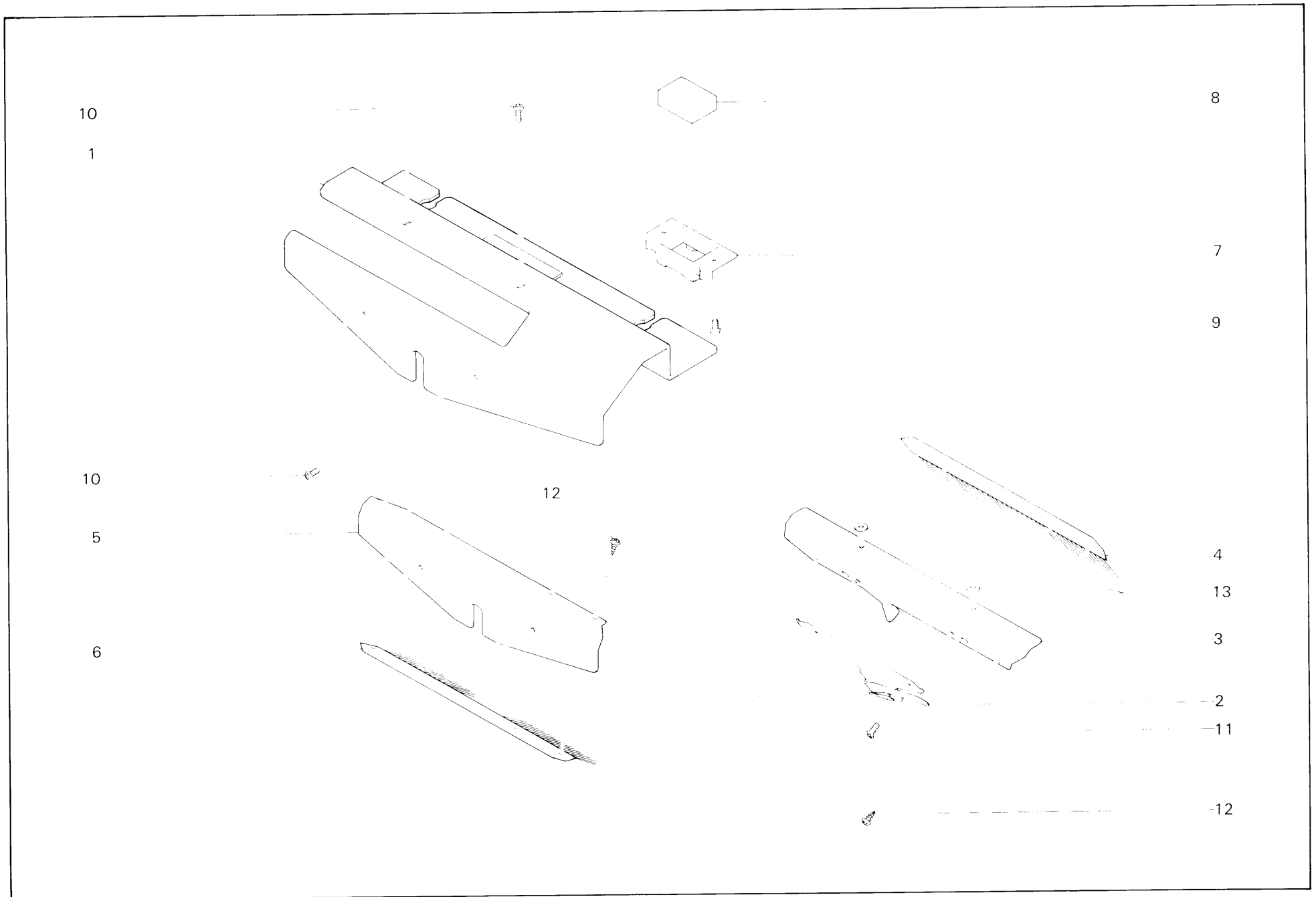
CARRIAGE GROUP (B)



Ref. No.	Parts No.	Q'ty	Description	Unit Price
1	04145314	1	Moving Plate	
2	04506812	1	Travelling Plate	
3	04671004	1	Dial Spring	
4	04175311	1	Set Lever (R)	
5	04185310	1	Set Lever (L)	
6	05185327	1	Set Lever Spring (R)	
7	05195326	1	Set Lever Spring (L)	
8	05215322	1	Link Arm Base	
9	05225321	1	Link Arm	
10	05235320	1	Link Arm Spring	
11	05245329	1	Link Arm Collar	
12	05255328	1	Link Arm Shaft	
13	05295324	1	Link Arm Knob	
14	04706883	1	Cam Lever	
15	04736880	1	Stitch Dial	
16	05035316	1	Dial Indicator	
	05435326	1	Dial Indicator (EMPISAL-KNITMASTER)	
17	05315320	1	Carriage Cover	
	05415328	1	Carriage Cover (EMPISAL-KNITMASTER)	
18	05325329	1	Carriage Brand Plate (SILVER REED)	
	05425327	1	Carriage Brand Plate (EMPISAL-KNITMASTER)	
	05515325	1	Carriage Brand Plate (SINGER)	
	05565320	1	Carriage Brand Plate (STUDIO)	
19	05313713	2	Set Lever Knob	
20	03036886	2	Binding Head Screw 3 × 3.5	

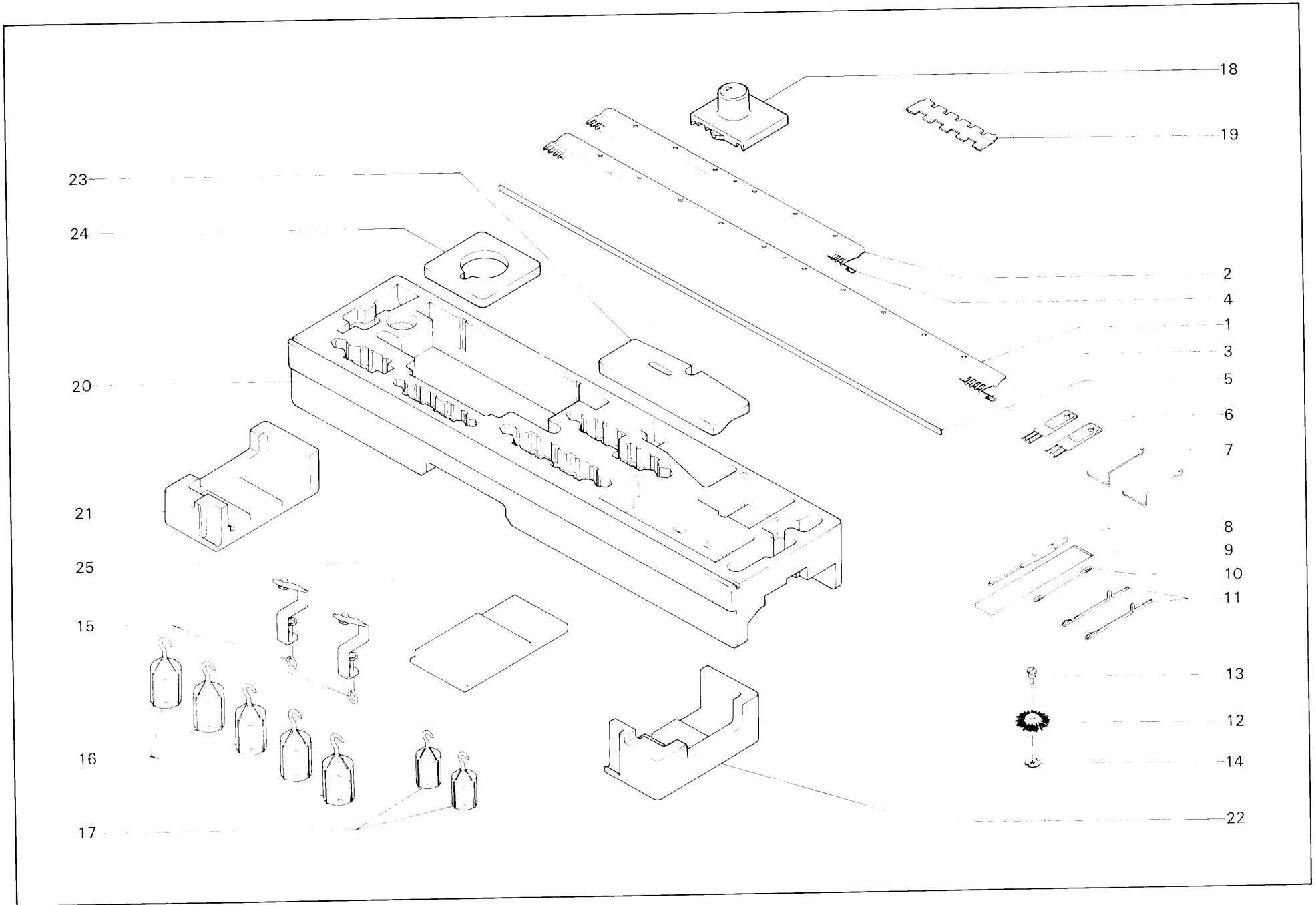
Ref. No.	Parts No.	Q'ty	Description	Unit Price
21	04930814	1	Binding Head STT Screw 3 · 5	
22	04860201	2	Binding Head Tapping Screw 2, 3 · 10	
23	08672115	1	E Snap Ring 4	
24	08662116	2	E Snap Ring 3	
25	04315313	2	Plain Washer 4 × 8 × 2.2	

ARM GROUP



Ref. No.	Parts No.	Qty	Description	Unit Price
0	06015325	1	Arm Unit (No.1—13)	
1	06025324	1	Arm	
2	06035315	1	Yarn Feeder	
3	06045314	1	Brush Holder A	
4	06145312	1	Clearing Brush A	
5	06045322	1	Brush Holder B	
6	06055321	1	Clearing Brush B	
7	06095319	1	Arm Magnet Cover	
8	02170363	1	Latch Magnet	
9	01415314	2	Binding Head Screw 3 × 4	
10	02511061	4	Spec. Truss Head Screw 3 × 6	
11	04183307	2	Flat Head Countersunk Screw 3 × 8	
12	06096002	8	Round Head Tapping Screw 2, 2.3 × 6	
13	05912159	conditional	Plain Washer 4.2 × 8 × 0.2	
	06125314	conditional	Plain Washer 4 × 8 × 0.6	
	04770814	conditional	Plain Washer 4.3 × 8 × 0.8	
	05522156	conditional	Plain Washer 4.2 × 8 × 1.0	

ACCESSORY GROUP



Ref. No.	Parts No.	Q'ty	Description	Unit Price
1	07015316	1	Cast-on Comb (Long)	
2	07025315	1	Cast-on Comb (Short)	
3	07035314	1	Cast-on Wire (Long)	
4	07045313	1	Cast-on Wire (Short)	
5	07065311	1	Close Knit Bar	
6	07283716	2	Hanger Comb	
7	07095441	2	Edge Weight Hook	
8	07123714	1	Hook Tool	
○	07005317	1	Spare Needle Set (No.9—11)	
9	08222119	1	Needle Envelope	
10	07055312	1	Double-eye Transfer Tool	
11	01166883	2	Latch Needle	
○	07175326	1	Ribber Tuck Brush (No.12—14)	
12	07185325	1	Tuck Brush	
13	07095318	1	Tuck Brush Screw	
14	07105315	1	Tuck Brush Washer	
15	07025323	2	Ribber Clamp	
16	07074008	5	Ribber Weight (Large)	
17	07094006	2	Ribber Weight (Small)	
18	07045321	1	P Carriage	
19	07085319	1	Needle Pusher (2/1—2/2)	
20	07135320	1	Accessory Container	
21	07155328	1	End Pad (R)	
22	07165327	1	End Pad (L)	
23	07145329	1	Arm Packing	

Ref. No.	Parts No.	Q'ty	Description	Unit Price
24	07235310	1	Carriage Packing	
25	07225311	1	Bottom Pad	
○	07315328	1	Instruction Book	
○	07325327	1	Punch Card Set (Card No.1R—5R)	

MEMO