

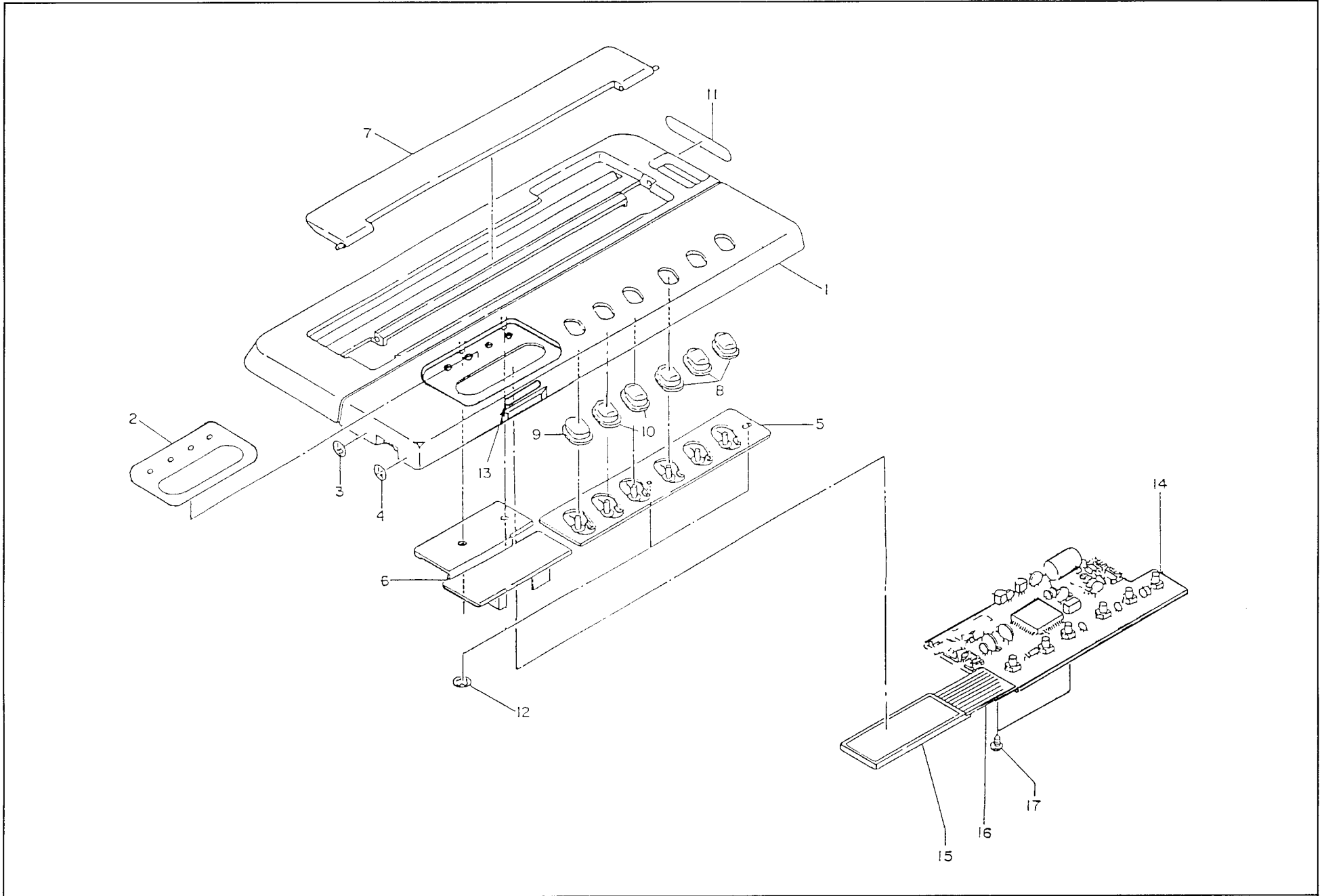
PARTS CATALOGUE

FOR

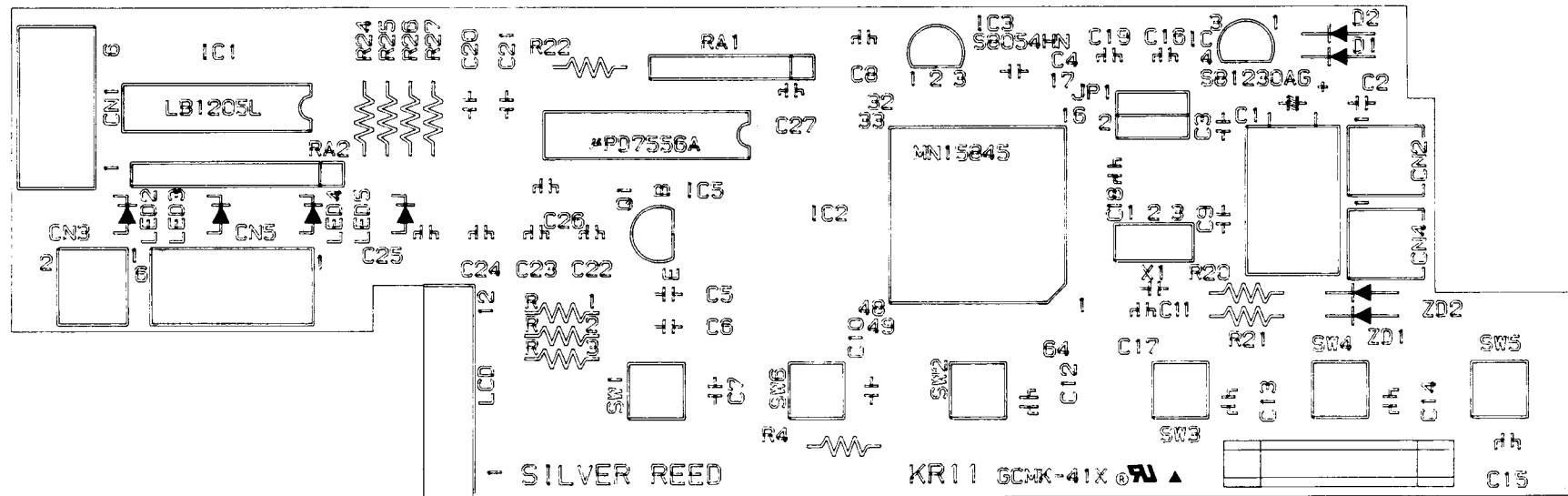
ELECTRONIC KNIT CONTOUR

KR11

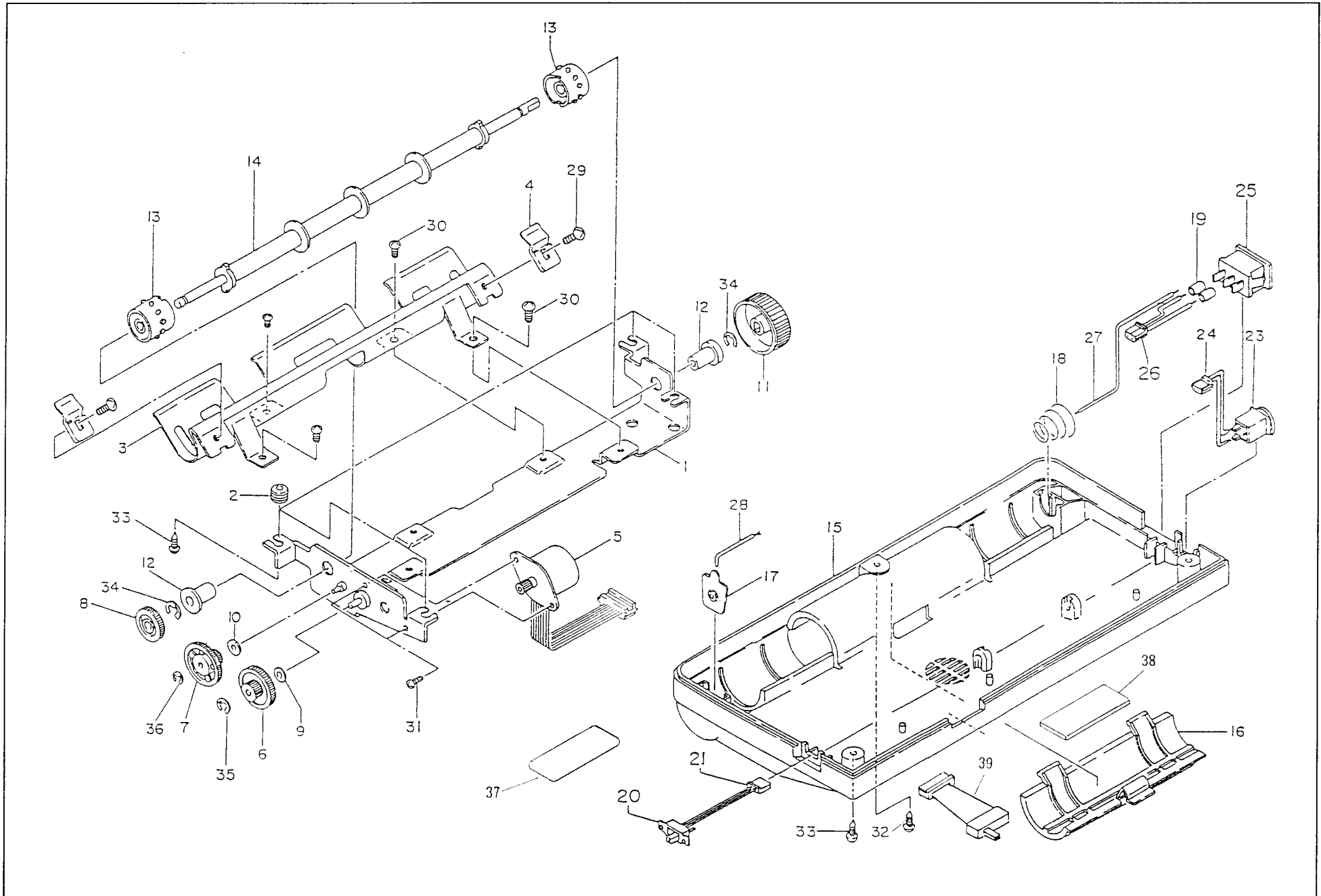
KNIT CONTOUR GROUP (A)



LKR BOARD UNIT



KNIT CONTOUR GROUP (B)/ACCESSORY GROUP



Ref. No.	Parts No.	Q'ty	Description	Unit Price
○	12433264	1	KR Frame Unit No.1	
1	12416129	1	KR Frame Unit No.2	
2	12416160	4	Antivibration Bush	
3	12416186	1	Card Guide	
4	12416194	2	Scale Holder	
5	12433256	1	Stepping Motor Unit (w/Gear A)	
6	12416228	1	Gear B	
7	12416236	1	Gear C	
8	12416244	1	Gear D	
9	12417374	condi- tional	Gear B Spacer A (t = 0.13)	
○	12417432	condi- tional	Gear B Spacer B (t = 0.25)	
10	12417382	condi- tional	Gear C Spacer A (t = 0.13)	
○	12417440	condi- tional	Gear C Spacer B (t = 0.25)	
11	12416251	1	Feeding Dial	
12	12416269	2	Bush	
13	12416277	2	Sprocket Wheel	
14	12416285	1	Card Roller	
15	12487245	1	Bottom Cover	
16	12416335	1	Battery Cover	
17	12416343	1	Battery Plate (+)	
18	12416350	1	Battery Spring (-)	
19	00177709	2	Tube ϕ 4	
○	12433546	1	Selector Switch Unit (No.20 ~ 21)	
20	12433553	1	Selector Switch	
21	12433561	1	2P Connector Unit 3	
22				
○	12416954	1	Pin Jack Unit (No.23 ~ 24)	
23	12416962	1	Pin Jack 1	

Ref. No.	Parts No.	Q'ty	Description	Unit Price
24	12416996	1	2P Connector Unit 1	
○	12433306	1	Battery Cord Unit (No.17 ~ 19, 25 ~ 28)	
25	12433322	1	Power Switch	
26	12433314	1	2P Connector Unit 2	
27	12417002	1	Battery Cord 1 (Black)	
28	12417010	1	Battery Cord 2 (Red)	
29	08521205	2	+ Pan Head Screw 2.6 \times 4	
30	03036886	4	+ Binding Head Screw 3 \times 3.5	
31	03880614	2	+ Binding Head Screw 2 \times 4	
32	33105834	1	+ Binding Head BTT Screw 3 \times 6	
33	01040419	6	+ Binding Head Tapping Screw 2, 3 \times 8	
34	08662116	2	E Snap Ring 3	
35	03910619	1	E Snap Ring 2	
36	48809008	1	E Snap Ring 1.5	
37	12487286	1	Machine No. Seal	
38	12433827	1	Battery Packing	
39	12481834	1	Sliding Switch Unit	
—	12481842	1	Sliding Switch	
—	12481859	1	6P Connector Unit 5	
○	12440244	1	Pattern Paper Set	
○	12440335	1	Scale Set	
○	12487328	1	Instruction Book	
○	12417283	4	Dry Cell (Size C)	
○	12433579	1	Plug Unit	
○	12433645	1	Plastic Bag 150 \times 350 \times 0.03	
○	12487336	1	Inner Carton	
○	12433421	1	End Pad (R)	
○	12433439	1	End Pad (L)	