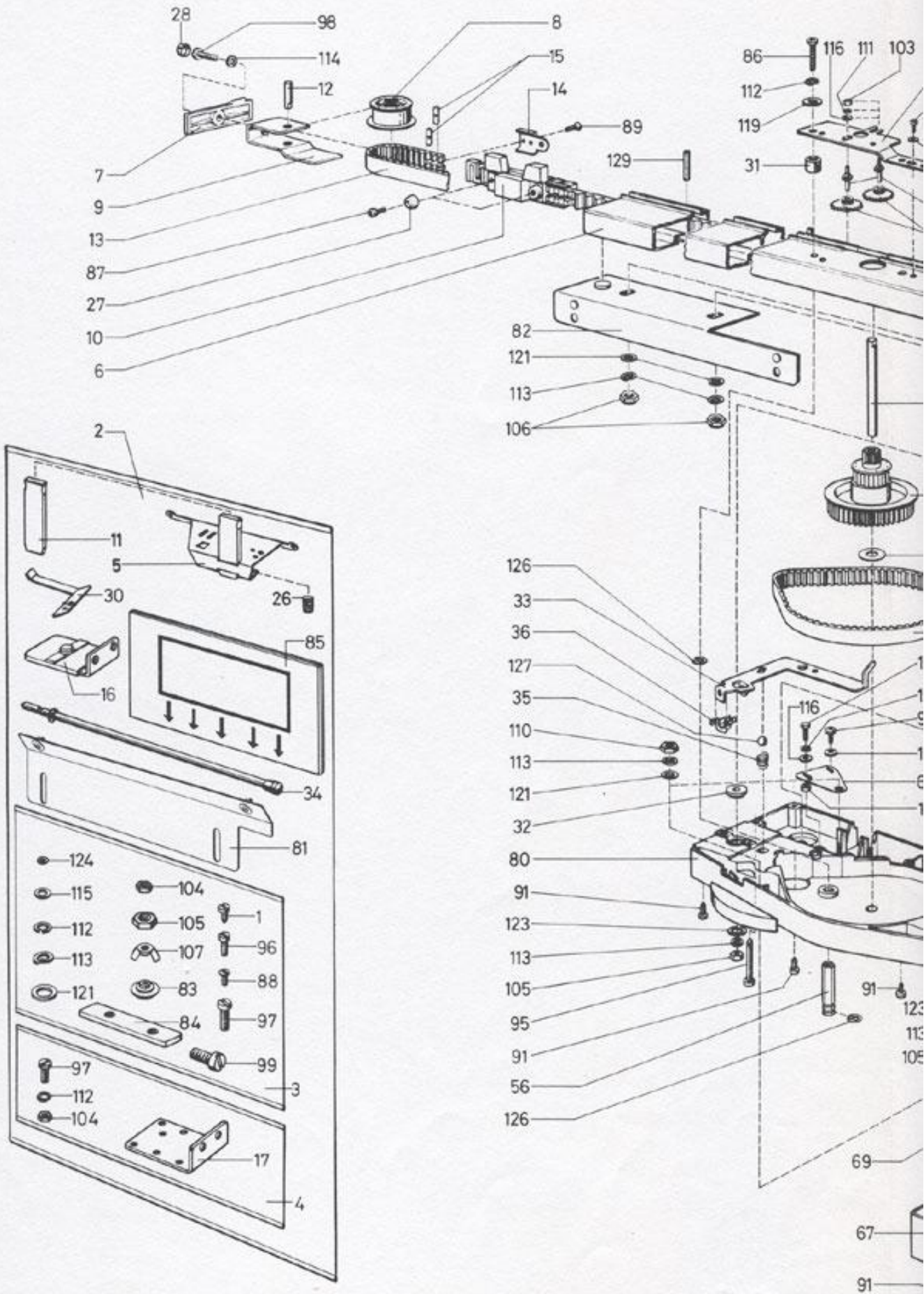


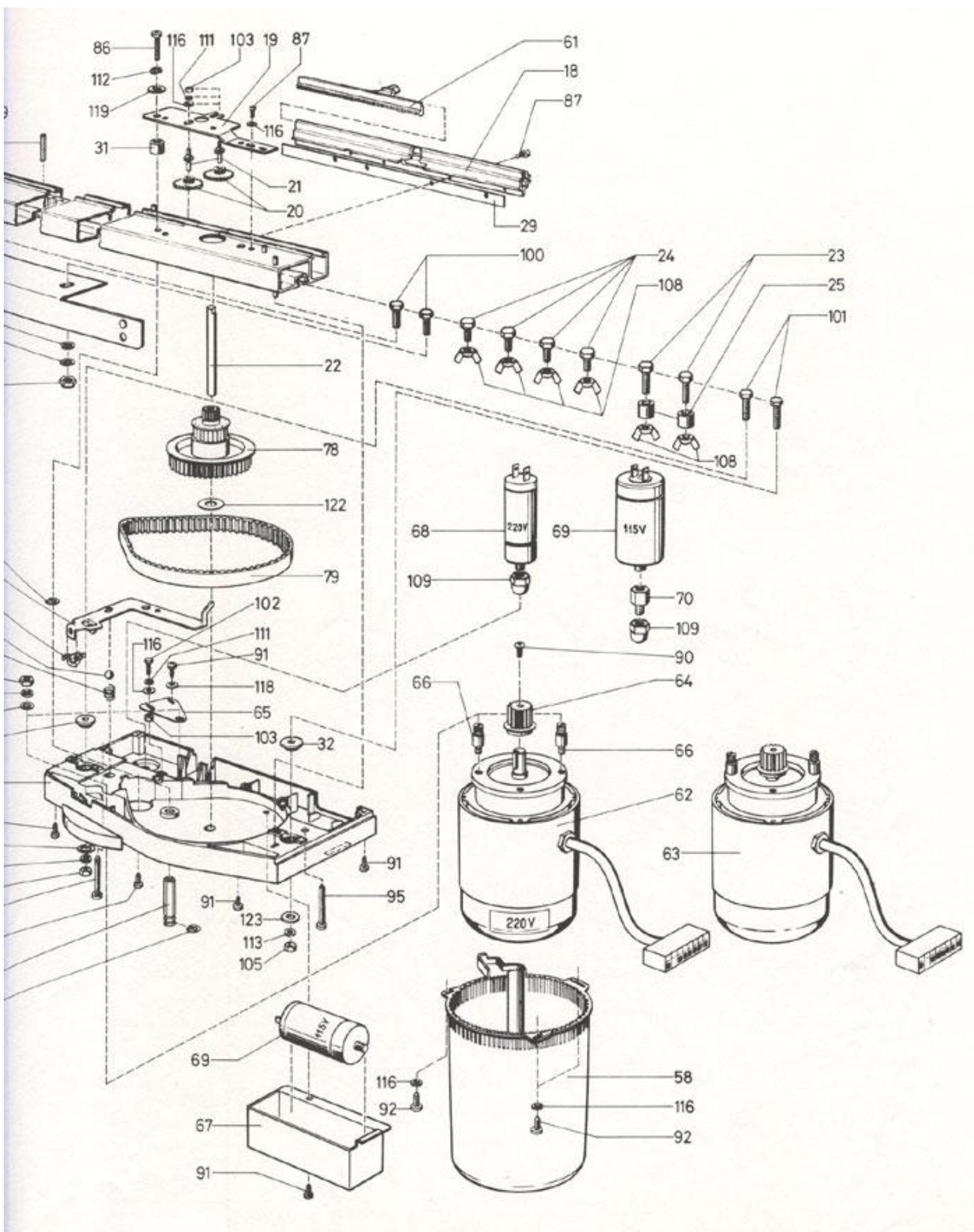
PHOTOSTÜCKLISTE

LISTE ILLUSTRÉE

ILLUSTRATED LIST

LISTA ILUSTRADA

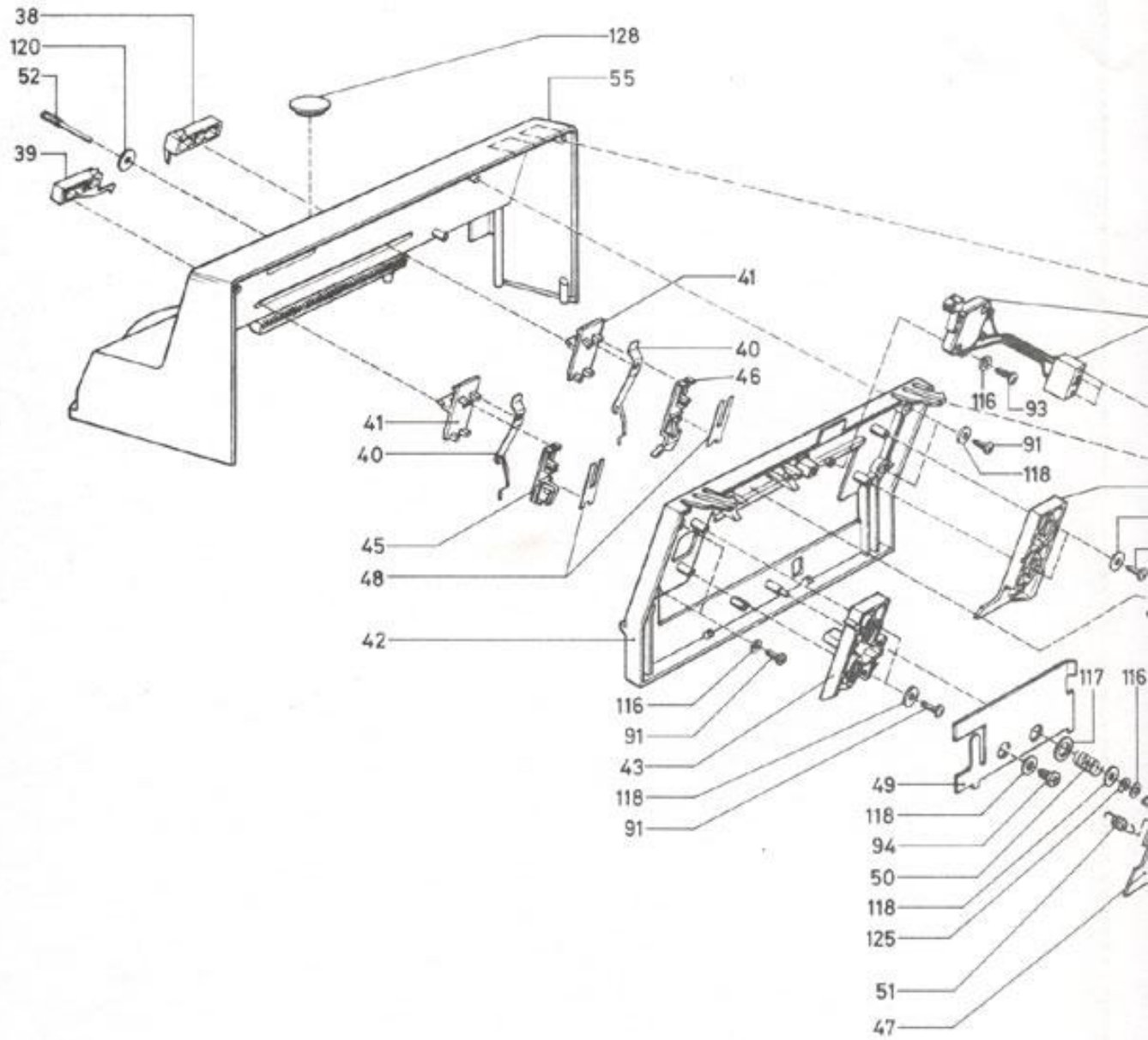


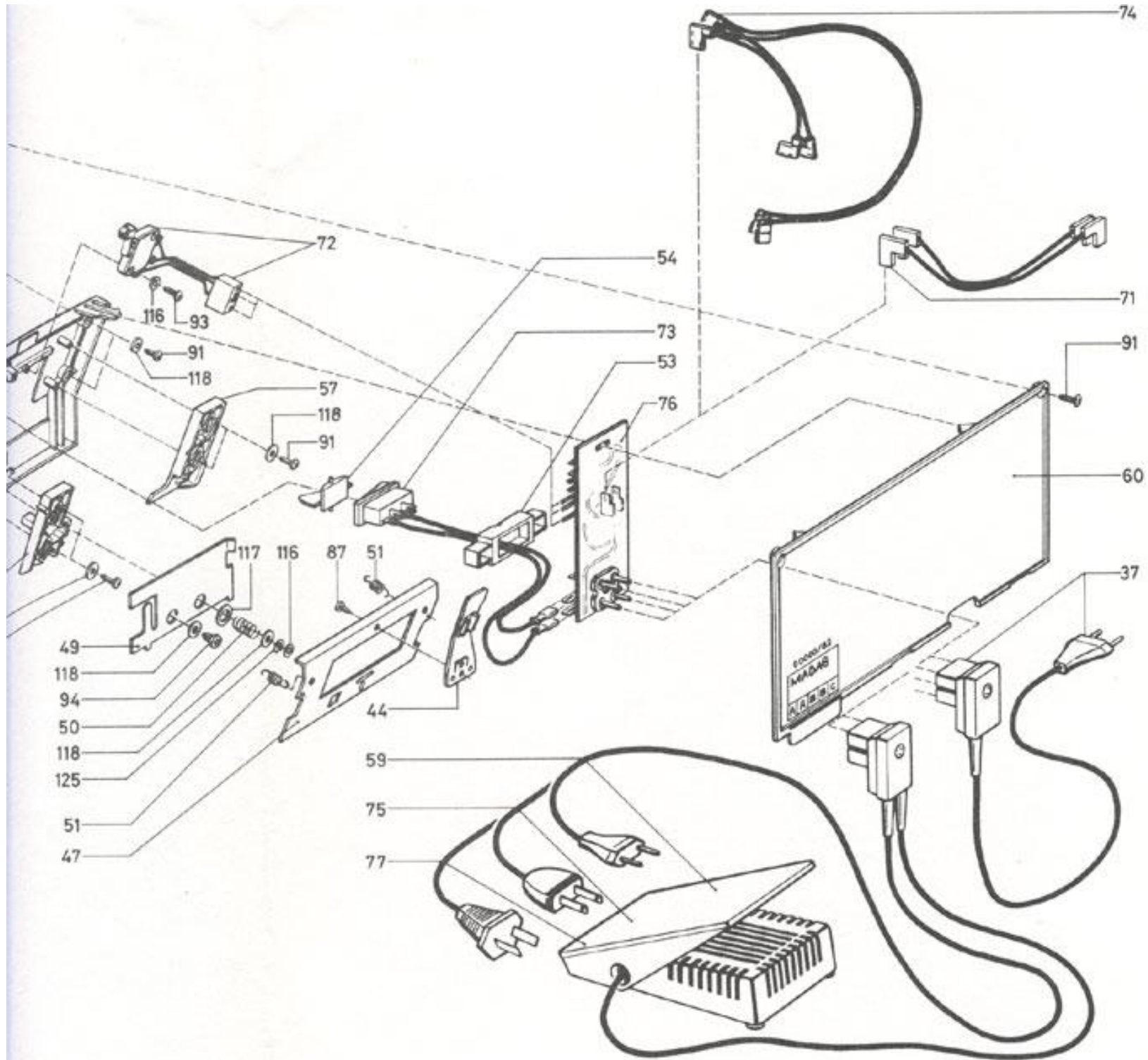


LISTE ILLUSTRÉE

ILLUSTRATED LIST

LISTA ILUSTRADA



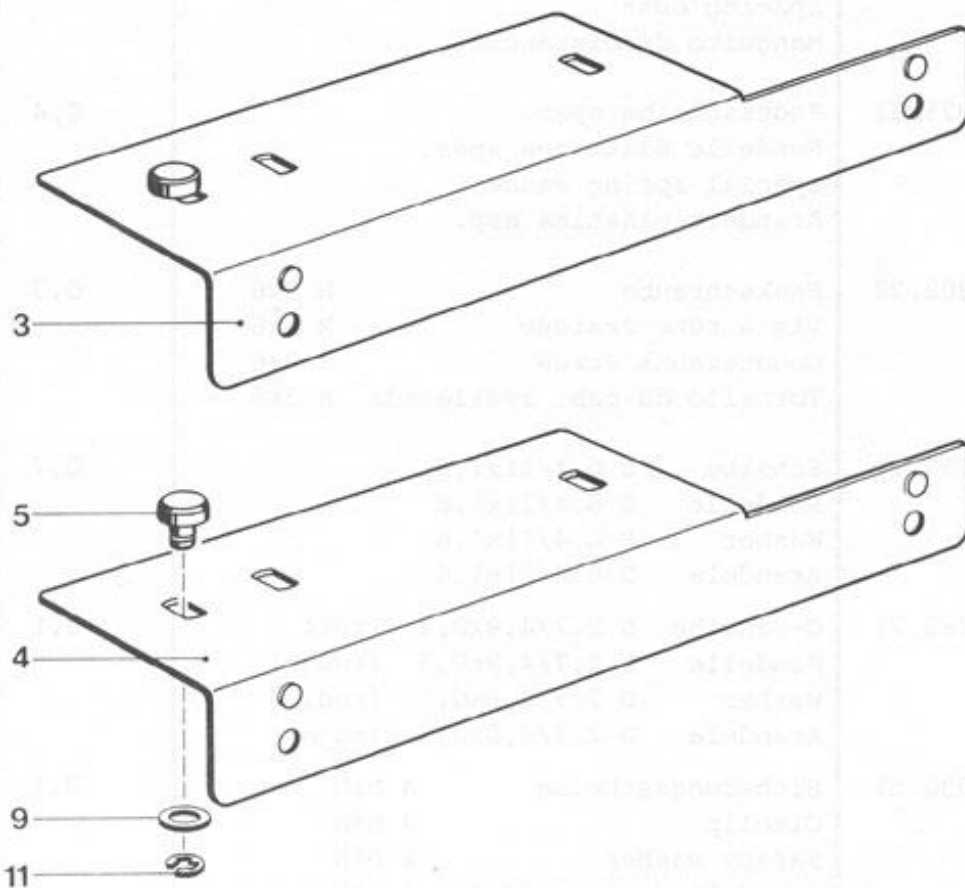
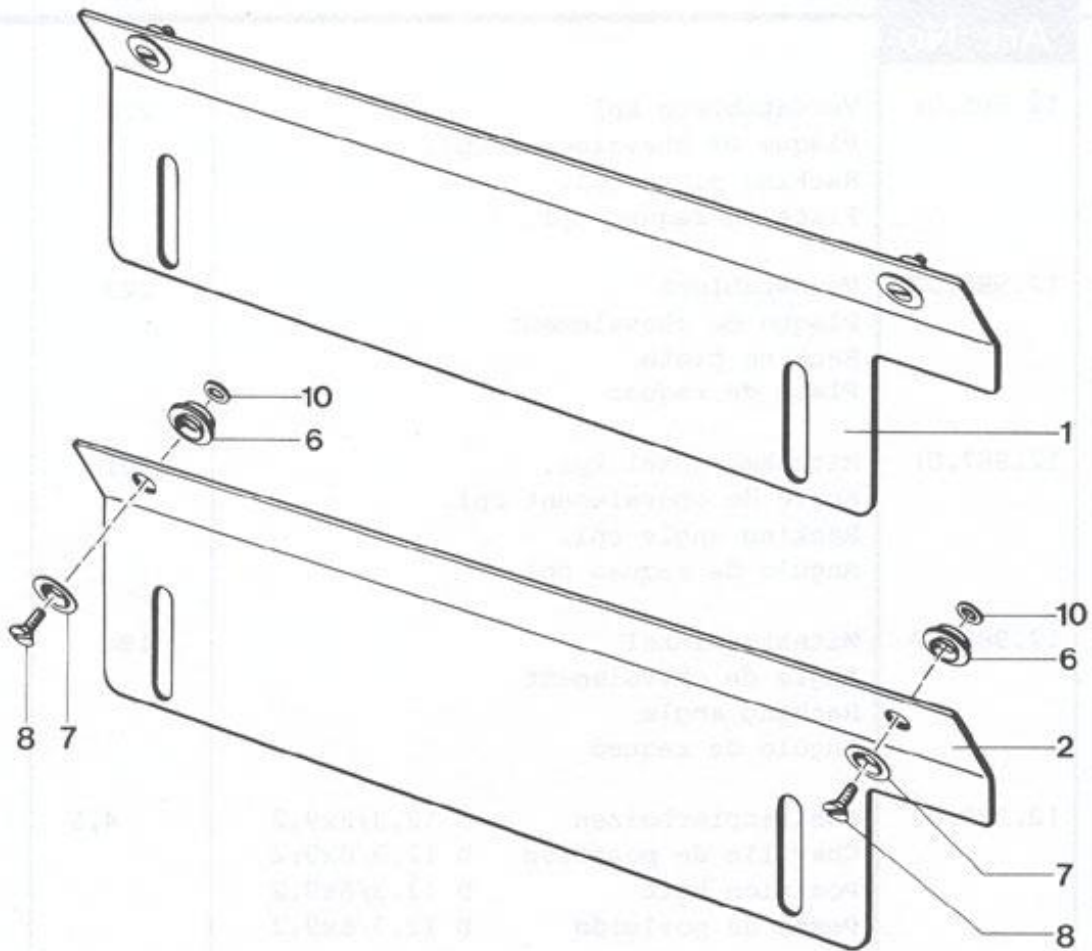


Picture #	Article #	Name
	12.800.10	M-Electra 3000A 220V/50HZ, packed
	12.810.10	M-Electra 3000A 115V/60HZ, packed
1	12.309.02	Cylinder Screw M 3x6,5 ZN
2	12.510.20	M-Accessories E-3000A
3	12.511.11	VM Connecting Parts RT-63/RT-80/DM
4	12.512.01	VM Fastening parts RT-80
5	12.514.12	Driver for cam box
6	12.519.13	Main Carrier
7	12.521.02	Cover for Main Carrier
8	12.524.03	Tension Wheel
9	12.526.03	Fork
10	12.527.02	Clutch
11	12.528.02	Slider for 12.514.12
12	12.529.02	Axle D 6x29
13	12.530.02	Toothed belt, large
14	12.531.02	Connecting Part
15	12.532.02	Clamp part M3
16	12.535.13	Angular Bracket
17	12.536.02	Angle Plate RT-80
18	12.540.02	Guide Rail
19	12.542.02	Supporting plate modified
20	12.543.02	Intermediate wheel
21	12.544.02	Shoulder axle M 3x16,6
22	12.549.02	Main axle D 8x68,5
23	12.551.02	Spec. hexagon screw M 4x20
24	12.552.02	Spec hexagon screw M 4x10
25	12.553.02	Distance Tube D 5/13x11
26	12.554.02	Pressure spring D 6,7x8
27	12.556.02	Felt washer D 2,5/16x7,5
28	12.557.02	Circular Cover D 12
29	12.558.02	Intermediary plate 289/11x1
30	12.559.03	Ratchet lever for FORMA
31	12.563.02	Distance tube D 5/10x10
32	12.602.02	Spec. washer D 6,2/20x5,8
33	12.603.02	Switch lever
34	12.607.02	Control bar
35	12.608.02	Pressure Spring D 6,5x9,5
36	12.611.02	Holder for control bar 12.607.02

37	12.680.03	Current supply cable
38	12.702.02	Slide knob, left
39	12.703.02	Slide knob, right
40	12.704.02	Stop spring
41	12.705.02	Slider
42	12.749.13	Intermediate part
43	12.751.12	Auxiliary stop, right
44	12.753.12	Guide Part
45	12.754.02	Stop, right
46	12.755.02	Stop, left
47	12.756.02	Commanding bearer
48	12.757.02	Leaf spring
49	12.758.02	Came plate
50	12.760.02	Pressure spring D 9x16,5
51	12.761.02	Tension spring D 6x9,5
52	12.764.02	Transport screw M2,5x28
53	12.820.02	Spacing Piece
54	12.821.02	Control lever
55	12.822.12	Casing upper part E 3000A
56	12.823.02	Support - hexagon 6x42, M4
57	12.824.02	Auxiliary stop, left
58	12.827.02	Cover for motor
59	12.830.03	Foot controller E-3000 110V-220V
	12.832.02	Date Plate E-3000 220V/50 Hz
60	12.833.03	Covering plate 220V
60	12.836.03	Covering plate 115V
	12.835.02	Data Plate E-3000 115V/60Hz
61	12.839.02	Rack rod E-3000
62	12.840.12	Motor 220V/50Hz without pinion E-3000 and A
63	12.870.11	VM Motor 220V/50Hz E-3000 and A
63	12.842.11	VM Motor 115V/60Hz E-3000 and A
64	12.843.02	Pinion for motor 220V, E-3000
65	12.847.02	Tightener plate
66	12.848.02	Grub screw M5/M6 spec. x28.4
67	12.849.02	Covering hood for 115V
68	12.850.02	Operating condenser 220V/16MF
69	12.851.02	Operating condenser 115V/25MF
70	12.852.02	Spacer - hexagon M8
71	12.853.02	E1 - Cable for condenser 220V

72	12.854.02	Micro switch cpl. E-3000
73	12.855.02	Tipping switch cpl.
74	12.856.02	E1 - Cable for condenser 115V
75	12.857.03	Foot controller E03000 for USA/CDN
76	12.860.13	Print cpl. E-3000 and A
	12.879.01	VM Packing E-3000
77	12.970.03	Foot controller E-3000 for Australia
78	12.975.03	Drive wheel Orange E-3000
79	12.980.02	Toothed belt small E-3000 220V
79	12.981.02	Toothed belt small E-3000 115V
80	12.983.02	Casing lower part E-3000A
81	12.985.01	Racking plate cpl.
82	12.987.01	Racking angle cpl
83	12.990.02	Special nut M3
84	12.991.02	Fixing plate M4 49/10 x 3
85	12.993.02	Assembling cardboard printed
	33.206.83	Instruction sheet E-3000
E-3000A	33.616.63	Assembly instructions. English
86	90.241.91	Lens head screw M4 x 25
87	90.247.17	Spec. lens head cyl. screw M3 x 10
88	90.302.22	Countersunk screw M3 x 6
89	90.327.07	Countersunk screw M3 x 6
90	90.328.22	Countersunk screw M3 x 8
91	90.331.67	Lens head sheet metal screw D-2, 9 x 9,5
92	90.331.87	Lens head sheet metal screw D-2, 9 x 16
93	90.331.97	Lens head sheet metal screw D-2, 9 x 19
94	90.332.47	Lens head sheet metal screw D-3, 5 x 6,5
95	90.335.47	Lens head sheet metal screw D-4, 2 x 45
96	90.412.32	Cylinder screw M3 x 8
97	90.413.61	Cylinder screw M 12
98	90.415.11	Cylinder screw M5 x 18
99	90.416.21	Cylinder screw M6 x 12
100	90.448.62	Hexagon screw M6 x 16
101	90.448.82	Hexagon screw M6 x 20
102	90.482.01	Hexagon screw M3 x 6
103	90.605.31	Hexagon nut M3
104	90.605.53	Hexagon nut M4
105	90.605.72	Hexagon nut M6 ZN
106	90.632.87	Sleeve nut M6

107	90.640.01	Wing nut M3
108	90.640.17	Wing nut M4
109	90.644.71	Cap nut M8 in plastic
110	90.649.97	Hexagon nut spec M6 x 0,75
111	90.700.31	Spring washer M3
112	90.700.51	Spring washer M4
113	90.700.71	Spring washer M6
114	90.705.51	Fan washer M5
115	90.711.23	Tension disc M3
116	90.750.31	Washer D 3,2/7 x 0,5
117	90.750.45	Washer D 7,4/17 x 0,8
118	90.752.77	Washer D 3,7/11 x 0,8
119	90.752.87	Washer D 4,3/12 x 1
120	90.755.17	Washer D 3,2/13 x 0,5
121	90.755.71	Washer D 6,4/11 x 1,6
122	90.764.11	Washer D 8/20 x 0,2
123	90.767.24	Distance Washer D 7,1/18 x 2,0
124	90.768.71	Washer D 2,7/4, 8 x 0,3 red
	90.872.49	Set pin D 4 x 20
125	91.030.41	Safety Washer 2,3 DIN
126	91.030.71	Safety washer 5 DIN
127	91.057.01	Steel ball D 8
128	92.824.31	Circular cover D 22
129	97.277.03	Tension pin D 3 x 26
	97.278.83	Tension pin D 4 x 40



Picture #	Article #	Name
1	12.985.01	Racking plate cpl.
2	12.986.02	Racking plate
3	12.987.01	Racking angle cpl.
4	12.988.02	Racking angle
5	12.989.02	Position bolt D 12,3/6 x 9,2
6	16.823.02	Spacing bush
7	16.825.02	Special spring washer
8	90.302.22	Countersunk screw M 3 x 6
9	90.755.71	Washer D 6,4/11 x 1,6
10	90.768.71	Washer D 2,7/4,8 x 0,3
11	91.030.61	Safety clip 4 DIN

Operating instructions for electra 3000 with ACCESSORY-I (Negative counter)

Operating parts:

1. a) Regulator for knitting width (1+2): Operation is the same as without ACCESSORY-I.
 - b) Flip switch (3): Also with ACCESSORY-I the electra is switched on or off by the flip switch.
(I = switch on)
(0 = switch off)
 - c) Foot pedal: If you use the foot pedal, the flip switch (3) must always be at 0! If possible, always use the foot pedal!
 - d) COLOR-lever (4): Operation exactly the same as without ACCESSORY-I.
 - e) Direction indicator (5): Same function as without ACCESSORY-I.
 - f) When the green key is switched off (no light), this means that all functions of ACCESSORY are switched off! Electra 3000 works and has to be attended as if there was no built-in ACCESSORY.
2. Negative counter (6):
 - a) This serves to count backwards (negative) according to the given number and to stop automatically upon reaching 0000 the cam boxes outside of the knitting. The cam-boxes stop at the right edge of the knitting when an even number (for instance 20) is set on the negative counter and at the same time the cam-boxes are on the right of the negative counter.
 - b) The colour change cannot be pre-programmed with the negative counter. The colour change has to be made by hand by changing over the COLOR-lever (4).
 - c) By pressing the small red button (7) on the negative counter, each individual figure can be set independently.
3. Yarn control (8):
 - a) The yarn control stops the motor (cam boxes) immediately when the yarn is finished or broken by releasing the contact.
 - b) The yarn control can also be released by an undesired contact between the tension arm (9) and the contact strap (10). In order to avoid this, unused tension arms should be put in the double front eyelet of the yarn tensioner. If the yarn control is not used, the respective black plug at (B) behind the electra can also be taken off.
4. Green key (11): (Main switch for the ACCESSORY)
 - a) By pressing the green key all ACCESSORY-functions are switched on or off.
 - b) Lighted key means that the ACCESSORY is ready for work. That means that the electra is going to work when switched on (flip switch or foot pedal) according to the number set previously on the negative counter. Upon indication 0000 on the negative counter the cam-boxes are automatically stopped outside of the knitting.

- c) Key not lighted means that all ACCESSORY-functions are switched off, according to point 1 f).

Important: Whenever the green key is switched on (lighted), it may never be switched off while running on a set programme. Except the electra is also switched off before, set flip switch (3) to 0, release foot pedal! Since otherwise the cam-boxes start moving according to the situation. As in this case the electra still switched on will immediately take over the control.

5. Red key (12): (Failure key)

- a) When the red key lights up, this signifies a failure, and the motor is stopped. It can only be continued working after eliminating the failure, then the red key has to be pressed and there will be no light any more!
- b) Eliminate failure in the following order: 1. Find and eliminate failure.
2. Press red key, whereby the green key must be lighted.
- c) The red key lights up in the following situations:
- negative counter shows 0000: a new number has to be set on the negative counter, then press red key.
 - 1 yarn thread has broken: fasten thread, then press red key.
 - yarn supply is at end: take new bobbin or ball and fasten thread, then press red key.
 - yarn control (contact) has been released unwillingly, i.e. there is actually no failure: Press red key only.
6. Before starting knitting with electra and ACCESSORY as well as colour changer, operation has to be trained sufficiently (without yarn and without feeding eyelets) by means of the service instructions. Also with simulation of failures.

7. Sequence of working procedure for ACCESSORY-I:

- a) Check plugs at the back of electra: - white plug in (A)
- 2 black plugs in (B)
- b) Set regulator left and right (1+2) for knitting width.
- c) Thread yarn, according to operating instructions of knitting machine and of COLOR, provided the latter has been assembled in the place of a special two-colour changer.
- d) Set the desired number of rows. If thereby the cam-boxes are to the right of the negative counter and an even number of rows (for instance 20) is set, the cam-boxes will stop at indication 0000, on the right edge of the knitting. When setting an uneven number (for instance 21) the cam-boxes will stop on the left edge of the knitting.
- e) Set row counter on cam-box front to 000. To check the total amount of knitted rows (up to max. 999) when the knitting piece is knitted in several stages by means of the negative counter.
- f) Check position of COLOR-lever (4).

- g) Direction indicator (5) has to point in the desired starting direction for the cam boxes. The direction indicator may be switched over by hand, provided the cam-boxes are not moved at the same time. If thereby a resistance is noticed, the cam-boxes have to be moved slightly.
- h) Press green key (must light up), the red key may not be lighted. If the red key is lighted, it is impossible to start!
- j) Press the foot pedal or switch on flip switch (3).

