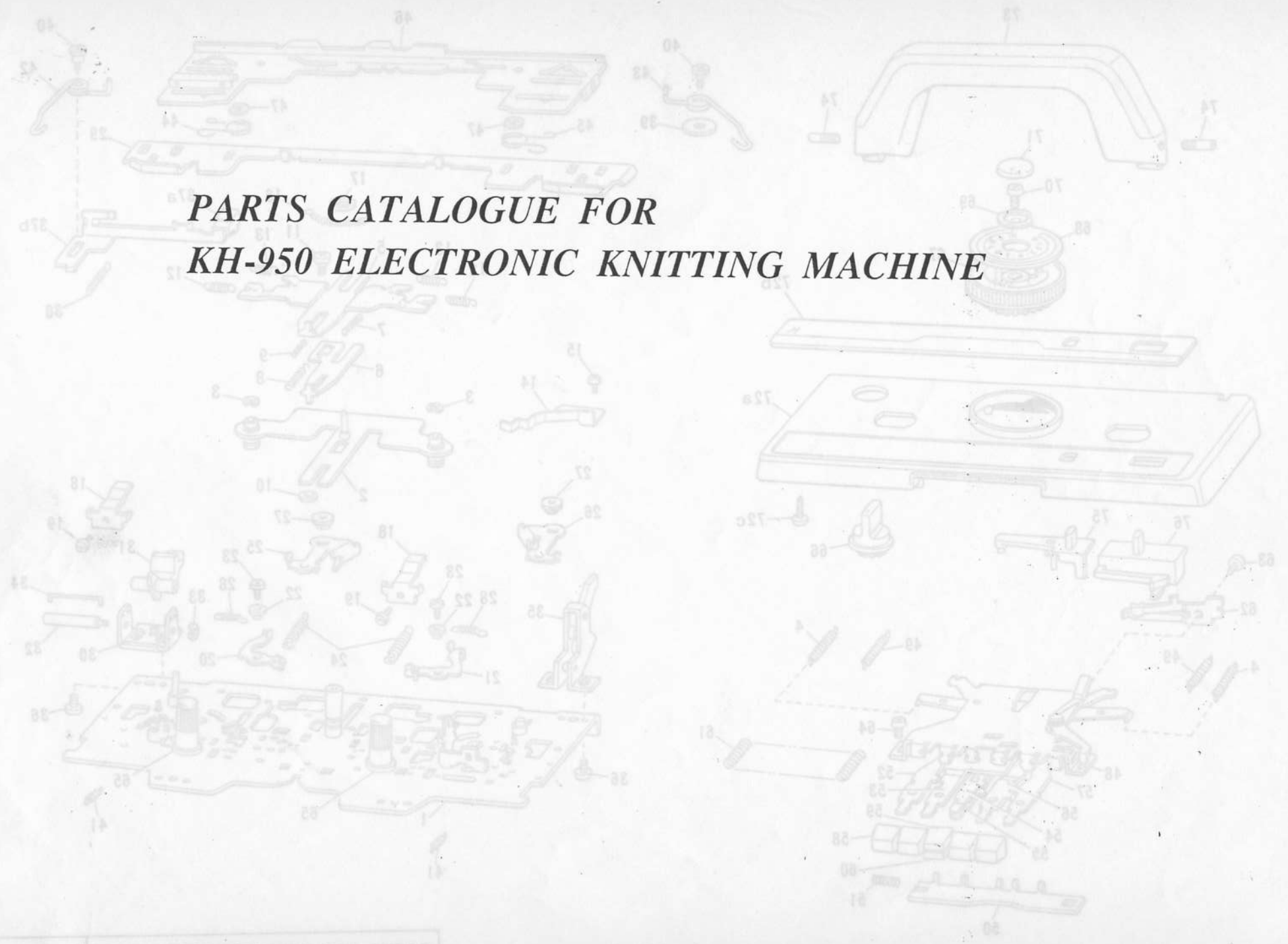
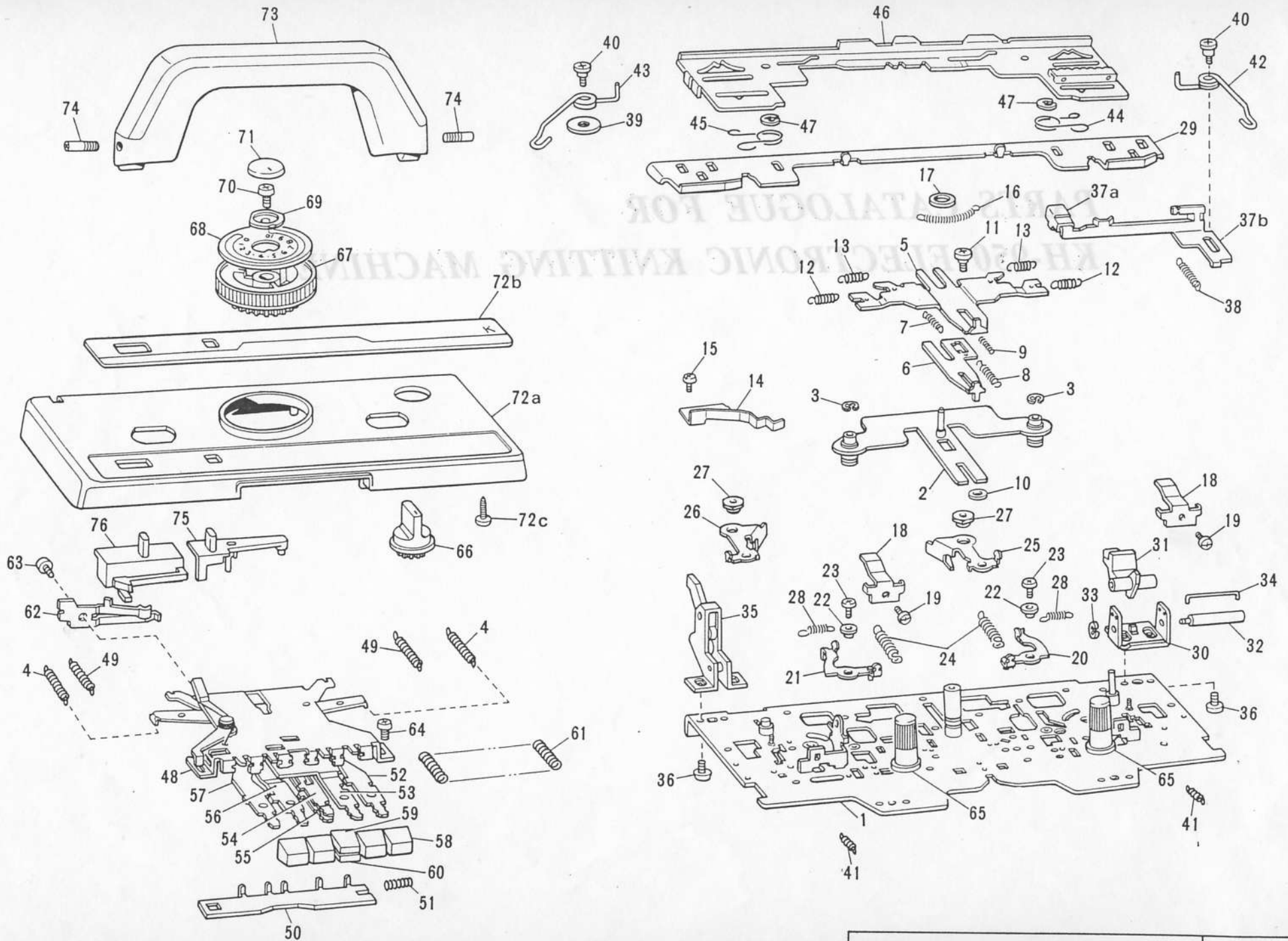


**PARTS CATALOGUE FOR
KH-950 ELECTRONIC KNITTING MACHINE**



PARTS FOR CARRIAGE UPPER PART FIG. A 1



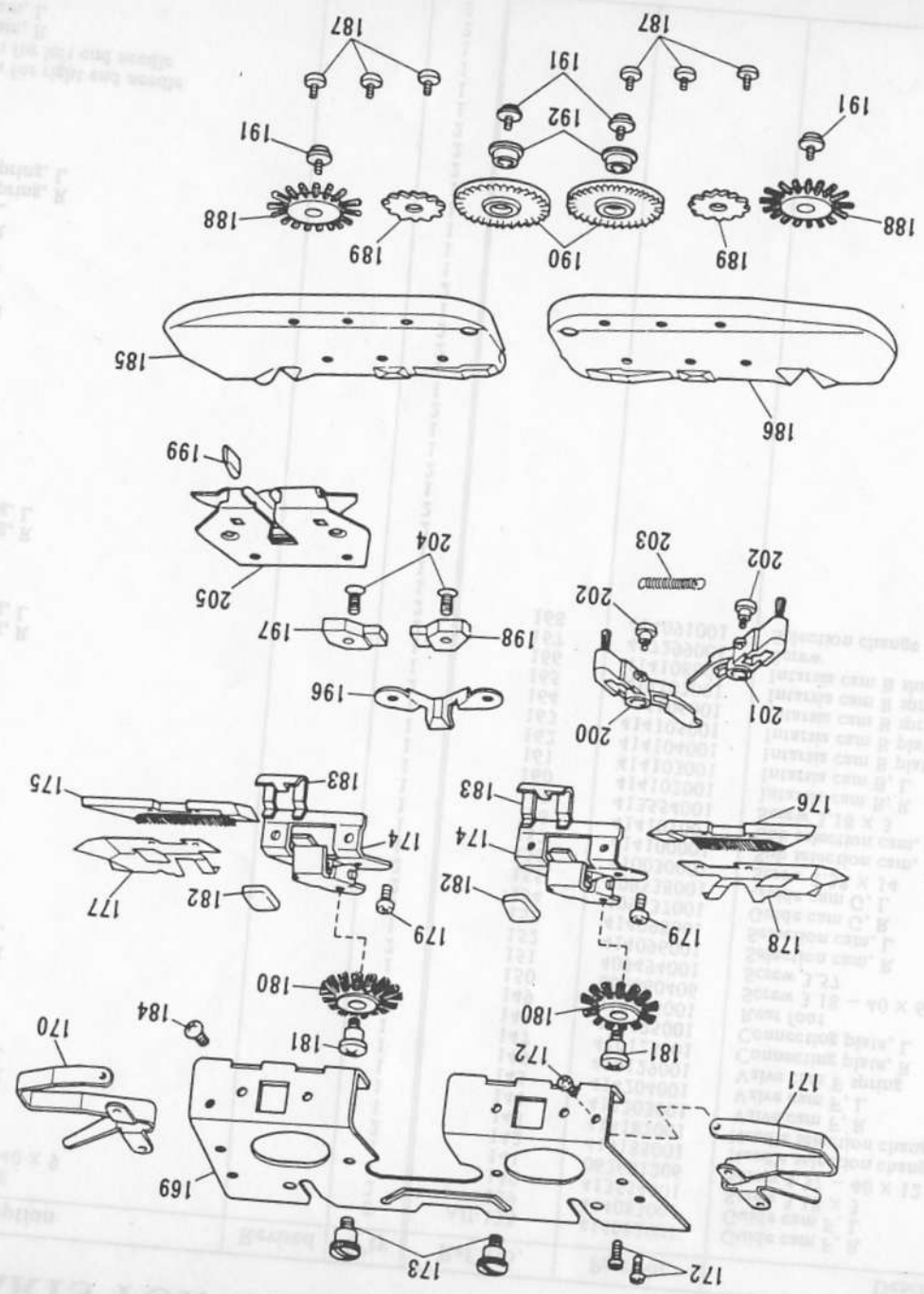
PARTS FOR CARRIAGE UPPER PART

Ref. No.	Part No.	Description	Revised	Q'ty	Ref. No.	Part No.	Description	Revised	Q'ty
AI-1-AII-204	414556001	K carriage complete set for KH950, BR		1	AI- 73	409605007	K carriage handle (White)		1
	415397001	K carriage complete set for KH950, USA		1	74	409608001	Screw		1
AI- 1	414011001	Carriage plate		1	75	413437001	Plain lever knob (White)		1
2	414022001	Stitch cam guide plate		2	76	414112001	H.C.L knob (White)		1
3	048030346	Snap ring 3		2					
4	407432001	Raising cam change spring		1					
5	414053000	Change plate A		1					
6	414054000	Change plate B		1					
7	414370001	Change plate A spring		1					
8	414252001	Change plate B spring		1					
9	413452001	Change plate spring		1					
10	414251001	Collar		1					
11	414025001	Change plate guide collar		1					
12	414241001	MC cam change spring		2					
13	414178001	MC cam spring A		2					
14	414065001	Fromt slide plate spring		1					
15	060660406	+ - Screw 3.18 - 40 X 4		1					
16	414069001	Tuck cam spring		1					
17	414180001	Presser ring		1					
18	414084001	Handle lock spring		2					
19	062670406	Screw 3.57 - 40 X 4		2					
20	414014001	Intarsia lever, R		1					
21	414017001	Intarsia lever, L		1					
22	414019001	Intarsia lever collar		2					
23	060660406	Screw 3.18 - 40 X 4		2					
24	414090001	Intarsia lever spring		2					
25	414092001	Intarsia cam A, R		1					
26	414093001	Intarsia cam A, L		1					
27	414094001	Nut		2					
28	414095001	Intarsia cam A spring		2					
29	409554001	Rear plate		1					
30-34	410130001	Row counter tripper		1					
35	410132001	Knit leader tripper		1					
36	060660406	Screw 3.18 - 40 X 4		4					
37	410141003	K carriage sensor magnet assembly		1					
38	412131001	Shift spring for K carriage sensor		1					
39	025050335	Washer		1					
40	410146001	Shaft for K carriage sensor magnet		2					
41	410135001	End needle selection cam spring		2					
42	414189001	Needle selection change spring, R		1					
43	414190001	Needle selection change spring, L		1					
44	409543001	Connecting plate spring, R		1					
45	409544001	Connecting plate spring, L		1					
46	410138001	Upper slide plate		1					
47	048040346	Snap ring		2					
48-62	414113001	Cam button unit		1					
63	060660406	Screw 3.18 - 40 X 4		1					
64	060670406	Screw 3.57 - 40 X 4		2					
65	409596003	Thumb nut		2					
66	409597006	Change knob		1					
67	409599003	Stitch dial		1					
68	414174001	Stitch dial indicator plate, BR		1					
	414174004	Stitch dial indicator plate, USA		1					
69	406283001	Stitch dial presser		1					
70	060660606	Screw 3.18 - 40 X 6		1					
71	409601005	Stitch dial cap		1					
72a-b	414559001	K carriage cover assembly for KH950, BR		1					
	415398001	K carriage cover assembly for KH950, USA		1					
72b	414560001	Carriage cover decoration plate for KH950, BR		1					
	415399001	Carriage cover decoration plate for KH950, USA		1					
72c	037351615	Screw 3.5 X 16		2					

PARTS FOR CARRIAGE LOWER PART

Ref. No.	Part No.	Description	Revised	Q'ty	Ref. No.	Part No.	Description	Revised	Q'ty
All- 77	407285000	Carriage magnet 16 x 18		2	All-138	414082001	Guide cam F, R		1
78	408773006	Flat head screw 3.18 - 40 x 9		2	139	414083001	Guide cam F, L		1
79	414242001	Raising cam guide, R		1	140	413554001	Screw 3.18 x 3		4
80	414243001	Raising cam guide, L		1	141	062681206	Screw 4.37 - 40 x 12		2
81	048070346	Snap ring		2	142	414185001	Needle selection change cam, R		1
82	414026001	Stitch cam assembly, R		1	143	414187001	Needle selection change cam, L		1
83	414030001	Stitch cam assembly, L		1	144	414203001	Valve cam F, R		1
84	407296001	Sub stitch cam, R		1	145	414204001	Valve cam F, L		1
85	407297001	Sub stitch cam, L		1	146	410129001	Valve cam F spring		2
86	410488001	Valve cam D, R		1	147	410123001	Connecting plate, R		1
87	410489001	Valve cam D, L		1	148	410125001	Connecting plate, L		1
88	410490001	Valve cam D spring, R		1	149	414086001	Rear foot		1
89	410491001	Valve cam D spring, L		1	150	060660406	Screw 3.18 - 40 x 6		4
90	414245001	Sub stitch cam shaft		2	151	409494001	Screw 3.57		2
91	414032001	MC cam, R		1	152	414096001	Selection cam, R		1
92	414033001	MC cam, L		1	153	414098001	Selection cam, L		1
93	407312001	Screw		2	154	409537001	Guide cam G, R		1
94	021660306	Nut		2	155	409538001	Guide cam G, L		1
95	414034001	Slide cam		1	156	410030001	Screw 2.38 x 14		2
96	414035001	Slide cam guide		1	157	414100001	Sub selection cam, R		1
97a	414036001	Guide cam C		1	158	414101001	Sub selection cam, L		1
97b	414462000	Guide cam C spring		1	159	413554001	Screw 3.18 x 3		2
98	414041001	Guide cam B, R		1	160	414102001	Intarsia cam B, R		1
99	414045001	Guide cam B, L		1	161	414103001	Intarsia cam B, L		1
100	414176001	Valve cam B, R		1	162	414104001	Intarsia cam B plate, R		1
101	414177001	Valve cam B, L		1	163	414105001	Intarsia cam B plate, L		1
102	414050001	Valve cam B shaft		2	164	414106001	Intarsia cam B spring, R		1
103	414051001	Valve cam B spring, R		1	165	414107001	Intarsia cam B spring, L		1
104	414052001	Valve cam B spring, L		1	166	414108001	Intarsia cam B shaft		2
105	413554001	Screw 3.18 x 3		2	167	407299001	Screw		2
106	407299001	Screw		2	168	414091001	Selection change cam shaft		2
107	414055001	Guide cam A		1					
108	414194001	Change cam spring, R		1					
109	414195001	Change cam spring, L		1					
110	048025346	Snap ring		2					
111	413285001	Screw 3.18 x 4		2					
112	414172001	Front foot		1					
113	413554001	Screw 3.18 x 3		2					
114	414062001	Front slide plate		1					
115	414184001	Screw 3.18 x 4		1					
116	408504001	Screw 3.18		2					
117	414066001	Tuck cam, R		1					
118	414067001	Tuck cam, L		1					
119	414068001	Tuck cam, shaft		2					
120	414179001	Washer		2					
121	407340001	Tuck cam plate		1					
122	407299001	Screw		2					
123	414070001	Valve cam G, R		1					
124	414073001	Valve cam G, L		1					
125	414075001	Valve cam G spring, R		1					
126	414076001	Valve cam G spring, L		1					
127/128	414077001	Cam plate		1					
129	414049001	Screw		2					
130	025350233	Washer		2					
131	048020346	Snap ring		2					
132	409510001	Selection cam for right end needle		1					
133	409513001	Selection cam for left end needle		1					
134	414078001	Separation cam, R		1					
135	414080001	Separation cam, L		1					
136	410115001	Screw 3.18		2					
137	021660306	Nut 3.18 - 40		2					

PARTS FOR CARRIAGE

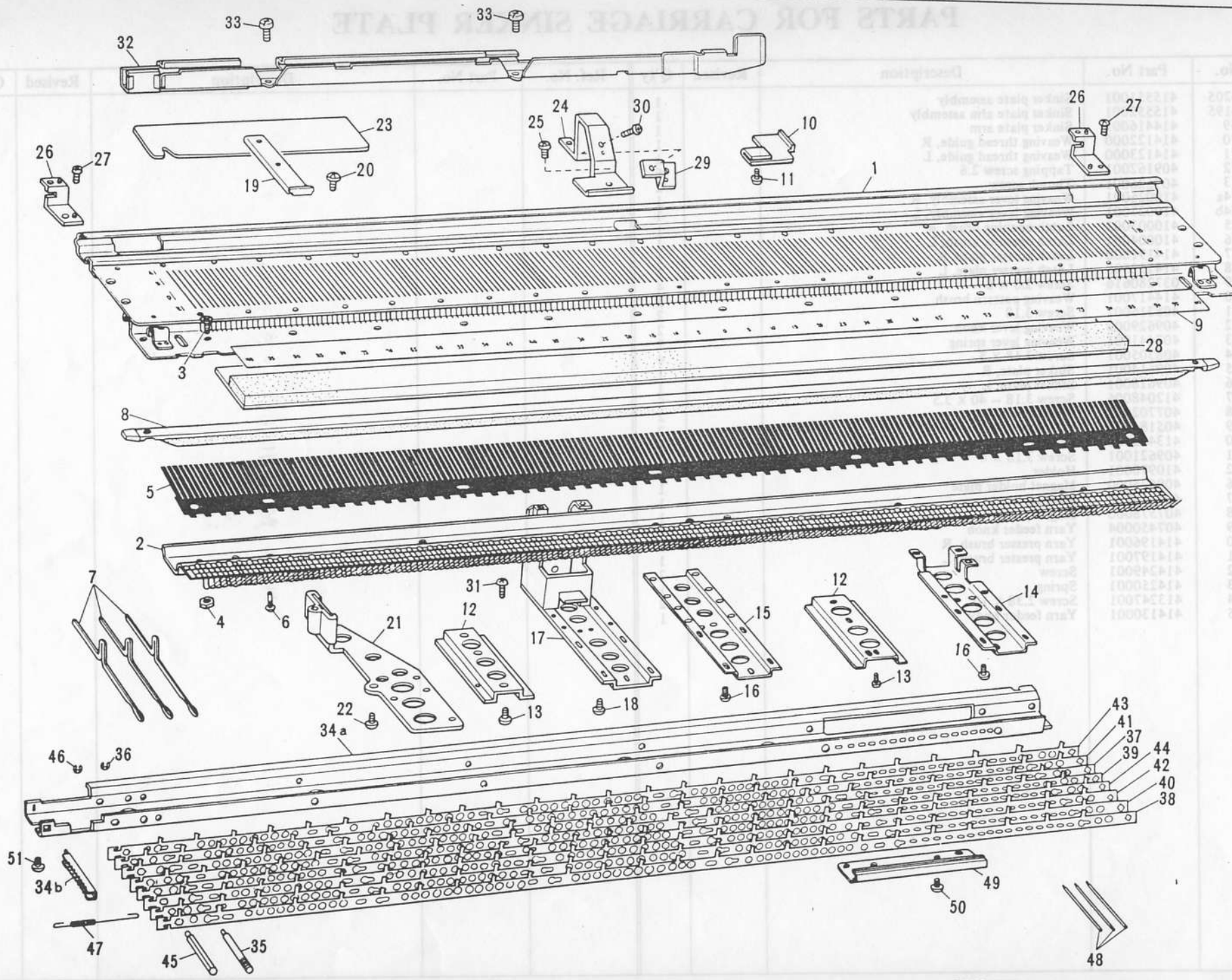


169	100011000
170	100011000
171	100011000
172	100011000
173	100011000
174	100011000
175	100011000
176	100011000
177	100011000
178	100011000
179	100011000
180	100011000
181	100011000
182	100011000
183	100011000
184	100011000
185	100011000
186	100011000
187	100011000
188	100011000
189	100011000
190	100011000
191	100011000
192	100011000
193	100011000
194	100011000
195	100011000
196	100011000
197	100011000
198	100011000
199	100011000
200	100011000
201	100011000
202	100011000
203	100011000
204	100011000
205	100011000

PARTS FOR CARRIAGE SINKER PLATE

Ref. No.	Part No.	Description	Revised	Q'ty	Ref. No.	Part No.	Description	Revised	Q'ty
AII-169-205	415551001	Sinker plate assembly		1					
169-195	415552001	Sinker plate arm assembly		1					
169	414416001	Sinker plate arm		1					
170	414122000	Weaving thread guide, R		1					
171	414123000	Weaving thread guide, L		1					
172	409162001	Tapping screw 2.6		6					
173	409626001	Thumb screw		2					
174a	410026001	Weaving lever assembly, R		1					
174b	410027001	Weaving lever assembly, L		1					
175	410003001	Latch opening brush, R		1					
176	410004001	Latch opening brush, L		1					
177	414191000	Latch presser plate, R		1					
178	414192000	Latch presser plate, L		1					
179	037280616	Screw 2.6 x 6		4					
180	414417001	Weaving pattern brush		2					
181	408316001	Screw 3.18		2					
182	409629003	Weaving lever knob		2					
183	407441001	Weaving lever spring		2					
184	408305001	Screw 3.18 x 5		4					
185	409614001	Sinker plate, R		1					
186	409618001	Sinker plate, L		1					
187	412048006	Screw 3.18 - 40 x 3.5		6					
188	407702001	Wheel brush		2					
189	405184002	Plastic gear		2					
190	413403001	Rubber wheel		2					
191	409621001	Screw 3.18 x 4		2					
192	410970001	Holder		2					
196	409625000	Magnet holder plate		1					
197	407454000	Magnet, R		1					
198	407578000	Magnet, L		1					
199	407450004	Yarn feeder knob		1					
200	414196001	Yarn presser brush, R		1					
201	414197001	Yarn presser brush, L		1					
202	414249001	Screw		2					
203	414250001	Spring		1					
204	413247001	Screw 2.38 x 10		2					
205	414130001	Yarn feeder body		1					

Part No.	Description	Part No.
41-150-202	Cartridge needle plate assembly	189
41-150-182	Cartridge needle plate	190
41-150-183	Cartridge needle plate	191
41-150-184	Cartridge needle plate	192
41-150-185	Cartridge needle plate	193
41-150-186	Cartridge needle plate	194
41-150-187	Cartridge needle plate	195
41-150-188	Cartridge needle plate	196
41-150-189	Cartridge needle plate	197
41-150-190	Cartridge needle plate	198
41-150-191	Cartridge needle plate	199
41-150-192	Cartridge needle plate	200
41-150-193	Cartridge needle plate	201
41-150-194	Cartridge needle plate	202
41-150-195	Cartridge needle plate	203
41-150-196	Cartridge needle plate	204
41-150-197	Cartridge needle plate	205

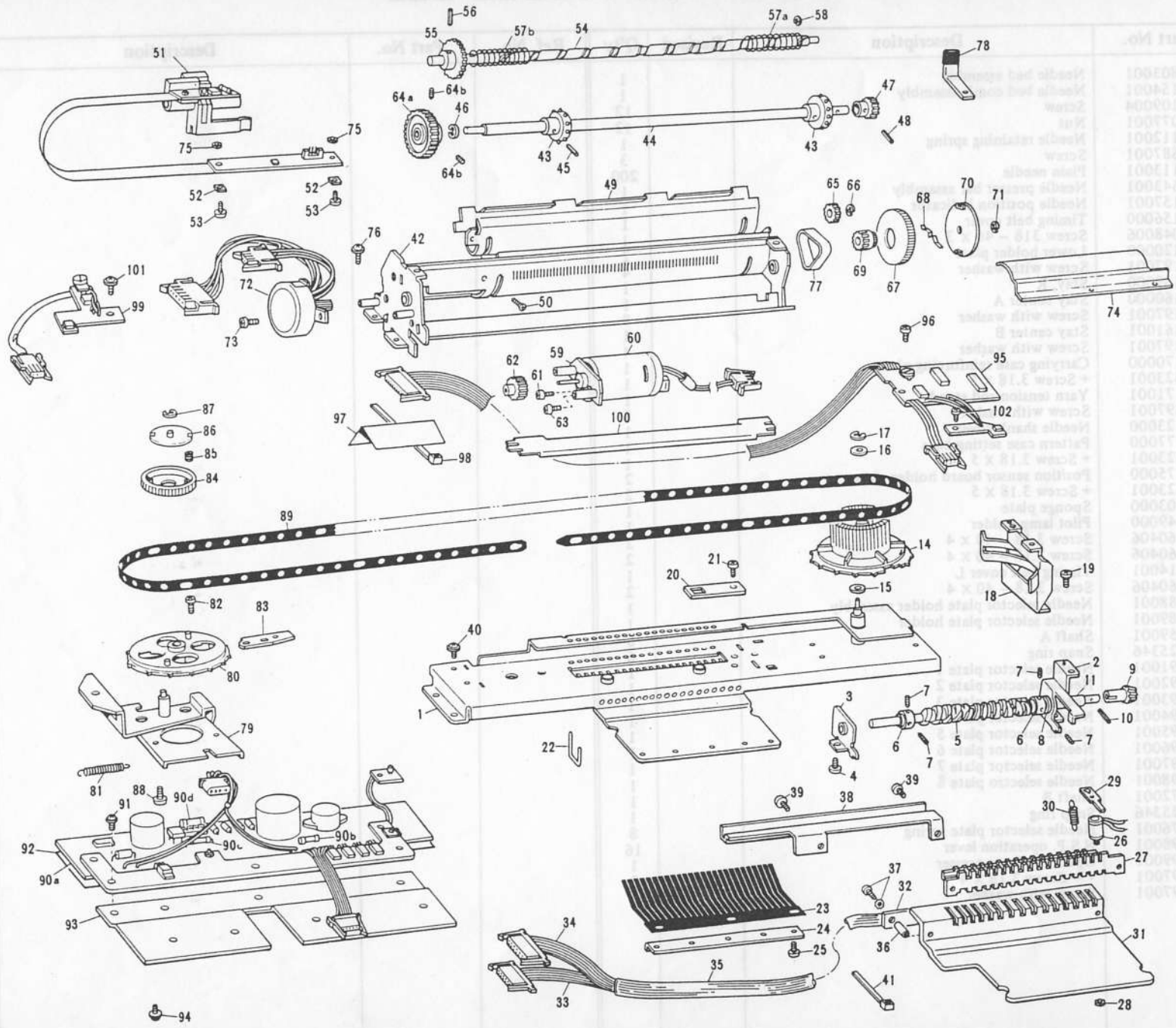


PARTS FOR NEEDLE BED Fig: B

PARTS FOR NEEDLE BED

Ref. No.	Part No.	Description	Revised	Q'ty	Ref. No.	Part No.	Description	Revised	Q'ty
B- 1	412803001	Needle bed assembly		1					
2	410154001	Needle bed comb assembly		1					
3	412109004	Screw		12					
4	405077001	Nut		12					
5	407112001	Needle retaining spring		1					
6	407687001	Screw		3					
7	407113001	Plain needle		200					
8	409643001	Needle presser bar assembly		1					
9	410157001	Needle position indicator		1					
10	410156000	Timing belt cover		1					
11	412048006	Screw 3.18 - 40 x 3		1					
12	407120000	Lower holder plate		2					
13	409197001	Screw with washer		4					
14	410159000	Stay, R		1					
15	410160000	Stay center A		1					
16	409197001	Screw with washer		8					
17	410161001	Stay center B		1					
18	409197001	Screw with washer		4					
19	410170000	Carrying case reinforcing plate		1					
20	410523001	+ Screw 3.18 x 5		1					
21	410171001	Yarn tension rod stand		1					
22	406397001	Screw with washer		5					
23	410423000	Needle shank cover		1					
24	410177000	Pattern case setting base		1					
25	410523001	+ Screw 3.18 x 5		1					
26	410175000	Position sensor board holder plate		2					
27	410523001	+ Screw 3.18 x 5		2					
28	407703000	Sponge plate		1					
29	410449000	Pilot lamp holder		1					
30	060660406	Screw 3.18 - 40 x 4		2					
31	060660406	Screw 3.18 - 40 x 4		2					
32	411014001	Timing belt cover L		1					
33	060660406	Screw 3.18 - 40 x 4		2					
34a-47	410188001	Needle selector plate holder assembly		1					
34a-b	410189001	Needle selector plate holder		1					
35	408159001	Shaft A		6					
36	048025346	Snap ring		6					
37	410191001	Needle selector plate 1		1					
38	410192001	Needle selector plate 2		1					
39	410193001	Needle selector plate 3		1					
40	410194001	Needle selector plate 4		1					
41	410195001	Needle selector plate 5		1					
42	410196001	Needle selector plate 6		1					
43	410197001	Needle selector plate 7		1					
44	410198001	Needle selectro plate 8		1					
45	408172001	Shaft B		1					
46	048025346	Snap ring		1					
47	410476001	Needle selector plate spring		8					
48	408098001	N.S.P. operation lever		16					
49	410199001	Operation lever presser		1					
50	409197001	+ - Screw 3.18 x 4		2					
51	409197001	Screw with washer		8					

PARTS FOR NEEDLE BED



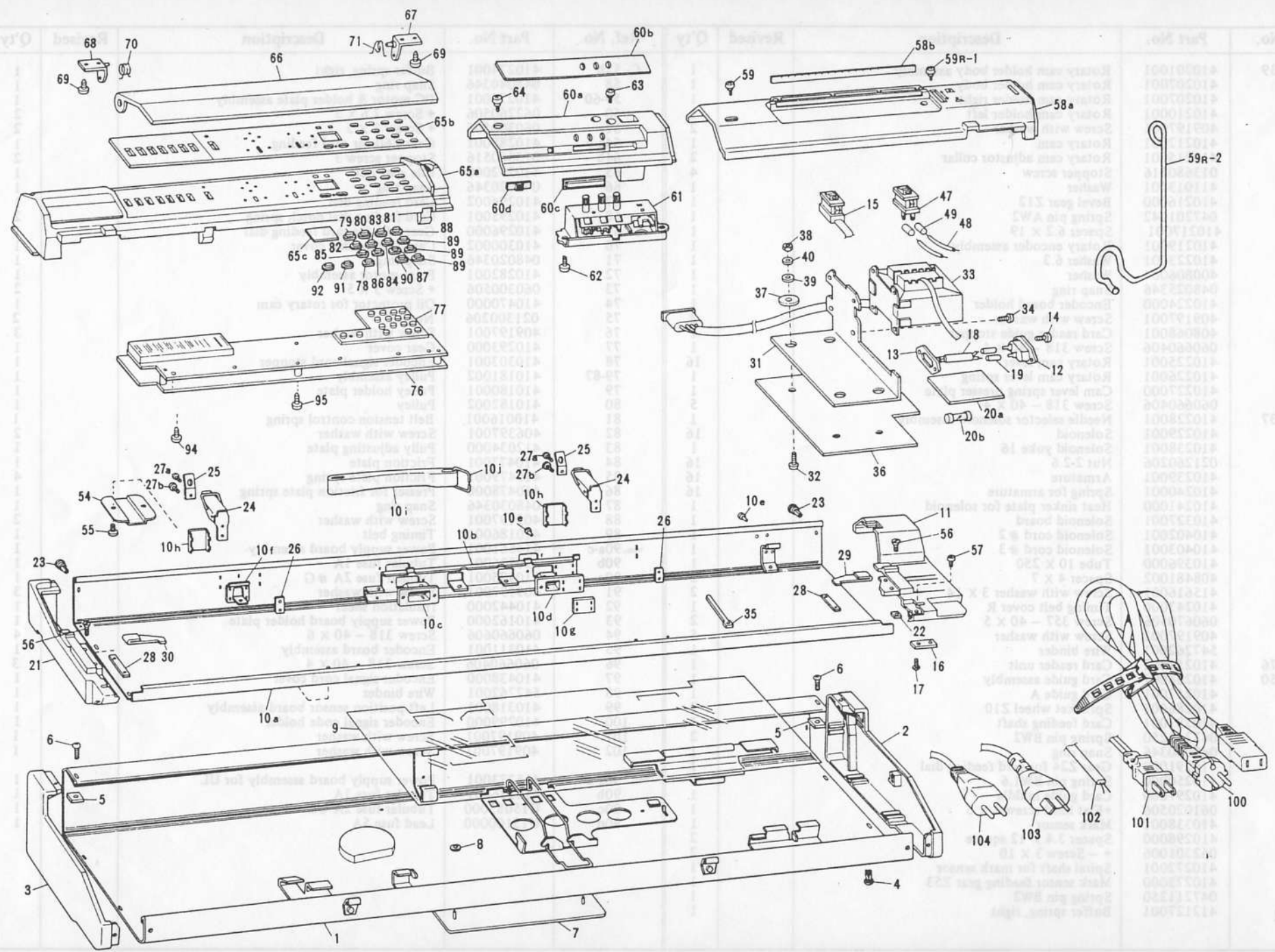
QTY	Revised	Description	Part No.	Ref. No.
1		Needle bed assembly	412503001	1
2		Needle bed cover	410124001	2
3		Screw	412107004	3
4		Washer	408077001	4
5		Needle retaining spring	407112001	5
6		Screw	407887001	6
7		Timing disc	407113001	7
8		Needle gear	409443001	8
9		Timing gear	410127001	9
10		Timing gear	410128000	10
11		Screw 3/16	412048002	11
12		Screw 3/16	407120001	12
13		Screw with washer	407120001	13
14		Star center	410141001	14
15		Screw with lock	409197001	15
16		Washer	410120000	16
17		Screw 3/16	410223001	17
18		Year sensor	410121001	18
19		Screw with lock	409397001	19
20		Needle sensor plate	410423000	20
21		Needle sensor plate holder	410127000	21
22		Needle sensor plate holder	410128001	22
23		Timing sensor	410125000	23
24		Screw 3/16 X 3/8	410223001	24
25		Screw 3/16 X 3/8	407102000	25
26		Flat washer	410447000	26
27		Needle bed assembly	408804002	27
28		Needle	408804002	28
29		Needle sensor plate	410128001	29
30		Needle sensor plate	410128001	30
31		Needle sensor plate	410128001	31
32		Needle sensor plate	410128001	32
33		Needle sensor plate	410128001	33
34		Needle sensor plate	410128001	34
35		Needle sensor plate	410128001	35
36		Needle sensor plate	410128001	36
37		Needle sensor plate	410128001	37
38		Needle sensor plate	410128001	38
39		Needle sensor plate	410128001	39
40		Needle sensor plate	410128001	40
41		Needle sensor plate	410128001	41
42		Needle sensor plate	410128001	42
43		Needle sensor plate	410128001	43
44		Needle sensor plate	410128001	44
45		Needle sensor plate	410128001	45
46		Needle sensor plate	410128001	46
47		Needle sensor plate	410128001	47
48		Needle sensor plate	410128001	48
49		Needle sensor plate	410128001	49
50		Needle sensor plate	410128001	50
51		Needle sensor plate	410128001	51
52		Needle sensor plate	410128001	52
53		Needle sensor plate	410128001	53
54		Needle sensor plate	410128001	54
55		Needle sensor plate	410128001	55
56		Needle sensor plate	410128001	56
57a		Needle sensor plate	410128001	57a
57b		Needle sensor plate	410128001	57b
58		Needle sensor plate	410128001	58
59		Needle sensor plate	410128001	59
60		Needle sensor plate	410128001	60
61		Needle sensor plate	410128001	61
62		Needle sensor plate	410128001	62
63		Needle sensor plate	410128001	63
64a		Needle sensor plate	410128001	64a
64b		Needle sensor plate	410128001	64b
65		Needle sensor plate	410128001	65
66		Needle sensor plate	410128001	66
67		Needle sensor plate	410128001	67
68		Needle sensor plate	410128001	68
69		Needle sensor plate	410128001	69
70		Needle sensor plate	410128001	70
71		Needle sensor plate	410128001	71
72		Needle sensor plate	410128001	72
73		Needle sensor plate	410128001	73
74		Needle sensor plate	410128001	74
75		Needle sensor plate	410128001	75
76		Needle sensor plate	410128001	76
77		Needle sensor plate	410128001	77
78		Needle sensor plate	410128001	78
79		Needle sensor plate	410128001	79
80		Needle sensor plate	410128001	80
81		Needle sensor plate	410128001	81
82		Needle sensor plate	410128001	82
83		Needle sensor plate	410128001	83
84		Needle sensor plate	410128001	84
85		Needle sensor plate	410128001	85
86		Needle sensor plate	410128001	86
87		Needle sensor plate	410128001	87
88		Needle sensor plate	410128001	88
89		Needle sensor plate	410128001	89
90a		Needle sensor plate	410128001	90a
90b		Needle sensor plate	410128001	90b
90c		Needle sensor plate	410128001	90c
90d		Needle sensor plate	410128001	90d
91		Needle sensor plate	410128001	91
92		Needle sensor plate	410128001	92
93		Needle sensor plate	410128001	93
94		Needle sensor plate	410128001	94
95		Needle sensor plate	410128001	95
96		Needle sensor plate	410128001	96
97		Needle sensor plate	410128001	97
98		Needle sensor plate	410128001	98
99		Needle sensor plate	410128001	99
100		Needle sensor plate	410128001	100
101		Needle sensor plate	410128001	101
102		Needle sensor plate	410128001	102

PARTS FOR NEEDLE SELECTOR UNIT Fig: C

PARTS FOR NEEDLE SELECTOR UNIT

Ref. No.	Part No.	Description	Revised	Q'ty	Ref. No.	Part No.	Description	Revised	Q'ty
C- 1-39	410201001	Rotary cam holder body assembly		1	C- 57b	410274001	Buffer spring, right		1
1	410202001	Rotary cam holder body		1	58	048040346	Snap ring		1
2	410207001	Rotary cam holder right		1	59-60	410276001	DC motor & holder plate assembly		1
3	410210001	Rotary cam holder left		1	60	062260506	+ Screw 2.6 X 5		2
4	409197001	Screw with washer		2	61	060300506	+ Screw 3 X 5		2
5	410212001	Rotary cam		1	64a-b	410288001	Gear Z60 for card feeding		1
6	410215001	Rotary cam adjustor collar		2	64b	015300516	Stopper screw 3		2
7	013680516	Stopper screw		4	65	410292000	Idle gear Z20		1
8	411013001	Washer		1	66	048020346	Snap ring		1
9	410216000	Bevel gear Z12		1	67	410294002	Card feeding dial		1
10	047201042	Spring pin AW2		1	68	410295001	Card feeding dial notch spring		2
11	410217001	Spacer 6.2 X 19		1	69	410296000	Gear Z16 for card feeding dial		1
14	410219001	Rotary encoder assembly		1	70	410300002	Card feeding dial cover		1
15	410223001	Washer 6.3		1	71	048020346	Snap ring		1
16	400806004	Washer		1	72	410282001	Pulse motor assembly		1
17	048025346	Snap ring		1	73	060300506	+ Screw 3 X 5		2
18	410224000	Encoder board holder		1	74	410470000	Oil protector for rotary cam		1
19	409197001	Screw with washer		2	75	021300206	Nut 2-3		2
20	408068001	Card reader guide stopper		1	76	409197001	Screw with washer		3
21	060660406	Screw 318 - 40 X 4		1	77	410293000	Gear cover		1
22	410225001	Rotary cam lever		16	78	410303001	Encoder signal cord stopper		1
23	410226001	Rotary cam lever spring		1	79-87	410181002	Pulley assembly		1
24	410227000	Cam lever spring presser plate		1	79	410180001	Pulley holder plate		1
25	060660406	Screw 318 - 40 X 4		5	80	410182002	Pulley		1
26-37	410228001	Needle selector solenoid assembly		1	81	410016001	Belt tension control spring		1
26	410229001	Solenoid		16	82	406397001	Screw with washer		2
27	410238001	Solenoid yoke 16		1	83	412034000	Pully adjusting plate		1
28	021260206	Nut 2-2.6		16	84	410477001	Friction plate		1
29	410239001	Armature		16	85	410479001	Friction plate spring		4
30	410240001	Spring for armature		16	86	410478000	Presser for friction plate spring		1
31	410241000	Heat sinker plate for solenoid		1	87	048030346	Snap ring		1
32	410327001	Solenoid board		1	88	409197001	Screw with washer		2
33	410402001	Solenoid cord # 2		1	89	410186001	Timing belt		1
34	410403001	Solenoid cord # 3		1	90a-c	414561001	Power supply board assembly-		1
35	410396000	Tube 10 X 250		1	90b	410336001	Tubular fuse 1A		1
36	408481002	Spacer 4 X 7		2	90c	410475001	Tubular fuse 2A #G		1
37	415616001	Screw with washer 3 X 14		2	91	409197001	Screw with washer		3
38	410243000	Timing belt cover R		1	92	410442000	Insulation sheet		1
39	060670506	Screw 357 - 40 X 5		2	93	410162000	Power supply board holder plate		1
40	409197001	Screw with washer		5	94	060660606	Screw 318 - 40 X 6		4
41	547262001	Wire binder		1	95	410311001	Encoder board assembly		1
42-76	410251002	Card reader unit		1	96	060660406	Screw 318 - 40 X 4		3
42-50	410268001	Card guide assembly		1	97	410438000	Encoder signal cord cover		1
42	410252001	Card guide A		1	98	547262001	Wire binder		1
43	410286001	Sprocket wheel Z10		2	99	410318001	Left position sensor board assembly		1
44	410287001	Card feeding shaft		1	100	410299000	Encoder signal code holder		1
45	047211250	Spring pin BW2		2	101	409197001	Screw with washer		1
46	048040346	Snap ring		1	102	409197001	Screw with washer		1
47	410291000	Gear Z24 for card feeding dial		1					
48	410250000	Spring pin BW1.6		1	90a-d	415373001	Power supply board assembly for UL		1
49	410297000	Card guide middle		1	90b	410336001	Tubular fuse 1A		1
50	061020506	+Flat head screw 2 X 5		1	90c	U15083000	Tubular fuse 2A UL		1
51	410338001	Mark sensor		1	90d	U15100000	Lead fuse 5A		1
52	410298000	Spacer 3.4 X 12 square		2					
53	062301006	+ - Screw 3 X 10		2					
54	410272001	Spiral shaft for mark sensor		1					
55	410273000	Mark sensor feeding gear Z53		1					
56	047211250	Spring pin BW2		1					
57a	412127001	Buffer spring, right		1					

PARTS FOR NEEDLE SELECTOR UNIT

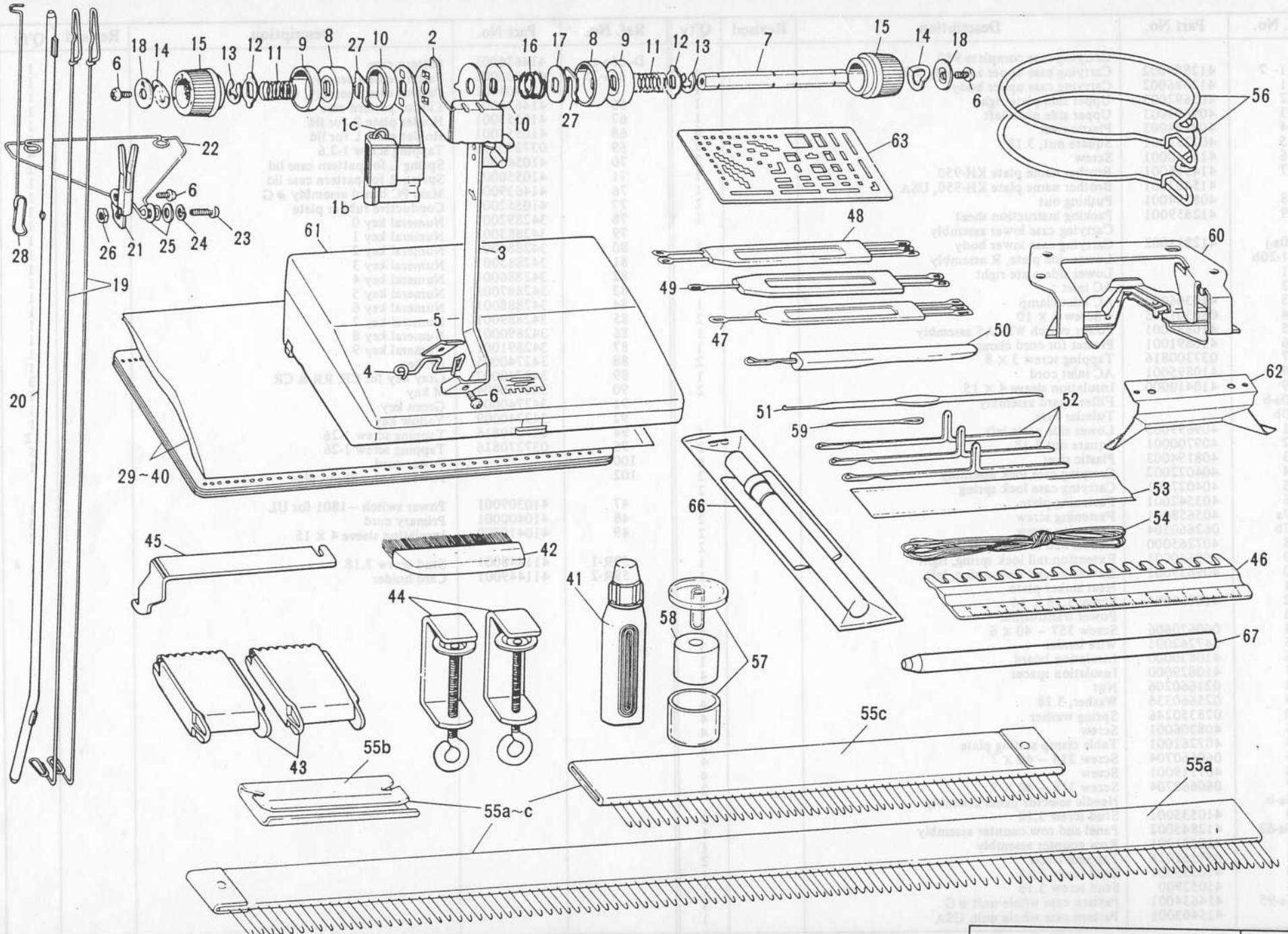


PARTS FOR CARRYING CASE Fig: D

PARTS FOR CARRYING CASE

Ref. No.	Part No.	Description	Revised	Q'ty	Ref. No.	Part No.	Description	Revised	Q'ty
		Carrying case complete 950			D- 65a-c	414636001	Pattern case		1
D- 1- 7	412884002	Carrying case upper assembly 950		1	65a-75	414635001	Pattern case assembly		1
1	412886002	Carrying case upper body		1		415404001	Pattern case assembly, USA		1
2	409692003	Upper side plate right		1	66	414638001	Lid for pattern case		1
3	409693003	Upper side plate left		1	67	410553001	Holder plate R for lid		1
4	408194003	Plastic rivet		8	68	410554001	Holder plate L for lid		1
5	407252001	Square nut, 3.18		2	69	037270616	Tapping screw 1-2.6		4
6	412360001	Screw		2	70	410549001	Spring L for pattern case lid		1
7	414566001	Brother name plate KH-950		1	71	410550001	Spring R for pattern case lid		1
	415402001	Brother name plate KH-950, USA		1	76	414639001	Main PC board assembly # G		1
8	408784001	Pushing nut		2	77	410552001	Conductive rubber plate		1
9	412859001	Packing instruction sheet		1	78	342892001	Numeral key 0		1
		Carrying case lower assembly			79	342883001	Numeral key 1		1
10a-j	412811002	Carrying case lower body		1	80	342884001	Numeral key 2		1
11-20b		Lower side plate, R assembly			81	342885001	Numeral key 3		1
11		Lower side plate right			82	342886001	Numeral key 4		1
12		AC inlet			83	342887001	Numeral key 5		1
13	410306000	AC inlet clamp		1	84	342888001	Numeral key 6		1
14	060301005	+ Screw 3 x 10		2	85	342889001	Numeral key 7		1
15	410892001	Power switch WK2A5 assembly		1	86	342890001	Numeral key 8		1
16	410891001	Presser for cord clamp		1	87	342891001	Numeral key 9		1
17	037300816	Tapping screw 3 x 8		2	88	342740005	CE key		1
18	410895001	AC inlet cord		1	89	342740007	Gray key for CF, RR & CR		3
19	410410000	Insulation sleeve 4 x 15		2	90	342740004	M key		1
20a-b		Filter board assembly			91	342740008	Green key		1
20b		Tubular fuse			92	342740009	Yellow key		1
21	409699003	Lower side plate left		1	94	037270816	Tapping screw 1-26		12
22	409700001	Square nut 3.18		2	95	037270816	Tapping screw 1-26		5
23	408194003	Plastic rivet		6	100		Power cord		1
24	404022002	Carrying case lock assembly		2	102		Power cord without plug		
25	404027001	Carrying case lock spring		2					
26	403542001	Fastening plate		2	47	410309001	Power switch -1801 for UL		1
27a	405658001	Fastening screw		2	48	410400001	Primary cord		3
27b	062660504	Fastening screw		2	49	410410000	Insulation sleeve 4 x 15		2
28	407265000	Needle bed fastening plate		2					
29	409640001	Extension rail lock spring, right		1	59R-1	411448001	Stud screw 3.18		1
30	409639001	Extension rail lock spring, left		1	59R-2	411449001	Card holder		1
31		Heat sinker plate							
32	410864001	Screw 3.18 x 14		4					
33		Power transformer							
34	060670606	Screw 357 - 40 x 6		4					
35	547262001	Wire binder		3					
36	410830000	Insulation board		1					
37	410829000	Insulation spacer		4					
38	021660206	Nut		4					
39	025660336	Washer, 3.18		4					
40	028350246	Spring washer		4					
45	408306001	Screw		4					
54	407261001	Table clamp setting plate		2					
55	060660704	Screw 318 - 40 x 7		4					
56	407119001	Screw		4					
57	060660704	Screw 318 - 40 x 7		2					
58a-b		Needle selector panel assembly							
59	410535001	Stud screw 3.18		2					
60a-62	412845002	Panel and row counter assembly		1					
61	410531001	Row counter assembly		1					
62	037351016	Tapping screw		2					
63	410535001	Stud screw 3.18		1					
64	410529001	Stud screw 3.18		1					
65a-95	414634001	Pattern case whole unit # G		1					
	415403001	Pattern case whole unit, USA		1					

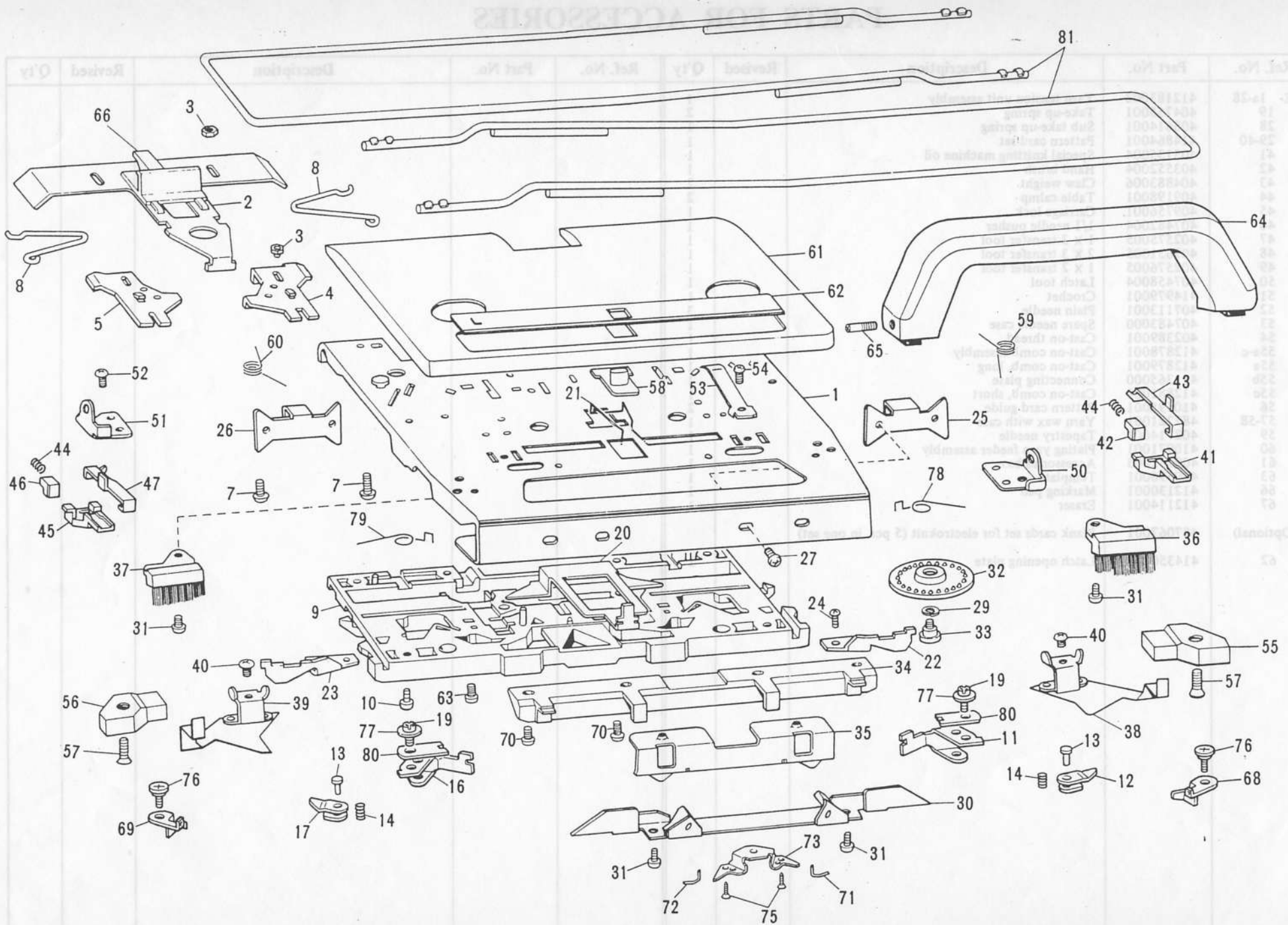
PARTS FOR CARRYING CASE



PARTS FOR ACCESSORIES Fig: E

PARTS FOR ACCESSORIES

Ref. No.	Part No.	Description	Revised	Q'ty	Ref. No.	Part No.	Description	Revised	Q'ty
E- 1a-28	412183002	Yarn tension unit assembly		1					
19	404755001	Take-up spring		2					
28	408614001	Sub take-up spring		1					
29-40	414864001	Pattern card set		1					
41	405135004	Special knitting machine oil		1					
42	403552004	Hand brush		1					
43	404883006	Claw weight		2					
44	409198001	Table clamp		2					
45	409756001	Carriage lock		1					
46	407482004	1/1 needle pusher		1					
47	402575005	1 x 3 transfer tool		1					
48	402631005	2 x 3 transfer tool		1					
49	402576005	1 x 2 transfer tool		1					
50	407458004	Latch tool		1					
51	414979001	Crochet		1					
52	407113001	Plain needle		3					
53	407483000	Spare needle case		1					
54	402389001	Cast-on thread		1					
55a-c	412878001	Cast-on comb assembly		1					
55a	412879001	Cast-on comb, long		1					
55b	411365000	Connecting plate		1					
55c	412881001	Cast-on comb, short		1					
56	410595001	Pattern card guide		2					
57-58	487221001	Yarn wax with case		1					
59	402714001	Tapestry needle		1					
60	410971001	Plating yarn feeder assembly		1					
61	409752003	Accessories box		1					
63	410596001	Template		1					
66	412130001	Marking pen		1					
67	412114001	Eraser		1					
(Optional)	487067001	Blank cards set for electroknit (5 pcs. in one set)							
62	414350000	Latch opening plate		1					



PARTS FOR L-CARRIAGE Fig: F

PARTS FOR L-CARRIAGE

Ref. No.	Part No.	Description	Revised	Q'ty	Ref. No.	Part No.	Description	Revised	Q'ty
F- 1-80	414640001	L carriage assembly KH950, BR		1	F- 65	409751001	Screw		2
	415272001	L carriage assembly KH950, USA		1	66	410585005	Release button (White)		1
1	410481001	L carriage plate		1	68	412145001	L valve cam C, R		1
2	410483001	Release button plate		1	69	412146001	L valve cam C, L		1
3	408166001	Stud for release button plate		4	70	060660806	Screw 3.18 - 40 x 8		4
4	410484001	Connecting plate R for L carriage		1	71	412141001	L valve cam B, R		1
5	410485001	Connecting plate L for L carriage		1	72	412142001	L valve cam B, L		1
7	060660706	Screw 3.18 - 40 x 7		4	73	412143001	Reinforcing plate B		1
8	410486001	Connecting plate spring		2	75	040210812	Screw 2 x 8		2
9	412138001	Main cam		1	76	409528001	Lever shaft		2
10	060660806	Screw 3.18 - 40 x 8		2	77	403069001	Washer 3.3		2
11	410578001	Separation cam R for L carriage		1	78	410966001	R end needle selection change spring		1
12	408132001	Raising cam right for L carriage		1	79	410967001	L end needle selection change spring		1
13	410579001	Shaft for separation cam		1	80	412898000	Separation cam plate		2
14	408134001	Raising cam spring		2	81	412205001	Extension rail		2
16	410581001	Separation cam L for L carriage		1					
17	408137001	Raising cam left for L carriage		1					
19	060660706	Screw 3.18 - 40 x 7		2					
20	408582001	Lace selecting cam		1					
21	408583001	Change lever spring		1					
22	410583001	Right end needle separation cam for L		1					
23	410584001	Left end needle separation cam for L		1					
24	410592001	+ - Screw 3.18 x 12		2					
25	410494001	Needle transfer plate R		1					
26	410495001	Needle transfer plate L		1					
27	413734001	Screw 3.18 - 40 x 4		4					
30	408573001	Cam plate		1					
31	060660406	Screw 3.18 - 40 x 4		4					
32	411003001	Wheel brush		2					
33	405029001	Stud screw		1					
34	407490000	Front foot		1					
35	407490000	Front foot holder		1					
36	408580003	Small brush, R		1					
37	408581003	Small brush, L		1					
38	408561001	Spring plate, R		1					
39	408562001	Spring plate, L		1					
40	060660406	Screw 3.18 - 40 x 4		2					
41	410957002	R end needle selection cam for L		1					
42	410959001	R end needle selection change cam for L		1					
43	410958001	R end needle selection plate for L		1					
44	410963001	End needle selection cam spring for L		2					
45	410960002	L end needle selection change cam for L		1					
46	410962001	L end needle selection change cam for L		1					
47	410961001	L end needle selection plate for L		1					
50	409740001	Handle setting base, R		1					
51	409739001	Handle setting base, L		1					
52	060670506	Screw 3.57 - 40 x 5		2					
53	407522001	Handle lock spring		2					
54	060660406	Screw 3.57 - 40 x 4		2					
55	407454000	Magnet, R		1					
56	407578000	Magnet, L		1					
57	061661006	Screw		2					
58	409744005	Lace selecting knob (White)		1					
59	412148001	L valve cam C spring, L		1					
60	412147001	L valve cam C spring, R		1					
61-62	414641001	L carriage cover assembly, BR		1					
	415259001	L carriage cover assembly, USA		1					
62	414642001	L carriage cover decoration plate, BR		1					
	415261001	L carriage cover decoration plate, USA		1					
63	060660406	Screw 3.18 - 40 x 4		2					
64	409748007	L carriage handle (White)		1					

PARTS FOR L-CARRIAGE

Q'ty	Revised	Description	Part No.	Ref. No.	Q'ty	Revised	Description	Part No.	Ref. No.
1		Screw	40821001	F-63	1		L carriage assembly KH250 BR	41444001	F-140
1		Release button (White)	41022002	68	1		L carriage assembly KH250 USA	412112001	
1		L valve cam C, R	412142001	68	1		L carriage plate	410481001	1
1		L valve cam C, L	412142001	69	1		Release button plate	410482001	2
1		Screw 1.18 - 40 x 2	00044002	70	4		Stud for release button plate	408162001	3
1		L valve cam R, R	412141001	71	1		Connecting plate R for L carriage	410424001	4
1		L valve cam R, L	412142001	72	1		Connecting plate L for L carriage	410425001	5
1		Reinforcing plate B	412143001	73	4		Screw 1.18 - 40 x 7	00044002	7
1		Screw 1 x 2	040210812	73	2		Connecting plate spring	410482001	8
1		Lever shaft	40922001	78	1		Main cam	41212001	9
1		Washer 1.8	40909001	77	2		Screw 1.18 - 40 x 2	00044002	10
1		R and needle selection change spring	41092001	78	1		Separation cam R for L carriage	410212001	11
1		L and needle selection change spring	41092001	79	1		Raising cam right for L carriage	408122001	12
1		Separation cam plate	41229000	80	1		Stud for separation cam	410212001	13
1		Extension rail	41229001	81	2		Raising cam spring	408124001	14
					1		Separation cam L for L carriage	410211001	15
					1		Raising cam left for L carriage	408122001	17
					2		Screw 1.18 - 40 x 7	00044002	19
					1		Lace selecting cam	40822001	20
					1		Change lever spring	40822001	21
					1		Right end needle separation cam for L	41022001	22
					1		Left end needle separation cam for L	41022001	23
					2		+- Screw 1.18 x 12	41022001	24
					1		Needle transfer plate R	410494001	25
					4		Needle transfer plate L	410493001	26
					4		Screw 1.18 - 40 x 4	412124001	27
					1		Cam plate	408213001	28
					4		Screw 1.18 - 40 x 4	00044002	29
					2		Wash brush	41002001	31
					1		Stud screw	40702001	32
					1		Front foot	40749000	34
					1		Front foot holder	40749000	35
					1		Small brush, R	40828002	36
					1		Small brush, L	408281002	37
					1		Spring plate, R	408281001	38
					1		Spring plate, L	408282001	39
					2		Screw 1.18 - 40 x 4	00044002	40
					1		R and needle selection cam for L	410921002	41
					1		R and needle selection change cam for L	41092001	42
					2		R and needle selection plate for L	41092001	43
					1		End needle selection cam spring for L	41092001	44
					1		L and needle selection change cam for L	41092002	45
					1		L and needle selection change cam for L	41092001	46
					1		L and needle selection plate for L	410921001	47
					1		Handle setting bar, R	40974001	50
					1		Handle setting bar, L	40973001	51
					2		Screw 1.21 - 40 x 2	00044002	52
					2		Handle lock spring	407122001	53
					2		Screw 1.21 - 40 x 4	00044002	54
					1		Magnet, R	407424000	55
					1		Magnet, L	407425000	56
					2		Screw	001621002	57
					1		Lace selecting knob (White)	409744002	58
					1		L valve cam C spring, L	412148001	59
					1		L valve cam C spring, R	412147001	60
					1		L carriage cover assembly, BR	414641001	61-62
					1		L carriage cover assembly, USA	41229001	
					1		L carriage cover decoration plate, BR	414641001	63
					1		L carriage cover decoration plate, USA	412291001	
					1		Screw 1.18 - 40 x 4	00044002	64

BROTHER INDUSTRIES, LTD. Printed in Japan
 K7065073
 The part No. is subject to change without notice.