

**PARTS CATALOGUE
FOR
KNITTING MACHINE**

**CATALOGO DE PIEZAS
PARA
TEJEDORA**

MOD. 700

(OPTIONAL LACE CARRIAGE/OPCIONAL CARRO DE CALADO MOD.LC2)

CONTENTS/CONTENIDO

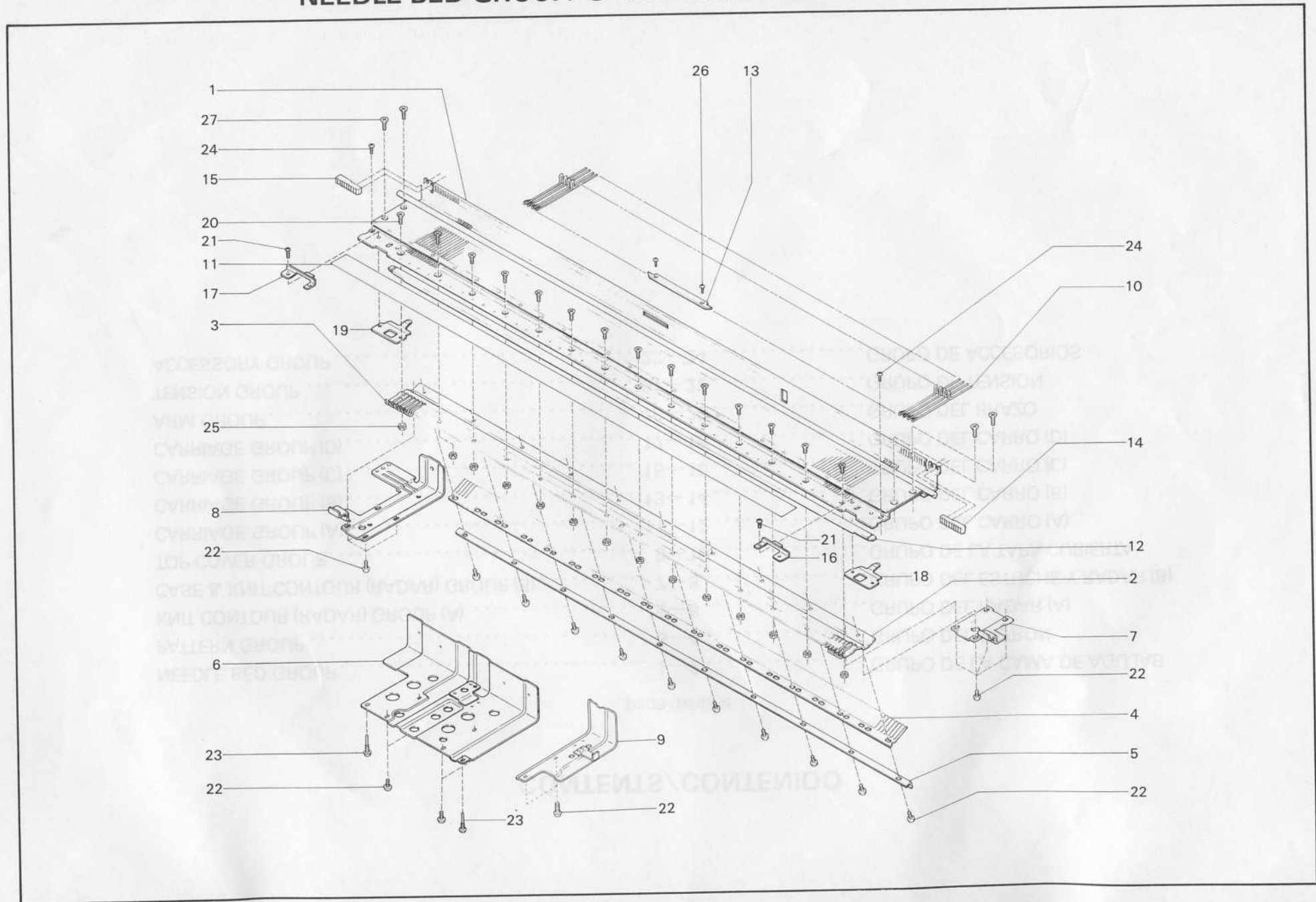
| Part No. | Part Name | Qty | Description | Material & Part | Unit Price |
|----------|----------------------|-----|----------------------|---------------------------------|------------|
| 01004776 | Needle Bed Unit No.1 | 1 | Needle Bed Unit No.1 | Unidad de la Cama de Aguja No.1 | |
| 01004774 | Needle Bed Unit No.2 | 1 | Needle Bed Unit No.2 | Unidad de la Cama de Aguja No.2 | 35 |
| 11000728 | Needle Bed Unit No.3 | 1 | Needle Bed Unit No.3 | Unidad de la Cama de Aguja No.3 | |
| 01002002 | Supporting Frame | 1 | Supporting Frame | Soporte del Armario | |
| 01002007 | Needle Support | 1 | Needle Support | Soporte de la Aguja | |
| 11000725 | Needle Support | 1 | Needle Support | Soporte de la Aguja | |

| | page/pagina | |
|---|-------------|-------------------------------|
| NEEDLE BED GROUP..... | 1—2 | GRUPO DE LA CAMA DE AGUJAS |
| PATTERN GROUP | 3—4 | GRUPO DEL PATRON |
| KNIT CONTOUR (RADAR) GROUP (A) | 5—6 | GRUPO DEL RADAR (A) |
| CASE & KNIT CONTOUR (RADAR) GROUP (B) | 7—8 | GRUPO DEL ESTUCHE Y RADAR (B) |
| TOP COVER GROUP..... | 9—10 | GRUPO DE LA TAPA CUBIERTA |
| CARRIAGE GROUP (A)..... | 11—12 | GRUPO DEL CARRO (A) |
| CARRIAGE GROUP (B)..... | 13—14 | GRUPO DEL CARRO (B) |
| CARRIAGE GROUP (C)..... | 15—16 | GRUPO DEL CARRO (C) |
| CARRIAGE GROUP (D)..... | 17—18 | GRUPO DEL CARRO (D) |
| ARM GROUP..... | 19—20 | GRUPO DEL BRAZO |
| TENSION GROUP | 21—22 | GRUPO DE TENSION |
| ACCESSORY GROUP..... | 23—24 | GRUPO DE ACCESORIOS |

| | | | | | |
|----------|----------------|---|----------------|----------------------------|----|
| 01004777 | Needle Support | 1 | Needle Support | Soporte de la Aguja (Dcr.) | |
| 01004770 | Needle Support | 1 | Needle Support | Soporte de la Aguja (Dcr.) | 16 |
| 01004775 | Needle Support | 1 | Needle Support | Soporte de la Aguja (Dcr.) | |
| 01004778 | Needle Support | 1 | Needle Support | Soporte de la Aguja (Dcr.) | 34 |
| 01004771 | Needle Support | 1 | Needle Support | Soporte de la Aguja (Dcr.) | |
| 01004779 | Needle Support | 1 | Needle Support | Soporte de la Aguja (Dcr.) | |
| 01004772 | Needle Support | 1 | Needle Support | Soporte de la Aguja (Dcr.) | |
| 01004773 | Needle Support | 1 | Needle Support | Soporte de la Aguja (Dcr.) | |
| 01004774 | Needle Support | 1 | Needle Support | Soporte de la Aguja (Dcr.) | |
| 01004775 | Needle Support | 1 | Needle Support | Soporte de la Aguja (Dcr.) | |
| 01004776 | Needle Support | 1 | Needle Support | Soporte de la Aguja (Dcr.) | |
| 01004777 | Needle Support | 1 | Needle Support | Soporte de la Aguja (Dcr.) | |
| 01004778 | Needle Support | 1 | Needle Support | Soporte de la Aguja (Dcr.) | |
| 01004779 | Needle Support | 1 | Needle Support | Soporte de la Aguja (Dcr.) | |
| 01004780 | Needle Support | 1 | Needle Support | Soporte de la Aguja (Dcr.) | |
| 01004781 | Needle Support | 1 | Needle Support | Soporte de la Aguja (Dcr.) | |
| 01004782 | Needle Support | 1 | Needle Support | Soporte de la Aguja (Dcr.) | |
| 01004783 | Needle Support | 1 | Needle Support | Soporte de la Aguja (Dcr.) | |
| 01004784 | Needle Support | 1 | Needle Support | Soporte de la Aguja (Dcr.) | |
| 01004785 | Needle Support | 1 | Needle Support | Soporte de la Aguja (Dcr.) | |
| 01004786 | Needle Support | 1 | Needle Support | Soporte de la Aguja (Dcr.) | |
| 01004787 | Needle Support | 1 | Needle Support | Soporte de la Aguja (Dcr.) | |
| 01004788 | Needle Support | 1 | Needle Support | Soporte de la Aguja (Dcr.) | |
| 01004789 | Needle Support | 1 | Needle Support | Soporte de la Aguja (Dcr.) | |
| 01004790 | Needle Support | 1 | Needle Support | Soporte de la Aguja (Dcr.) | |
| 01004791 | Needle Support | 1 | Needle Support | Soporte de la Aguja (Dcr.) | |
| 01004792 | Needle Support | 1 | Needle Support | Soporte de la Aguja (Dcr.) | |
| 01004793 | Needle Support | 1 | Needle Support | Soporte de la Aguja (Dcr.) | |
| 01004794 | Needle Support | 1 | Needle Support | Soporte de la Aguja (Dcr.) | |
| 01004795 | Needle Support | 1 | Needle Support | Soporte de la Aguja (Dcr.) | |
| 01004796 | Needle Support | 1 | Needle Support | Soporte de la Aguja (Dcr.) | |
| 01004797 | Needle Support | 1 | Needle Support | Soporte de la Aguja (Dcr.) | |
| 01004798 | Needle Support | 1 | Needle Support | Soporte de la Aguja (Dcr.) | |
| 01004799 | Needle Support | 1 | Needle Support | Soporte de la Aguja (Dcr.) | |
| 01004800 | Needle Support | 1 | Needle Support | Soporte de la Aguja (Dcr.) | |

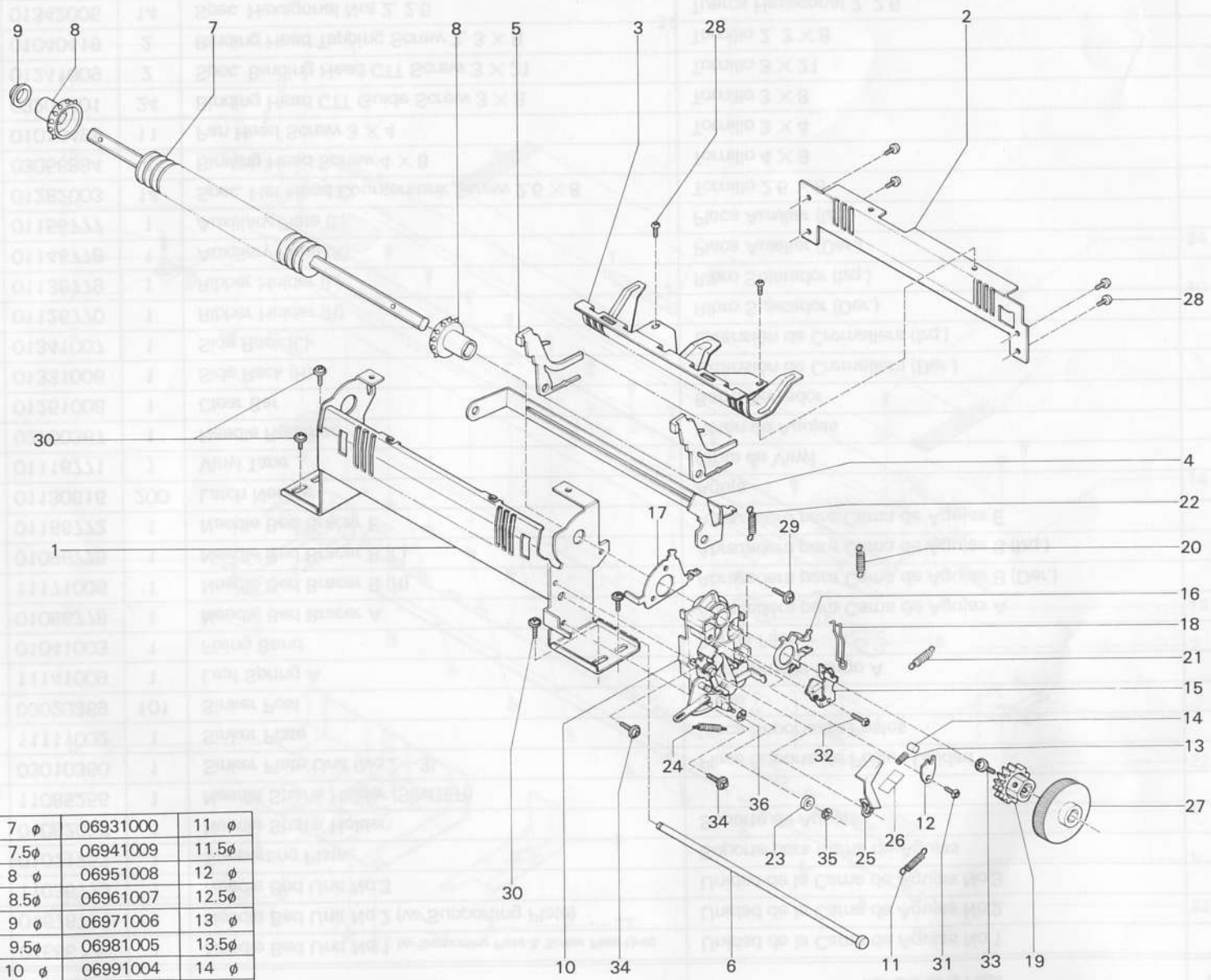
NEEDLE BED GROUP / GRUPO DE LA CAMA DE AGUJAS

NEEDLE BED GROUP/GRUPO DE LA CAMA DE AGUJAS



| Ref. No. | Parts No. Prefijo | Q'ty Cant | Description | Nombre de la Pieza | Unit Price |
|----------|-------------------|-----------|---|--|------------|
| ⊙ | 01666775 | 1 | Needle Bed Unit No.1 (w/Supporting Plate & Sinker Plate Unit) | Unidad de la Cama de Aguja No.1 | |
| ○ | 01676774 | 1 | Needle Bed Unit No.2 (w/Supporting Plate) | Unidad de la Cama de Aguja No.2 | |
| 1 | 11036779 | 1 | Needle Bed Unit No.3 | Unidad de la Cama de Aguja No.3 | |
| ○ | 01071752 | 1 | Supporting Plate | Soporte para Cama de Aguja | |
| ○ | 01082007 | 1 | Needle Shank Holder | Soporte de Aguja | |
| | 11085255 | 1 | Needle Shank Holder (SINGER) | | |
| ○ | 03010360 | 1 | Sinker Plate Unit (No.2—3) | Placa Soporte de Postes Unidad | |
| 2 | 11111002 | 1 | Sinker Plate | Placa Soporte de Postes | |
| 3 | 03020369 | 101 | Sinker Post | Poste | |
| 4 | 11141009 | 1 | Leaf Spring A | Placa Muelle Largo A | |
| 5 | 01041003 | 1 | Fixing Band | Banda Fijador | |
| 6 | 01066778 | 1 | Needle Bed Bracer A | Abrazadera para Cama de Aguja A | |
| 7 | 11171006 | 1 | Needle Bed Bracer B (R) | Abrazadera para Cama de Aguja B (Der.) | |
| 8 | 01096775 | 1 | Needle Bed Bracer B (L) | Abrazadera para Cama de Aguja B (Izq.) | |
| 9 | 01186772 | 1 | Needle Bed Bracer E | Abrazadera para Cama de Aguja E | |
| 10 | 01130616 | 200 | Latch Needle | Aguja | |
| 11 | 01116771 | 1 | Vinyl Tape | Cinta de Vinyl | |
| 12 | 02700367 | 1 | Needle Retainer | Retén de Aguja | |
| 13 | 01251008 | 1 | Clear Bar | Barra Borrador | |
| 14 | 01331008 | 1 | Side Rack (R) | Extensión de Cremallera (Der.) | |
| 15 | 01341007 | 1 | Side Rack (L) | Extensión de Cremallera (Izq.) | |
| 16 | 01126770 | 1 | Ribber Holder (R) | Ribro Sujetador (Der.) | |
| 17 | 01136779 | 1 | Ribber Holder (L) | Ribro Sujetador (Izq.) | |
| 18 | 01146778 | 1 | Auxiliary Plate (R) | Placa Auxiliar (Der.) | |
| 19 | 01156777 | 1 | Auxiliary Plate (L) | Placa Auxiliar (Izq.) | |
| 20 | 01282003 | 14 | Spec. Flat Head Countersunk Screw 2.6 × 8 | Tornillo 2.6 × 8 | |
| 21 | 03056884 | 4 | Binding Head Screw 4 × 8 | Tornillo 4 × 8 | |
| ○ | 01010495 | 11 | Pan Head Screw 3 × 4 | Tornillo 3 × 4 | |
| 22 | 03201001 | 24 | Binding Head CTT Guide Screw 3 × 8 | Tornillo 3 × 8 | |
| 23 | 01241009 | 2 | Spec. Binding Head CTT Screw 3 × 21 | Tornillo 3 × 21 | |
| 24 | 01040419 | 2 | Binding Head Tapping Screw 2, 3 × 8 | Tornillo 2, 3 × 8 | |
| 25 | 01342005 | 14 | Spec. Hexagonal Nut 2, 2.6 | Tuerca Hexagonal 2, 2.6 | |
| 26 | 01100817 | 2 | Binding Head STT Screw 2 × 6 | Tornillo 2 × 6 | |
| 27 | 01292002 | 4 | Spec. Flat Head Countersunk STT Screw 4 × 10 | Tornillo 4 × 10 | |

PATTERN GROUP/GRUPO DEL PATRON

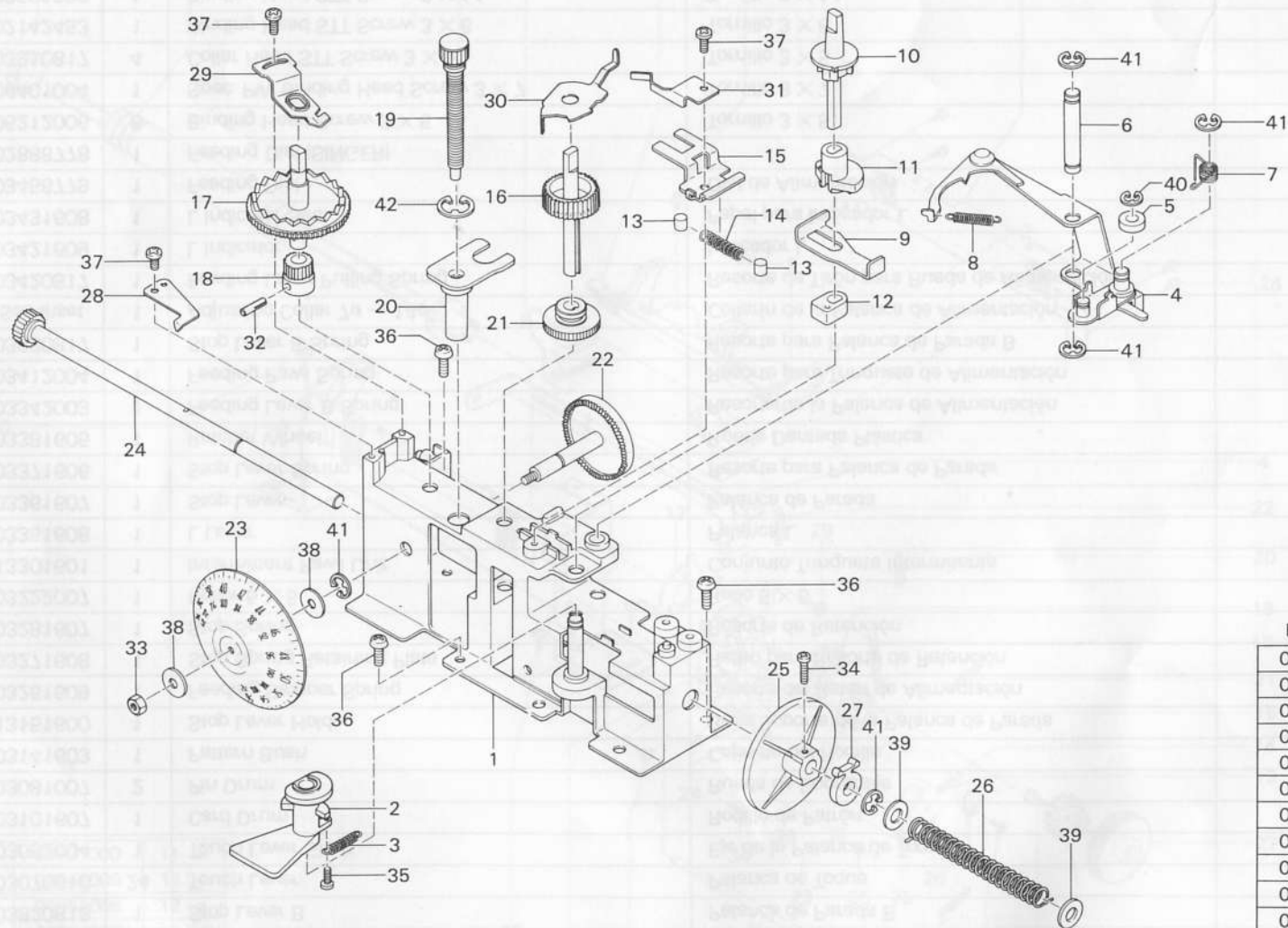


Ref. No.23

| | | | |
|----------|-------|----------|-------|
| 06851000 | 7 φ | 06931000 | 11 φ |
| 06861009 | 7.5φ | 06941009 | 11.5φ |
| 06871008 | 8 φ | 06951008 | 12 φ |
| 06881007 | 8.5φ | 06961007 | 12.5φ |
| 06891006 | 9 φ | 06971006 | 13 φ |
| 06901003 | 9.5φ | 06981005 | 13.5φ |
| 06911002 | 10 φ | 06991004 | 14 φ |
| 06921001 | 10.5φ | | |

| Ref. No. | Parts No. Prefijo | Q'ty Cant | Description | Nombre de la Pieza | Unit Price |
|----------|-------------------|-----------|---|---|------------|
| ◎ | 00207639 | 1 | Pattern Unit (No.1—36 excl. No.23, 25—27, 35) | Unidad del Patrones | |
| 1 | 13021001 | 1 | Pattern Box Frame | Caja de Patrones | |
| 2 | 03030814 | 1 | Pattern Box Cover | Cubierta de la Caja de Patrones | |
| 3 | 03021201 | 1 | Card Holder | Soporte de la Tarjeta | |
| 4 | 03820818 | 1 | Stop Lever B | Palanca de Parada B | |
| 5 | 03070810 | 24 | Touch Lever | Palanca de Toque | |
| 6 | 03092004 | 1 | Touch Lever Shaft | Eje de la Palanca de Toque | |
| 7 | 03101607 | 1 | Card Drum | Rodillo de Patrón | |
| 8 | 03081007 | 2 | Pin Drum | Rueda de Engranaje | |
| 9 | 03141603 | 1 | Pattern Bush | Cojinete del Rodillo | |
| 10 | 13151600 | 1 | Stop Lever Holder | Base Soporte de la Palanca de Parada | |
| 11 | 03261609 | 1 | Feeding Stopper Spring | Resorte del Retén de Alimentación | |
| 12 | 03271608 | 1 | Stop Spring Retaining Plate | Retén para Resorte de Retención | |
| 13 | 03281607 | 1 | Stop Spring | Resorte de Retención | |
| 14 | 03222007 | 1 | Roller 5 × 5 | Rollo 5 × 5 | |
| 15 | 13301601 | 1 | Intermittent Pawl Unit | Conjunto Trinquete Intermitente | |
| 16 | 03351608 | 1 | L Lever | Palanca L | |
| 17 | 03361607 | 1 | Stop Lever | Palanca de Parada | |
| 18 | 03371606 | 1 | Stop Lever Spring | Resorte para Palanca de Parada | |
| 19 | 03381605 | 1 | Ratchet Wheel | Rueda Dentada Plástica | |
| 20 | 03342003 | 1 | Feeding Lever B Spring | Resorte de la Palanca de Alimentación | |
| 21 | 03412004 | 1 | Feeding Pawl Spring | Resorte para Trinquete de Alimentación | |
| 22 | 03830817 | 1 | Stop Lever B Spring | Resorte para Palanca de Parada B | |
| 23 | See Inset | 1 | Adjusting Collar 7φ — 14φ | Collarín de la Palanca de Alimentación | |
| 24 | 03420817 | 1 | Feeding Lever Pulling Spring | Resorte de Tirón para Rueda de Alimentación | |
| 25 | 03421609 | 1 | L Indicator | Indicador L | |
| 26 | 03431608 | 1 | L Indicator Seal | Papel para Indicador L | |
| 27 | 03456779 | 1 | Feeding Dial | Dial de Alimentación | |
| | 02886778 | 1 | Feeding Dial (SINGER) | | |
| 28 | 05212006 | 6 | Binding Head Screw 3 × 5 | Tornillo 3 × 5 | |
| 29 | 06401004 | 1 | Spec. PW Binding Head Screw 3 × 7 | Tornillo 3 × 7 | |
| 30 | 03910817 | 4 | Collar Head STT Screw 3 × 5 | Tornillo 3 × 5 | |
| 31 | 02142453 | 1 | Binding Head STT Screw 3 × 6 | Tornillo 3 × 6 | |
| 32 | 03501608 | 1 | Binding Head STT Screw 3 × 14 | Tornillo 3 × 14 | |
| 33 | 03941606 | 1 | PW Pan Head Screw 3 × 8 | Tornillo 3 × 8 | |
| 34 | 03501459 | 2 | PW Pan Head Screw 3 × 12 | Tornillo 3 × 12 | |
| 35 | 08662116 | 1 | E Snap Ring 3 | Anillo Candado E 3 | |
| 36 | 07571607 | 1 | CS Snap Ring 2 | Anillo Candado CS 2 | |

KNIT CONTOUR (RADAR) GROUP (A)/GRUPO DEL RADAR (A)

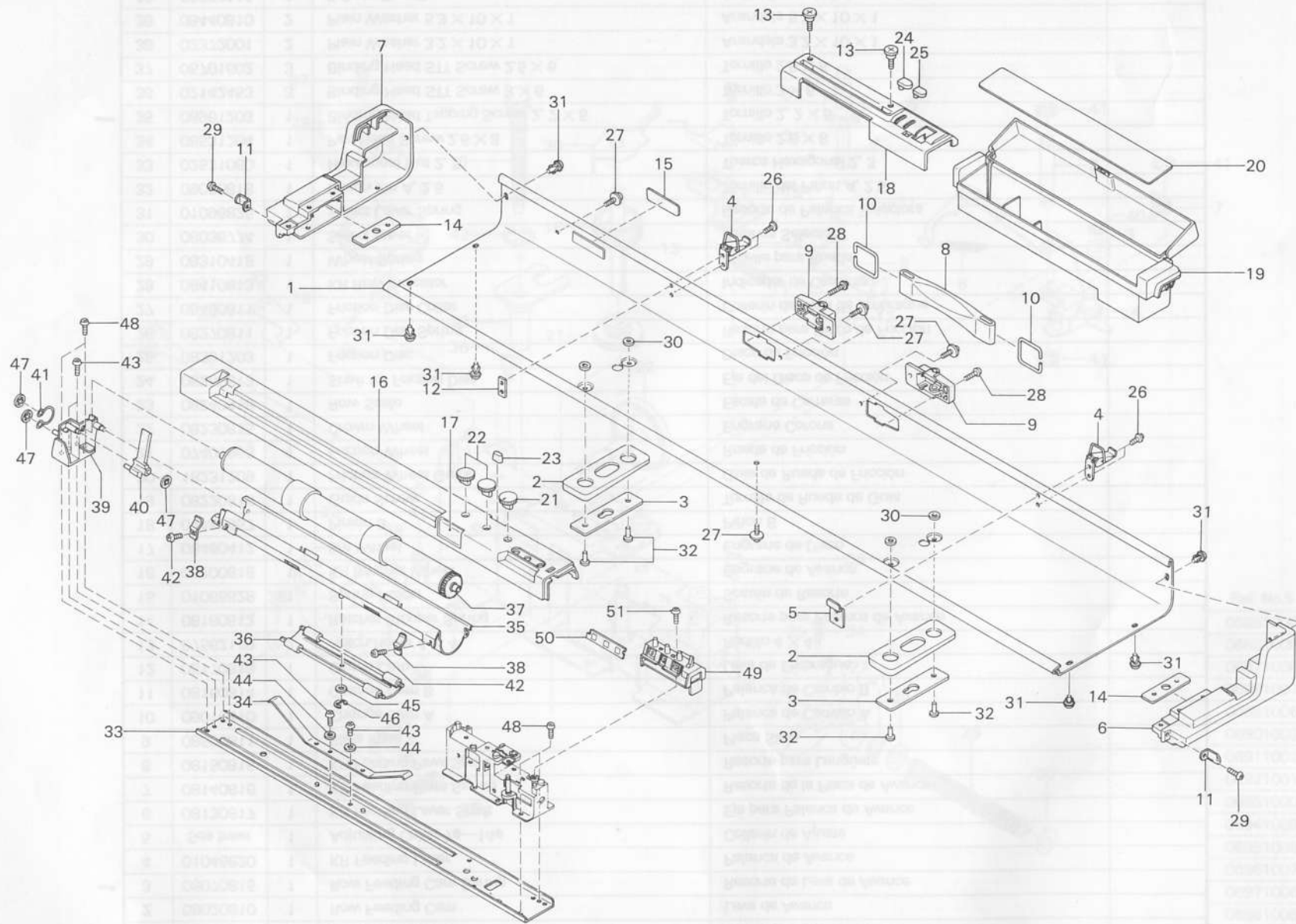


Ref. No.5

| | |
|----------|-------|
| 06851000 | 7 φ |
| 06861009 | 7.5φ |
| 06871008 | 8 φ |
| 06881007 | 8.5φ |
| 06891006 | 9 φ |
| 06901003 | 9.5φ |
| 06911002 | 10 φ |
| 06921001 | 10.5φ |
| 06931000 | 11 φ |
| 06941009 | 11.5φ |
| 06951008 | 12 φ |
| 06961007 | 12.5φ |
| 06971006 | 13 φ |
| 06981005 | 13.5φ |
| 06991004 | 14 φ |

| Ref. No. | Parts No. Prefijo | Q'ty Cant | Description | Nombre de la Pieza | Unit Price |
|----------|-------------------|-----------|--|--------------------------------|------------|
| © | 08086779 | 1 | Frame (R) Unit No.1 (No.1—42 excl. No.5, 36, 40) | Marco (Der.) Unidad No.1 | |
| 1 | 08040826 | 1 | Frame (R) Unit No.2 | Marco (Der.) Unidad No.2 | |
| 2 | 08020810 | 1 | Row Feeding Cam | Leva de Avance | |
| 3 | 08070815 | 1 | Row Feeding Cam Spring | Resorte de Leva de Avance | |
| 4 | 01046820 | 1 | KR Feeding Lever | Palanca de Avance | |
| 5 | See Inset | 1 | Adjusting Collar 7φ—14φ | Collarín de Ajuste | |
| 6 | 08130817 | 1 | KR Feeding Lever Shaft | Eje para Palanca de Avance | |
| 7 | 08140816 | 1 | KR Feeding Plate Spring | Resorte de la Placa de Avance | |
| 8 | 08150815 | 1 | KR Feeding Pawl Spring | Resorte para Lengüete | |
| 9 | 08500811 | 1 | Slide Plate | Placa Slide | |
| 10 | 09010810 | 1 | Change Cam A | Palanca de Cambio A | |
| 11 | 08160814 | 1 | Change Cam B | Palanca de Cambio B | |
| 12 | 08170813 | 1 | Clutch Cam | Leva de Embrague | |
| 13 | 07562119 | 2 | Notch Roller 4 × 4 | Rodillo 4 × 4 | |
| 14 | 08180812 | 1 | Ratchet Stopper Spring | Resorte para Palanca de Avance | |
| 15 | 01066828 | 1 | Spring Holder | Sostén de Resorte | |
| 16 | 08200818 | 1 | KR Ratchet Wheel | Engrane de Avance | |
| 17 | 08460412 | 1 | Set Wheel | Engrane de Disco | |
| 18 | 07461957 | 1 | Pinion B | Piñon B | |
| 19 | 08220816 | 1 | Guide Screw | Tornillo de Rueda de Guia | |
| 20 | 18231209 | 1 | Friction Wheel Guide | Guia de Rueda de Fricción | |
| 21 | 07401953 | 1 | Friction Wheel | Rueda de Fricción | |
| 22 | 08230815 | 1 | Crown Wheel | Engrane Corona | |
| 23 | 08240418 | 1 | Row Scale | Escala de Carreras | |
| 24 | 08250813 | 1 | Shaft for Friction Disc | Eje del Disco de Fricción | |
| 25 | 08391203 | 1 | Friction Disc | Disco de Fricción | |
| 26 | 08270811 | 1 | Friction Disc Spring | Resorte para Disco de Fricción | |
| 27 | 08430811 | 1 | Friction Disc Collar | Collarín de Leva de Embrague | |
| 28 | 08410813 | 1 | KR Row Indicator | Indicador de Carreras | |
| 29 | 08310419 | 1 | Wheel Spring | Muelle para Rueda | |
| 30 | 08036774 | 1 | Select Lever | Palanca Selectora | |
| 31 | 01096825 | 1 | Select Lever Spring | Resorte de Palanca Selectora | |
| 32 | 09030818 | 1 | Pinion Pin A, 2.5 | Tornillo del Piñon A, 2.5 | |
| 33 | 02521060 | 1 | Hexagonal Nut 2, 3 | Tuerca Hexagonal 2, 3 | |
| 34 | 08531204 | 1 | Pan Head Screw 2.6 × 8 | Tornillo 2.6 × 8 | |
| 35 | 08961203 | 1 | Binding Head Tapping Screw 2, 2 × 5 | Tornillo 2, 2 × 5 | |
| 36 | 02142453 | 3 | Binding Head STT Screw 3 × 6 | Tornillo 3 × 6 | |
| 37 | 05701602 | 3 | Binding Head STT Screw 2.5 × 6 | Tornillo 2.5 × 6 | |
| 38 | 02372001 | 2 | Plain Washer 3.2 × 10 × 1 | Arandela 3.2 × 10 × 1 | |
| 39 | 08440810 | 2 | Plain Washer 5.3 × 10 × 1 | Arandela 5.3 × 10 × 1 | |
| 40 | 08662116 | 1 | E Snap Ring 3 | Anillo Candado E 3 | |
| 41 | 08672115 | 5 | E Snap Ring 4 | Anillo Candado E 4 | |
| 42 | 08262115 | 1 | E Snap Ring 6 | Anillo Candado E 6 | |

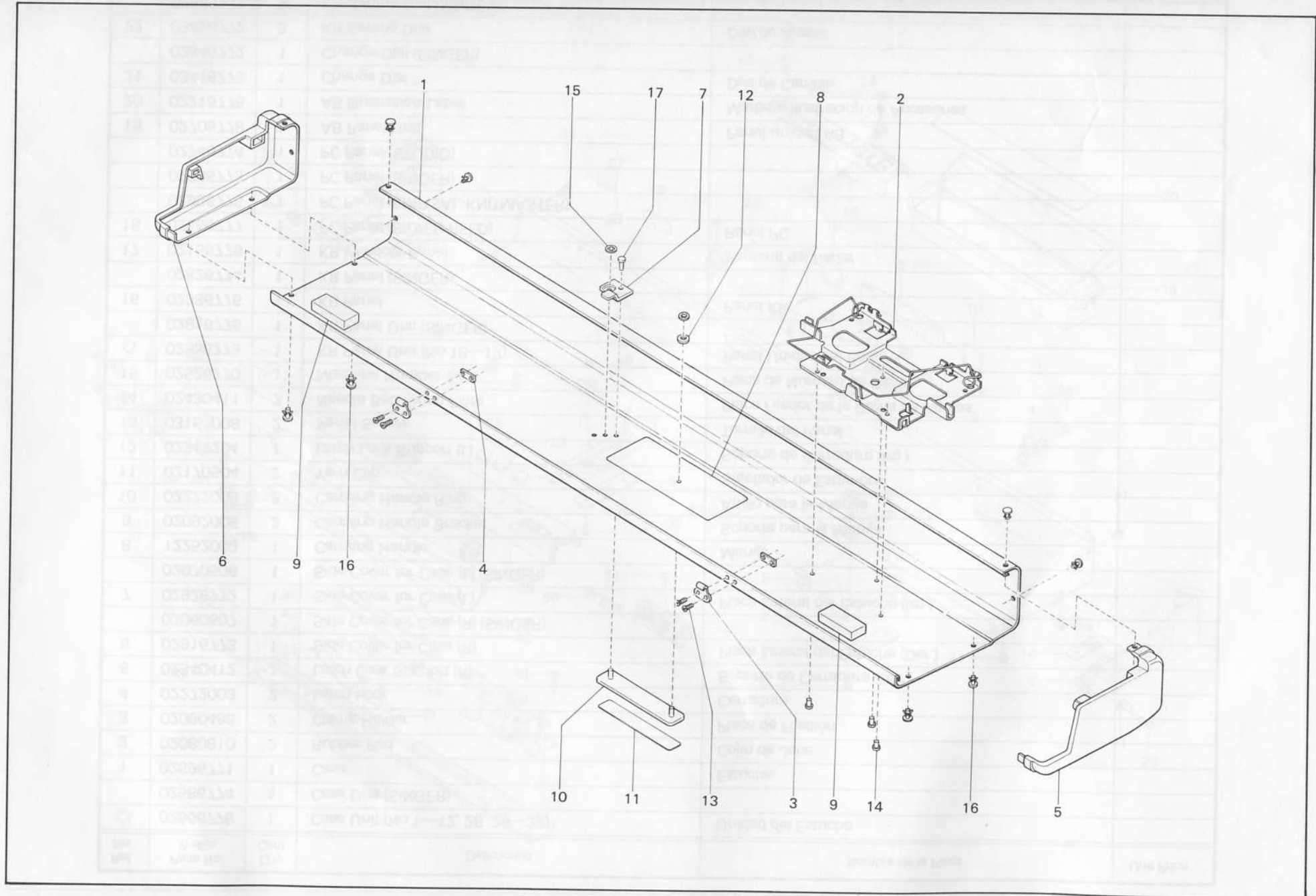
CASE & KNIT CONTOUR (RADAR) GROUP (B)/GRUPO DEL ESTUCHE Y RADAR (B)



| Ref. No. | Parts No. Prefijo | Q'ty Cant | Description | Nombre de la Pieza | Unit Price |
|----------|-------------------|-----------|----------------------------------|------------------------------------|------------|
| ◎ | 02566776 | 1 | Case Unit (No.1—12, 26, 29—32) | Unidad del Estuche | |
| | 02586774 | 1 | Case Unit (SINGER) | | |
| 1 | 02696771 | 1 | Case | Estuche | |
| 2 | 02080810 | 2 | Rubber Pad | Cojin de Jebe | |
| 3 | 02090496 | 2 | Clamp Holder | Placa de Fijación | |
| 4 | 02272003 | 2 | Latch Lock | Cerradura | |
| 5 | 02340412 | 1 | Latch Lock Support (R) | Soporte de Cerradura (Der.) | |
| 6 | 02916773 | 1 | Side Cover for Case (R) | Placa Lateral del Estuche (Der.) | |
| | 02060507 | 1 | Side Cover for Case (R) (SINGER) | | |
| 7 | 02926772 | 1 | Side Cover for Case (L) | Placa Lateral del Estuche (Izq.) | |
| | 02070506 | 1 | Side Cover for Case (L) (SINGER) | | |
| 8 | 12252003 | 1 | Carrying Handle | Manija | |
| 9 | 02092005 | 2 | Carrying Handle Bracket | Soporte para la Manija | |
| 10 | 02222008 | 2 | Carrying Handle Ring | Anillo para la Manija | |
| 11 | 02170504 | 2 | Yarn Clip | Sujetador de Estambre | |
| 12 | 02341204 | 1 | Latch Lock Support (L) | Soporte de Cerradura (Izq.) | |
| 13 | 03151008 | 2 | Panel Screw | Tornillo del Panel | |
| 14 | 02430411 | 2 | Needle Bed Fixing Plate | Placa Fijador de la Cama de Agujas | |
| 15 | 02526770 | 1 | Machine Number Seal | Placa de Número de Serie | |
| ○ | 02536779 | 1 | KR Panel Unit (No.16—17) | Panel Unidad del Radar | |
| | 02816775 | 1 | KR Panel Unit (SINGER) | | |
| 16 | 02986776 | 1 | KR Panel | Panel KR | |
| | 02826774 | 1 | KR Panel (SINGER) | | |
| 17 | 02156776 | 1 | KR Window Panel | Ventana del Radar | |
| 18 | 02556777 | 1 | PC Panel (SILVER REED) | Panel PC | |
| | 02996775 | 1 | PC Panel (EMPISAL-KNITMASTER) | | |
| | 02836773 | 1 | PC Panel (SINGER) | | |
| | 02746774 | 1 | PC Panel (STUDIO) | | |
| 19 | 02706778 | 1 | AB Panel Unit | Panel unidad AB | |
| 20 | 02216778 | 1 | AB Illustration Label | Marbete Ilustración de Accesorios | |
| 21 | 03416773 | 1 | Change Dial | Dial de Cambio | |
| | 02846772 | 1 | Change Dial (SINGER) | | |
| 22 | 03426772 | 2 | KR Setting Dial | Dial de Ajuste | |
| | 02856771 | 2 | KR Setting Dial (SINGER) | | |
| 23 | 08316770 | 1 | Select Lever Knob | Botón de Palanca Selectora | |
| | 08216772 | 1 | Select Lever Knob (SINGER) | | |

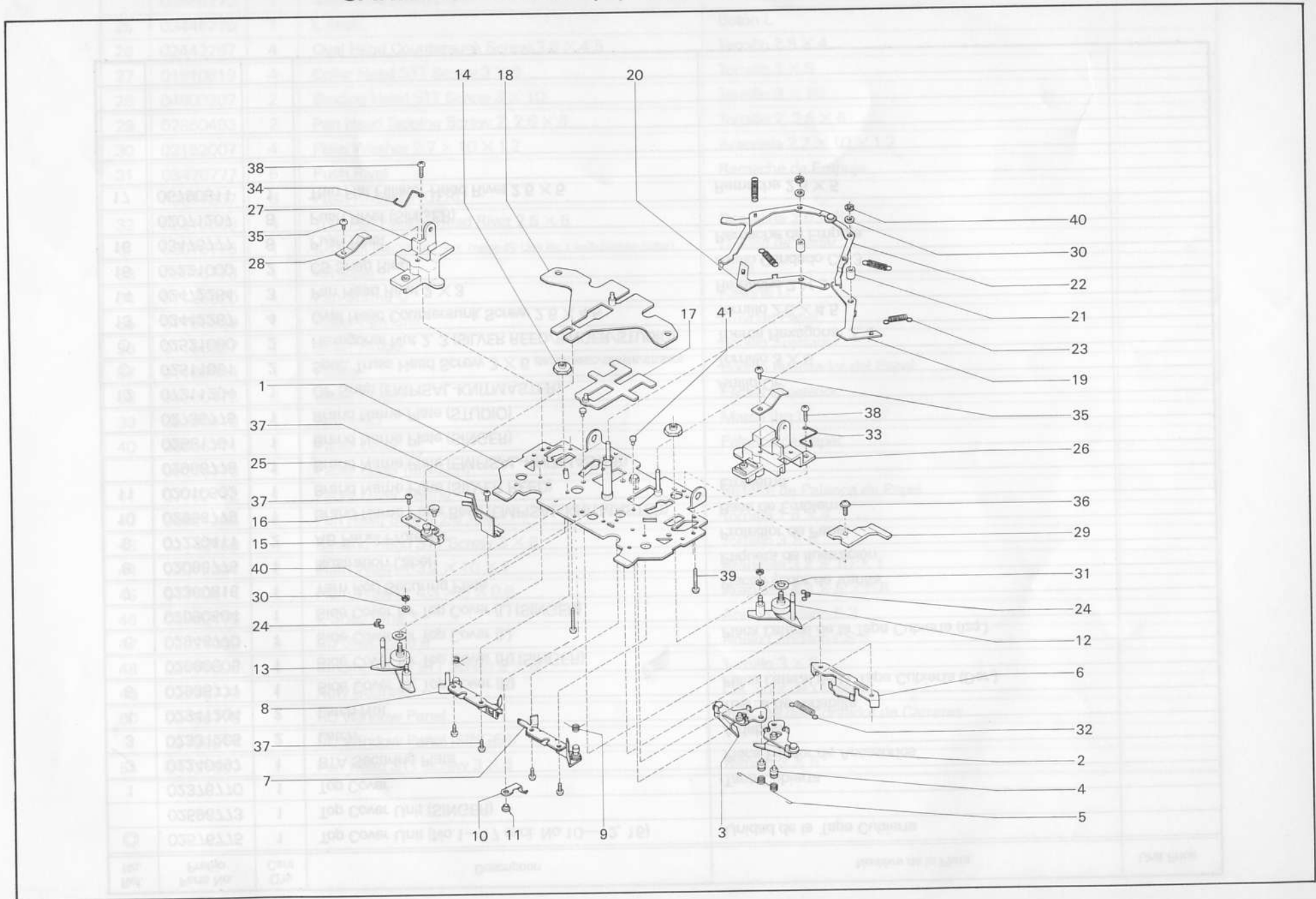
| | | | | |
|----|----------|---|---|----------------------------------|
| | 02856771 | 2 | KR Setting Dial (SINGER) | |
| 23 | 08316770 | 1 | Select Lever Knob | Botón de Palanca Selectora |
| | 08216772 | 1 | Select Lever Knob (SINGER) | |
| 24 | 03436771 | 1 | Stop Knob | Botón de Parada |
| | 02866770 | 1 | Stop Knob (SINGER) | |
| 25 | 03446770 | 1 | L Knob | Botón L |
| 26 | 02442267 | 4 | Oval Head Countersunk Screw 2.6 × 4.5 | Tornillo 2.6 × 4 |
| 27 | 01910819 | 4 | Collar Head STT Screw 3 × 8 | Tornillo 3 × 8 |
| 28 | 04800207 | 2 | Binding Head STT Screw 3 × 10 | Tornillo 3 × 10 |
| 29 | 02850493 | 2 | Pan Head Tapping Screw 2, 2.6 × 6 | Tornillo 2, 2.6 × 6 |
| 30 | 02152007 | 4 | Plain Washer 2.7 × 10 × 1.2 | Arandela 2.7 × 10 × 1.2 |
| 31 | 03476777 | 6 | Push Rivet | Remache de Empuje |
| | 02071207 | 6 | Push Rivet (SINGER) | |
| 32 | 02212009 | 4 | Thin Flat Fillister Head Rivet 2.6 × 5 | Remache 2.6 × 5 |
| ○ | 08016776 | 1 | KR Unit (No.33—47 incl. Frame (R) Unit No.1 w/Adjusting Collar) | Unidad de Radar |
| 33 | 08046773 | 1 | KR Base | Base |
| 34 | 01126820 | 1 | Pan Spring U | Resorte U |
| 35 | 01136829 | 1 | Roller Pan Unit | Guía de Papel |
| 36 | 01156827 | 1 | Roller Holder | Rodillo Sujetador |
| 37 | 01186824 | 1 | Platen | Rodillo Avanzador del Papel |
| 38 | 08380412 | 2 | Scale Holder | Escala Sujetador |
| 39 | 08290819 | 1 | Frame (L) | Marco (Izq.) |
| 40 | 08306771 | 1 | Paper Lever | Palanca de Papel |
| | 08206773 | 1 | Paper Lever (SINGER) | |
| 41 | 07792112 | 1 | Paper Lever Spring | Resorte de Palanca de Papel |
| 42 | 08521205 | 2 | Pan Head Screw 2.6 × 4 | Tornillo 2.6 × 4 |
| 43 | 02142453 | 4 | Binding Head STT Screw 3 × 6 | Tornillo 3 × 6 |
| 44 | 02372001 | 2 | Plain Washer 3.2 × 10 × 1 | Arandela 3.2 × 10 × 1 |
| 45 | 04770814 | 1 | Plain Washer 4.3 × 8 × 0.8 | Arandela 4.3 × 8 × 0.8 |
| 46 | 08662116 | 1 | E Snap Ring 3 | Anillo Candado E 3 |
| 47 | 02221000 | 3 | CS Snap Ring 3 | Anillo Candado CS 3 |
| 48 | 03171006 | 4 | Binding Head STT Screw 3 × 8 | Tornillo 3 × 8 |
| 49 | 02296770 | 1 | Row Counter | Contador de Carreras |
| 50 | 03466778 | 1 | RC Window Panel | Ventana del Contador de Carreras |
| | 02790814 | 1 | RC Window Panel (SINGER) | |
| 51 | 04721007 | 1 | Pan Head STT Screw 3 × 6 | Tornillo 3 × 6 |

TOP COVER GROUP/GRUPO DE LA TAPA CUBIERTA



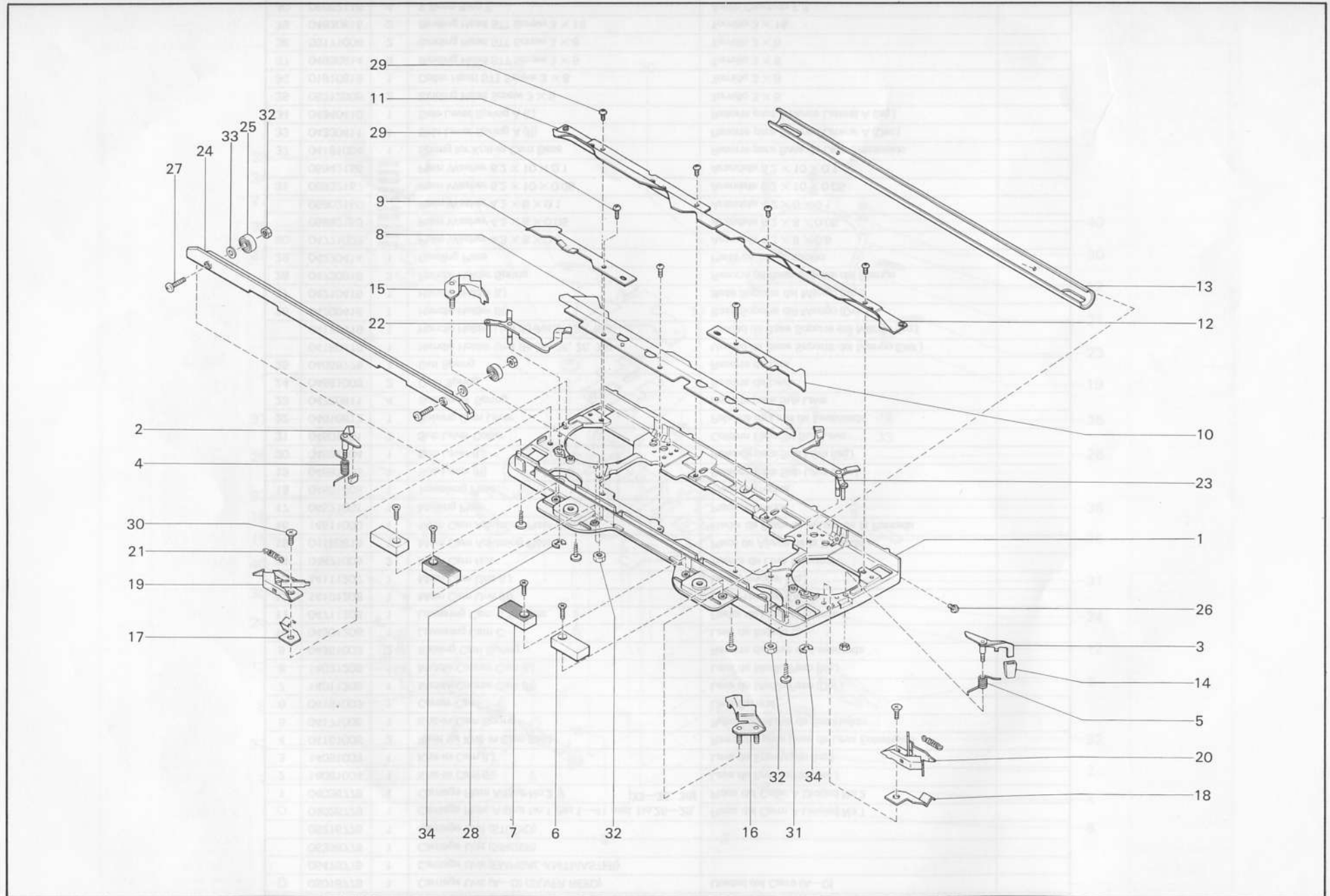
| Ref. No. | Parts No. Prefijo | Q'ty Cant | Description | Nombre de la Pieza | Unit Price |
|----------|-------------------|-----------|--|--|------------|
| ⊙ | 02576775 | 1 | Top Cover Unit (No.1—17 excl. No.10—12, 15) | Unidad de la Tapa Cubierta | |
| | 02596773 | 1 | Top Cover Unit (SINGER) | | |
| 1 | 02376770 | 1 | Top Cover | Tapa Cubierta | |
| 2 | 02240497 | 1 | BTA Securing Plate | Placa Fijador de Accesorios | |
| 3 | 02331205 | 2 | Latch | Aldabilla | |
| 4 | 02341204 | 2 | Latch Nut | Tuerca de Aldabilla | |
| 5 | 02936771 | 1 | Side Cover for Top Cover (R) | Placa Lateral de la Tapa Cubierta (Der.) | |
| | 02080505 | 1 | Side Cover for Top Cover (R) (SINGER) | | |
| 6 | 02946770 | 1 | Side Cover for Top Cover (L) | Placa Lateral de la Tapa Cubierta (Izq.) | |
| | 02090504 | 1 | Side Cover for Top Cover (L) (SINGER) | | |
| 7 | 02360816 | 1 | Yarn Rod Securing Plate | Placa Fijador de Varilla | |
| 8 | 02086775 | 1 | Illustration Label | Etiqueta de Ilustración | |
| 9 | 07220411 | 2 | AB Panel Protector | Protector de Panel | |
| 10 | 02956779 | 1 | Brand Name Plate Base (EMPISAL-KNITMASTER) | Base de Emblema | |
| 11 | 02010502 | 1 | Brand Name Plate (SILVER REED) | Emblema | |
| | 02966778 | 1 | Brand Name Plate (EMPISAL-KNITMASTER) | | |
| | 02581791 | 1 | Brand Name Plate (SINGER) | | |
| | 02736775 | 1 | Brand Name Plate (STUDIO) | | |
| 12 | 07211204 | 1 | OP Snap (EMPISAL-KNITMASTER) | Anillo OP | |
| ○ | 02511061 | 2 | Spec. Truss Head Screw 3 × 6 (SILVER REED/SINGER/STUDIO) | Tornillo 3 × 6 | |
| ○ | 02521060 | 2 | Hexagonal Nut 2, 3 (SILVER REED/SINGER/STUDIO) | Tuerca Hexagonal 2, 3 | |
| 13 | 02442267 | 4 | Oval Head Countersunk Screw 2.6 × 4.5 | Tornillo 2.6 × 4.5 | |
| 14 | 02472264 | 3 | Pan Head Rivet 2 × 3 | Remache 2 × 3 | |
| 15 | 02221000 | 2 | CS Snap Ring | Anillo Candado CS 3 | |
| 16 | 03476777 | 8 | Push Rivet | Remache de Empuje | |
| | 02071207 | 8 | Push Rivet (SINGER) | | |
| 17 | 05790811 | 1 | Thin Flat Fillister Head Rivet 2.6 × 5 | Remache 2.6 × 5 | |
| | | | | | |
| | | | | | |
| | | | | | |
| | | | | | |
| | | | | | |

CARRIAGE GROUP (A)/GRUPO DEL CARRO (A)



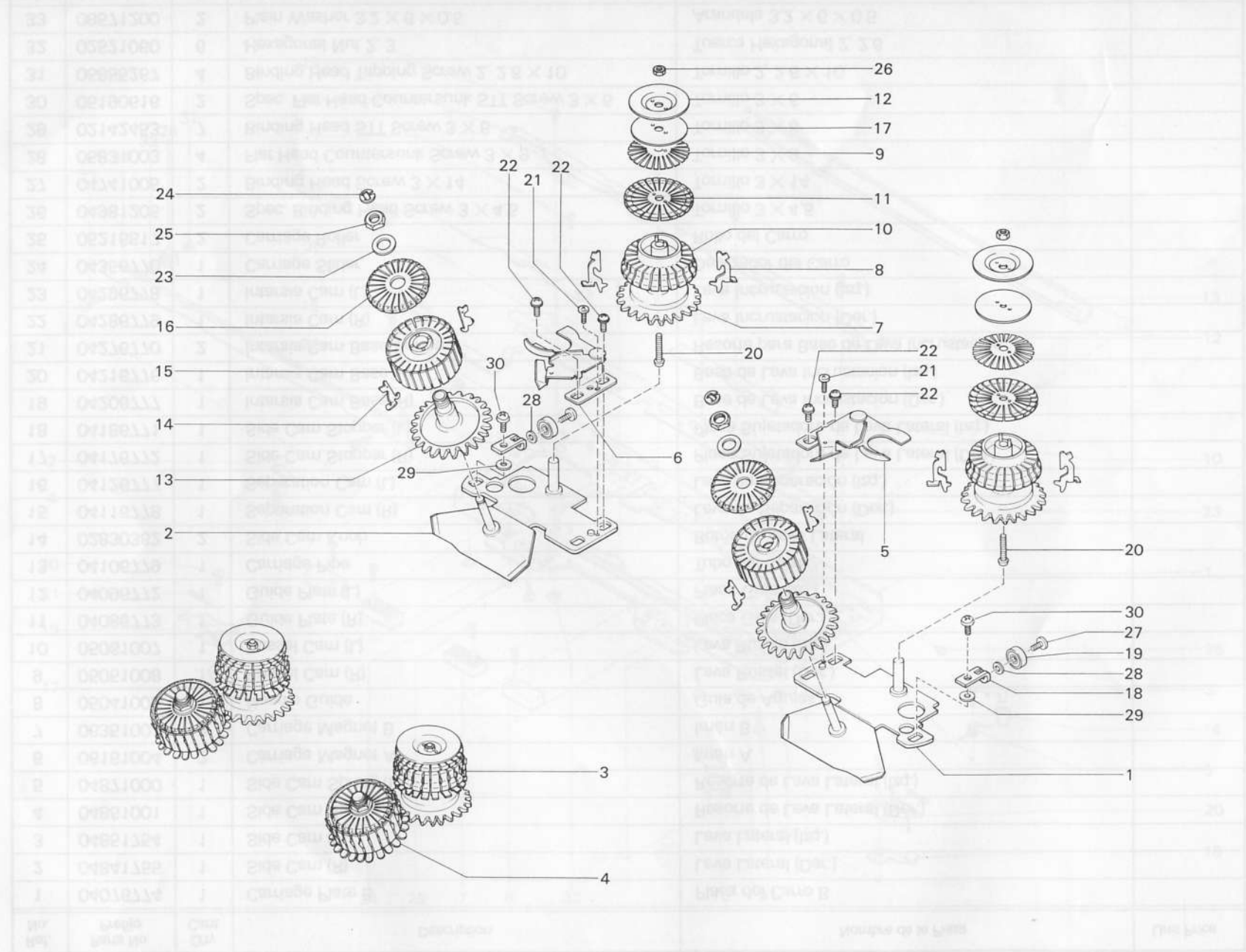
| Ref. No. | Parts No. Prefijo | Q'ty Cant | Description | Nombre de la Pieza | Unit Price |
|----------|-------------------|-------------|--|---|------------|
| ⊙ | 05016779 | 1 | Carriage Unit (A—D) (SILVER REED) | Unidad del Carro (A—D) | |
| | 05476775 | 1 | Carriage Unit (EMPISAL-KNITMASTER) | | |
| | 05356779 | 1 | Carriage Unit (SINGER) | | |
| | 05216775 | 1 | Carriage Unit (STUDIO) | | |
| ○ | 04026779 | 1 | Carriage Plate A Unit No.1 (No.1—41 excl. No.26—29, 33—36, 38) | Placa del Carro A Unidad No.1 | |
| 1 | 04036778 | 1 | Carriage Plate A Unit No.2 | Placa del Carro A Unidad No.2 | |
| 2 | 14081004 | 1 | Knit-in Cam (R) | Leva de Entretejido (Der.) | |
| 3 | 14091003 | 1 | Knit-in Cam (L) | Leva de Entretejido (Izq.) | |
| 4 | 04161006 | 2 | Rivet for Knit-in Cam Base | Remache para Base de Leva Entretejido | |
| 5 | 04171005 | 1 | Knit-in Cam Spring | Resorte de Leva de Entretejido | |
| 6 | 04191003 | 1 | Center Cam | Leva Central | |
| 7 | 14011209 | 1 | Middle Course Cam (R) | Leva de Medio Paso (Der.) | |
| 8 | 14021208 | 1 | Middle Course Cam (L) | Leva de Medio Paso (Izq.) | |
| 9 | 04351003 | 2 | Raising Cam Spring | Resorte de Leva de Levantada | |
| 10 | 04301206 | 1 | Lowering Cam C | Leva de Bajada C | |
| 11 | 04711206 | 1 | Lowering Cam C Stopper | Fiador de Leva de Bajada C | |
| 12 | 14101208 | 1 | Main Cam Unit (R) | Leva Principal (Der.) | |
| 13 | 14111207 | 1 | Main Cam Unit (L) | Leva Principal (Izq.) | |
| 14 | 04471009 | 2 | Main Cam Nut | Tuerca de Leva Principal | |
| 15 | 04160818 | 1 | Main Cam Adjusting Plate | Placa de Ajuste de la Puntada | |
| 16 | 14511000 | 1 | Main Cam Adjusting Plate Stopper | Fiador de Placa de Ajuste de la Puntada | |
| 17 | 04521001 | 1 | Moving Plate | Placa Mover | |
| 18 | 04551008 | 1 | Travelling Plate | Placa Corrediza | |
| 19 | 04581005 | 1 | Sub Lever (R) | Palanca para Sub Leva (Der.) | |
| 20 | 04591004 | 1 | Sub Lever (L) | Palanca para Sub Leva (Izq.) | |
| 21 | 04601001 | 2 | Sub Lever Collar | Collarin Espacial Sub Leva | |
| 22 | 04610812 | 1 | Raising Cam Lever | Palanca de Leva de Levantada | |
| 23 | 04720611 | 4 | Sub Lever Spring | Resorte para Sub Leva | |
| 24 | 04681003 | 2 | Cam Spring | Resorte de Leva | |
| 25 | 04056776 | 1 | Dial Spring | Resorte de Dial | |
| | 04180410 | 1 | Handle Holder Unit (R) (No.26, 28, 35) | Unidad de Base Soporte del Mango (Der.) | |
| | 04190419 | 1 | Handle Holder Unit (L) (No.27, 28, 35) | Unidad de Base Soporte del Mango (Izq.) | |
| 26 | 04200416 | 1 | Handle Holder (R) | Base Soporte del Mango (Der.) | |
| 27 | 04210415 | 1 | Handle Holder (L) | Base Soporte del Mango (Izq.) | |
| 28 | 04730818 | 2 | Handle Holder Spring | Resorte de Base Soporte del Mango | |
| 29 | 04220414 | 1 | Feeding Plate | Placa de Alimentación | |
| 30 | 04771002 | conditional | Plain Washer 4.3 × 8 × 0.5 | Arandela 4.3 × 8 × 0.5 | |
| | 05892153 | conditional | Plain Washer 4.2 × 8 × 0.05 | Arandela 4.2 × 8 × 0.05 | |
| | 05902150 | conditional | Plain Washer 4.2 × 8 × 0.1 | Arandela 4.2 × 8 × 0.1 | |
| 31 | 05932157 | conditional | Plain Washer 6.2 × 10 × 0.05 | Arandela 6.2 × 10 × 0.05 | |
| | 05942156 | conditional | Plain Washer 6.2 × 10 × 0.1 | Arandela 6.2 × 10 × 0.1 | |
| 32 | 04181004 | 1 | Spring for Knit-in Cam Base | Resorte para Base de Leva Entretejido | |
| 33 | 04330411 | 1 | Side Lever Spring A (R) | Resorte para Palanca Lateral A (Der.) | |
| 34 | 04340410 | 1 | Side Lever Spring A (L) | Resorte para Palanca Lateral A (Izq.) | |
| 35 | 05212006 | 2 | Binding Head Screw 3 × 5 | Tornillo 3 × 5 | |
| 36 | 01910819 | 1 | Collar Head STT Screw 3 × 8 | Tornillo 3 × 8 | |
| 37 | 04930814 | 6 | Binding Head STT Screw 3 × 5 | Tornillo 3 × 5 | |
| 38 | 03171006 | 2 | Binding Head STT Screw 3 × 8 | Tornillo 3 × 8 | |
| 39 | 04920815 | 2 | Binding Head STT Screw 3 × 16 | Tornillo 3 × 16 | |
| 40 | 08662116 | 4 | E Snap Ring 3 | Anillo Candeado E 3 | |
| 41 | 05791009 | 2 | Thin Flat Fillister Head Rivet 2.6 × 4 | Remache 2.6 × 4 | |

CARRIAGE GROUP (B)/GRUPO DEL CARRO (B)



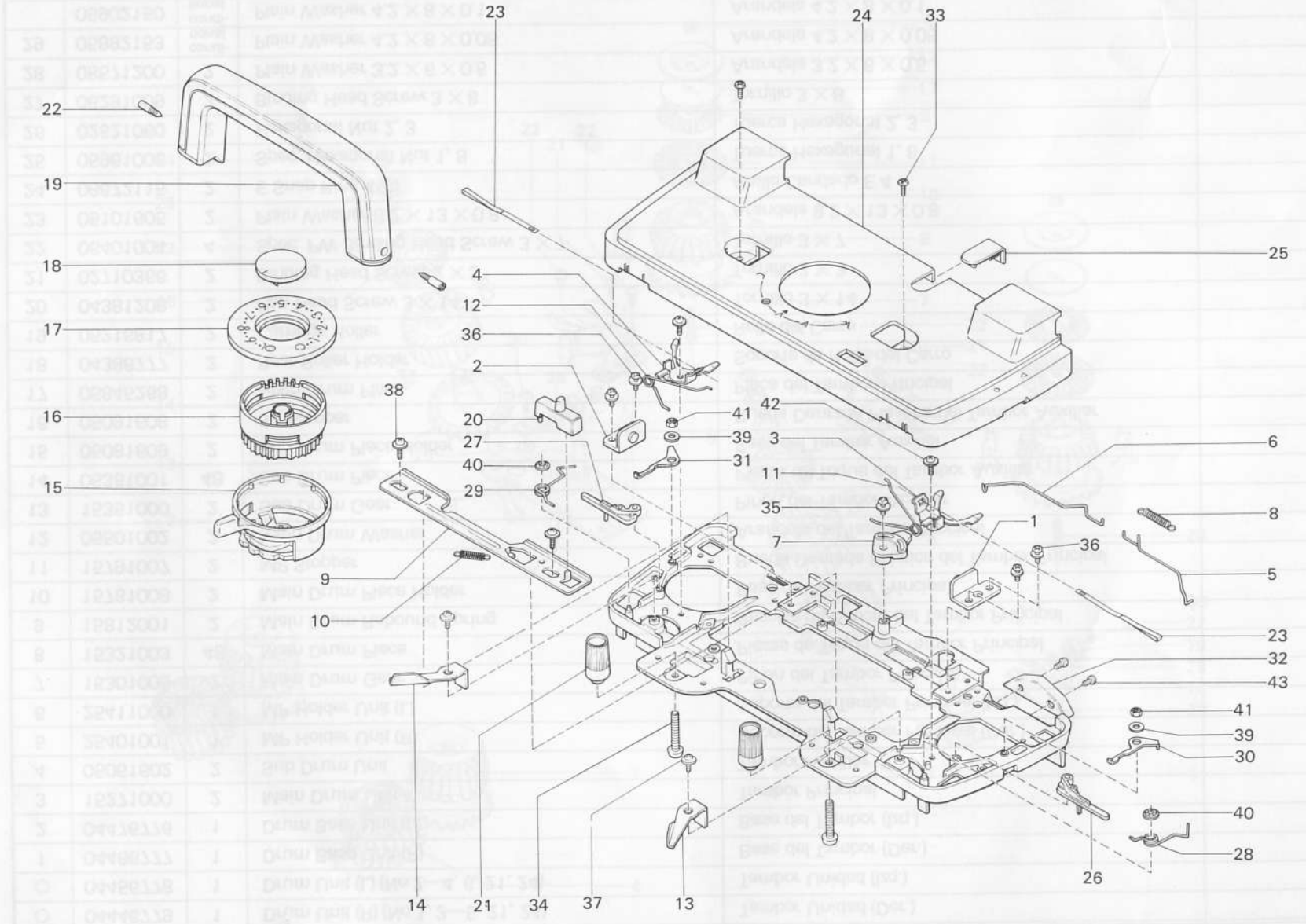
| Ref. No. | Parts No. Prefijo | Q'ty Cant | Description | Nombre de la Pieza | Unit Price |
|----------|-------------------|-----------|---|---|------------|
| 1 | 04076774 | 1 | Carriage Plate B | Placa del Carro B | |
| 2 | 04841755 | 1 | Side Cam (R) | Leva Lateral (Der.) | |
| 3 | 04851754 | 1 | Side Cam (L) | Leva Lateral (Izq.) | |
| 4 | 04861001 | 1 | Side Cam Spring (R) | Resorte de Leva Lateral (Der.) | |
| 5 | 04871000 | 1 | Side Cam Spring (L) | Resorte de Leva Lateral (Izq.) | |
| 6 | 06161004 | 2 | Carriage Magnet A | Imán A | |
| 7 | 06351001 | 2 | Carriage Magnet B | Imán B | |
| 8 | 05041009 | 1 | Needle Guide | Guía de Aguja | |
| 9 | 05051008 | 1 | Russel Cam (R) | Leva Russel (Der.) | |
| 10 | 05061007 | 1 | Russel Cam (L) | Leva Russel (Izq.) | |
| 11 | 04086773 | 1 | Guide Plate (R) | Placa Guía (Der.) | |
| 12 | 04096772 | 1 | Guide Plate (L) | Placa Guía (Izq.) | |
| 13 | 04106779 | 1 | Carriage Pipe | Tubo del Carro | |
| 14 | 02830362 | 2 | Side Cam Knob | Botón de Leva Lateral | |
| 15 | 04116778 | 1 | Separation Cam (R) | Leva de Separación (Der.) | |
| 16 | 04126777 | 1 | Separation Cam (L) | Leva de Separación (Izq.) | |
| 17 | 04176772 | 1 | Side Cam Stopper (R) | Placa Sujetadora de Leva Lateral (Der.) | |
| 18 | 04186771 | 1 | Side Cam Stopper (L) | Placa Sujetadora de Leva Lateral (Izq.) | |
| 19 | 04206777 | 1 | Intarsia Cam Base (R) | Base de Leva Incrustacion (Der.) | |
| 20 | 04216776 | 1 | Intarsia Cam Base (L) | Base de Leva Incrustacion (Izq.) | |
| 21 | 04276770 | 2 | Intarsia Cam Base Spring | Resorte para Base de Leva Incrustacion | |
| 22 | 04286779 | 1 | Intarsia Cam (R) | Leva Incrustacion (Der.) | |
| 23 | 04296778 | 1 | Intarsia Cam (L) | Leva Incrustacion (Izq.) | |
| 24 | 04356770 | 1 | Carriage Slider | Deslizador del Carro | |
| 25 | 05216817 | 2 | Carriage Roller | Rollo del Carro | |
| 26 | 04981205 | 2 | Spec. Binding Head Screw 3 × 4.5 | Tornillo 3 × 4.5 | |
| 27 | 04741005 | 2 | Binding Head Screw 3 × 14 | Tornillo 3 × 14 | |
| 28 | 05831003 | 4 | Flat Head Countersunk Screw 3 × 9 | Tornillo 3 × 9 | |
| 29 | 02142453 | 7 | Binding Head STT Screw 3 × 6 | Tornillo 3 × 6 | |
| 30 | 05190616 | 2 | Spec. Flat Head Countersunk STT Screw 3 × 6 | Tornillo 3 × 6 | |
| 31 | 05855267 | 4 | Binding Head Tapping Screw 2, 2.6 × 10 | Tornillo 2, 2.6 × 10 | |
| 32 | 02521060 | 6 | Hexagonal Nut 2, 3 | Tuerca Hexagonal 2, 2.6 | |
| 33 | 08571200 | 2 | Plain Washer 3.2 × 6 × 0.5 | Arandela 3.2 × 6 × 0.5 | |
| 34 | 08662116 | 2 | E Snap Ring 3 | Anillo Candado E 3 | |

CARRIAGE GROUP (C)/GRUPO DEL CARRO (C)



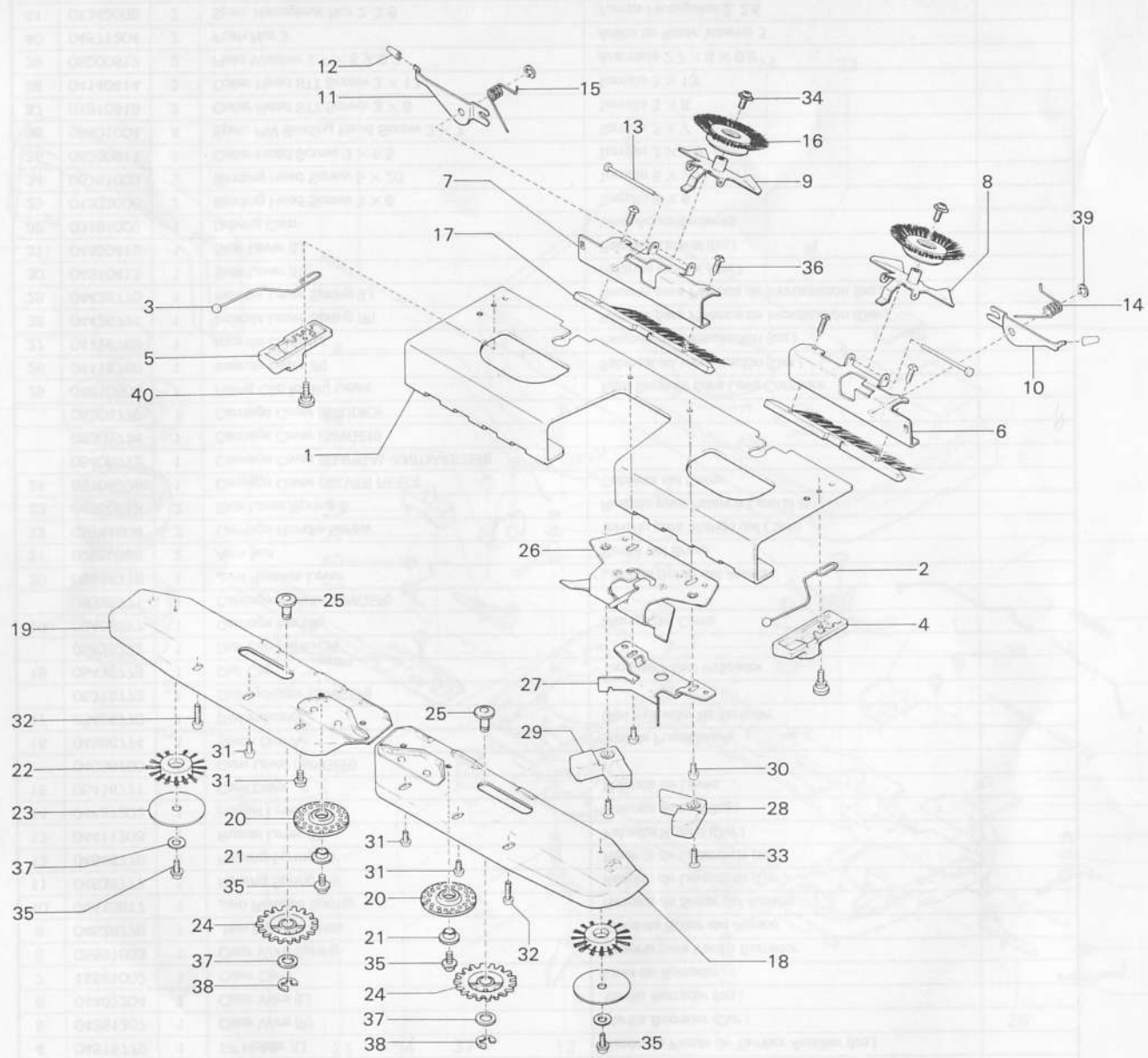
| Ref. No. | Parts No. Prefijo | Q'ty Cant | Description | Nombre de la Pieza | Unit Price |
|----------|-------------------|-------------|-----------------------------------|---|------------|
| ○ | 04446779 | 1 | Drum Unit (R) (No.1, 3—5, 21, 24) | Tambor Unidad (Der.) | |
| ○ | 04456778 | 1 | Drum Unit (L) (No.2—4, 6, 21, 24) | Tambor Unidad (Izq.) | |
| 1 | 04466777 | 1 | Drum Base Unit (R) | Base del Tambor (Der.) | |
| 2 | 04476776 | 1 | Drum Base Unit (L) | Base del Tambor (Izq.) | |
| 3 | 15271000 | 2 | Main Drum Unit | Tambor Principal | |
| 4 | 05051602 | 2 | Sub Drum Unit | Tambor Auxiliar | |
| 5 | 25401001 | 1 | MP Holder Unit (R) | Soporte del Tambor Principal (Der.) | |
| 6 | 25411000 | 1 | MP Holder Unit (L) | Soporte del Tambor Principal (Izq.) | |
| 7 | 15301005 | 2 | Main Drum Gear | Piñon del Tambor Principal | |
| 8 | 15321003 | 48 | Main Drum Piece | Piezas de Toque del Tambor Principal | |
| 9 | 15812001 | 2 | Main Drum Rebound Spring | Resorte de Rebote del Tambor Principal | |
| 10 | 15781008 | 2 | Main Drum Piece Holder | Base del Tambor Principal | |
| 11 | 15791007 | 2 | MP Stopper | Rueda Dentada Plástica del Tambor Principal | |
| 12 | 05501002 | 2 | Main Drum Washer | Arandela del Tambor Principal | |
| 13 | 15351000 | 2 | Sub Drum Gear | Piñon del Tambor Auxiliar | |
| 14 | 05361001 | 48 | Sub Drum Piece | Piezas de Toque del Tambor Auxiliar | |
| 15 | 05081609 | 2 | Sub Drum Piece Holder | Base del Tambor Auxiliar | |
| 16 | 05091608 | 2 | SP Stopper | Rueda Dentada Plástica del Tambor Auxiliar | |
| 17 | 05845268 | 2 | Main Drum Plate | Placa del Tambor Principal | |
| 18 | 04386777 | 2 | Rear Roller Holder | Soporte de Rollo del Carro | |
| 19 | 05216817 | 2 | Carriage Roller | Rollo del Carro | |
| 20 | 04381208 | 2 | Pan Head Screw 3 × 14 | Tornillo 3 × 14 | |
| 21 | 02710366 | 2 | Binding Head Screw 2 × 3 | Tornillo 2 × 3 | |
| 22 | 06401004 | 4 | Spec. PW Binding Head Screw 3 × 7 | Tornillo 3 × 7 | |
| 23 | 05101605 | 2 | Plain Washer 8.2 × 13 × 0.8 | Arandela 8.2 × 13 × 0.8 | |
| 24 | 08672115 | 2 | E Snap Ring 4 | Anillo Candado E 4 | |
| 25 | 05961008 | 2 | Spec. Hexagonal Nut 1, 8 | Tuerca Hexagonal 1, 8 | |
| 26 | 02521060 | 2 | Hexagonal Nut 2, 3 | Tuerca Hexagonal 2, 3 | |
| 27 | 06291009 | 2 | Binding Head Screw 3 × 8 | Tornillo 3 × 8 | |
| 28 | 08571200 | 2 | Plain Washer 3.2 × 6 × 0.5 | Arandela 3.2 × 6 × 0.5 | |
| 29 | 05892153 | conditional | Plain Washer 4.2 × 8 × 0.05 | Arandela 4.2 × 8 × 0.05 | |
| | 05902150 | conditional | Plain Washer 4.2 × 8 × 0.1 | Arandela 4.2 × 8 × 0.1 | |
| | 05912159 | conditional | Plain Washer 4.2 × 8 × 0.2 | Arandela 4.2 × 8 × 0.2 | |
| 30 | 06291009 | 2 | Binding Head Screw 3 × 8 | Tornillo 3 × 8 | |

CARRIAGE GROUP (D)/GRUPO DEL CARRO (D)



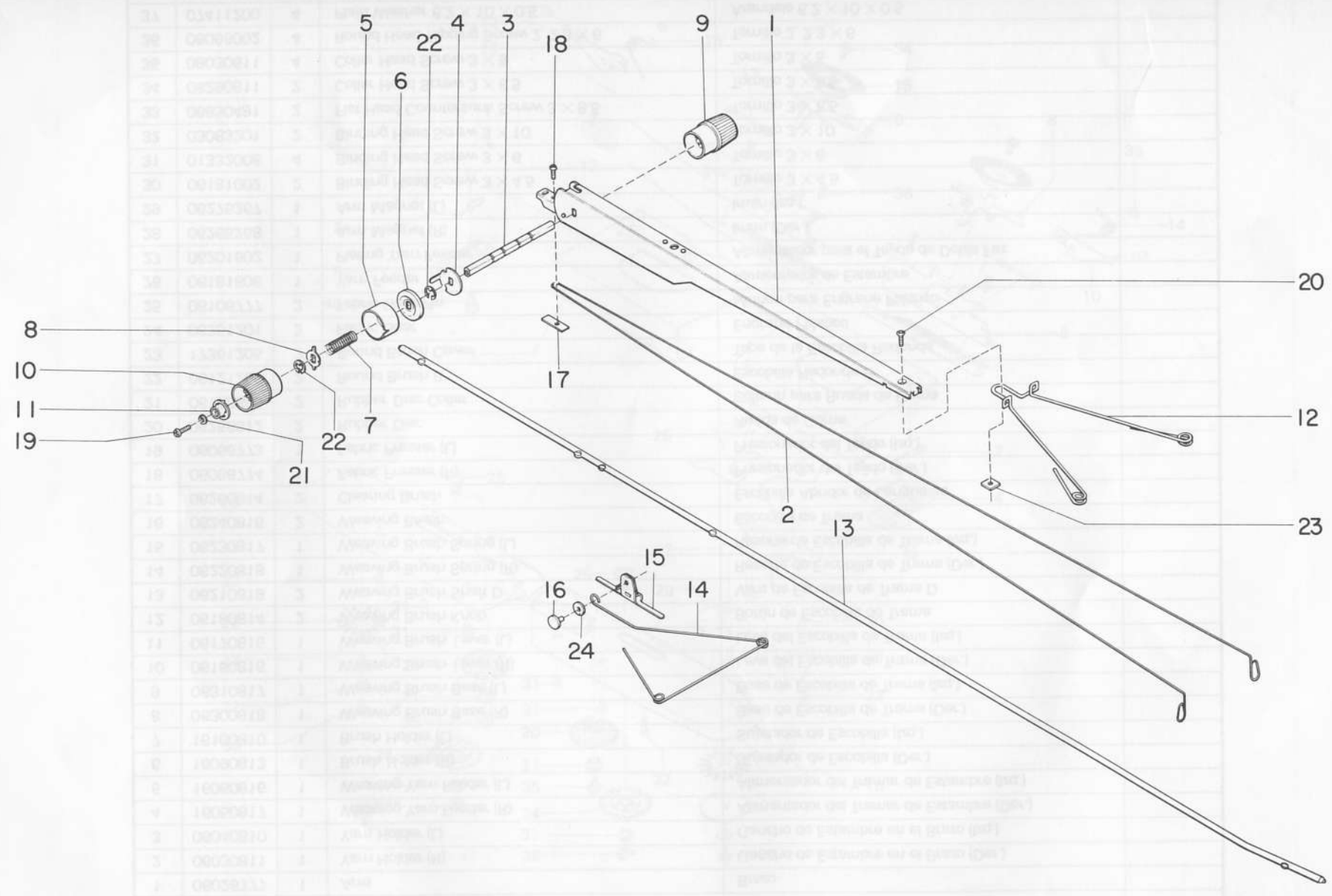
| Ref. No. | Parts No. Prefijo | Qty Cant | Description | Nombre de la Pieza | Unit Price |
|----------|-------------------|----------|-------------------------------------|---|------------|
| 1 | 04730610 | 1 | Carriage Plate A Holder (R) | Placa Soporte del Carro (Der.) | |
| 2 | 04740619 | 1 | Carriage Plate A Holder (L) | Placa Soporte del Carro (Izq.) | |
| 3 | 04506770 | 1 | SP Holder (R) | Retén de Piezas de Tambor Auxiliar (Der.) | |
| 4 | 04516779 | 1 | SP Holder (L) | Retén de Piezas de Tambor Auxiliar (Izq.) | |
| 5 | 04391207 | 1 | Clear Wire (R) | Varilla Borrador (Der.) | |
| 6 | 04401204 | 1 | Clear Wire (L) | Varilla Borrador (Izq.) | |
| 7 | 15581002 | 1 | Clear Cam | Leva de Borrador | |
| 8 | 05591003 | 1 | Clear Wire Spring | Resorte para Varilla Borrador | |
| 9 | 04526778 | 1 | Jam Release Plate | Placa de Soltar del Atasco | |
| 10 | 04410817 | 1 | Jam Release Spring | Resorte de Soltar del Atasco | |
| 11 | 04536777 | 1 | Raising Spring (R) | Resorte de Levantada (Der.) | |
| 12 | 04546776 | 1 | Raising Spring (L) | Resorte de Levantada (Izq.) | |
| 13 | 04411203 | 1 | Russel Lever (R) | Palanca Russel (Der.) | |
| 14 | 04421202 | 1 | Russel Lever (L) | Palanca Russel (Izq.) | |
| 15 | 05416771 | 1 | Cam Lever | Palanca de Levas | |
| | 04036760 | 1 | Cam Lever (SINGER) | | |
| 16 | 04566774 | 1 | Stitch Dial A | Dial de Puntadas A | |
| 17 | 05426770 | 1 | Dial Indicator | Dial Indicador de Tensión | |
| | 05316773 | 1 | Dial Indicator (SINGER) | | |
| 18 | 05436779 | 1 | Dial Cap | Tapa para Dial Indicador | |
| | 05326772 | 1 | Dial Cap (SINGER) | | |
| 19 | 05456777 | 1 | Carriage Handle | Mango del Carro | |
| | 05336771 | 1 | Carriage Handle (SINGER) | | |
| 20 | 05446778 | 1 | Jam Release Lever | Leva de Soltar del Atasco | |
| 21 | 02860369 | 2 | Arm Nut | Perilla del Brazo | |
| 22 | 05741004 | 2 | Carriage Handle Screw | Tornillo para Mango del Carro | |
| 23 | 04350419 | 2 | Side Lever Spring B | Resorte para Palanca Lateral B | |
| 24 | 05106778 | 1 | Carriage Cover (SILVER REED) | Cubierta del Carro | |
| | 05406772 | 1 | Carriage Cover (EMPISAL-KNITMASTER) | | |
| | 05306774 | 1 | Carriage Cover (SINGER) | | |
| | 05206776 | 1 | Carriage Cover (STUDIO) | | |
| 25 | 04010500 | 1 | Filling Cap for RC Lever | Tapa llenador para Leva Contador | |
| 26 | 04116760 | 1 | Intarsia Lever (R) | Palanca de Incrustación (Der.) | |
| 27 | 04126769 | 1 | Intarsia Lever (L) | Palanca de Incrustación (Izq.) | |
| 28 | 04426771 | 1 | Intarsia Lever Spring (R) | Resorte para Palanca de Incrustación (Der.) | |
| 29 | 04436770 | 1 | Intarsia Lever Spring (L) | Resorte para Palanca de Incrustación (Izq.) | |
| 30 | 04310413 | 1 | Side Lever (R) | Palanca Lateral (Der.) | |
| 31 | 04320412 | 1 | Side Lever (L) | Palanca Lateral (Izq.) | |
| 32 | 03181005 | 1 | Driving Cam | Leva Accionamiento | |
| 33 | 01332006 | 2 | Binding Head Screw 3 x 6 | Tornillo 3 x 6 | |
| 34 | 05751003 | 2 | Binding Head Screw 5 x 20 | Tornillo 5 x 20 | |
| 35 | 06290811 | 1 | Collar Head Screw 3 x 6.5 | Tornillo 3 x 6.5 | |
| 36 | 06401004 | 4 | Spec. PW Binding Head Screw 3 x 7 | Tornillo 3 x 7 | |
| 37 | 01910819 | 2 | Collar Head STT Screw 3 x 8 | Tornillo 3 x 8 | |
| 38 | 04140414 | 2 | Collar Head STT Screw 3 x 13 | Tornillo 3 x 13 | |
| 39 | 05200613 | 2 | Plain Washer 2.7 x 8 x 0.8 | Arandela 2.7 x 8 x 0.8 | |
| 40 | 04571204 | 2 | Push Nut 3 | Anillo de Retén Interno 3 | |
| 41 | 01342005 | 2 | Spec. Hexagonal Nut 2, 2.6 | Tuerca Hexagonal 2, 2.6 | |
| 42 | 08030611 | 2 | Collar Head Screw 3 x 5 | Tornillo 3 x 5 | |
| 43 | 04721007 | 2 | Pan Head STT Screw 3 x 6 | Tornillo 3 x 6 | |

ARM GROUP/GRUPO DEL BRAZO



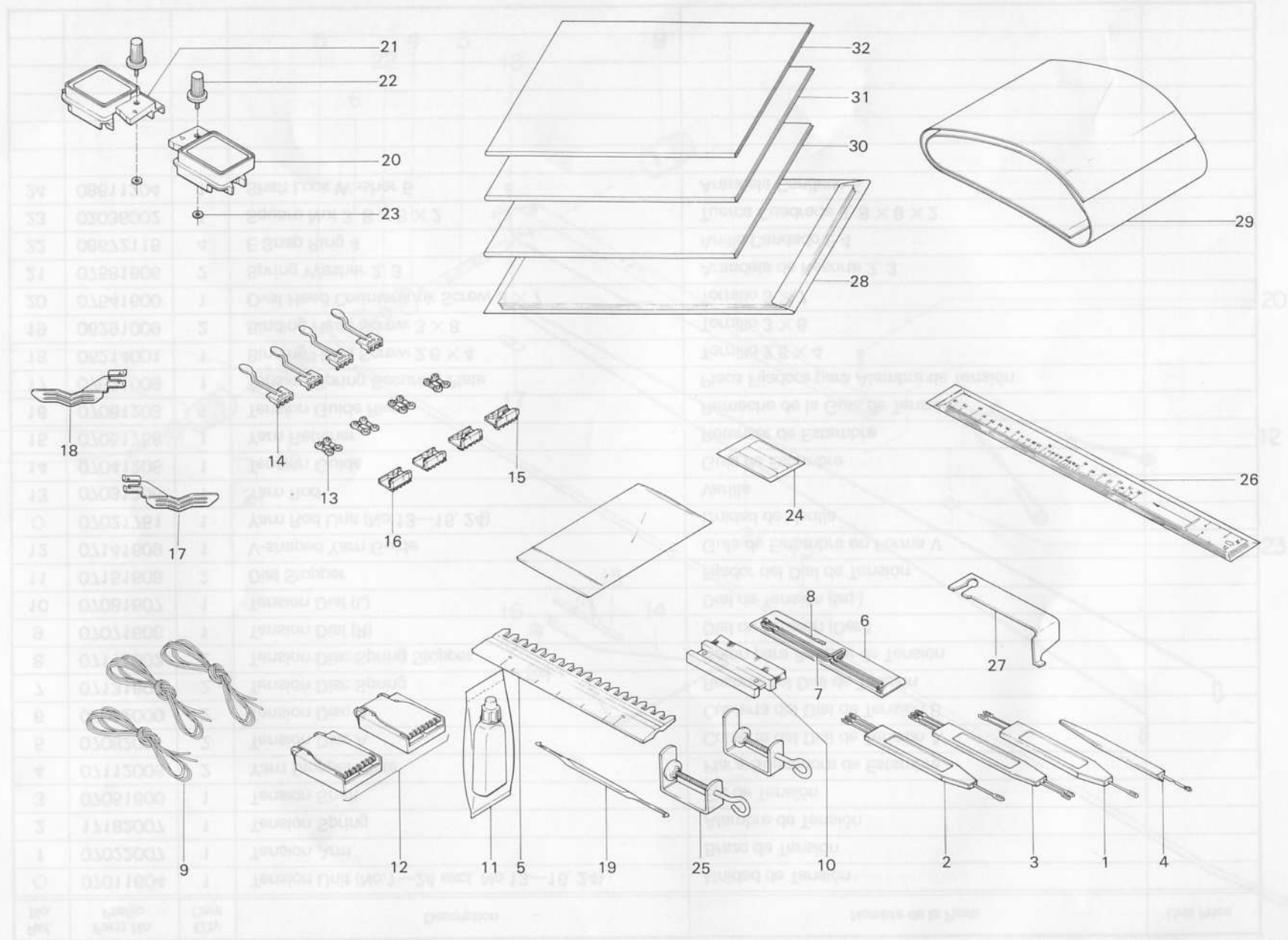
| Ref. No. | Parts No. Prefijo | Q'ty Cant | Description | Nombre de la Pieza | Unit Price |
|----------|-------------------|-----------|-------------------------------------|---|------------|
| ◎ | 06016760 | 1 | Arm Unit (No.1—40) | Unidad del Brazo | |
| 1 | 06026777 | 1 | Arm | Brazo | |
| 2 | 06030811 | 1 | Yarn Holder (R) | Gancho de Estambre en el Brazo (Der.) | |
| 3 | 06040810 | 1 | Yarn Holder (L) | Gancho de Estambre en el Brazo (Izq.) | |
| 4 | 16050817 | 1 | Weaving Yarn Feeder (R) | Alimentador del Tramar de Estambre (Der.) | |
| 5 | 16060816 | 1 | Weaving Yarn Feeder (L) | Alimentador del Tramar de Estambre (Izq.) | |
| 6 | 16090813 | 1 | Brush Holder (R) | Sujetador de Escobilla (Der.) | |
| 7 | 16100810 | 1 | Brush Holder (L) | Sujetador de Escobilla (Izq.) | |
| 8 | 06300818 | 1 | Weaving Brush Base (R) | Base de Escobilla de Trama (Der.) | |
| 9 | 06310817 | 1 | Weaving Brush Base (L) | Base de Escobilla de Trama (Izq.) | |
| 10 | 06160816 | 1 | Weaving Brush Lever (R) | Leva del Escobilla de Trama (Der.) | |
| 11 | 06170815 | 1 | Weaving Brush Lever (L) | Leva del Escobilla de Trama (Izq.) | |
| 12 | 06180814 | 2 | Weaving Brush Knob | Botón de Escobilla de Trama | |
| 13 | 06210819 | 2 | Weaving Brush Shaft D | Vara de Escobilla de Trama D | |
| 14 | 06220818 | 1 | Weaving Brush Spring (R) | Resorte de Escobilla de Trama (Der.) | |
| 15 | 06230817 | 1 | Weaving Brush Spring (L) | Resorte de Escobilla de Trama (Izq.) | |
| 16 | 06240816 | 2 | Weaving Brush | Escobilla de Trama | |
| 17 | 06260814 | 2 | Clearing Brush | Escobilla Abridor de Lengüetas | |
| 18 | 06056774 | 1 | Fabric Presser (R) | Presionador del Tejido (Der.) | |
| 19 | 06066773 | 1 | Fabric Presser (L) | Presionador del Tejido (Izq.) | |
| 20 | 06256812 | 2 | Rubber Disc | Rueda de Goma | |
| 21 | 06156889 | 2 | Rubber Disc Collar | Collarín para Rueda de Goma | |
| 22 | 06121206 | 2 | Round Brush B | Escobilla Redonda B | |
| 23 | 17361205 | 2 | Round Brush Cover | Tapa de la Escobilla Redonda | |
| 24 | 06251201 | 2 | Fabric Gear | Engrane Plástico | |
| 25 | 06106777 | 2 | Fabric Gear Pin | Muñon para Engrane Plástico | |
| 26 | 06181606 | 1 | Yarn Feeder | Alimentador de Estambre | |
| 27 | 06201602 | 1 | Plating Yarn Feeder | Alimentador para el Tejido de Doble Faz | |
| 28 | 06265268 | 1 | Arm Magnet (R) | Imán (Der.) | |
| 29 | 06275267 | 1 | Arm Magnet (L) | Imán (Izq.) | |
| 30 | 06181002 | 2 | Binding Head Screw 3 × 4.5 | Tornillo 3 × 4.5 | |
| 31 | 01332006 | 4 | Binding Head Screw 3 × 6 | Tornillo 3 × 6 | |
| 32 | 03083201 | 2 | Binding Head Screw 3 × 10 | Tornillo 3 × 10 | |
| 33 | 06830491 | 2 | Flat Head Countersunk Screw 3 × 8.5 | Tornillo 3 × 8.5 | |
| 34 | 06290811 | 2 | Collar Head Screw 3 × 6.5 | Tornillo 3 × 6.5 | |
| 35 | 08030611 | 4 | Collar Head Screw 3 × 5 | Tornillo 3 × 5 | |
| 36 | 06096002 | 4 | Round Head Tapping Screw 2, 2.3 × 6 | Tornillo 2, 2.3 × 6 | |
| 37 | 07411200 | 4 | Plain Washer 6.2 × 10 × 0.5 | Arandela 6.2 × 10 × 0.5 | |
| 38 | 01675214 | 2 | E Snap Ring 5 | Anillo Candado E 5 | |
| 39 | 08662116 | 2 | E Snap Ring 3 | Anillo Candado E 3 | |
| 40 | 06026769 | 2 | Latch Guide Securing Stud | Tachón para Guia de Lengüeta | |

TENSION GROUP/GRUPO DE TENSION



| Ref. No. | Parts No. Prefijo | Q'ty Cant | Description | Nombre de la Pieza | Unit Price |
|----------|-------------------|-----------|---|--|------------|
| ○ | 07011604 | 1 | Tension Unit (No.1—24 excl. No.13—16, 24) | Unidad de Tensión | |
| 1 | 07022007 | 1 | Tension Arm | Brazo de Tensión | |
| 2 | 17182007 | 1 | Tension Spring | Alambre de Tensión | |
| 3 | 07051600 | 1 | Tension Shaft | Eje de Tensión | |
| 4 | 07112006 | 2 | Yarn Stopper Plate | Placa Sujetadora de Estambre | |
| 5 | 07082001 | 2 | Tension Disc A | Cubierta del Dial de Tensión A | |
| 6 | 07092000 | 2 | Tension Disc B | Cubierta del Dial de Tensión B | |
| 7 | 07131600 | 2 | Tension Disc Spring | Resorte del Dial de Tensión | |
| 8 | 07111602 | 2 | Tension Disc Spring Stopper | Retén para Resorte de Tensión | |
| 9 | 07071608 | 1 | Tension Dial (R) | Dial de Tensión (Der.) | |
| 10 | 07081607 | 1 | Tension Dial (L) | Dial de Tensión (Izq.) | |
| 11 | 07151608 | 2 | Dial Stopper | Fijador del Dial de Tensión | |
| 12 | 07141609 | 1 | V-shaped Yarn Guide | Guía de Estambre en Forma V | |
| ○ | 07021751 | 1 | Yarn Rod Unit (No.13—16, 24) | Unidad de Varilla | |
| 13 | 07031206 | 1 | Yarn Rod | Varilla | |
| 14 | 07041205 | 1 | Tension Guide | Guía de Estambre | |
| 15 | 07051758 | 1 | Yarn Retainer | Retensor de Estambre | |
| 16 | 07061203 | 1 | Tension Guide Rivet | Remache de la Guía de Tensión | |
| 17 | 07021009 | 1 | Tension Spring Securing Plate | Placa Fijadora para Alambre de Tensión | |
| 18 | 06214001 | 1 | Binding Head Screw 2.6 × 4 | Tornillo 2.6 × 4 | |
| 19 | 06291009 | 2 | Binding Head Screw 3 × 8 | Tornillo 3 × 8 | |
| 20 | 07541600 | 1 | Oval Head Countersunk Screw 3 × 7 | Tornillo 3 × 7 | |
| 21 | 07581606 | 2 | Spring Washer 2, 3 | Arandela de Resorte 2, 3 | |
| 22 | 08672115 | 4 | E Snap Ring 4 | Anillo Candado E 4 | |
| 23 | 02036002 | 1 | Square Nut 3, 8 × 8 × 2 | Tuerca Cuadrada 3, 8 × 8 × 2 | |
| 24 | 08611204 | 1 | Shaft Lock Washer 5 | Arandela Candado 5 | |
| | | | | | |
| | | | | | |
| | | | | | |
| | | | | | |
| | | | | | |

ACCESSORY GROUP/GRUPO DE ACCESORIOS



| Ref. No. | Parts No. Prefijo | Q'ty Cant | Description | Nombre de la Pieza | Unit Price |
|----------|-------------------|-----------|---|--|------------|
| 1 | 07352008 | 1 | Transfer Tool (1—2) | Transportador (1—2) | |
| 2 | 07362007 | 1 | Transfer Tool (1—3) | Transportador (1—3) | |
| 3 | 07372006 | 1 | Transfer Tool (2—3) | Transportador (2—3) | |
| 4 | 07312002 | 1 | Tappet Tool | Aguja Remalladora | |
| 5 | 07292006 | 1 | Needle Pusher (0—1/1) | Regla Deslizadora (0—1/1) | |
| ○ | 02980365 | 1 | Spare Needle Set (No.6—8) | Bolsa de Agujas de Repuesto | |
| 6 | 02910362 | 1 | Needle Envelope | Bolsa de Agujas | |
| 7 | 01130616 | 3 | Latch Needle | Aguja | |
| 8 | 07402001 | 1 | Tapestry Needle | Aguja de Ojo Grande | |
| 9 | 07332000 | 3 | Cast-on Thread | Cordon de Separación | |
| 10 | 07342009 | 1 | Cleaning Brush | Cepillo Limpiador | |
| 11 | 07922008 | 1 | Oil Container | Aceitera | |
| 12 | 07206824 | 2 | Claw Weight | Pesa de Garra | |
| 13 | 07151756 | 1 | Card Snap Set (4 snaps/set) | Fijador de Tarjetas | |
| 14 | 17221201 | 4 | Separator | Separador | |
| 15 | 07631757 | 2 | Point Cam M (R) | Leva Limitadora de Diseño M (Der.) | |
| 16 | 07641756 | 2 | Point Cam M (L) | Leva Limitadora de Diseño M (Izq.) | |
| 17 | 07016769 | 1 | Latch Guide (R) | Guía de Lengüeta (Der.) | |
| 18 | 07026768 | 1 | Latch Guide (L) | Guía de Lengüeta (Izq.) | |
| 19 | 07440621 | 1 | Crochet Hook | Gancho de Crochet | |
| ○ | 07161607 | 1 | Magic Cam Unit (R) (No.20, 22, 23) | Conjunto de la Leva Mágica (Der.) | |
| ○ | 07171606 | 1 | Magic Cam Unit (L) (No.21, 22, 23) | Conjunto de la Leva Mágica (Izq.) | |
| 20 | 07181605 | 1 | Magic Cam (R) | Leva Mágica (Der.) | |
| 21 | 07191604 | 1 | Magic Cam (L) | Leva Mágica (Izq.) | |
| 22 | 02920361 | 2 | Magic Cam Knob | Perilla de la Leva Mágica | |
| 23 | 07211204 | 2 | Magic Cam Snap | Anillo Fijador | |
| 24 | 07702004 | 1 | Name Paper | Papel de Identificación | |
| 25 | 07321201 | 2 | Clamp | Sujetador | |
| 26 | 07116775 | 1 | Scale Set (Scale No.H8—H14 incl. Gauge Scale) | Juego de Escalas de Puntos y Calibre | |
| ○ | 08252116 | 1 | Gauge Scale | Escala de calibre | |
| 27 | 07080617 | 1 | Carriage Fastener | Sujetador del Carro | |
| 28 | 07036767 | 1 | Punch Card Set (Card No.1—20) | Tarjetas Perforadas | |
| 29 | 02026821 | 1 | KR Pattern Paper Set (20 sheets) | Juego de Papeles de Patrones para Knit Radar | |
| 30 | 07046766 | 1 | Operation Manual | Libro de Instrucciones | |
| | 07706773 | 1 | Operation Manual (EMPISAL-KNITMASTER) | | |
| | 07606775 | 1 | Operation Manual (SINGER) | | |
| 31 | 07056765 | 1 | Knitting Manual | Libro de Tejido | |
| | 07736770 | 1 | Knitting Manual (EMPISAL-KNITMASTER) | | |
| | 07056765 | 1 | Knitting Manual (SINGER) | | |
| 32 | 07066764 | 1 | Pattern Book | Libro de Diseños | |