

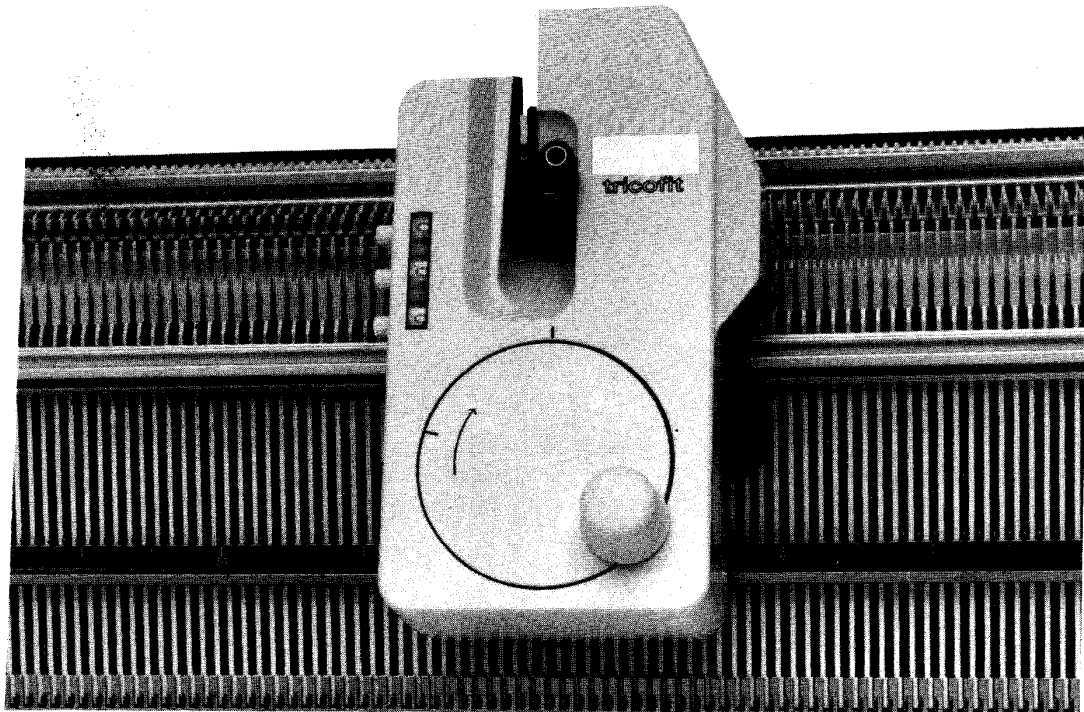
Illustrated list

Illustrated list

for

PASSAP TRICOFIT**PFAFF TRICOFIT**

Attention: Suitable for TRICOFIT from serial no 1001 onwards, see also pages 33.632.33/3+4

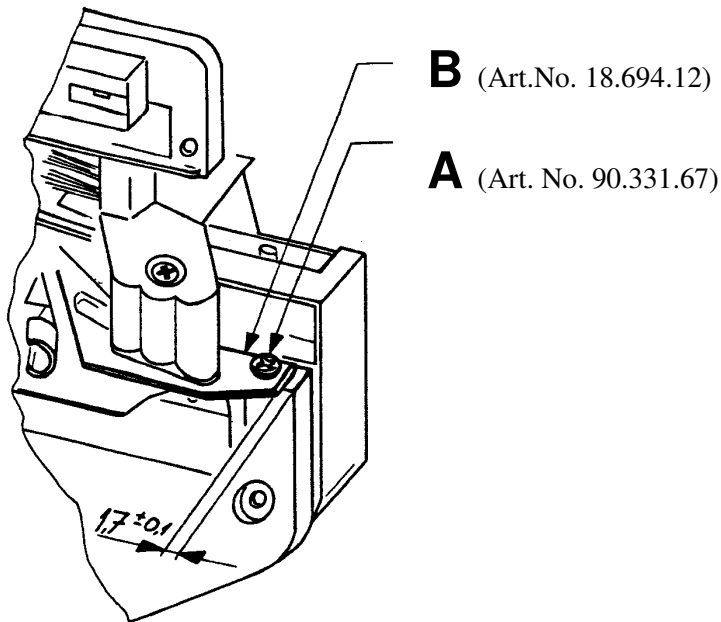


SERVICE TRICOFIT 400.1.--

ILLUSTRATED LIST

Art. No.	No.400.1.--	Art. No.	No.400.1.--	Art. No.	No.400.1.--
14.637.01	06	18.664.03	03	18.767.02	06
16.300.10	03,05	18.668.02	03	18.769.02	06
16.309.03	05	18.669.02	03	18.770.02	06
16.310.03	05	18.670.02	03	33.234.63	06
16.311.12	05	18.671.02	03	90.249.97	03
16.314.12	05	18.672.03	03	90.250.07	03,04
16.316.02	05	18.675.03	03	90.330.81	03
16.317.02	05	18.678.02	03	90.331.67	03,04
16.318.02	05	18.679.02	03	90.331.87	02
16.319.02	05	18.680.02	03	90.332.67	03
16.320.02	05	18.681.03	03	90.750.31	03
16.321.02	02,05	18.686.02	03	90.752.77	03
16.323.02	05	18.687.03	03	90.765.24	03
16.324.02	05	18.690.13	03	90.765.41	04
16.325.02	05	18.694.12	03	90.766.12	03,04
16.326.02	05	18.697.03	03	90.766.32	03,04
18.550.00	/6	18.701.03	03	90.767.34	03
18.551.00	/6	18.703.03	03	90.767.51	03
18.574.03	02	18.707.03	03	91.030.21	05
18.575.03	02	18.711.03	03	91.030.31	03
18.591.03	03	18.713.02	03	91.030.41	03
18.592.02	03	18.716.03	03	91.030.51	03,04
18.597.02	03	18.717.02	03	91.030.61	03,04
18.604.03	04	18.718.02	03	91.030.71	03
18.608.03	04	18.719.02	03	91.030.91	03
18.611.03	04	18.720.02	03	91.055.99	04
18.614.03	04	18.721.02	03		
18.617.02	04	18.722.02	03		
18.618.02	04	18.729.02	03		
18.619.03	04	18.730.02	03		
18.624.02	04	18.735.02	03		
18.629.02	04	18.736.02	03		
18.630.03	04	18.737.03	03		
18.632.03	04	18.739.02	03		
18.636.02	04	18.740.03	03		
18.637.02	04	18.743.02	03		
18.638.02	04	18.744.02	03		
18.639.02	04	18.747.03	04		
18.642.03	04	18.748.03	03		
18.645.02	04	18.752.02	03		
18.646.02	04	18.755.02	04		
		18.757.02	04		
		18.758.02	03		

ILLUSTRATED LIST



- 1) The first 1000 TRICOFITs with serial no.0001-1000 were mainly sold in Switzerland and France as an introductory serie. The above—mentioned TRICOFIT serie may therefore be disassembled and/or repaired only at MADAG Switzerland and PASSAP SA France!
- 2) Observe the following for TRICOFIT series no. 1001-5000:

If one of the 3 parts mentioned below has to be replaced, it is imperative to replace the 2 other parts as well!

- 18.690.03 Decker needle support (old) to be replaced with 18.690.13 new
- 18.694.02 Guide plate (old) “ “ “ 18.694.12 new
- 18.716.02 Adjusting lever (old) ” “ “ 18.716.03 new

Note: Replacing all 3 parts is of course only necessary the first time. After that only the defective part needs to be replaced!

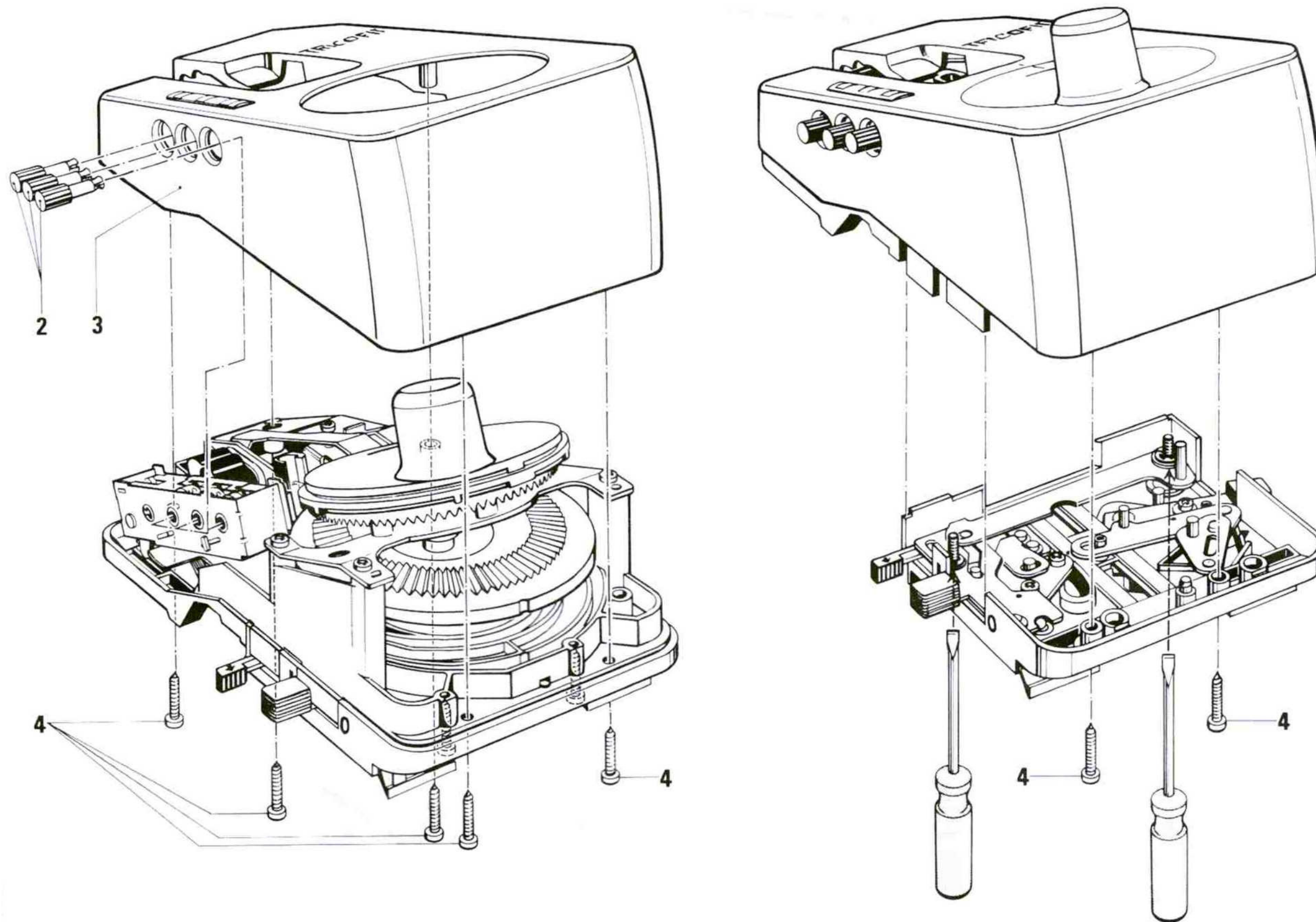
- 3) As spare parts only the parts shown in this illustrated list and the drawings will be available. These parts can be fitted to the TRICOFITs with serial no. 1001-5000 (observing point 2 above) even if they differ in the exterior appearance from the mounted parts.

Adjustment of TRICOFIT from serial no.1001 onwards, as per illustration above:

- The only adjustment necessary on the TRICOFIT is the adjusting of the measurement 1.7 +/- 0.1 mm on the guide plate B, art.no. 18.694.12.
- This adjustment is very important for the correct working position of the decker needle support, art.no. 18.690.13.

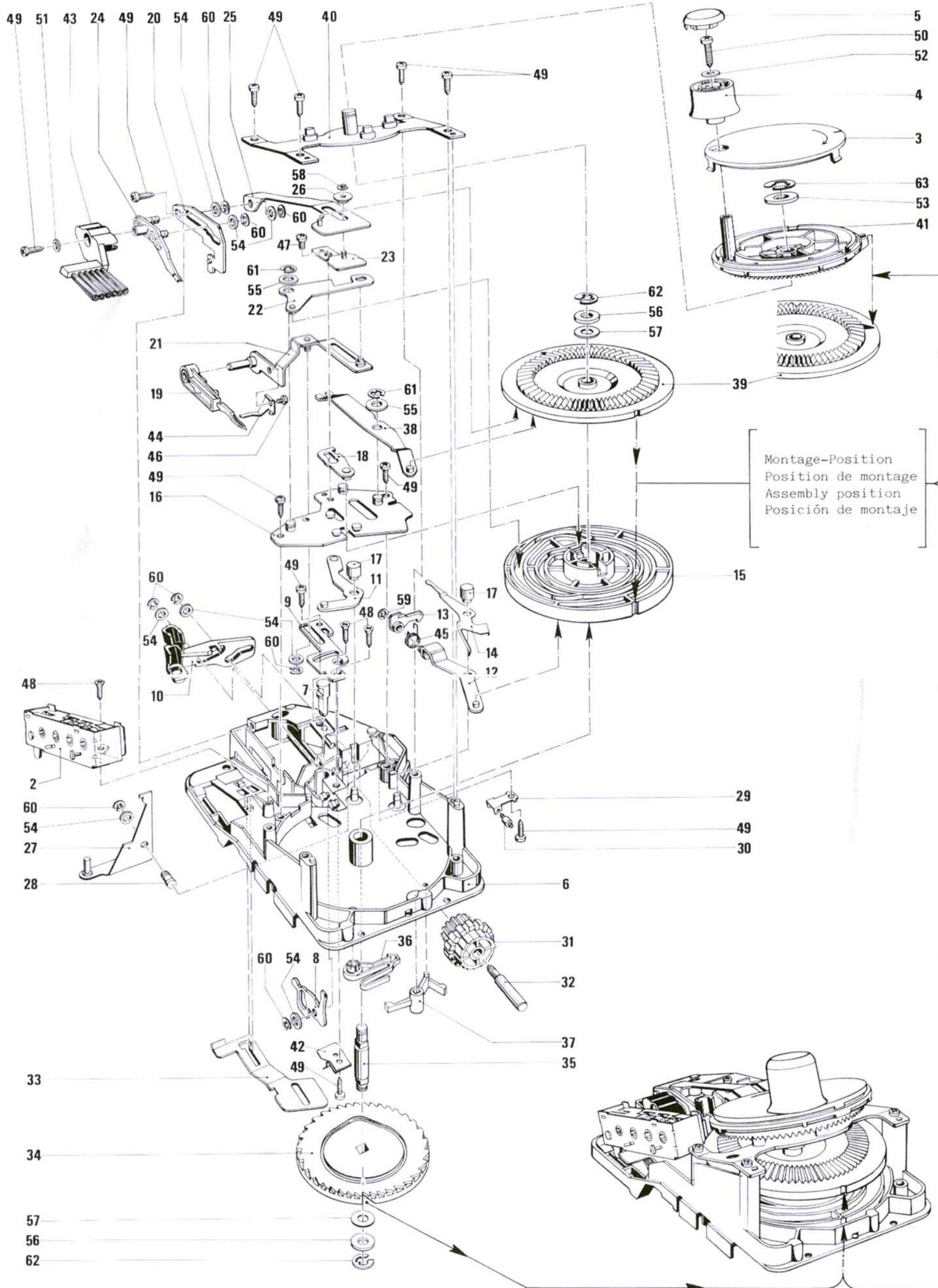
Procedure: Disassemble the hood 18.574.03 or 18.575.03. Loosen screw A slightly and adjust B to 1.7 +/- 0.1mm, as per illustration above. Now tighten screw A well again. Assemble hood.

ILLUSTRATED LIST



Picture No.	Art.No.	Name	Weight	Price
	18.550.00	PASSAP TRICOFIT-packed	1105	
	18.551.00	PFAFF TRICOFIT-packed	1105	
2	16.321.02	Control knob	0,5	
3	18.574.03	Hood PASSAP TRICOFIT	83	
	18.575.03	Hood PFAFF TRICOFIT	83	
4	90.331.87	LenLens head sheet-metal screw D 2,9x16	0,7	

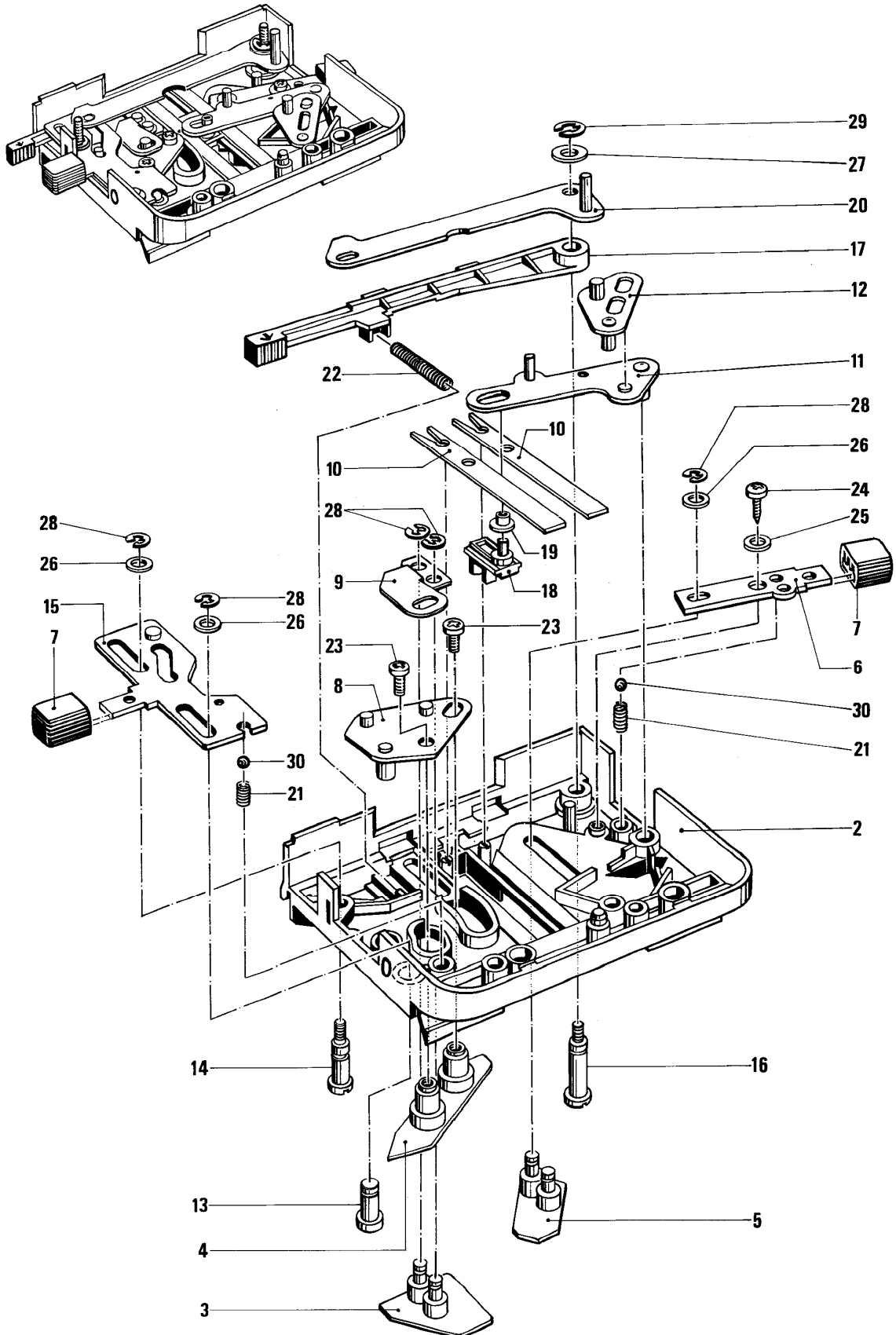
ILLUSTRATED LIST



Picture No.	Art. No.	Name	Weight	Price
2	16.300.10	M-Row counter (K)	57	
3	18.591.03	Cover disk	12	
4	18.592.02	Turning handle TRICOFIT	4,4	
5	18.597.02	Cover TRICOFIT	1	
6	18.664.03	Chassis TRICOFIT	90	
7	18.668.02	Centering pin	4,4	
8	18.669.02	Diverting lever	2,8	
9	18.670.02	Chassis plate	9,3	
10	18.671.02	Feeding eyelet carrier TRICOFIT	2,8	
11	18.672.03	Feeding eyelet lever	6,8	
12	18.675.03	Transport lever	6,9	
13	18.678.02	Ratchet	0,5	
14	18.679.02	Ratchet spring	1,2	
15	18.680.02	Cam disk (top)	31	
16	18.681.03	Intermediate plate	34	
17	18.686.02	Guide tube	2,5	
18	18.687.03	Disengaging lever	3	
19	18.690.13	Decker needle support	4,8	
20	18.694.12	Guide plate	12	
21	18.697.03	Decker needle lever	14,8	
22	18.701.03	Intermediate lever	7,8	
23	18.703.03	Z-Lever	5,1	
24	18.707.03	Pressure piece	3,2	
25	18.711.03	Thrust lever	14	
26	18.713.02	Turning washer	0,6	
27	18.716.03	Adjusting lever	10,8	
28	18.717.02	Bolt D 4/5x7,5	0,8	
29	18.718.02	Stop spring	0,5	
30	18.719.02	Roll D 3,6x8	0,4	
31	18.720.02	Toothed wheel	6,5	
32	18.721.02	Axle	6,2	
33	18.722.02	Trip cam for row counter TRICOFIT	9	
34	18.729.02	Cam disk (bottom)	16,5	
35	18.730.02	Bearing axle	12,7	
36	18.735.02	Stop lever	0,9	
37	18.736.02	Double stop lever	0,8	
38	18.737.03	Driving lever	10,5	
39	18.739.02	Bevel wheel (bottom)	31	
40	18.740.03	Support TRICOFIT	51	
41	18.743.02	Bevel wheel (top)	32	
42	18.744.02	Latch closing plate TRICOFIT	1,5	
43	18.748.03	Brush TRICOFIT	4,1	
44	18.752.02	Decker needle spring	0,4	

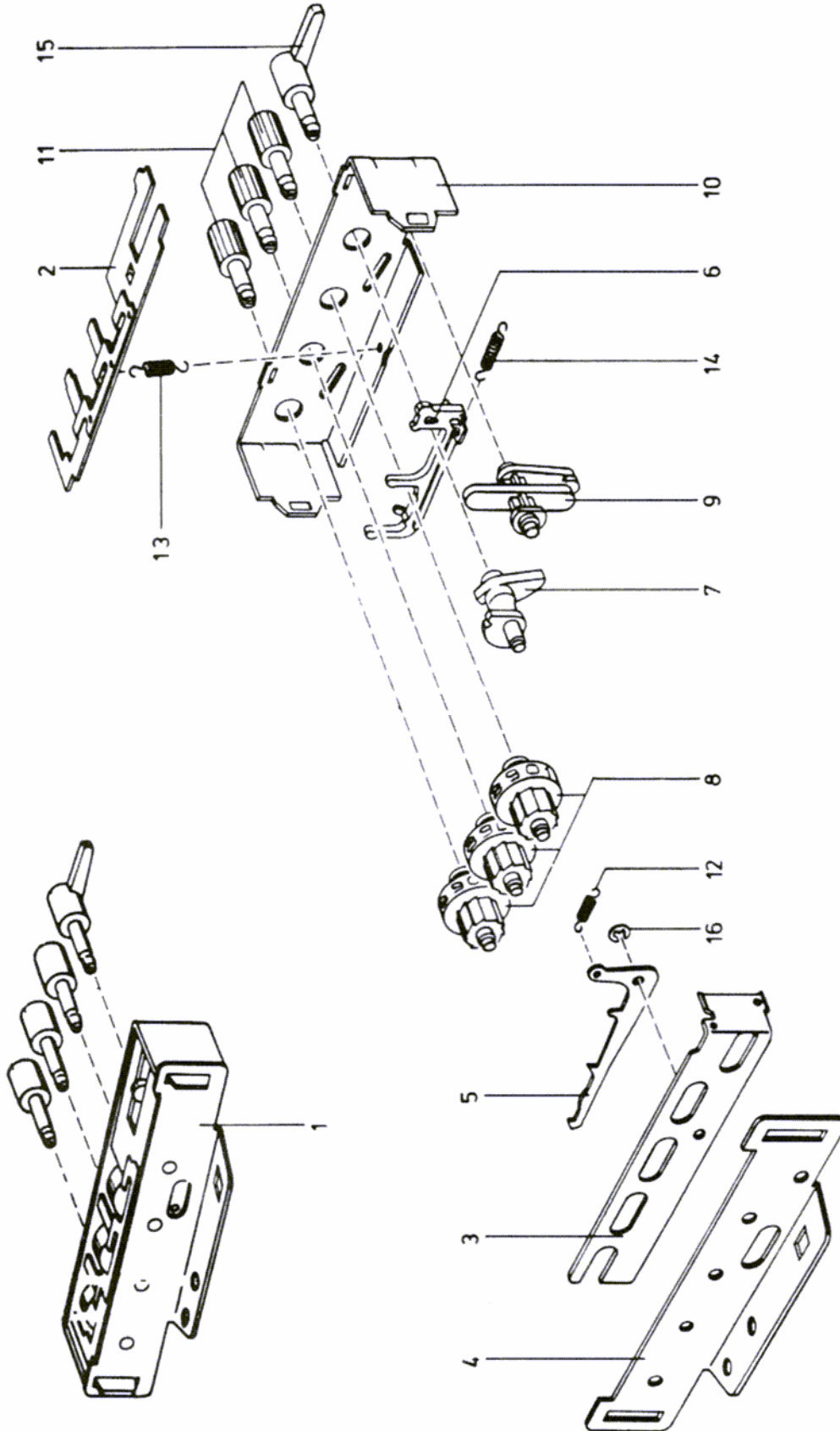
Picture No.	Art. No.	Name	Weight	Price
45	18.758.02	Torsion spring D 8mm	0,1	
46	90.249.97	Lens head screw FREEDRIVE M2,5X3	0,2	
47	90.250.07	Lens head screw FREEDRIVE M 3x6	0,6	
48	90.330.81	Countersunk Parker screw	0,4	
49	90.331.67	Lens head sheet-metal screw D 2,9x9,5	0,4	
50	90.332.67	Lens head sheet-metal screw D 3,5x13	1,1	
51	90.750.31	Washer D 3,2/7x0,5	,1	
52	90.752.77	Washer D 3,7/11x0,8	0,5	
53	90.765.24	Distance washer D 8,4/18x1,5	1,7	
54	90.766.12	Distance washer D 4,3/8x0,77	0,2	
55	90.766.32	Distance washer D 5,2/10x1	0,5	
56	90.767.34	Distance washer D 6,2/14x1,5	1,2	
57	90.767.51	Distance washer D 6,2/14x0,25	0,3	
58	91.030.31	Safety washer 1,9 DIN	0,1	
59	91.030.41	Safety washer 2,3 DIN	0,1	
60	91.030.51	Safety washer 3,2 DIN	0,1	
61	91.030.61	Safety washer 4 DIN	0,1	
62	91.030.71	Safety washer 5 DIN	0,2	
63	91.030.91	Safety washer 7 DIN	0,4	

ILLUSTRATED LIST



Picture No.	Art. No	Name	Weight	Price
2	18.604.03	Cam body TRICOFIT	45	
3	18.608.03	Lowering cam	7,2	
4	18.611.03	Needle lifter	10	
5	18.614.03	Control cam	6,3	
6	18.617.02	Sliding lever	5	
7	18.618.02	Operating knob	0,6	
8	18.619.03	Bearing plate	7,3	
9	18.624.02	Control plate	2,4	
10	18.629.02	Guiding	3	
11	18.630.03	Control lever	9,3	
12	18.632.03	Lever	5,3	
13	18.636.02	Guide bolt D 4x11,5	1,3	
14	18.637.02	Thread bolt M 3 D 4x16,5	1,6	
15	18.638.02	Slider	9,4	
16	18.639.02	Thread bolt M 3 D 5x21	3,1	
17	18.642.03	Guide lever	4	
18	18.645.02	Guiding plate	0,7	
19	18.646.02	Guide roller	0,3	
20	18.747.03	Ratchet lever	11	
21	18.755.02	Pressure spring D 3,7x7,9	0,1	
22	18.757.02	Pressure spring D 3,72x22,5	0,1	
23	90.250.07	Lens head screw FREEDRIVE M 3x6	0,6	
24	90.331.67	Lens head sheet-metal screw D 2,9x9,5	0,4	
25	90.765.41	Distance washer D 3,2/8x0,5	0,1	
26	90.766.12	Distance washer D 4,3/8x0,77	0,2	
27	90.766.32	Distance washer D 5,2/10x1	0,5	
28	91.030.51	Safety washer 3,2 DIN	0,1	
29	91.030.61	Safety washer 4 DIN	0,1	
30	91.055.99	Steel ball D 4MM	0,3	

ILLUSTRATED LIST



Picture No.	Art. No	Name	Weight	Price
1	16.300.10	M-Row counter (K)	57	
2	16.309.03	Spring plate	5,5	
3	16.310.03	Sliding plate	7	
4	16.311.12	Row counter support	12	
5	16.314.12	Ratchet	0,1	
6	16,316.02	Readjusting piece	0,5	
7	16.317.02	Eccentric piece	0,4	
8	16.318.02	Figure wheel	1	
9	16.319.02	Switch lever	0,5	
10	16.320.02	Base plate	19	
11	16.321.02	Control knob	0,5	
12	16.323.02	Tension spring D 2x18	0,1	
13	16.324.02	Tension spring D 2,9x9,6	0,1	
14	16.325.02	Tension spring D 2,6x12,6	0,1	
15	16.326.02	Readjusting lever	0,5	
16	91.030.21	Safety washer 1,5 DIN	0,1	

Picture No.	Art. No.	Name	Weight	Price
		Accessories and packing parts		
1	14.637.01	VM-Feeding eyelet	3,5	
2	18.767.02	Inlay-Styropor(in 2 pieces)	66	
3	18.769.02	Packing box PASSAP TRICOFIT	156	
3	18.770.02	Packing box PFAFF TRICOFIT	156	
4	33.234.63	Instruction book TRICOFIT, 9-languages	110	

SERVICE TRICOFIT

400.1.05

ILLUSTRATED LIST

1 — 

