

auto  
color

auto  
color

auto  
color

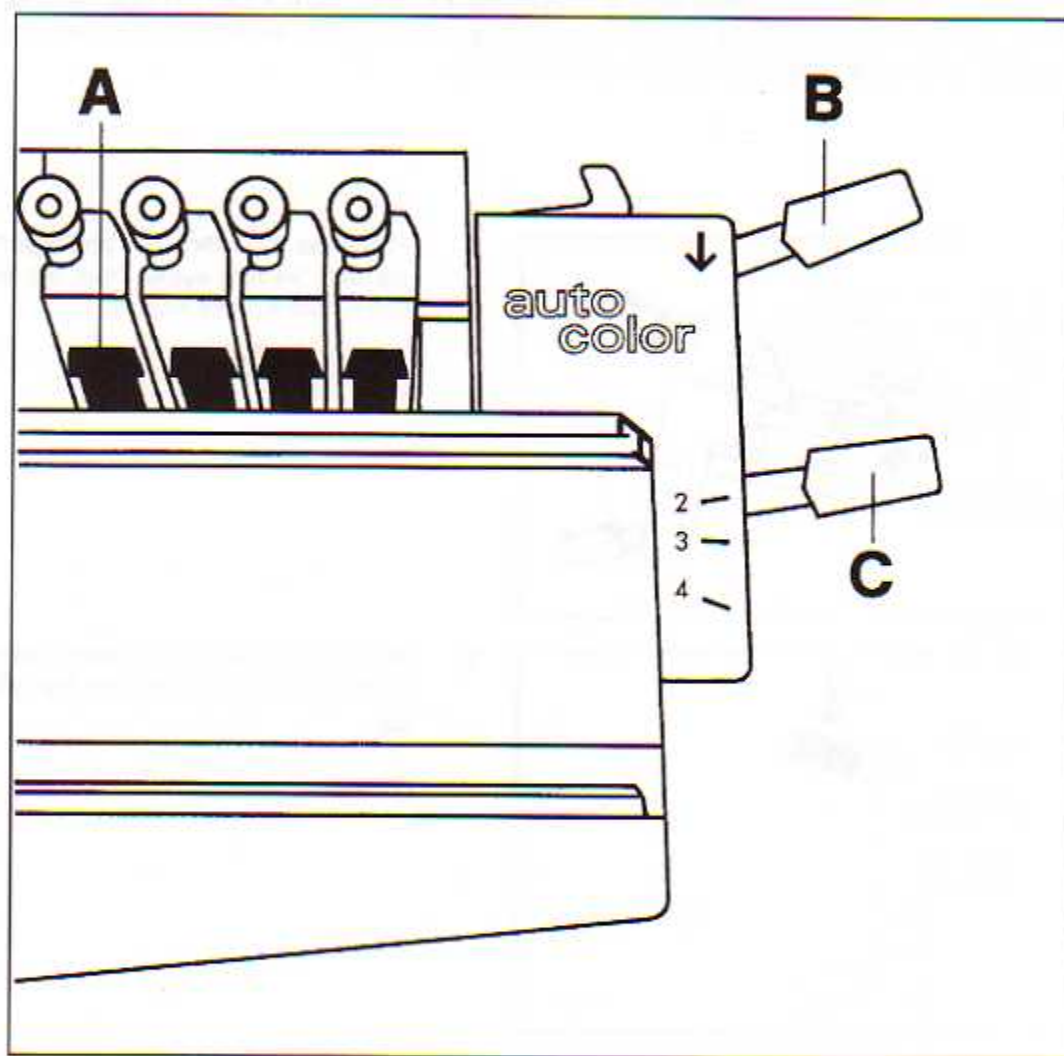
auto  
color

# INSTRUCTION MANUAL AUTOCOLOR

AUTOCOLOR 80 is designed for the DUOMATIC 80 and DUOMATIC S.

AUTOCOLOR 600 is designed for the ELECTRONIC 6000.

The only difference between the two versions is the look of the yarn tensioner, their function is exactly the same.



A : Four black selector keys

B : Main lever

C : Colour changer lever

## How to insert the feeding eyelets into the AUTOCOLOR

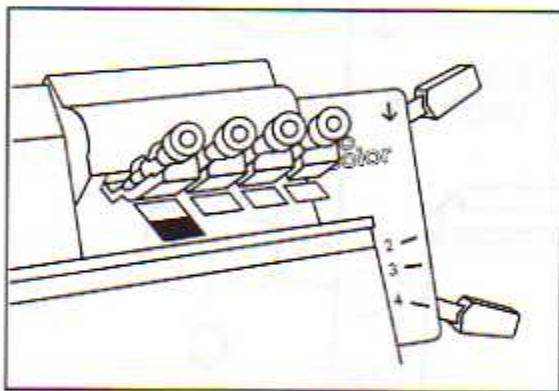
Consult the Instruction Manual of your machine on how to thread the yarn tensioner.

DUOMATIC S p. 20

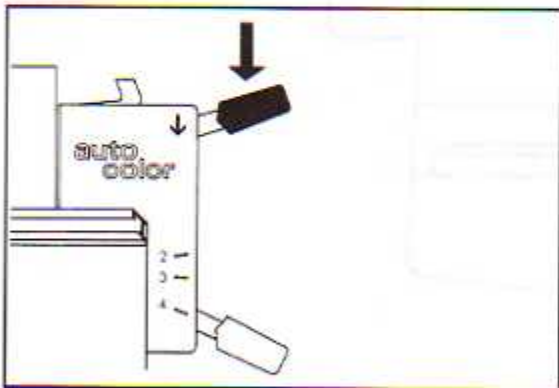
DUOMATIC 80 p. 14

ELECTRONIC 6000 p. 15

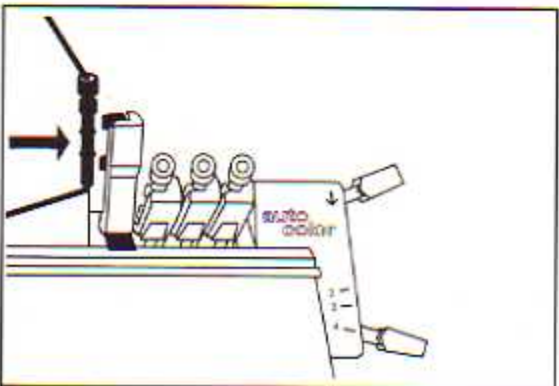
**Note:** The yarns must be inserted into the feeding eyelets of the AUTOCOLOR in the same sequence as they are threaded in the yarn tensioner, i.e. the yarn coming from the first tension arm from the left also goes into the first feeding eyelet from the left etc.



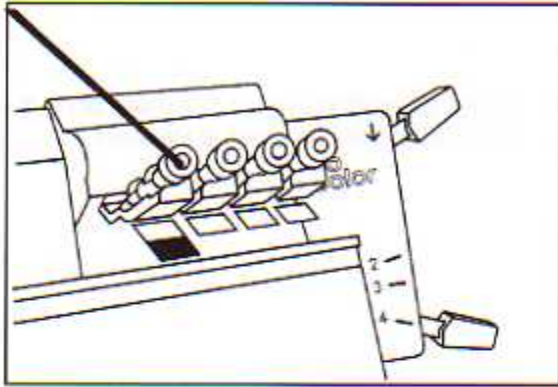
1. Press the first black key corresponding to the first feeding eyelet from the left right down until it clicks into place.



2. Press the main lever down until the first feeding eyelet support from the left swings up.

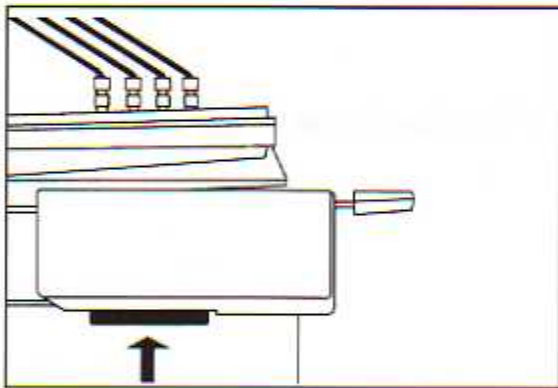


3. Remove the feeding eyelet from its support and thread it with the yarn coming from the first tension arm from the left. Fit the feeding eyelet into its support again, holding the yarn at the same time.  
**Note:** replace feeding eyelet into its support with its two rings between the two clamps.



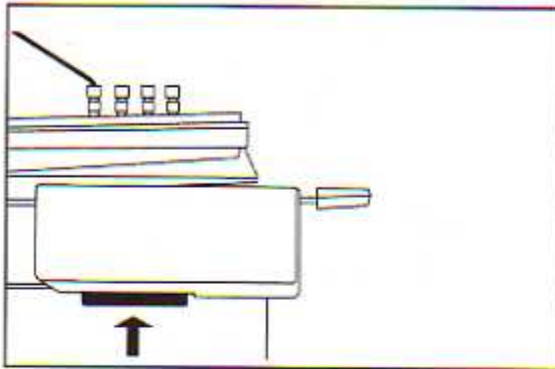
4. Press the feeding eyelet down.  
Guide the end of the yarn down between the  
needle beds and fasten it.

Thread the yarn through feeding eyelets 2, 3 and 4 in the same manner.

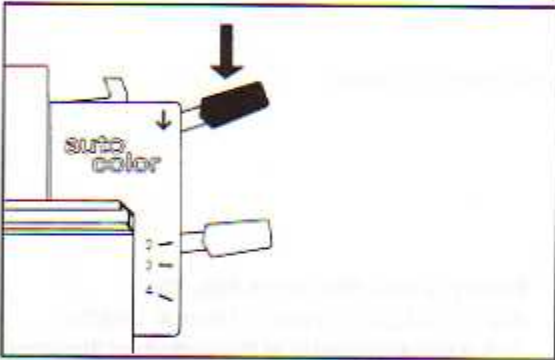


Finally, press discharge flap, the  
AUTOCOLOR is now in Neutral Position.  
The discharge flap is at the bottom of the white  
shield of the AUTOCOLOR.

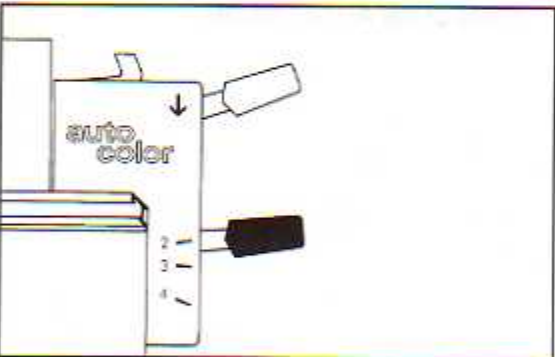
## Knitting in one colour



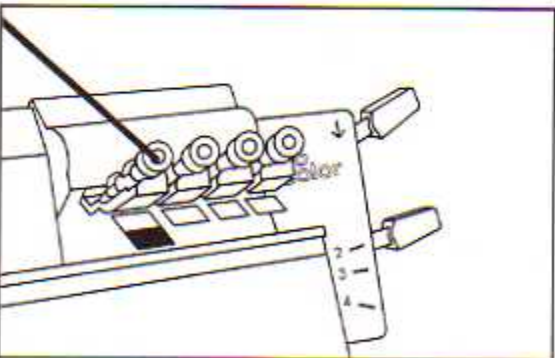
1. Press all feeding eyelets down and bring the AUTOCOLOR into Neutral Position.



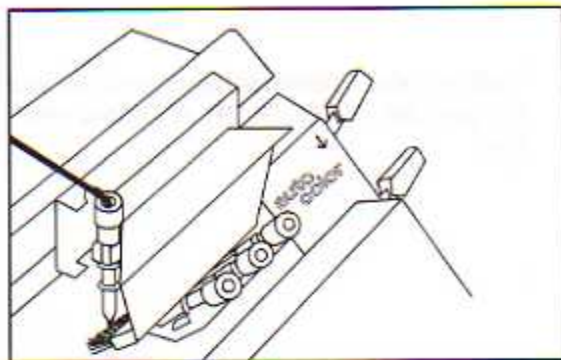
2. Press the main lever down once.



3. Set colour changer at 2.



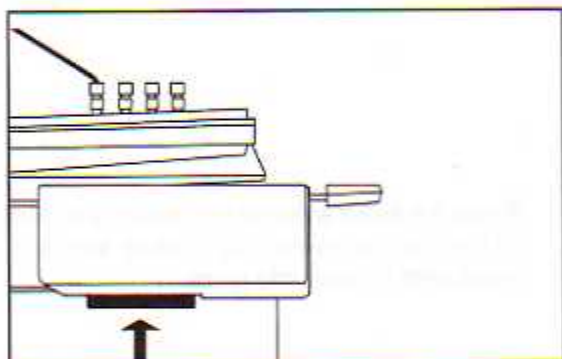
4. Press down the black key corresponding to the first feeding eyelet you want to knit with until it clicks into place.



5. Move the lock as far as it will go to the right into the colour changer.  
(This moves the switch box 3 cms to the right. The preselected feeding eyelet swings up, and will be taken over by the scissor-like jaw of the lock.)

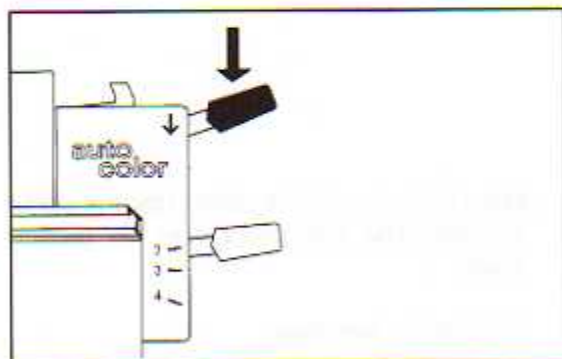
**Note:** never move into the colour changer if there is a feeding eyelet support with feeding eyelet in the up position.

You can now knit normally with the selected colour. Make sure that you do not accidentally move into the colour changer as the colour changer might take over the feeding eyelet, and you would be left without yarn in the lock.



**If you wish to knit across the whole width of the needle bed:**

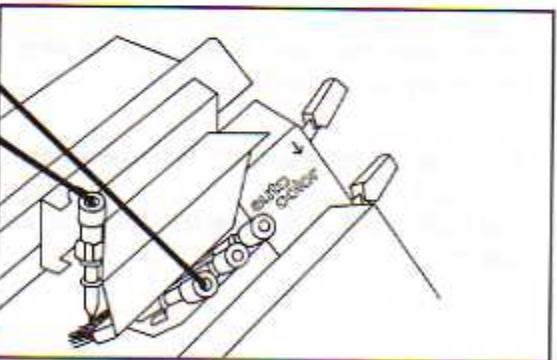
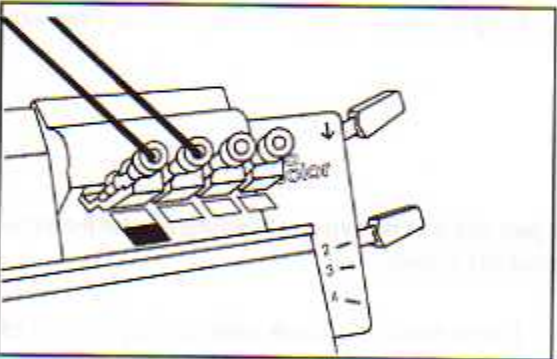
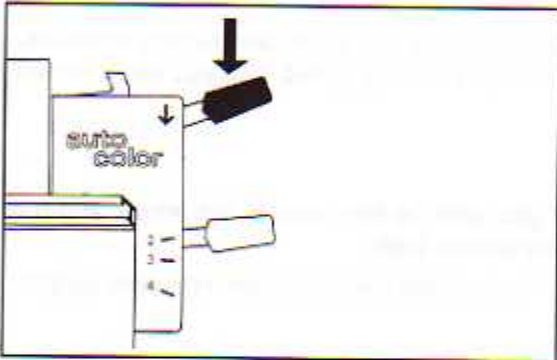
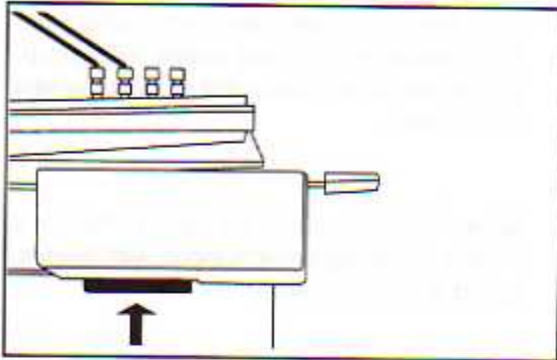
1. Press down the empty feeding eyelet support.
2. Bring the AUTOCOLOR into Neutral Position.



**If you wish to return the feeding eyelet into the support again:**

1. Press down the black selector key in front of the empty support until it clicks into place.
2. Press down the main lever until the empty feeding eyelet support swings up.
3. Move the lock into the colour changer as far as the catch.  
The feeding eyelet is again taken over by the support.

## Knitting in two colours



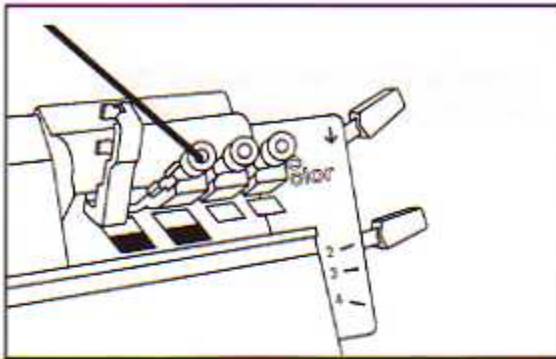
1. Start by pressing down all feeding eyelets and bringing the AUTOCOLOR in Neutral Position.

2. Press the main lever down once.

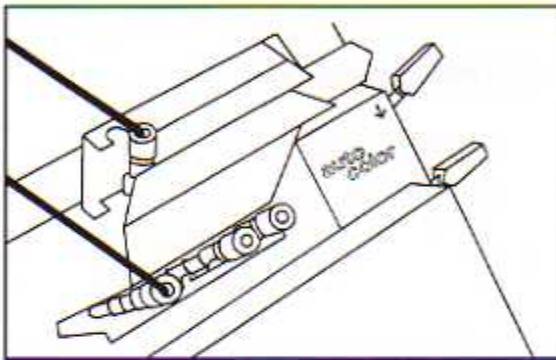
3. Press the black selector key which is in front of the feeding eyelet you wish to knit with, down until it clicks into place.

4. Move the lock up to the catch in the the colour changer. The lock takes over the feeding eyelet.

Knit the first two rows.



5. Before moving into colour changer again, first press down the black selector key corresponding to the feeding eyelet with the second colour, while holding down the key in front of the first feeding eyelet at the same time. Both selector keys must click into place at the bottom.



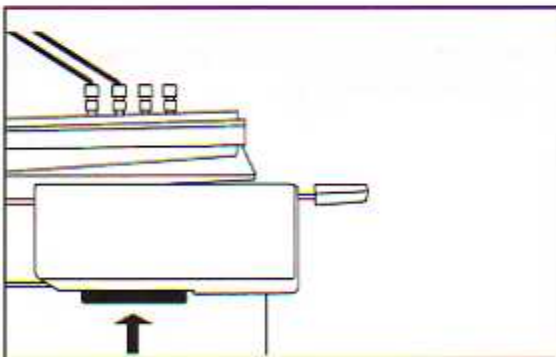
6. Move the lock into the colour changer as far as the catch. The two feeding eyelets are now interchanged.

If you wish to change the colour every two rows, always move the lock up to the catch on the right.

If you do not want to change colour, do not move the lock into the colour changer.

Two-colour knitting can be done with any feeding eyelet, e.g. feeding eyelet 2 and 4 or feeding eyelet 3 and 4, etc.

**To release the stitches:** move the empty lock across the needles.

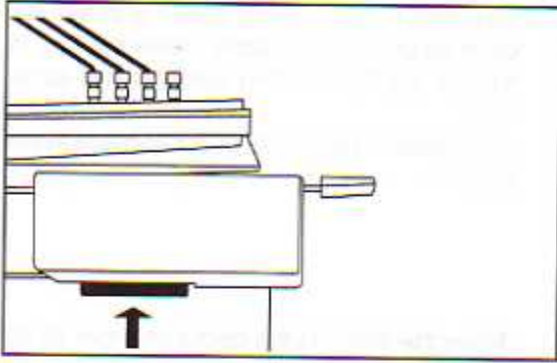


Bring the AUTOCOLOR into Neutral Position before you move into the colour changer with the last colour.

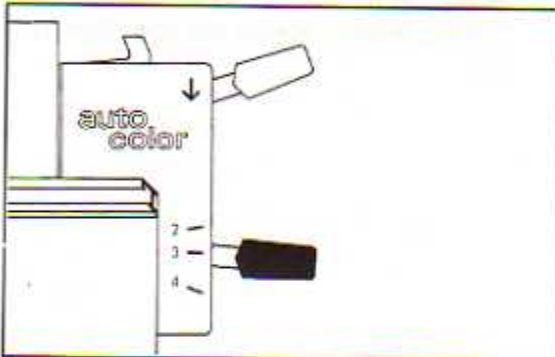
The feeding eyelet will be taken over by the feeding eyelet support, while no new feeding eyelet is brought into the lock.



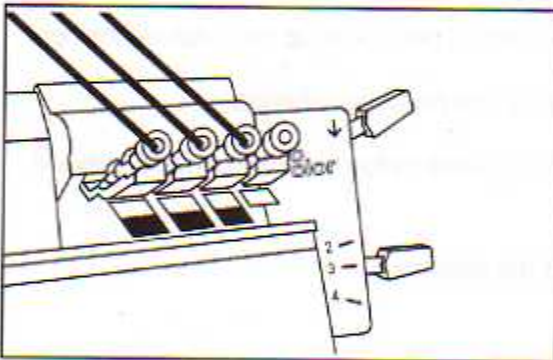
## Knitting in three colours



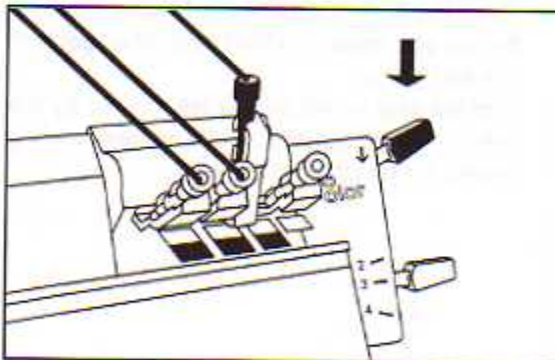
1. Press down all feeding eyelets. Bring AUTOCOLOR into Neutral Position.



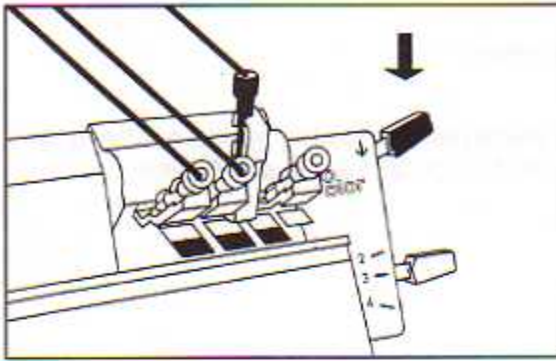
2. Set colour changer at 3.



3. Press the first three black keys from the left down simultaneously until they click into place.  
(For 3-colour knitting you can only use the first three feeding eyelets from the left.)



4. Press the main lever down. One of the feeding eyelets will swing up.



5. Press the feeding eyelet down again. If it was not the 3rd feeding eyelet from the left, continue in the same way until the 3rd feeding eyelet swings up as the last one, and is pressed down again.

**Note:** You have to press down each feeding eyelet singly again after it has swung up. If, at the end, you press down all feeding eyelets together, this may lead to errors.

Now you can knit normal, always moving up to the catch in the colour changer.

The colours are being changed in the following sequence:

1st feeding eyelet from the left = col 1

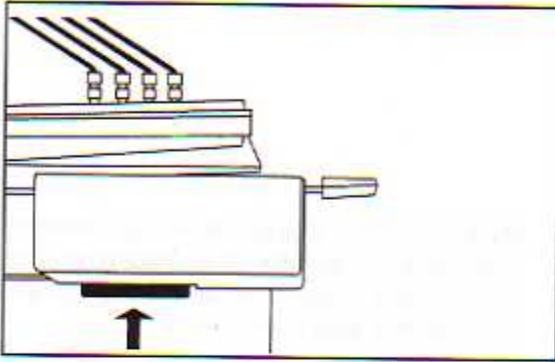
2nd feeding eyelet from the left = col 2

3rd feeding eyelet from the left = col 3

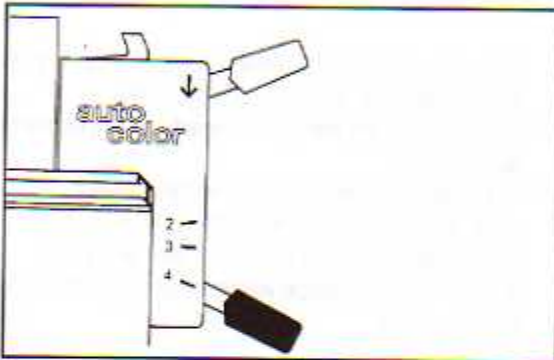
A different sequence when changing colour is not possible.

## Knitting in four colours

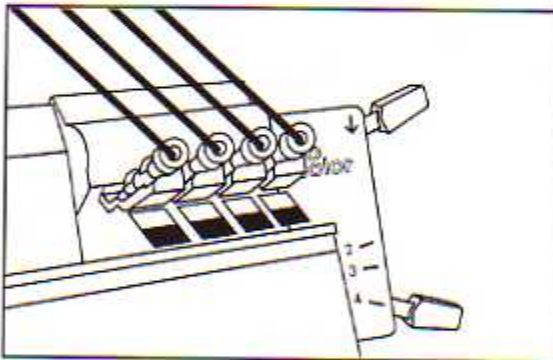
Knitting in four colours is the same as knitting in three colours:



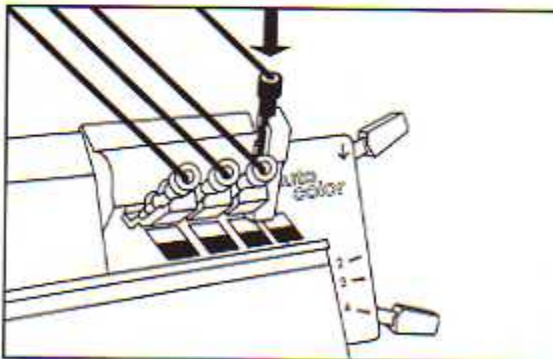
1. Press down all feeding eyelets and bring the AUTOCOLOR into Neutral Position.



2. Set colour changer at 4.



3. Press down all four black selector keys simultaneously until all four click into position.



4. Press the main lever down. One of the feeding eyelets will swing up. Press the feeding eyelet down, continuing in this way until feeding eyelet 4 swings up as the last one. Now press this one down, too, and commence knitting, always moving up to the catch of the colour changer.

**Note:** Never press down all the feeding eyelets at the same time but each one separately after it has come up.

## **The feeding eyelet surveyor**

If you knit with one of the following motor drives:

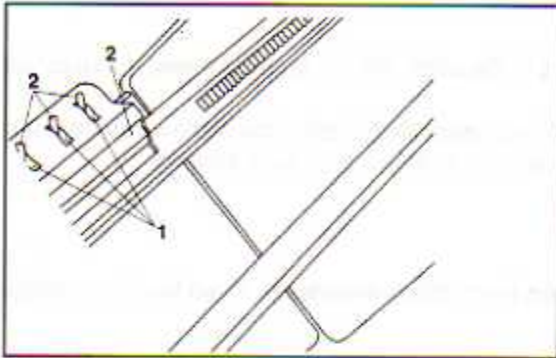
M75B, E3000, E3000A with Z1 or Z2, you can plug in the cable for the feeding eyelet surveyor as given in the assembly instructions.

If you knit without one of the above mentioned motor drives, you should fasten the cable for the feeding eyelet surveyor to your stand in such a way that it does not interfere with your knitting.

**The feeding eyelet surveyor brings the motor to an immediate standstill**, if two feeding eyelets should have come up at the same time.

### **Eliminating the fault:**

1. Switch off motor drive.
2. If the lock is not already there, move it to the right end of the needle bed but not into the AUTOCOLOR .
3. Ascertain which colour has to knit next.
4. Bring all feeding eyelets into the supports and press dow. Bring the AUTOCOLOR into Neutral Position.
5. Prepare feeding eyelets in the same way as described above for knitting.
6. If the colour you wish to use next is not the one in the first feeding eyelet, press the first feeding eyelet down. Then, press the main lever down until that particular feeding eyelet swings up with which, according to your colour sequence, you have knitted last before the one you wish to continue with now. Press this feeding eyelet down as well.
7. You can now start the motor drive again and move into the colour changer. The selected feeding eyelet will swing up and taken over by the lock.



### Greasing:

First remove dirt with dry cloth from respective spots.

- 1 For strong use 1 drop Bellodor-Oil per week
- 2 Oil slightly every day

