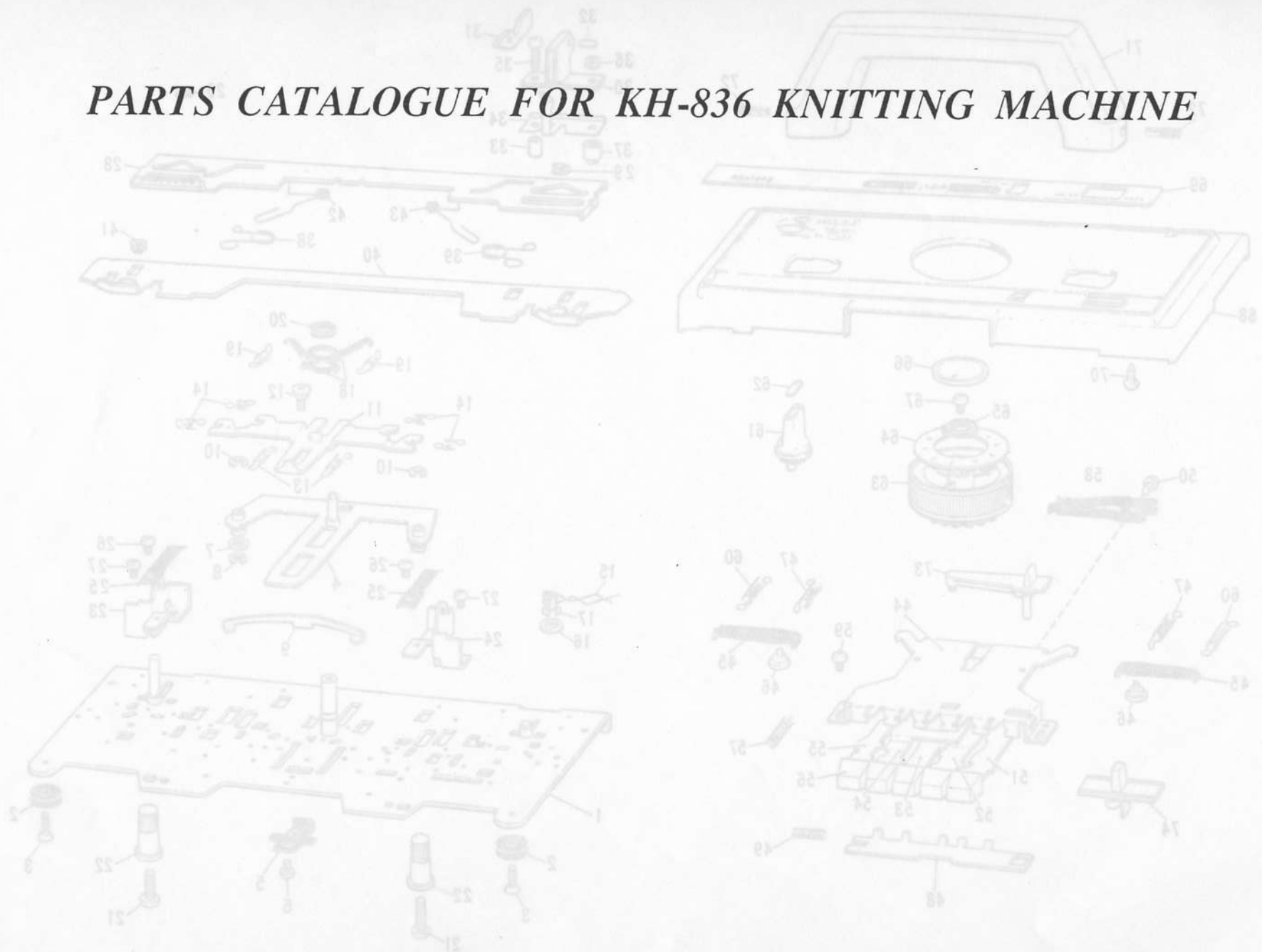
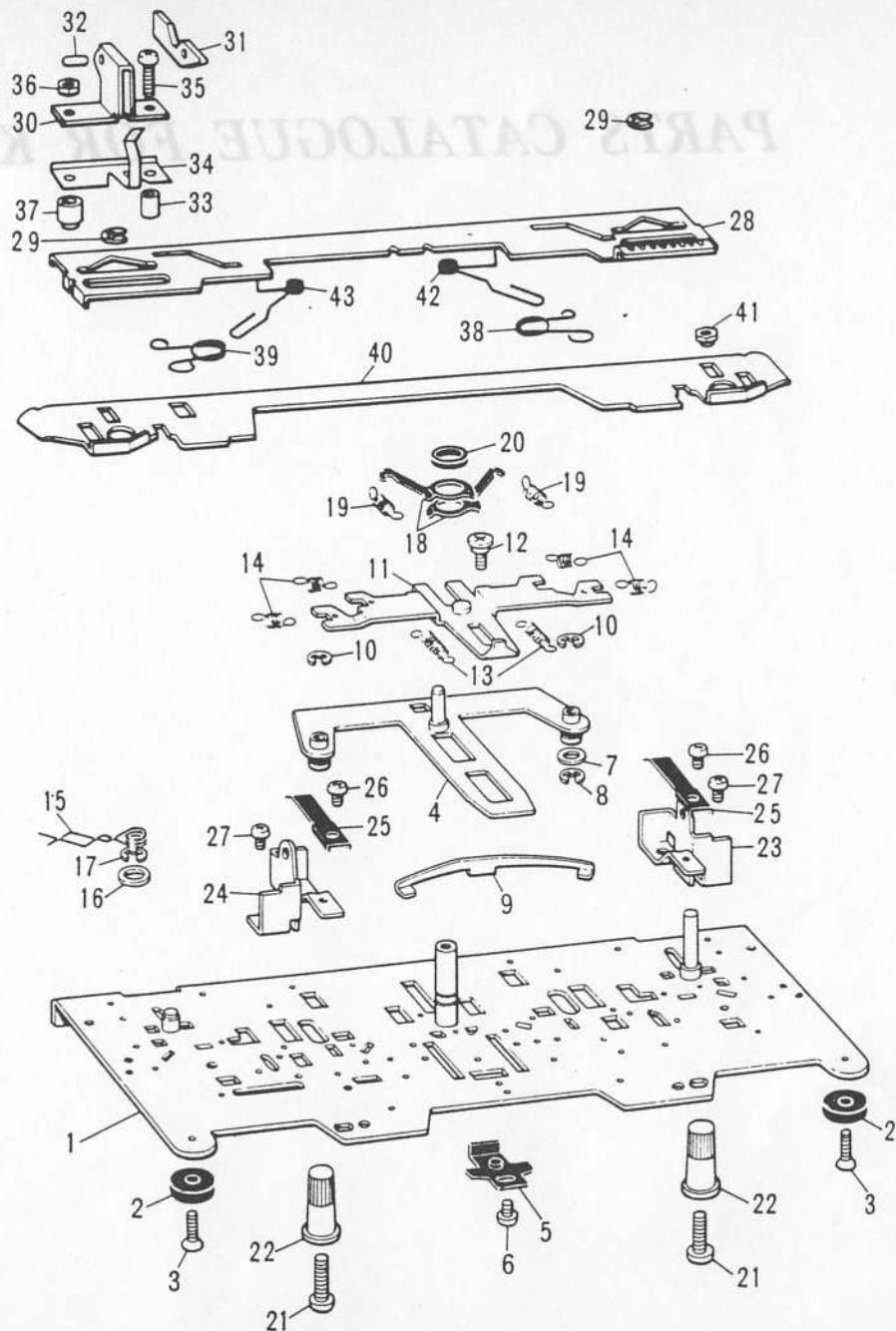
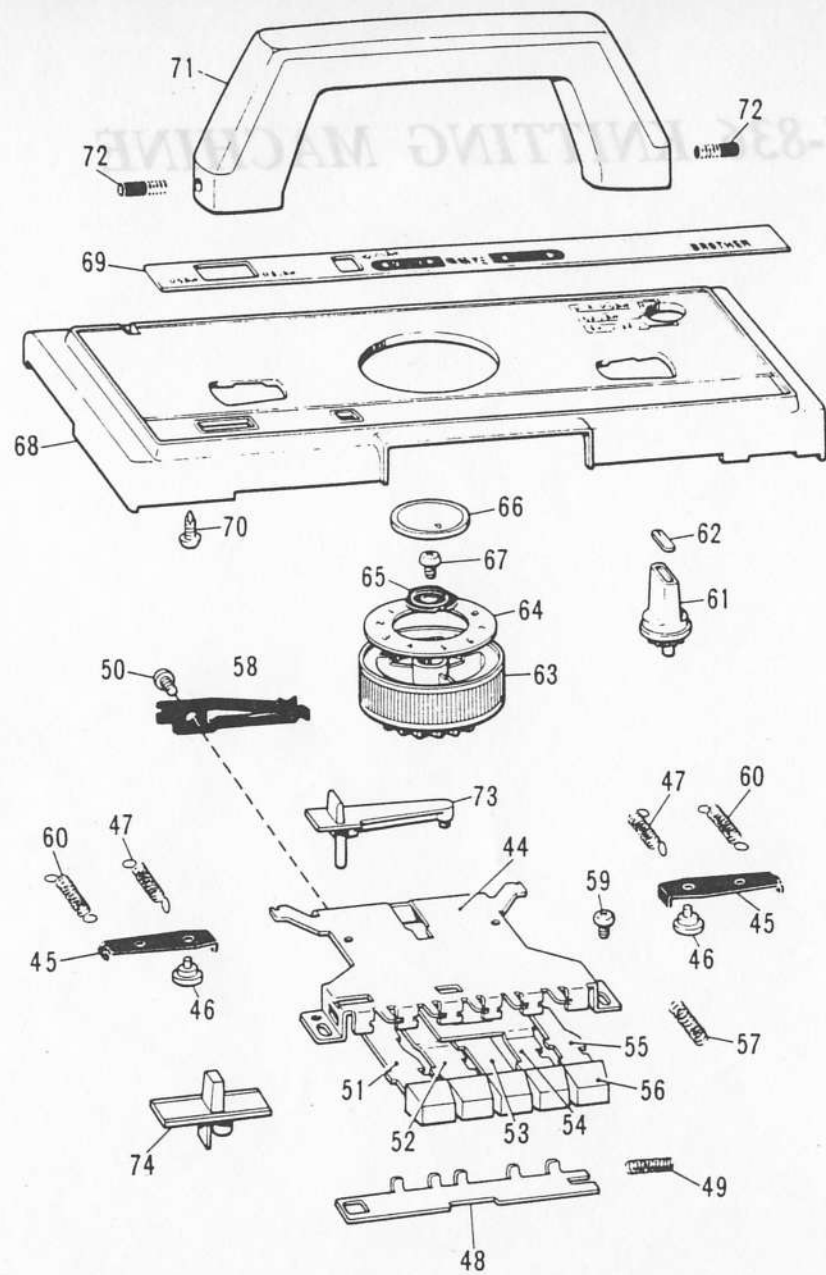


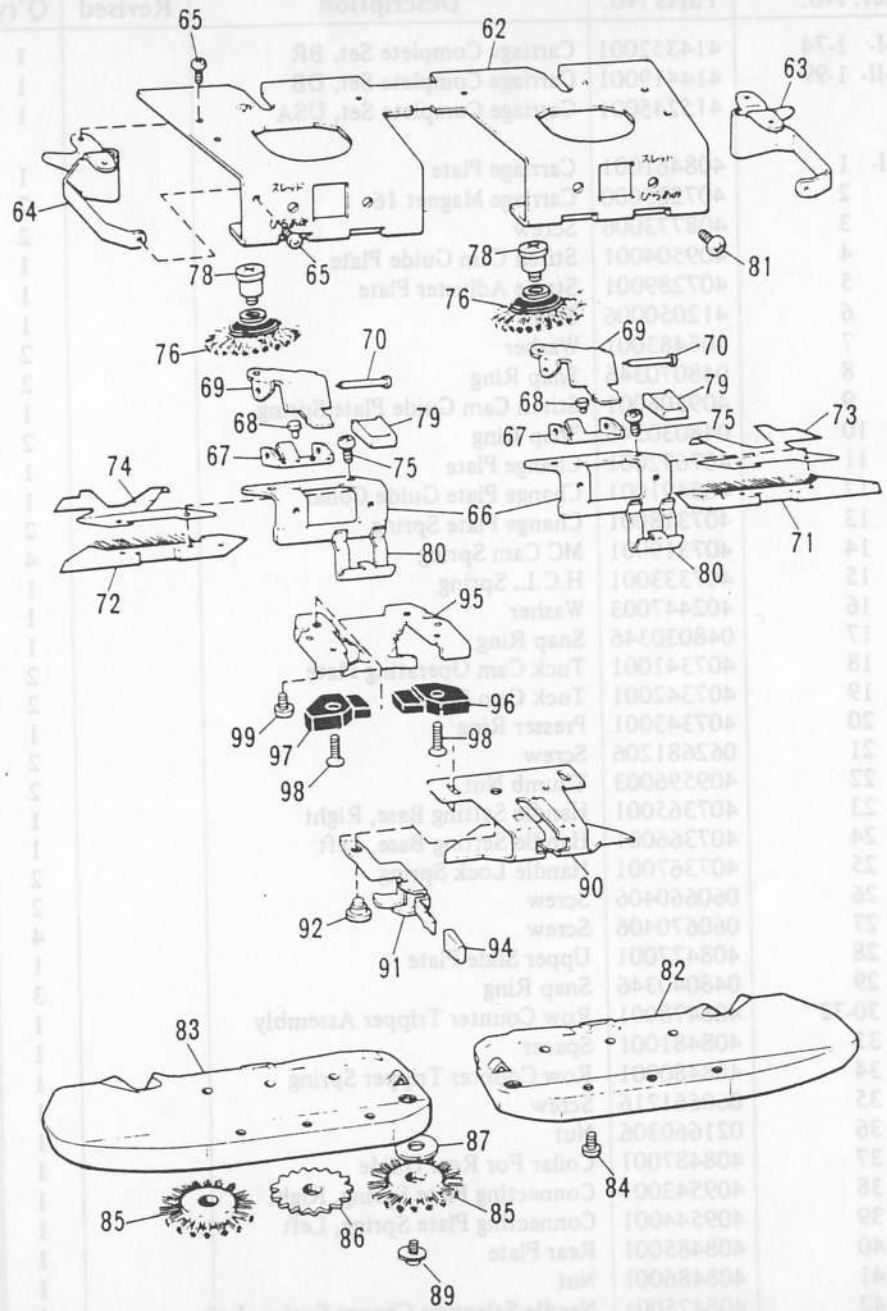
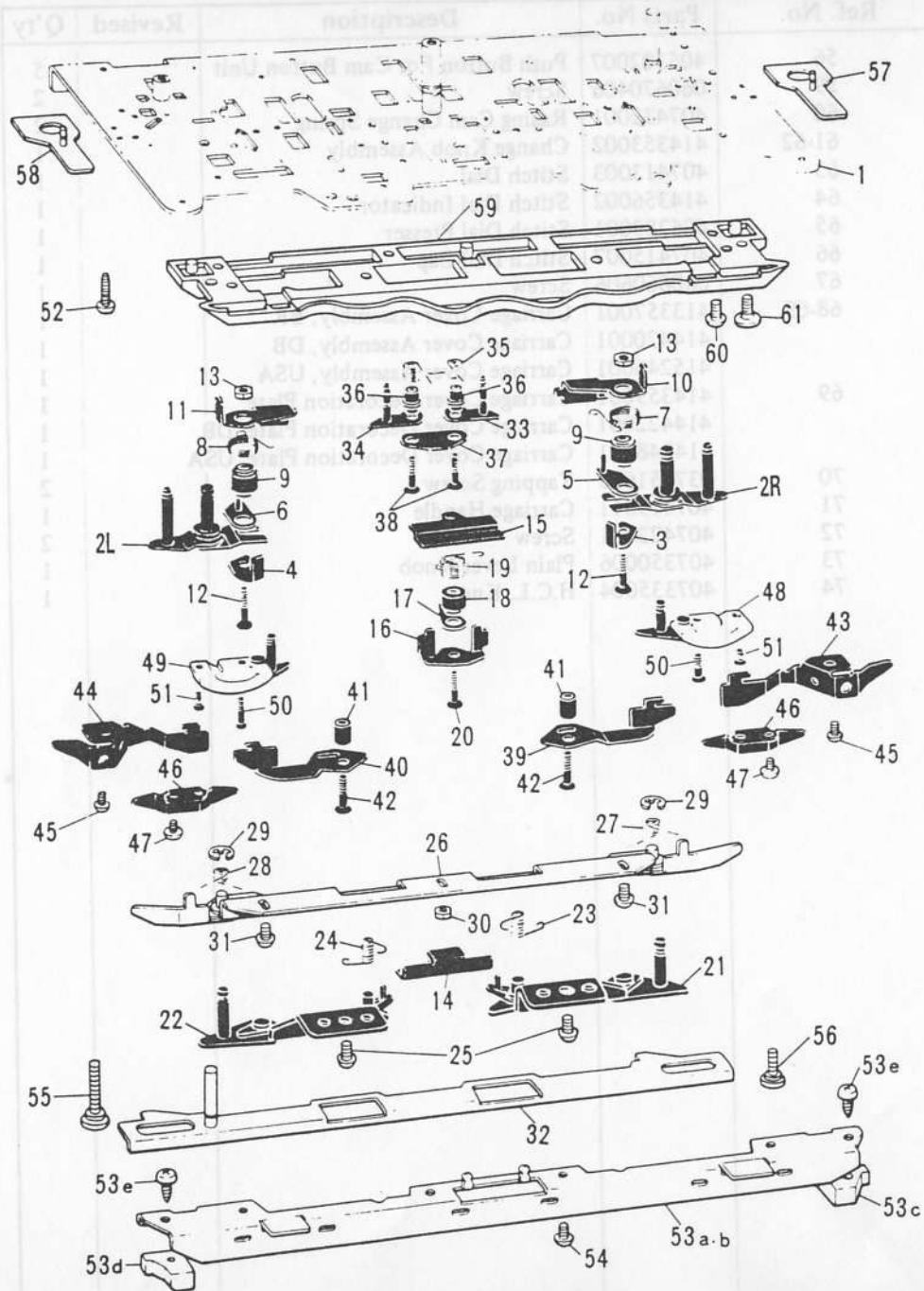
# PARTS CATALOGUE FOR KH-836 KNITTING MACHINE





# PARTS FOR CARRIAGE UPPER PART

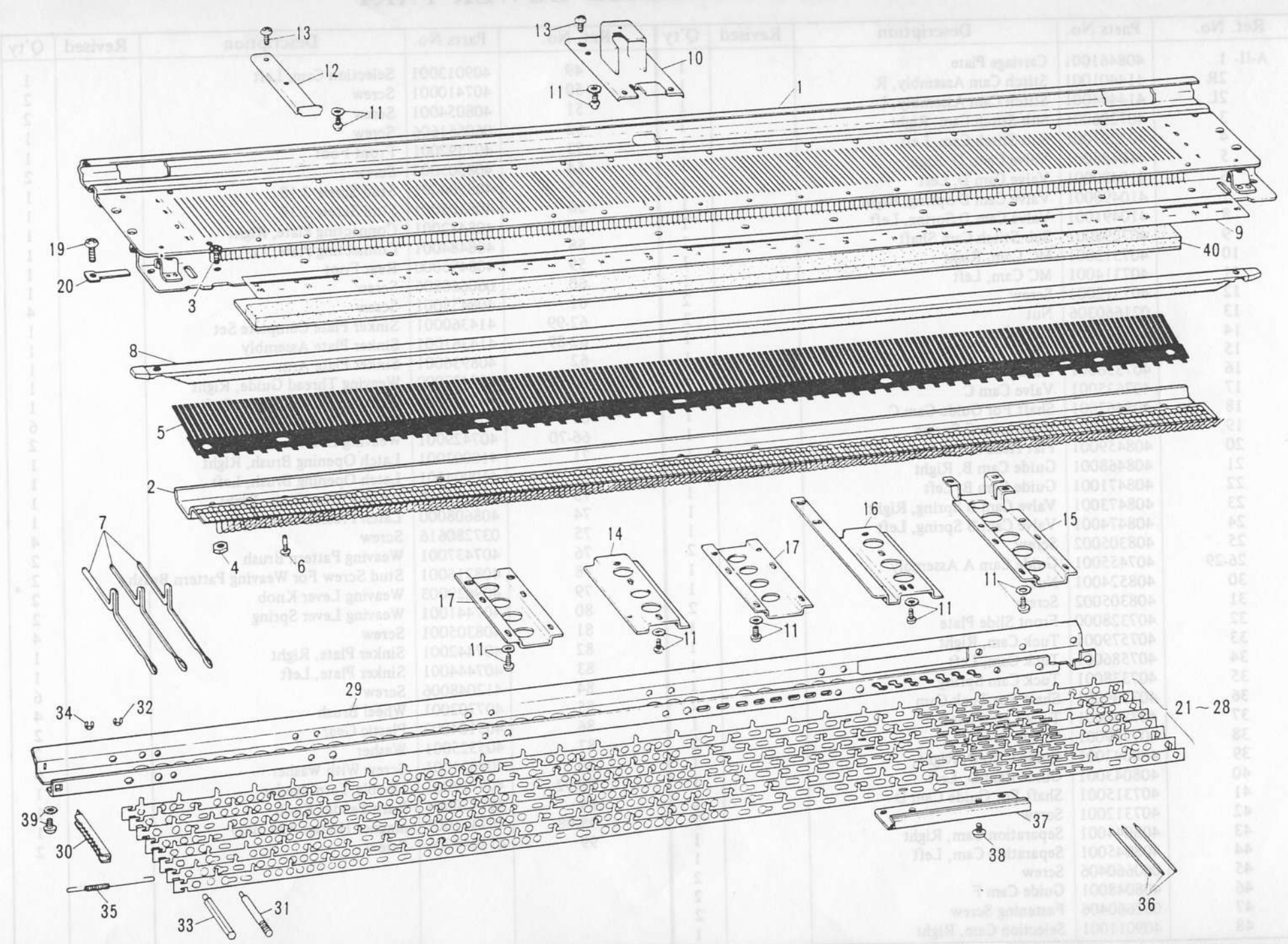
Ref. No.	Parts No.	Description	Revised	Q'ty	Ref. No.	Parts No.	Description	Revised	Q'ty
A-I- 1-74	414352001	Carriage Complete Set, BR		1	56	405302007	Push Button For Cam Button Unit		5
A-II- 1-99	414419001	Carriage Complete Set, DB		1	59	060670406	Screw		2
	415245001	Carriage Complete Set, USA		1	60	407432001	Rasing Cam Change Spring		2
A-I- 1	408461001	Carriage Plate		1	61-62	414353002	Change Knob Assembly		1
2	407285000	Carriage Magnet 16		2	63	407413003	Stitch Dial		1
3	408773006	Screw		2	64	414356002	Stitch Dial Indicator		1
4	409504001	Stitch Cam Guide Plate		1	65	406283001	Stitch Dial Presser		1
5	407289001	Stripe Adjuster Plate		1	66	407415007	Stitch Dial Cap		1
6	412050006	Screw		1	67	060660606	Screw		1
7	405483001	Washer		2	68-69	413357001	Carriage Cover Assembly, BR		1
8	048070346	Snap Ring		2		414420001	Carriage Cover Assembly, DB		1
9	409506001	Stitch Cam Guide Plate Spring		1		415246001	Carriage Cover Assembly, USA		1
10	048030346	Snap Ring		2	69	414359001	Carriage Cover Decoration Plate		1
11	407692001	Change Plate		1		414422001	Carriage Cover Decoration Plate, DB		1
12	408491001	Change Plate Guide Collar		1	70	037351615	Tapping Screw		2
13	407318001	Change Plate Spring		2	71	407419011	Carriage Handle		1
14	407319001	MC Cam Spring		4	72	407422001	Screw		2
15	407333001	H.C.L. Spring		1	73	407350006	Plain Lever Knob		1
16	402447003	Washer		1	74	407335004	H.C.L. Knob		1
17	048030346	Snap Ring		1					
18	407341001	Tuck Cam Operating Plate		2					
19	407342001	Tuck Cam Spring		2					
20	407343001	Presser Ring		1					
21	062681206	Screw		2					
22	409596003	Thumb Nut		2					
23	407365001	Handle Setting Base, Right		1					
24	407366001	Handle Setting Base, Left		1					
25	407367001	Handle Lock Spring		2					
26	060660406	Screw		2					
27	060670406	Screw		4					
28	408477001	Upper Slide Plate		1					
29	048040346	Snap Ring		3					
30-32	408478001	Row Counter Tripper Assembly		1					
33	408481001	Spacer		1					
34	408480001	Row Counter Tripper Spring		1					
35	060661216	Screw		1					
36	021660306	Nut		1					
37	408487001	Collar For Rear Guide		1					
38	409543001	Connecting Plate Spring, Right		1					
39	409544001	Connecting Plate Spring, Left		1					
40	408485001	Rear Plate		1					
41	408486001	Nut		1					
42	408475001	Needle Selection Change Spring, Left		1					
43	408476001	Needle Selection Change Spring, Right		1					
44-58	408610003	Cam Button Unit		1					



PARTS FOR CARRIAGE Fig: A II

# PARTS FOR CARRIAGE LOWER PART

Ref. No.	Parts No.	Description	Revised	Q'ty	Ref. No.	Parts No.	Description	Revised	Q'ty
A-II- 1	408461001	Carriage Plate		1	49	409013001	Selection Cam, Left		1
2R	414401001	Stitch Cam Assembly, R		1	50	407410001	Screw		2
2L	414404001	Stitch Cam Assembly, L		1	51	408054001	Screw		2
3	407296001	Sub Stitch Cam, Right		1	52	060661606	Screw		1
4	407297001	Sub Stitch Cam, Left		1	53	407392001	Front Foot		1
5	410488001	Valve Cam, D, Right		1	54	408305002	Screw		2
6	410489001	Valve Cam D, Left		1	55	408504001	Stud Screw 3.18		1
7	410490001	Valve Cam D Spring, Right		1	56	408505001	Stud Screw 3.18		1
8	410491001	Valve Cam D Spring, Left		1	57	408482001	Connecting Plate, Right		1
9	407298001	Sub Stitch Cam Shaft		2	58	408484001	Connecting Plate, Left		1
10	407313001	MC Cam, Right		1	59	408495000	Rear Foot		1
11	407314001	MC Cam, Left		1	60	060660806	Screw		1
12	407312001	Screw		2	61	408455001	Screw		4
13	021660306	Nut		2	62-99	414360001	Sinker Plate Complete Set		1
14	408465001	Slide Cam		1	62-89	414361001	Sinker Plate Assembly		1
15	408466001	Slide Cam Guide		1	62	408936001	Sinker Plate Arm		1
16	407356001	Guide Cam C		1	63	407427000	Weaving Thread Guide, Right		1
17	407635001	Valve Cam C		1	64	407428000	Weaving Thread Guide, Left		1
18	408467001	Shaft For Guide Cam C		1	65	409162001	Tapping Screw		6
19	407636001	Valve Cam C Spring		1	66-70	407429001	Weaving Lever Assembly		2
20	408459001	Flat Head Screw C		1	71	410003001	Latch Opening Brush, Right		1
21	408468001	Guide Cam B, Right		1	72	410004001	Latch Opening Brush, Left		1
22	408471001	Guide Cam B, Left		1	73	408607000	Latch Presser Plate, Right		1
23	408473001	Valve Cam B Spring, Right		1	74	408608000	Latch Presser Plate, Left		1
24	408474001	Valve Cam B Spring, Left		1	75	037280616	Screw		4
25	408305002	Screw		2	76	407437001	Weaving Pattern Brush		2
26-29	407455001	Guide Cam A Assembly		1	78	408316001	Stud Screw For Weaving Pattern Brush		2
30	408524001	Nut		1	79	409629003	Weaving Lever Knob		2
31	408305002	Screw		2	80	407441001	Weaving Lever Spring		2
32	407328000	Front Slide Plate		1	81	408305001	Screw		4
33	407579001	Tuck Cam, Right		1	82	407442001	Sinker Plate, Right		1
34	407586001	Tuck Cam, Left		1	83	407444001	Sinker Plate, Left		1
35	407338001	Tuck Cam Spring		1	84	412048006	Screw		6
36	407339001	Shaft For Tuck Cam		2	85	407702001	Wheel Brush		4
37	407340001	Tuck Cam Plate		1	86	405184002	Plastic Gear		2
38	407299001	Screw		2	87	405325001	Washer		2
39	408042001	Guide Cam D, Right		1	89	409621001	Screw With Washer		6
40	408043001	Guide Cam D, Left		1	90-92	409112001	Double Yarn Feeder		1
41	407315001	Shaft For Guide Cam D		2	94	407450004	Yarn Feeder Knob		1
42	407312001	Screw		2	95-98	407451001	Magnet Holder Assembly		1
43	408044001	Separation Cam, Right		1	99	412049006	Screw		2
44	408045001	Separation Cam, Left		1					
45	060660406	Screw		2					
46	408048001	Guide Cam F		2					
47	062660406	Fastening Screw		2					
48	409011001	Selection Cam, Right		1					









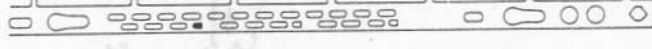

PARTS FOR NEEDLE BED Fig: B

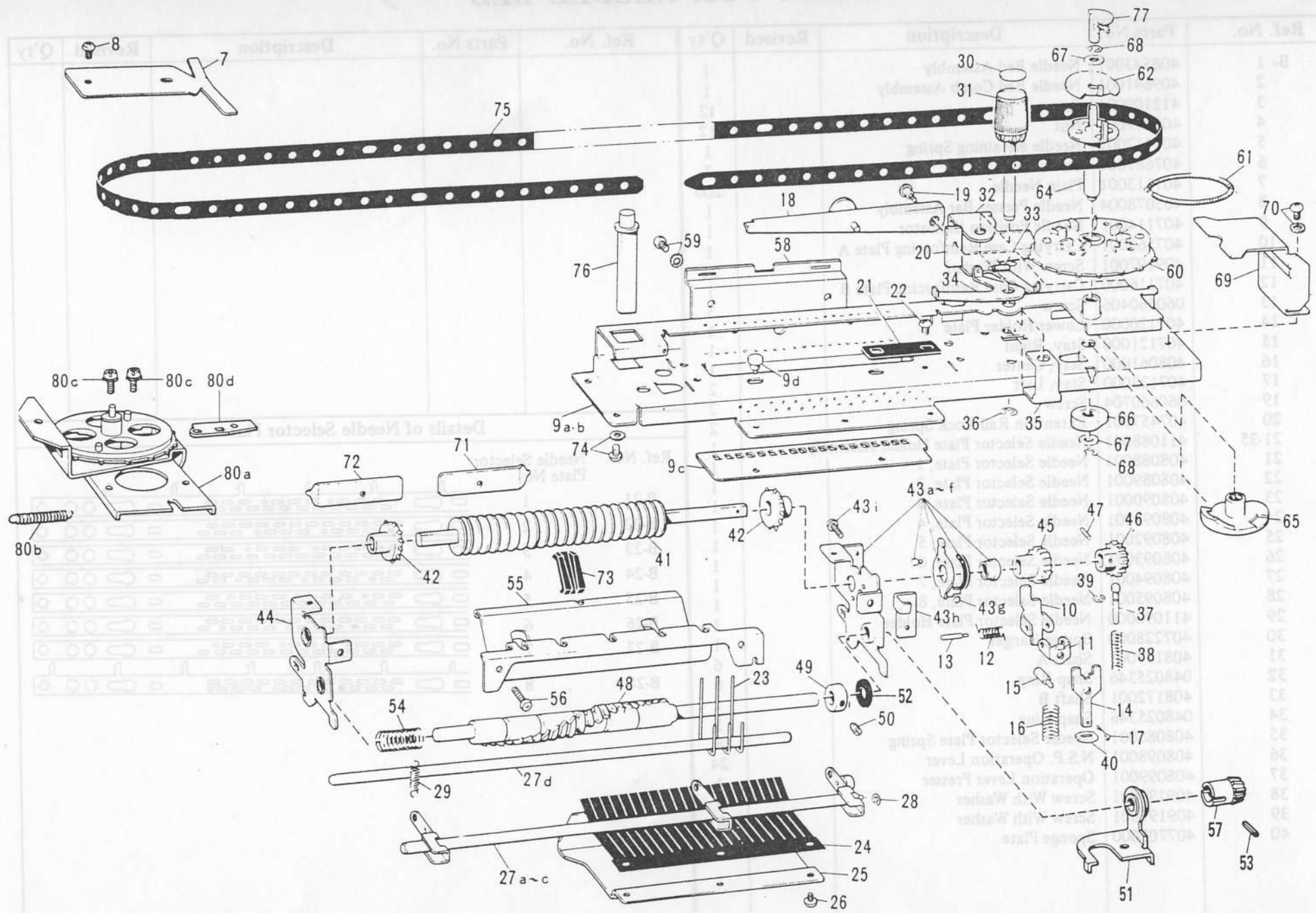
# PARTS FOR NEEDLE BED

Ref. No.	Parts No.	Description	Revised	Q'ty	Ref. No.	Parts No.	Description	Revised	Q'ty
B- 1	408543001	Needle Bed Assembly		1					
2	409641001	Needle Bed Comb Assembly		1					
3	412109004	Screw		12					
4	405077001	Nut		12					
5	407112001	Needle Retaining Spring		1					
6	407687001	Screw		3					
7	407113001	Plain Needle		200					
8	405078004	Needle Presser Bar Assembly		1					
9	407114001	Needle Position Indicator		1					
10	407565001	Carrying Case Reinforcing Plate A		1					
11	409197001	Screw With Washer		21					
12	407116000	Carrying Case Reinforcing Plate B		1					
13	060660406	Screw		3					
14	407120000	Lower Holder Plate		1					
15	407121000	Stay, Right		1					
16	408061000	Stay, Center		1					
17	407123000	Stay, Left		2					
19	060660704	Screw		2					
20	407457001	Extention Rail Lock Spring		2					
21-35	411088001	Needle Selector Plate Holder Assembly		1					
21	408088001	Needle Selector Plate, 1		1					
22	408089001	Needle Selector Plate, 2		1					
23	408090001	Needle Selector Plate, 3		1					
24	408091001	Needle Selector Plate, 4		1					
25	408092001	Needle Selector Plate, 5		1					
26	408093001	Needle Selector Plate, 6		1					
27	408094001	Needle Selector Plate, 7		1					
28	408095001	Needle Selector Plate, 8		1					
29	411090000	Needle Selector Plate Holder		1					
30	407228000	Spring Hanger		1					
31	408159001	Shaft A		6					
32	048025346	Snap Ring		6					
33	408172001	Shaft B		1					
34	048025346	Snap Ring		1					
35	408086001	Needle Selector Plate Spring		8					
36	408098001	N.S.P. Operation Lever		24					
37	408099001	Operation Lever Presser		1					
38	409197001	Screw With Washer		2					
39	409197001	Screw With Washer		8					
40	407703000	Sponge Plate		1					

**Details of Needle Selector Plate.**

Ref. No.	Needle Selector Plate No.	
B-21	1	
B-22	2	
B-23	3	
B-24	4	
B-25	5	
B-26	6	
B-27	7	
B-28	8	



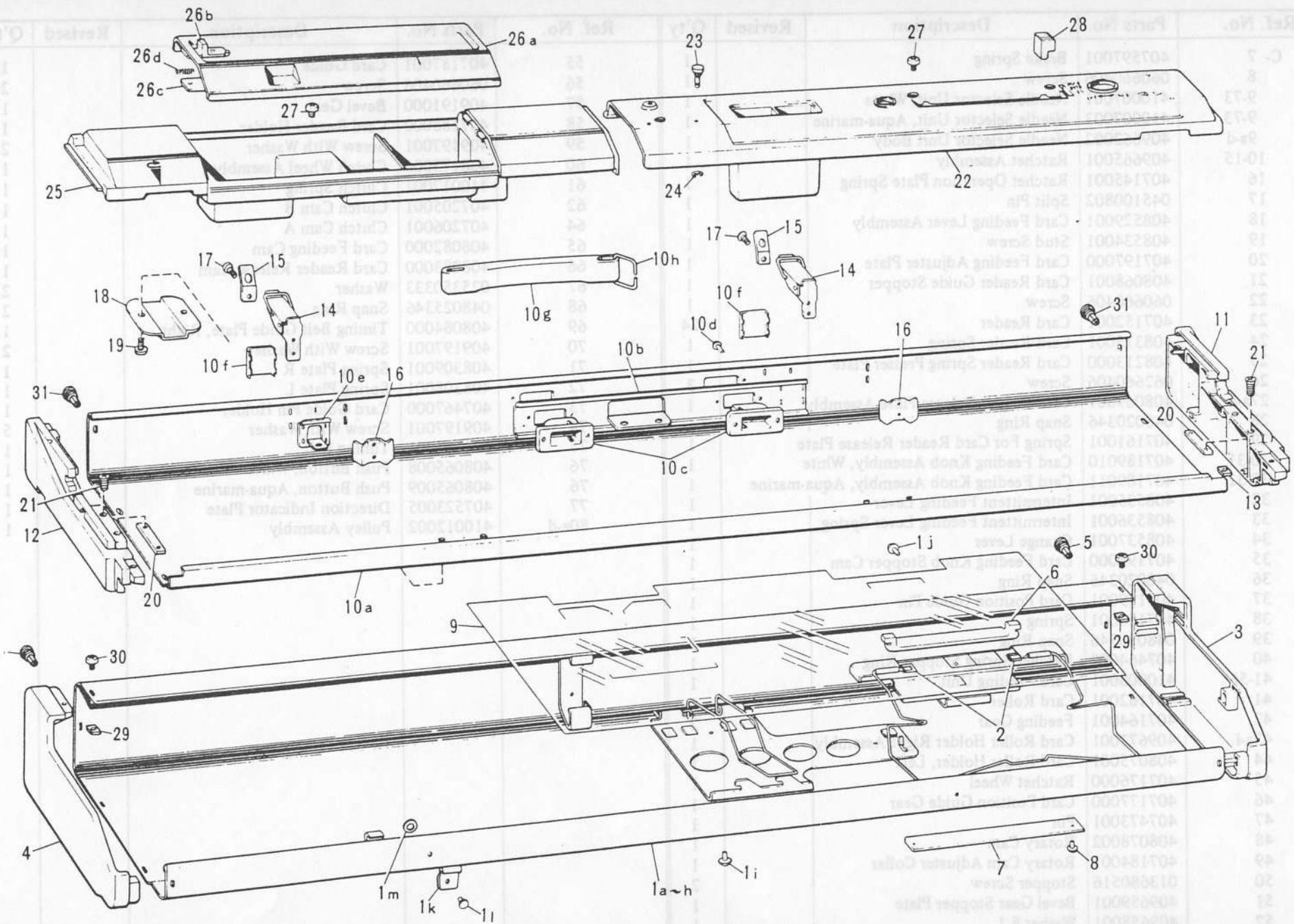
NEEDLE SELECTOR UNIT

Fig: C



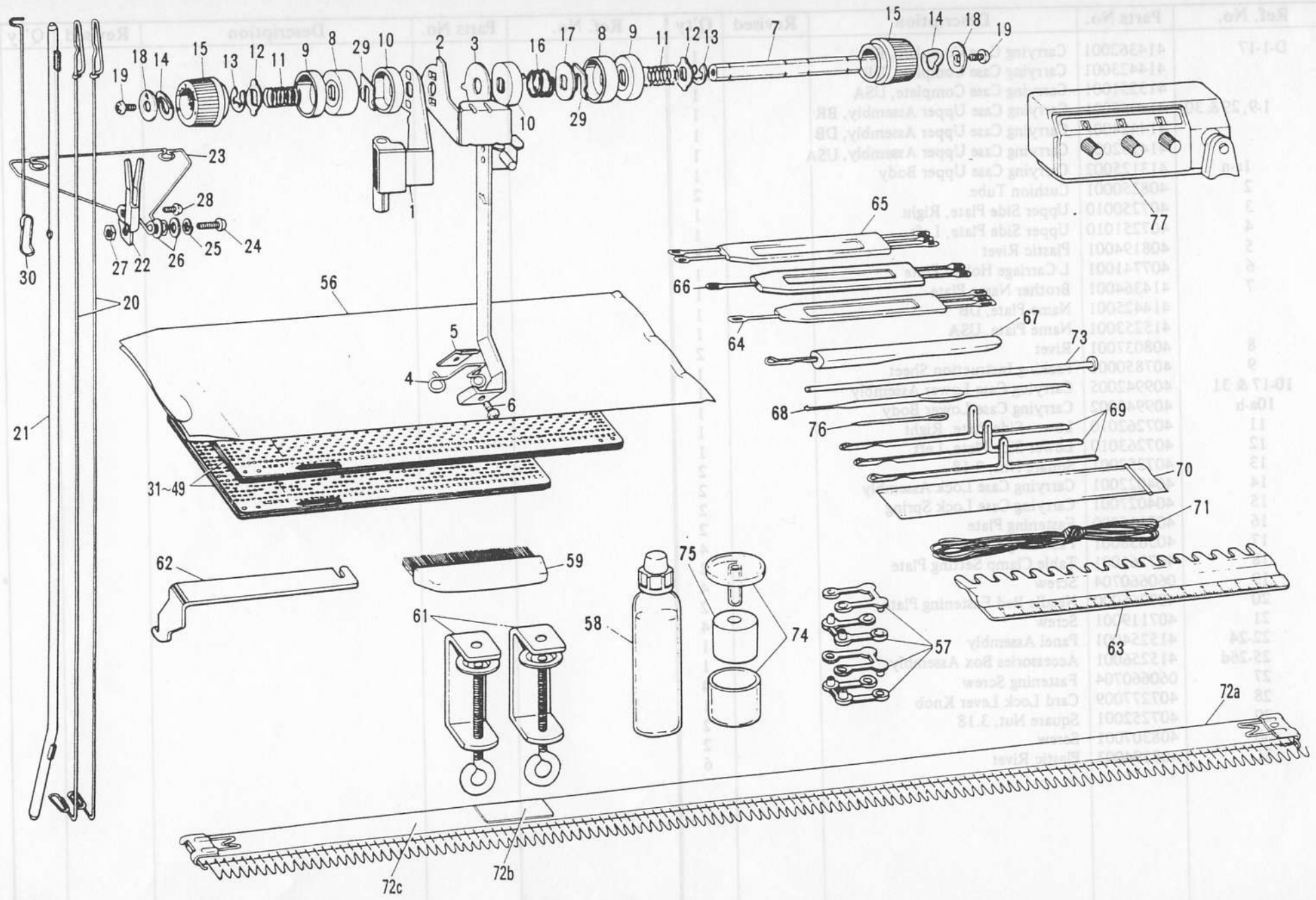
# PARTS FOR NEEDLE SELECTOR UNIT

Ref. No.	Parts No.	Description	Revised	Q'ty	Ref. No.	Parts No.	Description	Revised	Q'ty
C- 7	407597001	Brake Spring		1	55	407187001	Card Guide		1
8	060660406	Screw		1	56	060660406	Screw		2
9-73	410007001	Needle Selector Unit, White		1	57	409191000	Bevel Gear		1
9-73	410007003	Needle Selector Unit, Aqua-marine		1	58	407188000	Card Reader Holder		1
9a-d	409662002	Needle Selector Unit Body		1	59	409197001	Screw With Washer		2
10-15	409665001	Ratchet Assembly		1	60	408173001	Clutch Wheel Assembly		1
16	407145001	Ratchet Operation Plate Spring		1	61	410017001	Clutch Spring		1
17	045100802	Split Pin		1	62	407205001	Clutch Cam B		1
18	408529001	Card Feeding Lever Assembly		1	64	407206001	Clutch Cam A		1
19	408534001	Stud Screw		1	65	408082000	Card Feeding Cam		1
20	407197000	Card Feeding Adjuster Plate		1	66	408083000	Card Reader Release Cam		1
21	408068001	Card Reader Guide Stopper		1	67	025350333	Washer		2
22	060660406	Screw		1	68	048025346	Snap Ring		2
23	407152001	Card Reader		24	69	408084000	Timing Belt Guide Plate, Right		1
24	408315001	Card Reader Spring		1	70	409197001	Screw With Washer		2
25	408213000	Card Reader Spring Presser Plate		1	71	408309001	Spring Plate R		1
26	062660406	Screw		3	72	408308001	Spring Plate L		1
27a-d	408069001	Card Reader Release Plate Assembly		1	73	407467000	Card Guide Pin Holder		1
28	048020346	Snap Ring		1	74	409197001	Screw With Washer		5
29	407161001	Spring For Card Reader Release Plate		1	75	408181001	Timing Belt		1
30-31	407189010	Card Feeding Knob Assembly, White		1	76	408065008	Push Button, White		1
30-31	407189011	Card Feeding Knob Assembly, Aqua-marine		1	76	408065009	Push Button, Aqua-marine		1
32	408535001	Intermittent Feeding Lever		1	77	407523005	Direction Indicator Plate		1
33	408536001	Intermittent Feeding Lever Spring		1	80a-d	410012002	Pulley Assembly		1
34	408537001	Change Lever		1					
35	407193000	Card Feeding Knob Stopper Cam		1					
36	048020346	Snap Ring		1					
37	407179001	Card Position Guide Pin		1					
38	407180001	Spring		1					
39	048020346	Snap Ring		1					
40	407464000	Ratchet Spring Stopper Ring		1					
41-56	410008001	Card Feeding Unit		1					
41	407162001	Card Roller		1					
42	407164001	Feeding Gear		2					
43a-i	409673001	Card Roller Holder Right Assembly		1					
44	408075001	Card Roller Holder, Left		1					
45	407176000	Ratchet Wheel		1					
46	407177000	Card Position Guide Gear		1					
47	407473001	Pin		1					
48	408078002	Rotary Cam		1					
49	407184001	Rotary Cam Adjuster Collar		1					
50	013680516	Stopper Screw		2					
51	409659001	Bevel Gear Stopper Plate		1					
52	409658001	Washer 8.1		1					
53	407183001	Pin		1					
54	408165001	Rotary Cam Spring		1					



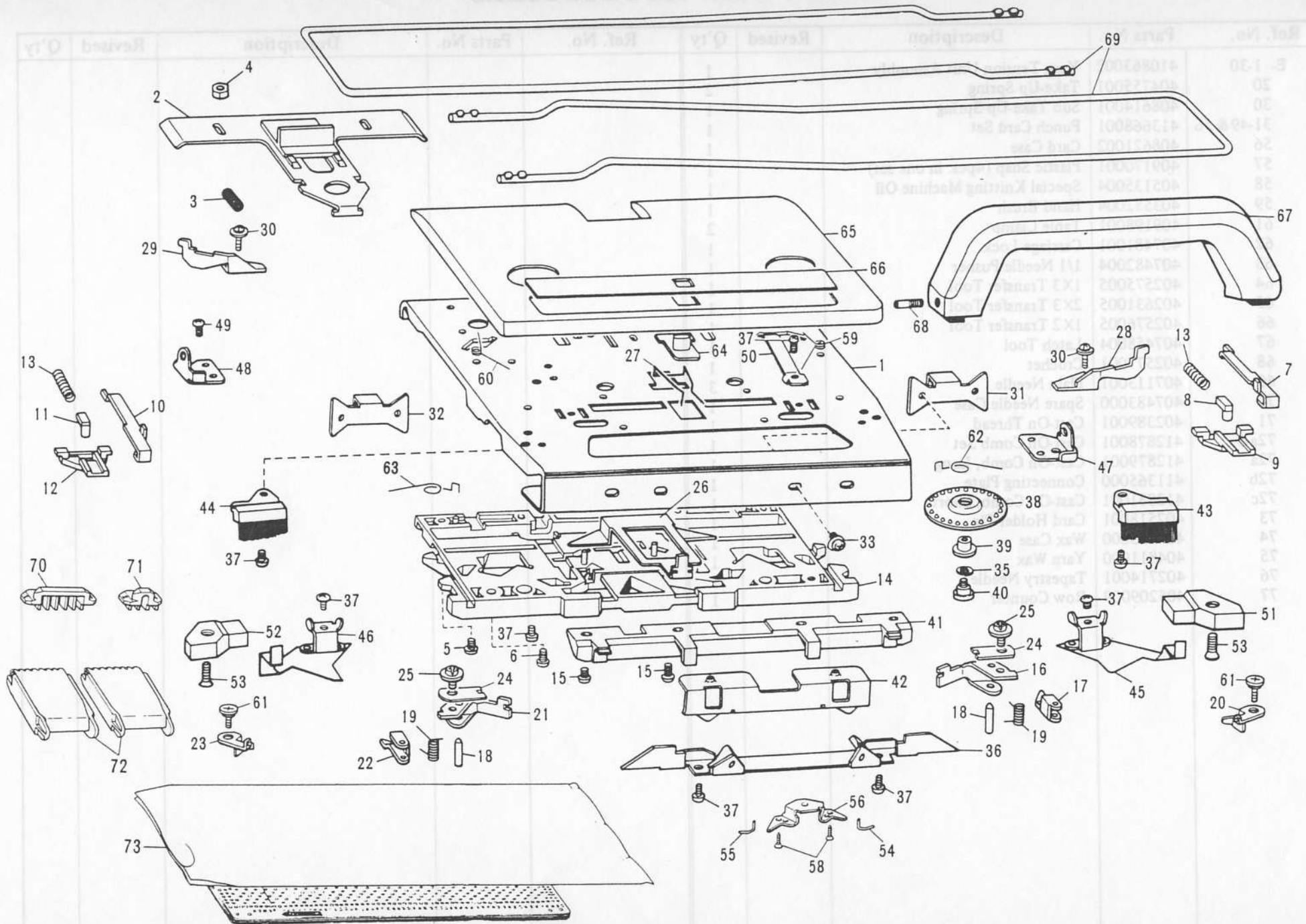
# PARTS FOR CARRYING CASE

Ref. No.	Parts No.	Description	Revised	Q'ty	Ref. No.	Parts No.	Description	Revised	Q'ty
D-1-17	414362001	Carrying Case Complete, BR		1					
	414423001	Carrying Case Complete, DB		1					
	415251001	Carrying Case Complete, USA		1					
1-9, 29 & 30	414363001	Carrying Case Upper Assembly, BR		1					
	414424001	Carrying Case Upper Assembly, DB		1					
	414252001	Carrying Case Upper Assembly, USA		1					
1a-n	413125002	Carrying Case Upper Body		1					
2	408250001	Cushion Tube		2					
3	407250010	Upper Side Plate, Right		1					
4	407251010	Upper Side Plate, Left		1					
5	408194001	Plastic Rivet		8					
6	407741001	L Carriage Holder Plate		1					
7	414364001	Brother Name Plate		1					
	414425001	Name Plate, DB		1					
	415253001	Name Plate, USA		1					
8	408037001	Rivet		2					
9	407850001	Packing Instruction Sheet		1					
10-17 & 31	409942005	Carrying Case Lower Assembly		1					
10a-h	409943002	Carrying Case Lower Body		1					
11	407262010	Lower Side Plate, Right		1					
12	407263010	Lower Side Plate, Left		1					
13	407252001	Square Nut, 3.18		2					
14	404022001	Carrying Case Lock Assembly		2					
15	404027001	Carrying Case Lock Spring		2					
16	407115000	Fastening Plate		2					
17	405658001	Fastening Screw		4					
18	407261001	Table Clamp Setting Plate		2					
19	060660704	Screw		4					
20	407265000	Needle Bed Fastening Plate		2					
21	407119001	Screw		4					
22-24	415254001	Panel Assembly		1					
25-26d	415256001	Accessories Box Assembly		1					
27	060660704	Fastening Screw		4					
28	407277009	Card Lock Lever Knob		1					
29	407252001	Square Nut, 3.18		2					
30	408307001	Screw		2					
31	408194003	Plastic Rivet		6					



# PARTS FOR ACCESSORIES

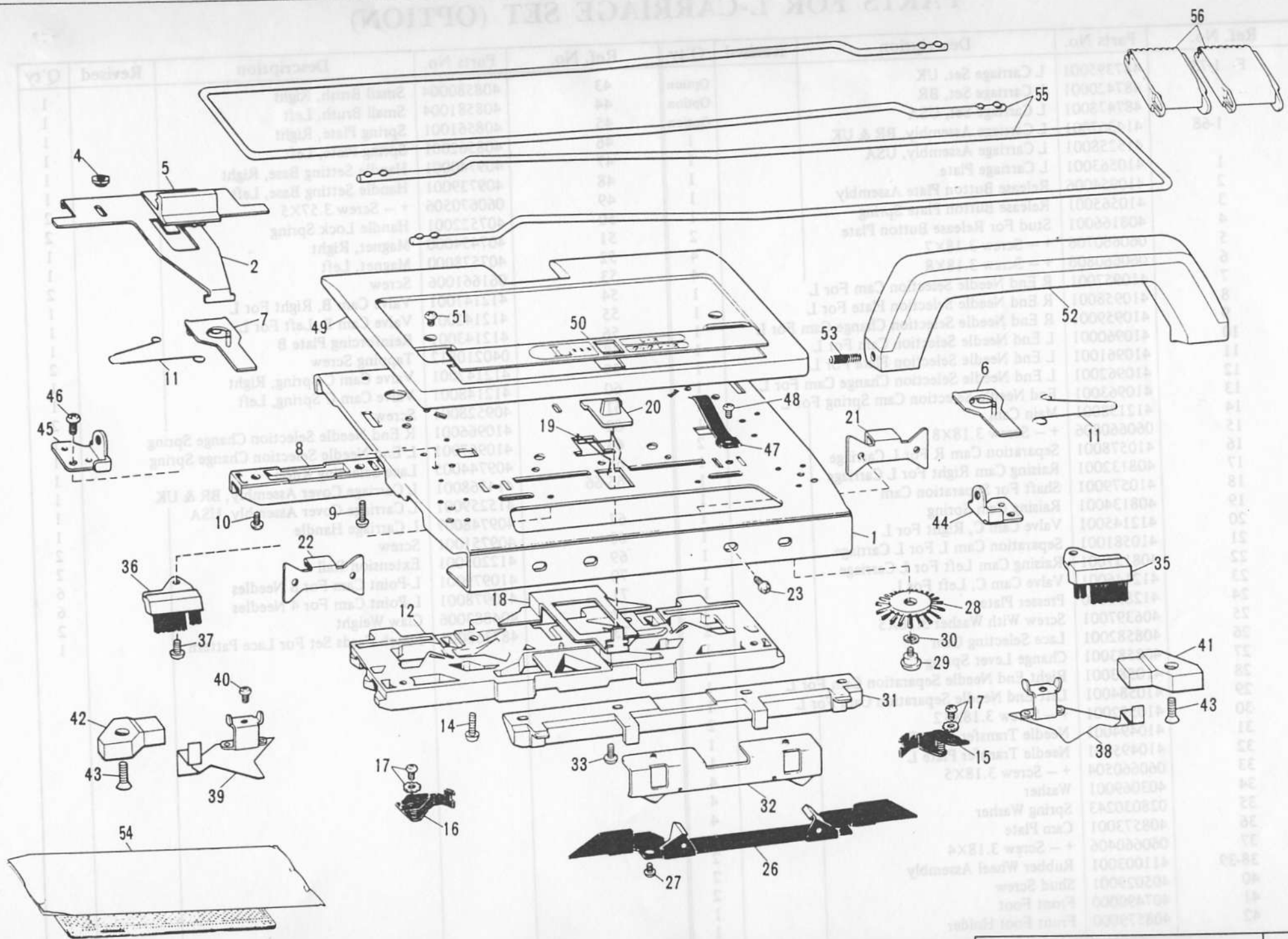
Ref. No.	Parts No.	Description	Revised	Q'ty	Ref. No.	Parts No.	Description	Revised	Q'ty
E- 1-30	410863002	Yarn Tension Unit Assembly		1					
20	404755001	Take-Up Spring		2					
30	408614001	Sub Take-Up Spring		1					
31-49 & 56	413668001	Punch Card Set		1					
56	408621002	Card Case		1					
57	409170001	Plastic Snap (4pcs. in one set)		1					
58	405135004	Special Knitting Machine Oil		1					
59	403552004	Hand Brush		1					
61	409198001	Table Clamp		2					
62	407481001	Carriage Lock		1					
63	407482004	1/1 Needle Pusher		1					
64	402575005	1X3 Transfer Tool		1					
65	402631005	2X3 Transfer Tool		1					
66	402576005	1X2 Transfer Tool		1					
67	407458004	Latch Tool		1					
68	402577001	Crochet		1					
69	407113001	Plain Needle		3					
70	407483000	Spare Needle Case		1					
71	402389001	Cast-On Thread		1					
72a-c	412878001	Cast-On Comb Set		1					
72a	412879001	Cast-On Comb, Long		1					
72b	411365000	Connecting Plate		1					
72c	412881001	Cast-On Comb, Short		1					
73	407518001	Card Holder Pin		1					
74	404823000	Wax Case		1					
75	404811000	Yarn Wax		1					
76	402714001	Tapestry Needle		1					
77	405209009	Row Counter		1					



## PARTS FOR L-CARRIAGE SET (OPTION)

Ref. No.	Parts No.	Description	Revised	Q'ty	Ref. No.	Parts No.	Description	Revised	Q'ty
F- 1-73	487395001	L Carriage Set, UK		Option	43	408580004	Small Brush, Right		1
	487420001	L Carriage Set, BR		Option	44	408581004	Small Brush, Left		1
	487478001	L Carriage Set, USA		Option	45	408561001	Spring Plate, Right		1
1-68	414367001	L Carriage Assembly, BR & UK		1	46	408562001	Spring Plate, Left		1
	415258001	L Carriage Assembly, USA		1	47	409740001	Handle Setting Base, Right		1
1	410563001	L Carriage Plate		1	48	409739001	Handle Setting Base, Left		1
2	410954006	Release Button Plate Assembly		1	49	060670506	+ - Screw 3.57X5		2
3	410565001	Release Button Plate Spring		1	50	407522001	Handle Lock Spring		2
4	408166001	Stud For Release Button Plate		2	51	407454000	Magnet, Right		1
5	060660706	+ - Screw 3.18X7		4	52	407578000	Magnet, Left		1
6	060660806	+ - Screw 3.18X8		4	53	061661006	Screw		2
7	410957001	R End Needle Selection Cam For L		1	54	412141001	Valve Cam B, Right For L		1
8	410958001	R End Needle Selection Plate For L		1	55	412142001	Valve Cam B, Left For L		1
9	410959001	R End Needle Selection Change Cam For L		1	56	412143001	Reinforcing Plate B		1
10	410960001	L End Needle Selection Cam For L		1	58	040210812	Tapping Screw		2
11	410961001	L End Needle Selection Plate For L		1	59	412147001	Valve Cam C Spring, Right		1
12	410962001	L End Needle Selection Change Cam For L		1	60	412148001	Valve Cam C Spring, Left		1
13	410963001	End Needle Selection Cam Spring For L		2	61	409528001	Screw		2
14	412138001	Main Cam		1	62	410966001	R End Needle Selection Change Spring		1
15	060660806	+ - Screw 3.18X8		2	63	410967001	L End Needle Selection Change Spring		1
16	410578001	Separation Cam R For L Carriage		1	64	409744005	Lace Selecting Knob		1
17	408132001	Raising Cam Right For L Carriage		1	65-66	414368001	L Carriage Cover Assembly, BR & UK		1
18	410579001	Shaft For Separation Cam		1		415259001	L Carriage Cover Assembly, USA		1
19	408134001	Raising Cam Spring		1	67	409748007	L Carriage Handle		1
20	412145001	Valve Cam C, Right For L		1	68	409751001	Screw		2
21	410581001	Separation Cam L For L Carriage		1	69	412205001	Extension Rail		2
22	408137001	Raising Cam Left For L Carriage		1	70	410979001	L-Point Cam For 8 Needles		6
23	412146001	Valve Cam C, Left For L		1	71	410978001	L-Point Cam For 4 Needles		6
24	412898000	Presser Plate		2	72	404883006	Claw Weight		2
25	406397001	Screw With Washer 3.18X5		2	73	487358001	Punch Cards Set For Lace Pattern		1
26	408582001	Lace Selecting Cam		1					
27	408583001	Change Lever Spring		1					
28	410583001	Right End Needle Separation Cam For L		1					
29	410584001	Left End Needle Separation Cam For L		1					
30	410592001	+ - Screw 3.18X12		2					
31	410494001	Needle Transfer Plate R		1					
32	410495001	Needle Transfer Plate L		1					
33	060660504	+ - Screw 3.18X5		4					
34	403069001	Washer		4					
35	028030243	Spring Washer		4					
36	408573001	Cam Plate		1					
37	060660406	+ - Screw 3.18X4		2					
38-39	411003001	Rubber Wheel Assembly		2					
40	405029001	Shud Screw		2					
41	407490000	Front Foot		1					
42	408579000	Front Foot Holder		1					

PARTS FOR L-CARRIAGE SET (OPTION)



PARTS FOR L-CARRIAGE SET Fig: G



## PARTS FOR L-CARRIAGE SET (OPTION)

Ref. No.	Parts No.	Description	Revised	Q'ty	Ref. No.	Parts No.	Description	Revised	Q'ty
G- 1-54	487396001	L Carriage Set For Primamore		Option	50	414415001	L Carriage Cover Decoration Plate, DB		1
1-53	414413001	L Carriage Assembly, DB		1	51	060660406	Screw		2
1	408574001	L Carriage Plate		1	52	407503010	L Carriage Handle		1
2	408127001	Release Button Plate		1	53	407422001	Screw		2
4	408166001	Stud For Release Button Plate		2	54	487358001	Punch Card Set For Lace Pattern		1
5	407496010	Release Button		1					
6	408167001	Connecting Plate R For L Carriage		1					
7	408169001	Connecting Plate L For L Carriage		1	55	410594001	Extension Rail		2
8	407493000	Rear Foot		1	56	404883006	Claw Weight		2
9	060660706	Screw		4					
11	408128001	Connecting Plate Spring		2					
12	408568000	Main Cam		1					
14	060660706	Screw		4					
15	408569001	Separation Cam R For L Carriage		1					
16	408571001	Separation Cam L For L Carriage		1					
17	409197001	Screw With Washer		2					
18	408582001	Lace Selecting Cam		1					
19	408583001	Change Lever Spring		1					
20	408584005	Lace Sleecting Knob		1					
21	408140001	Needle Transfer Plate, R		1					
22	408141001	Needle Transfer Plate, L		1					
23	413734001	Fastening Screw		4					
26	408573001	Cam Plate		1					
27	060660406	Screw		2					
28	408146002	Wheel Brush		2					
29	405029001	Stud Screw		2					
30	028030243	Spring Washer		2					
31	407490000	Front Foot		1					
32	408579001	Front Foot Holder		1					
33	060660706	Screw		4					
35	408580004	Small Brush, R		1					
36	408581004	Small Brush, L		1					
37	060660406	Screw		2					
38	408561001	Spring Plate, Right		1					
39	408562001	Spring Plate, Left		1					
40	060660406	Fastening Screw		2					
41	407454000	Magnet, Right		1					
42	407578000	Magnet, Left		1					
43	061661006	Screw		2					
44	407508001	Handle Setting Base, R		1					
45	407507001	Handle Setting Base, L		1					
46	060670506	Screw		2					
47	407522001	Handle Lock Spring		2					
48	060660406	Screw		2					
49-50	414414001	L Carriage Cover Assembly, DB		1					
49	414418001	L Carriage Cover, DB		1					

PARTS FOR L-CARRIAGE SET (OPTION)

Q'ty	Revised	Description	Part No.	Ref. No.	Q'ty	Revised	Description	Part No.	Ref. No.
1		L Carriage Cover Decoration Plate, DB	414413001	30	Option		L Carriage Set For Primamore	48799001	G-124
3		Screw	060660406	31	1		L Carriage Assembly, DB	414413001	1-23
1		L Carriage Handle	407203010	32	1		L Carriage Plate	408274001	1
3		Screw	407423001	33	1		Release Button Plate	408127001	2
1		Punch Card Set For Lace Pattern	487329001	34	3		Stud For Release Button Plate	408166001	4
					1		Release Button	407499010	5
					1		Connecting Plate R For L Carriage	408167001	6
					1		Connecting Plate L For L Carriage	408169001	7
		Extension Rail	410994001	35	1		Rear Foot	407493000	8
		Claw Weight	404883006	36	1		Screw	060660706	9
					4		Connecting Plate Spring	408128001	11
					3		Main Cam	408268000	12
					4		Screw	060660706	14
					1		Separation Cam R For L Carriage	408269001	15
					1		Separation Cam L For L Carriage	408271001	16
					3		Screw With Washer	409197001	17
					1		Lace Selecting Cam	408282001	18
					1		Change Lever Spring	408283001	19
					2		Lace Selecting Knob	408284002	20
					1		Needle Transfer Plate, R	408140001	21
					1		Needle Transfer Plate, L	408141001	22
					4		Fastening Screw	413734001	23
					1		Cam Plate	408273001	26
					3		Screw	060660406	27
					2		Wheel Brush	408146002	28
					2		Stud Screw	403029001	29
					2		Spring Washer	028030243	30
					1		Front Foot	407492000	31
					1		Front Foot Holder	408279001	32
					4		Screw	060660706	33
					1		Small Brush, R	408280004	35
					1		Small Brush, L	408281004	36
					2		Screw	060660406	37
					1		Spring Plate, Right	408281001	38
					1		Spring Plate, Left	408282001	39
					2		Fastening Screw	060660406	40
					1		Magnet, Right	407454400	41
					1		Magnet, Left	407578000	42
					2		Screw	061661006	43
					1		Handle Setting Bar, R	407308001	44
					1		Handle Setting Bar, L	407307001	45
					3		Screw	060670206	46
					3		Handle Lock Spring	407323001	47
					2		Screw	060660406	48
					1		L Carriage Cover Assembly, DB	414413001	49-50
					1		L Carriage Cover, DB	414413001	51