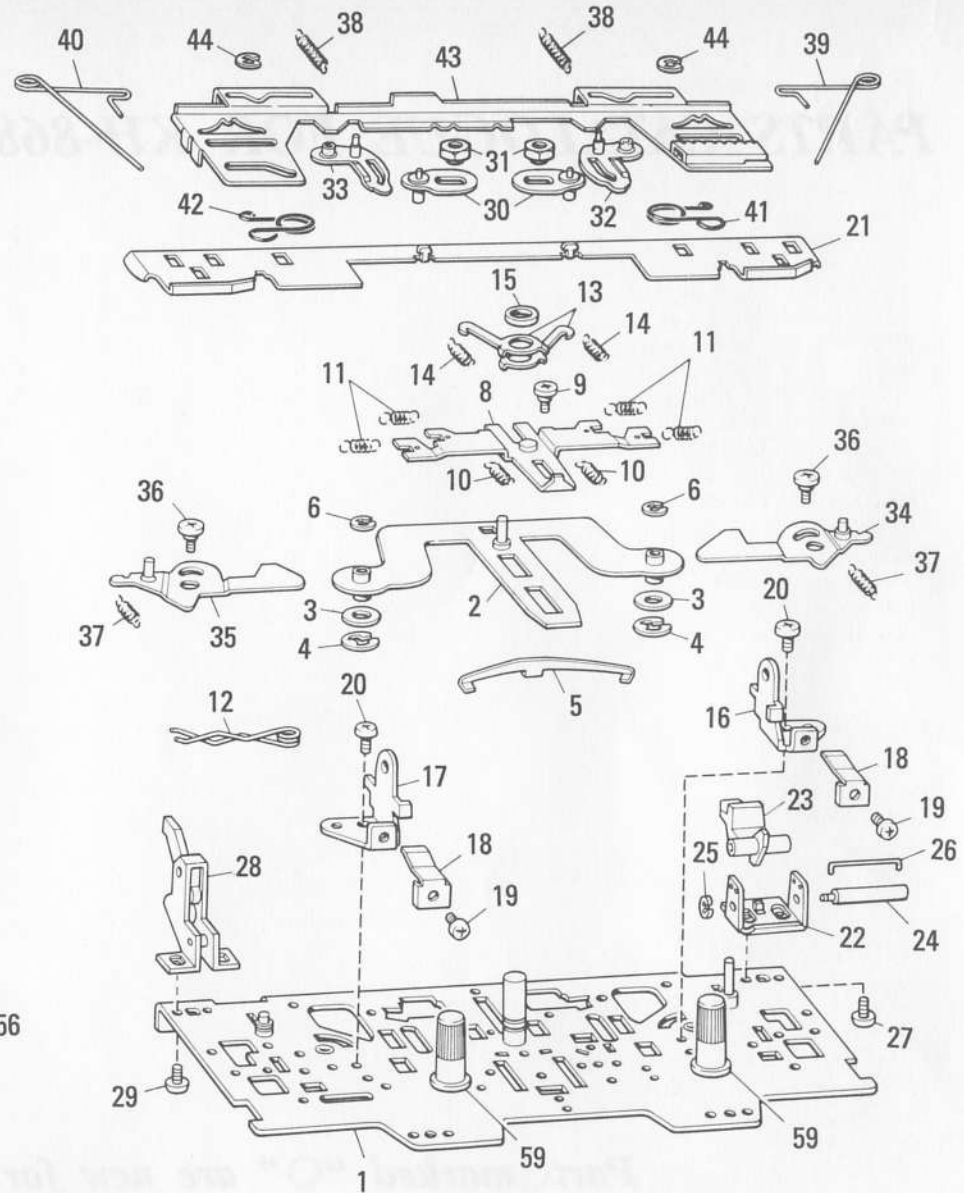
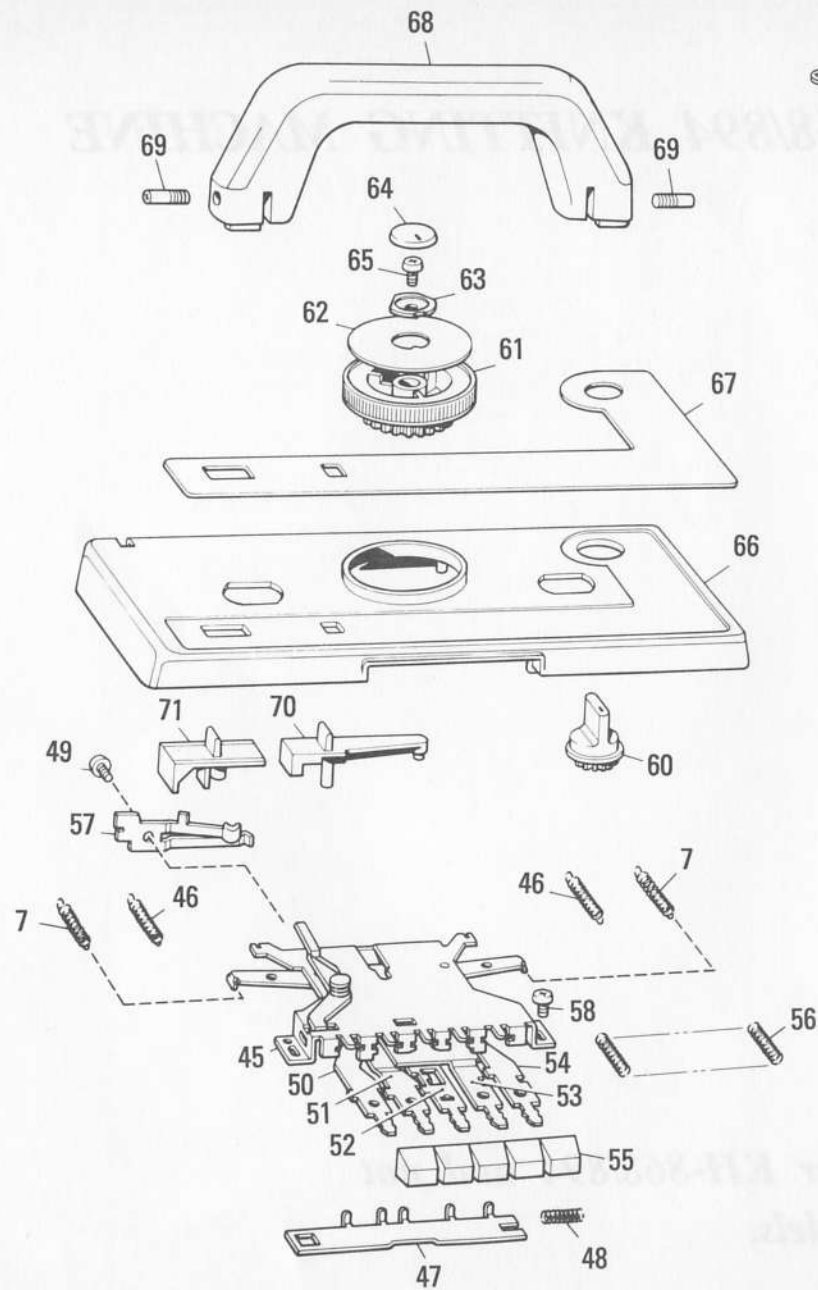


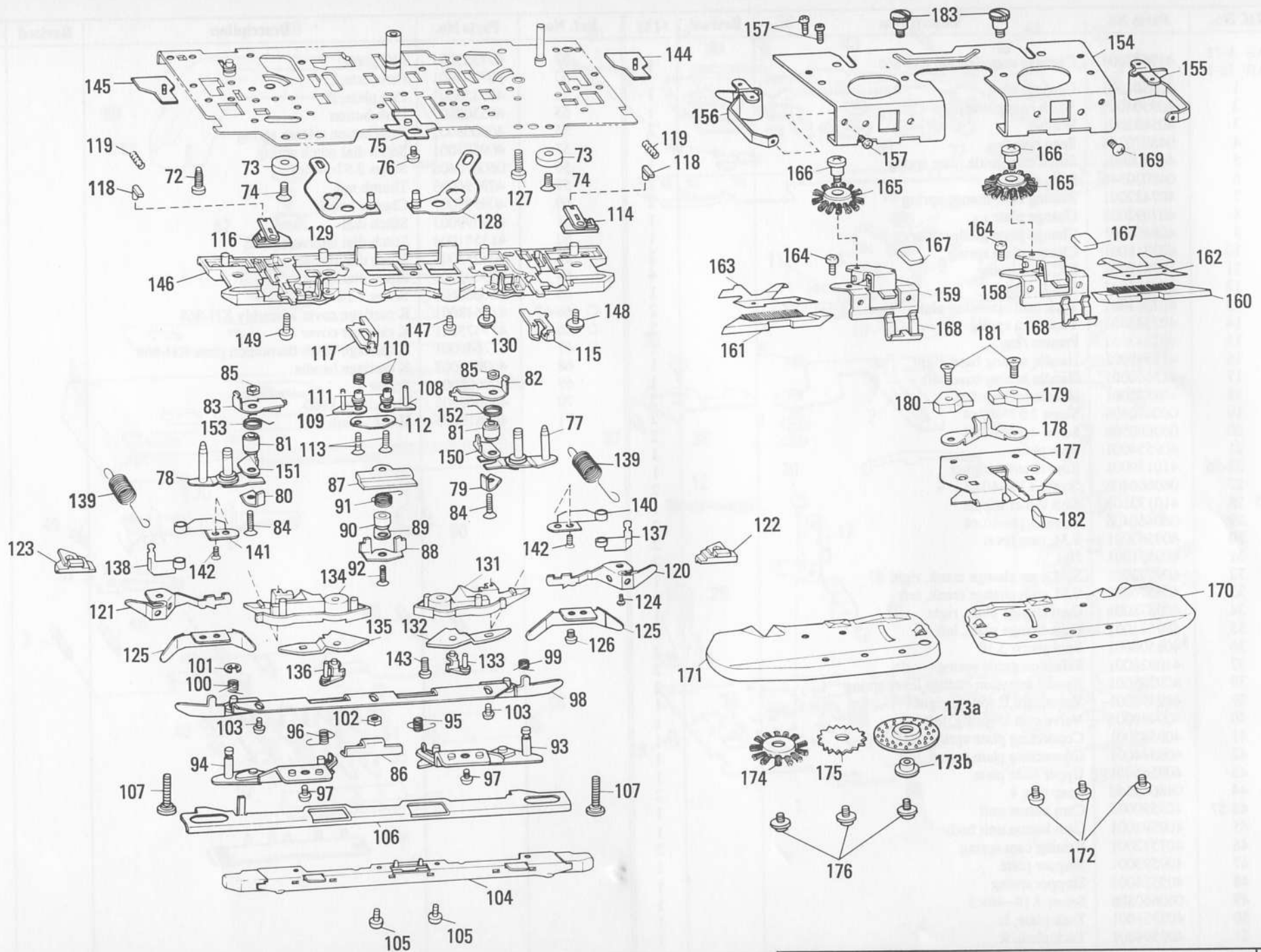
PARTS CATALOGUE FOR KH-868/894 KNITTING MACHINE

Parts marked “○” are new for KH-868/894 and not interchangeable with other models.



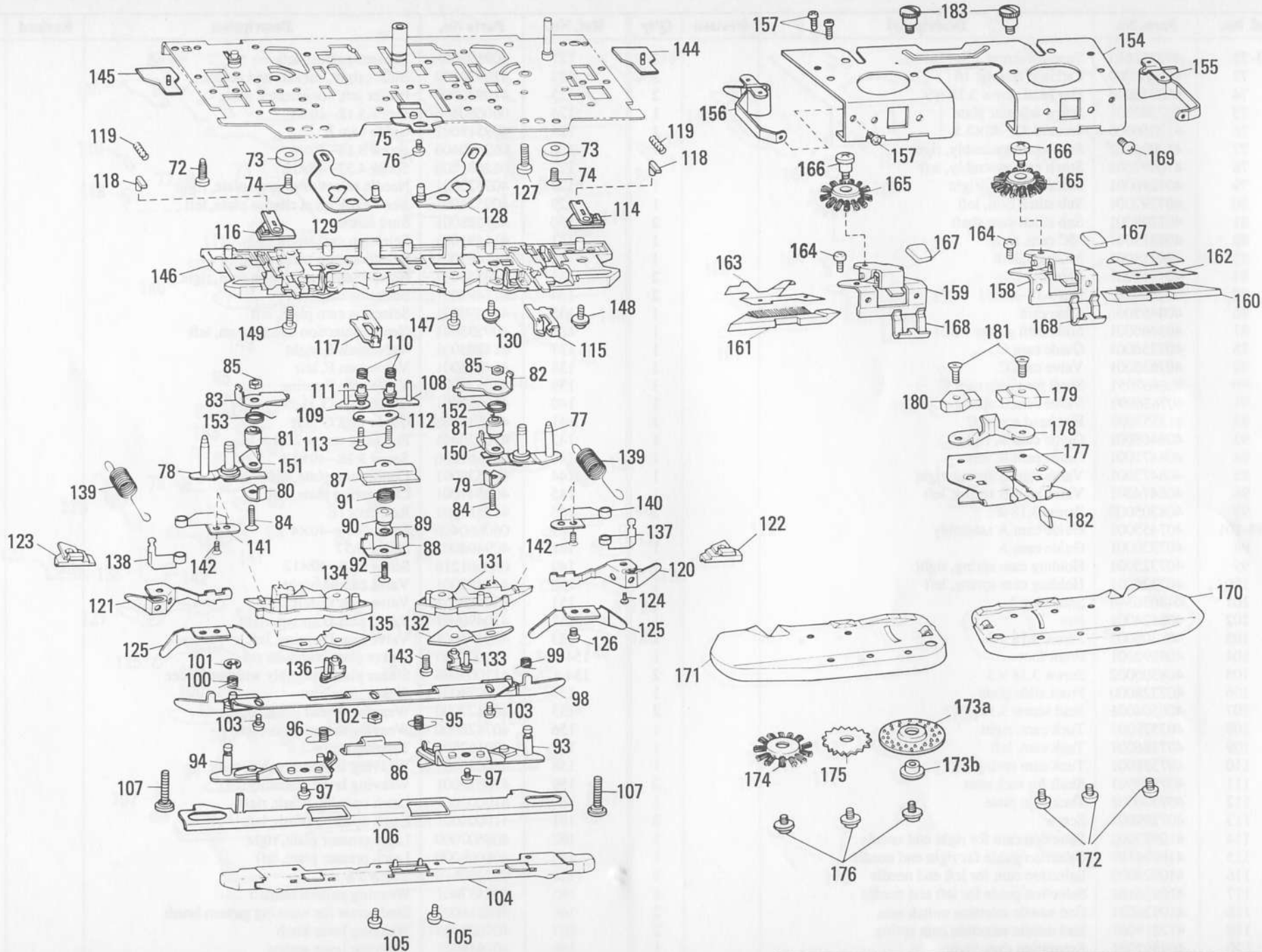
PARTS FOR CARRIAGE UPPER PART FOR KH-868

Ref. No.	Parts No.	Description	Revised	Q'ty	Ref. No.	Parts No.	Description	Revised	Q'ty
○ AI- 1-71	417647001	Carriage complete set KH-868		1	52	407353001	MC plate		1
○ AII- 72-183					53	407354001	Part plate, L		1
1	409501001	Carriage plate		1	54	407355001	Part plate, R		1
2	409504001	Stitch cam guide plate		1	55	405302007	Push button		5
3	405483001	Washer		2	56	403008001	Push button release spring		5
4	048070346	Snap ring 7		2	57	409595001	Stitch dial notch spring		1
5	409506001	Stitch cam guide plate spring		1	58	060670406	Screw 3.57-40×4		2
6	048030346	Snap ring 3		2	59	409596003	Thumb nut		2
7	407432001	Raising cam change spring		2	60	409597007	Change knob		1
8	407692001	Change plate		1	61	409599003	Stitch dial		1
9	408491001	Change plate guide collar		1	62	413581004	Stitch dial indicator plate		1
10	407318001	Change plate spring		2	63	406283001	Stitch dial presser		1
11	407319001	MC cam spring		4	64	409601006	Stitch dial cap		1
12	407333001	H.C.L. spring		1	65	060660606	Screw 3.18-40×6		1
13	407341001	Tuck cam operating plate		2	○ 66-67	417648001	K carriage cover assembly KH-868		1
14	407342001	Tuck cam spring		2	○ 66	417475001	K carriage cover		1
15	407343051	Presser ring		1	○ 67	417649001	K carriage cover decoration plate KH-868		1
16	413599001	Handle setting base, right		1	68	409605007	K carriage handle		1
17	413600001	Handle setting base, left		1	69	409608001	Screw		2
18	409522001	Handle lock spring		2	70	409609005	Plain lever knob		1
19	060670406	Screw 3.57-40×4		2	71	409610005	H.C.L. knob		1
20	060680506	Screw 4.37-40×5		2					
21	409554001	Rear plate		1					
22-26	410130001	Row counter tripper		1					
27	060660406	Screw 3.18-40×4		2					
○ 28	410132101	Knit leader tripper		1					
29	060660406	Screw 3.18-40×4		2					
30	409567001	S.M. cam lever		2					
31	409571001	Nut		2					
32	409572001	S.M. cam change crank, right		1					
33	409576001	S.M. cam change crank, left		1					
34	409578001	Cam change plate, right		1					
35	409581001	Cam change plate, left		1					
36	408506001	Stud screw 3.18		2					
37	410928001	Selection guide spring		2					
38	409585001	Needle selection change lever spring		2					
39	409498001	Valve cam E spring, right		1					
40	409499001	Valve cam E spring, left		1					
41	409543001	Connecting plate spring, right		1					
42	409544001	Connecting plate spring, left		1					
43	409565001	Upper slide plate		1					
44	048040346	Snap ring 4		2					
45-57	409590003	Cam button unit		1					
45	409591001	Cam button unit body		1					
46	407512001	Raising cam spring		2					
47	409593001	Stopper plate		1					
48	405524001	Stopper spring		1					
49	060660506	Screw 3.18-40×5		1					
50	407351001	Tuck plate, L		1					
51	409594001	Tuck plate, R		1					



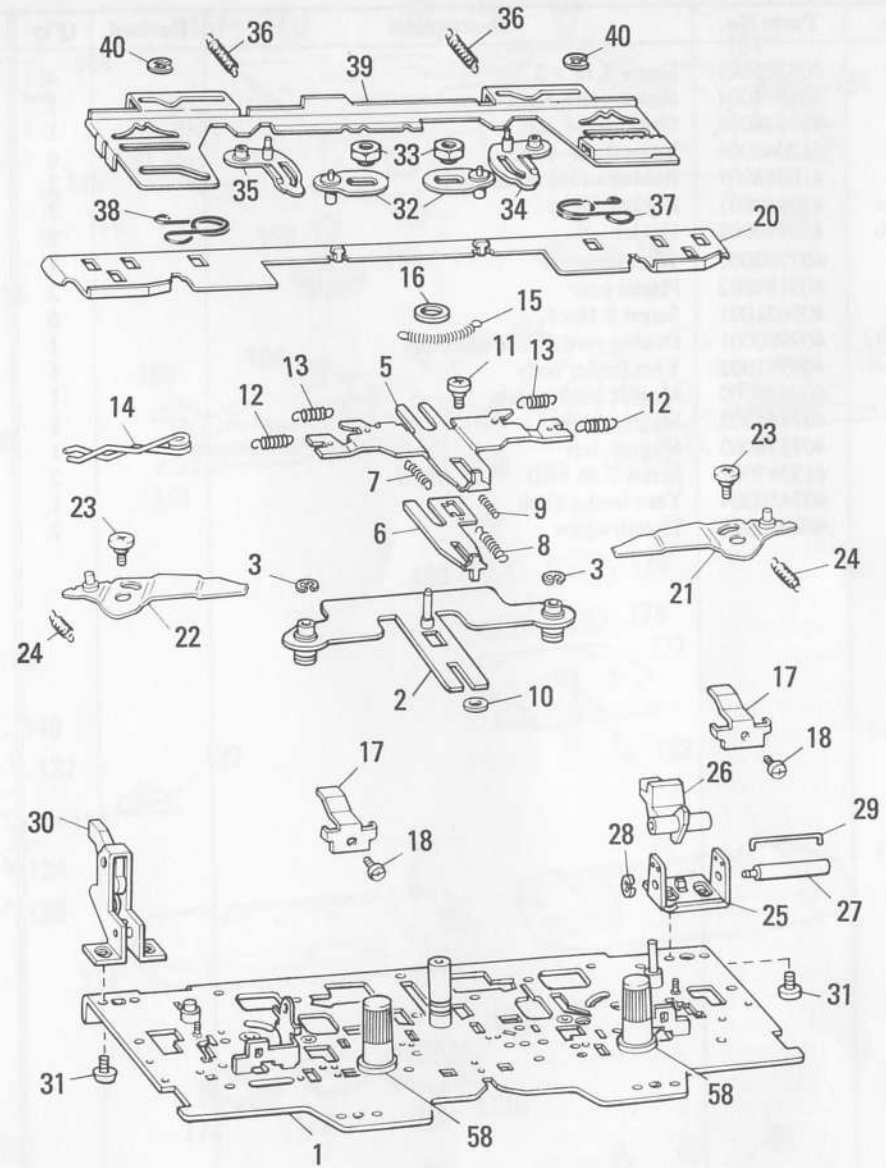
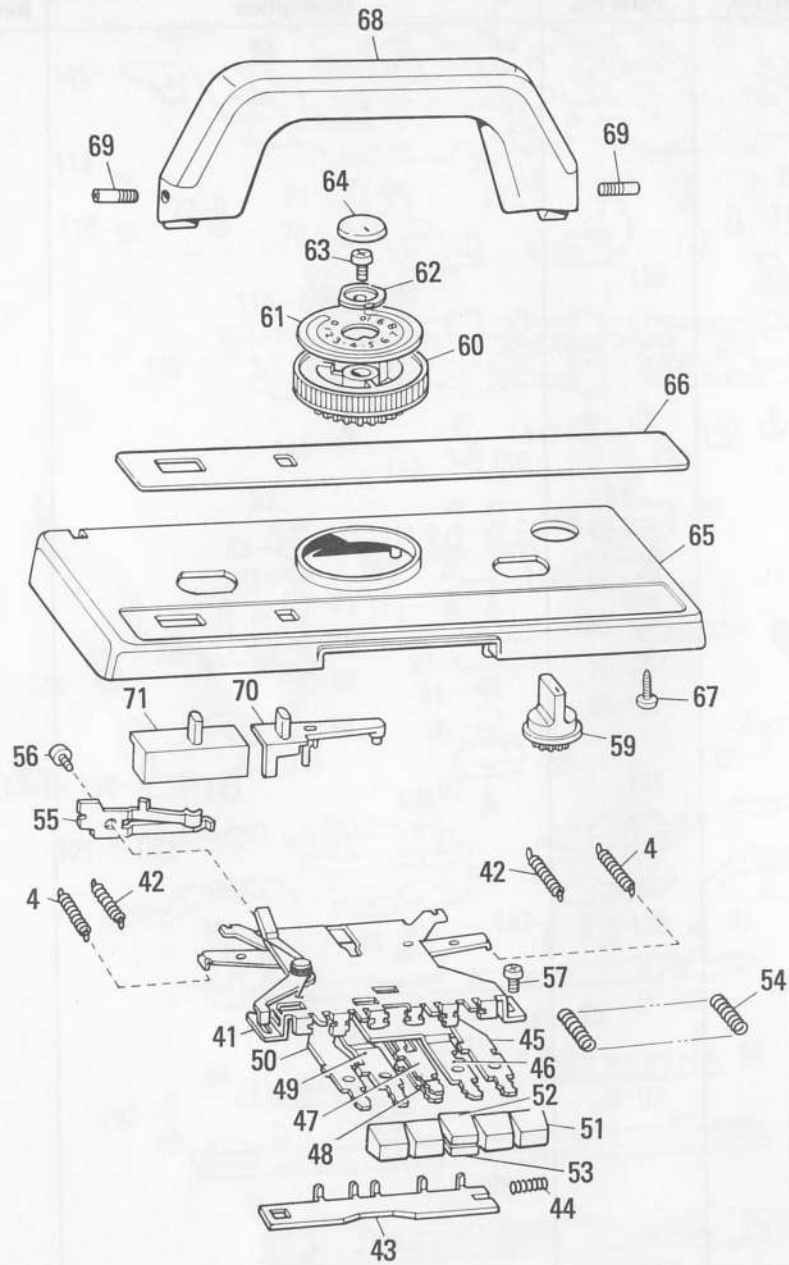
PARTS FOR CARRIAGE LOWER PART FOR KH-868

Ref. No.	Parts No.	Description	Revised	Q'ty	Ref. No.	Parts No.	Description	Revised	Q'ty
AII-72	037351615	Tapping screw 3.5 × 16		2	121	409898001	Separation cam, left		1
73	407285000	Carriage magnet 16		2	122	410929000	Buffer right, for selected needle		1
74	408773006	Flat head screw 3.18 × 9		2	123	410930000	Buffer left, for selected neele		1
75	407289001	Stripe adjuster plate		1	124	060660406	Screw 3.18-40×4		2
76	412050006	Screw 3.57-40×3.5		1	125	409519001	Guide cam F		2
77	410094001	Stitch cam assembly, right		1	126	062660406	Screw 3.18-40×4		2
78	410097001	Stitch cam assembly, left		1	127	062681206	Screw 4.37-40×12		2
79	407296001	Sub stitch cam, right		1	128	409523001	Needle selection change plate, right		1
80	407297001	Sub stitch cam, left		1	129	409526001	Needle selection change plate, left		1
81	407298001	Sub stitch cam shaft		2	130	409528001	Stud screw		2
82	407313001	MC cam, right		1	131	411491001	Selection cam, right		1
83	407314001	MC cam, left		1	132	411489001	Selection cam plate, right		1
84	407312001	Screw		2	133	409530001	Needle selection change cam, right		1
85	021660306	Nut 3.18-40		2	134	411492001	Selection cam, left		1
86	408465001	Slide cam		1	135	411490001	Selection cam plate, left		1
87	408466001	Slide cam guide		1	136	409535001	Needle selection change cam, left		1
88	407356001	Guide cam C		1	137	414203001	Valve cam F, right		1
89	407635001	Valve cam C		1	138	414204001	Valve cam F, left		1
90	408467051	Shaft for guide cam C		1	139	410129001	Valve cam F spring		2
91	407636001	Valve cam C spring		1	140	409537001	Guide cam G, right		1
92	413557001	Flat head screw C		1	141	409538001	Guide cam G, left		1
93	408468001	Guide cam B, right		1	142	410030001	Flat head screw 2.38 × 14		2
94	408471001	Guide cam B, left		1	143	060661006	Screw 3.18-40×10		2
95	408473001	Valve cam B spring, right		1	144	409539001	Connecting plate, right		1
96	408474001	Valve cam B spring, left		1	145	409541001	Connecting plate, left		1
97	408305002	Screw 3.18 × 5		2	146	412219001	Rear foot		1
98-101	407455001	Guide cam A assembly		1	147	060660406	Screw 3.18-40×4		2
98	407320001	Guide cam A		1	148	409494001	Screw 3.57		2
99	407325001	Holding cam spring, right		1	149	060661216	Screw 3.18-40×12		2
100	407326001	Holding cam spring, left		1	150	410488001	Valve cam D, right		1
101	048030346	Snap ring 3		2	151	410489001	Valve cam D, left		1
102	408524001	Nut		1	152	410490001	Valve cam D spring, right		1
103	408305002	Screw 3.18 × 5		2	153	410491001	Valve cam D spring, left		1
104	409892001	Front foot		1	154-183	411008003	Sinker plate complete set		1
105	408305002	Screw 3.18 × 5		2	154-176	411009003	Sinker plate assembly without feeder		1
106	407328000	Front slide plate		1	154	409979001	Sinker plate arm		1
107	408504001	Stud screw 3.18		2	155	407427000	Weaving thread guide, right		1
108	407579001	Tuck cam, right		1	156	407428000	Weaving thread guide, left		1
109	407586001	Tuck cam, left		1	157	409162001	Tapping screw 2.6		6
110	407338001	Tuck cam spring		1	158	410026001	Weaving lever assembly, right		1
111	407339001	Shaft for tuck cam		2	159	410027001	Weaving lever assembly, left		1
112	407340001	Tuck cam plate		1	160	410003001	Latch opening brush, right		1
113	407299001	Screw		2	161	410004001	Latch opening brush, left		1
114	410922002	Selection cam for right end needle		1	162	408607000	Latch presser plate, right		1
115	410924101	Selection guide for right end needle		1	163	408608000	Latch presser plate, left		1
116	410923002	Selection cam for left end needle		1	164	037280616	Screw 2.6 × 6		4
117	410925101	Selection guide for left end needle		1	165	407437001	Weaving pattern brush		2
118	410926001	End needle selection switch cam		2	166	408316001	Stud screw for weaving pattern brush		2
119	412215001	End needle selection cam spring		2	167	409629003	Weaving lever knob		2
120	409897001	Separation cam, right		1	168	407441001	Weaving lever spring		2



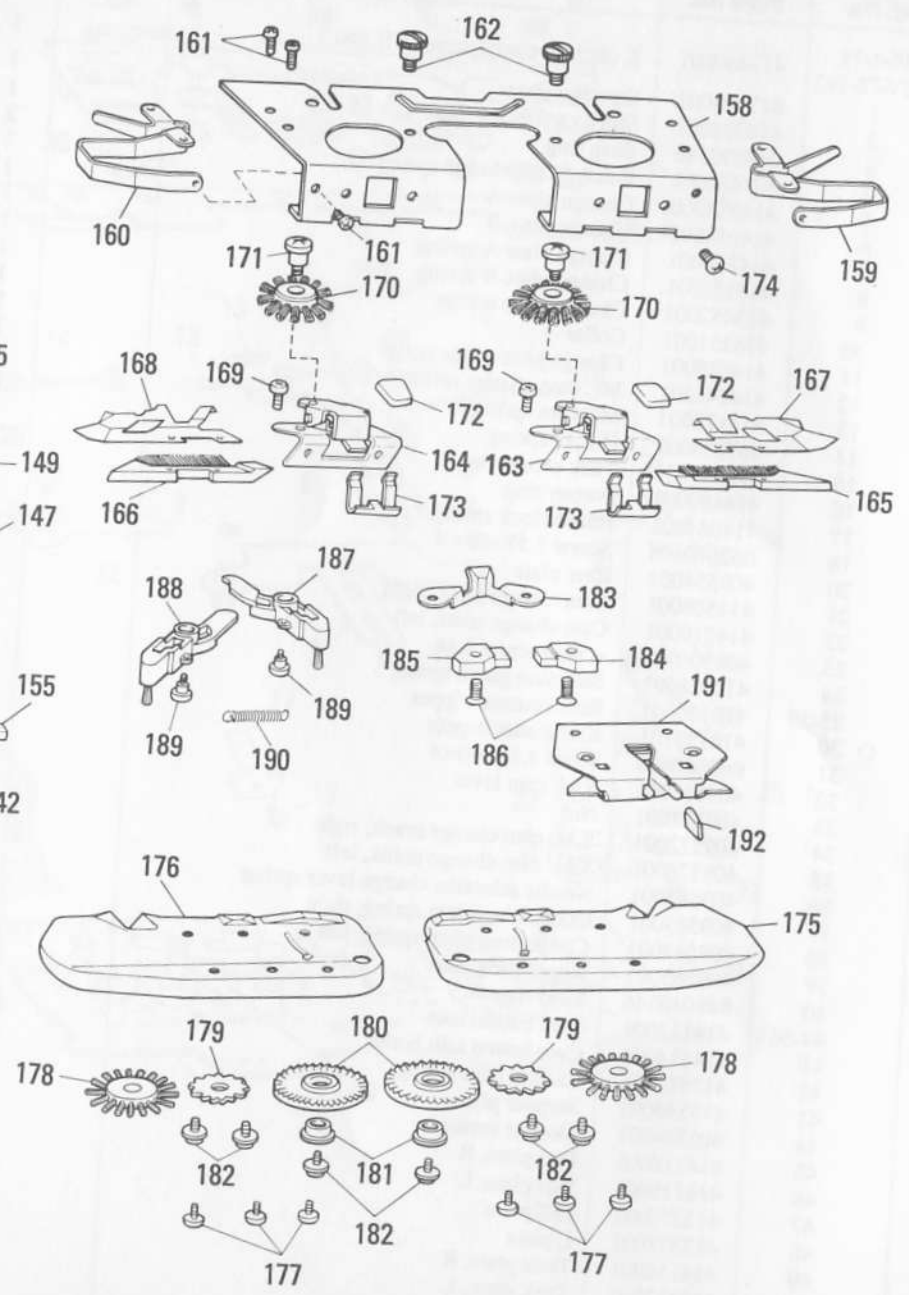
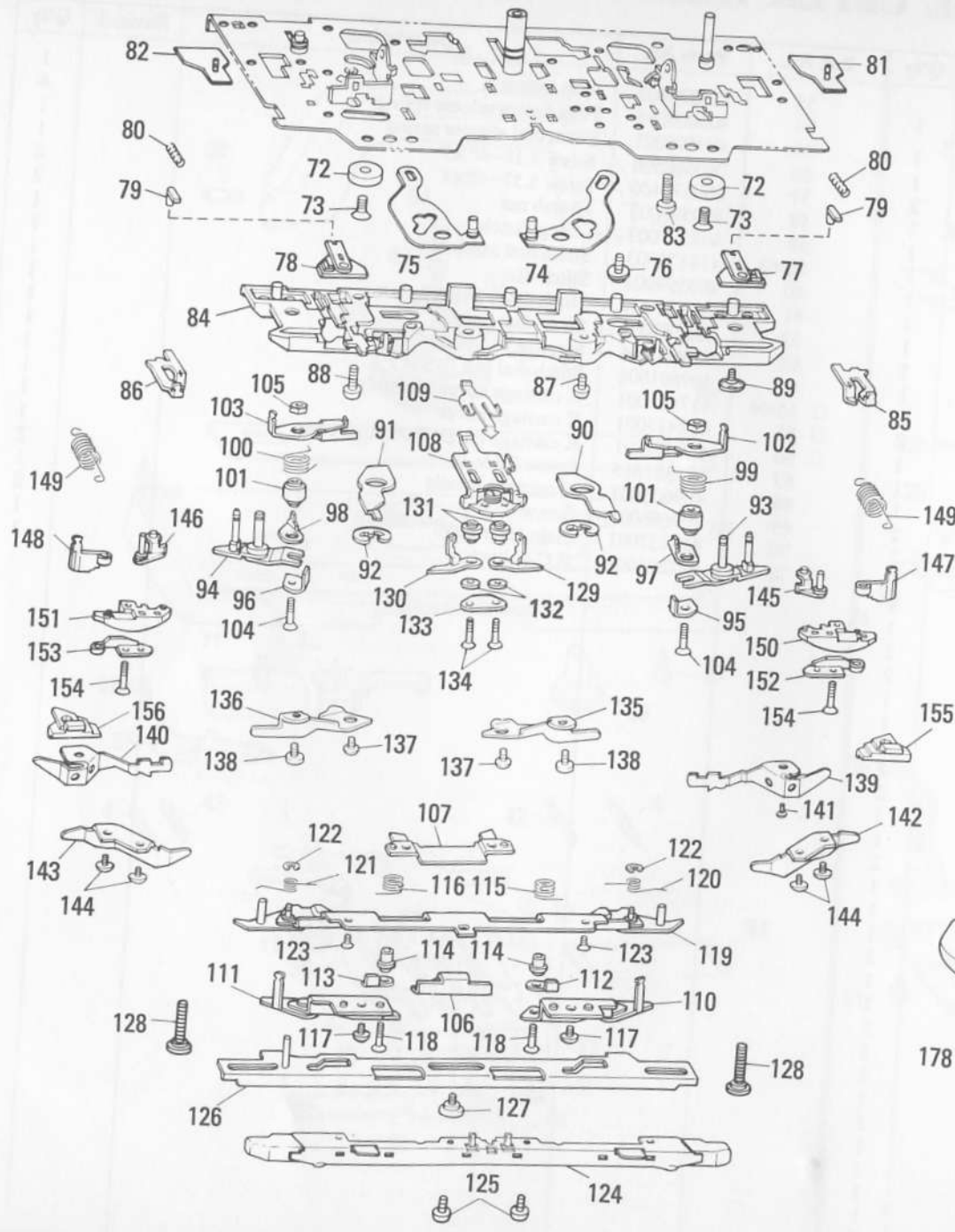
PARTS FOR CARRIAGE LOWER PART FOR KH-868

Ref. No.	Parts No.	Description	Revised	Q'ty	Ref. No.	Parts No.	Description	Revised	Q'ty
AII- 169	408305001	Screw 3.18 × 5		4					
170	409614001	Sinker plate, right		1					
171	409618001	Sinker plate, left		1					
172	412048006	Screw 3.18—40×3		6					
173	410988001	Rubber wheel assembly		2					
173a	410969001	Rubber wheel		2					
173b	410970001	Holder		2					
174	407702001	Wheel brush		2					
175	405184002	Plastic gear		2					
176	409621001	Screw 3.18×4		6					
177-182	409980001	Double yarn feeder assembly		1					
177	409981001	Yarn feeder body		1					
178	409625000	Magnet holder plate		1					
179	407454000	Magnet, right		1					
180	407578000	Magnet, left		1					
181	413247001	Screw 2.38 × 10		2					
182	407450004	Yarn feeder knob		1					
183	409626001	Thumb screw		2					



PARTS FOR CARRIAGE UPPER PART FOR KH-894

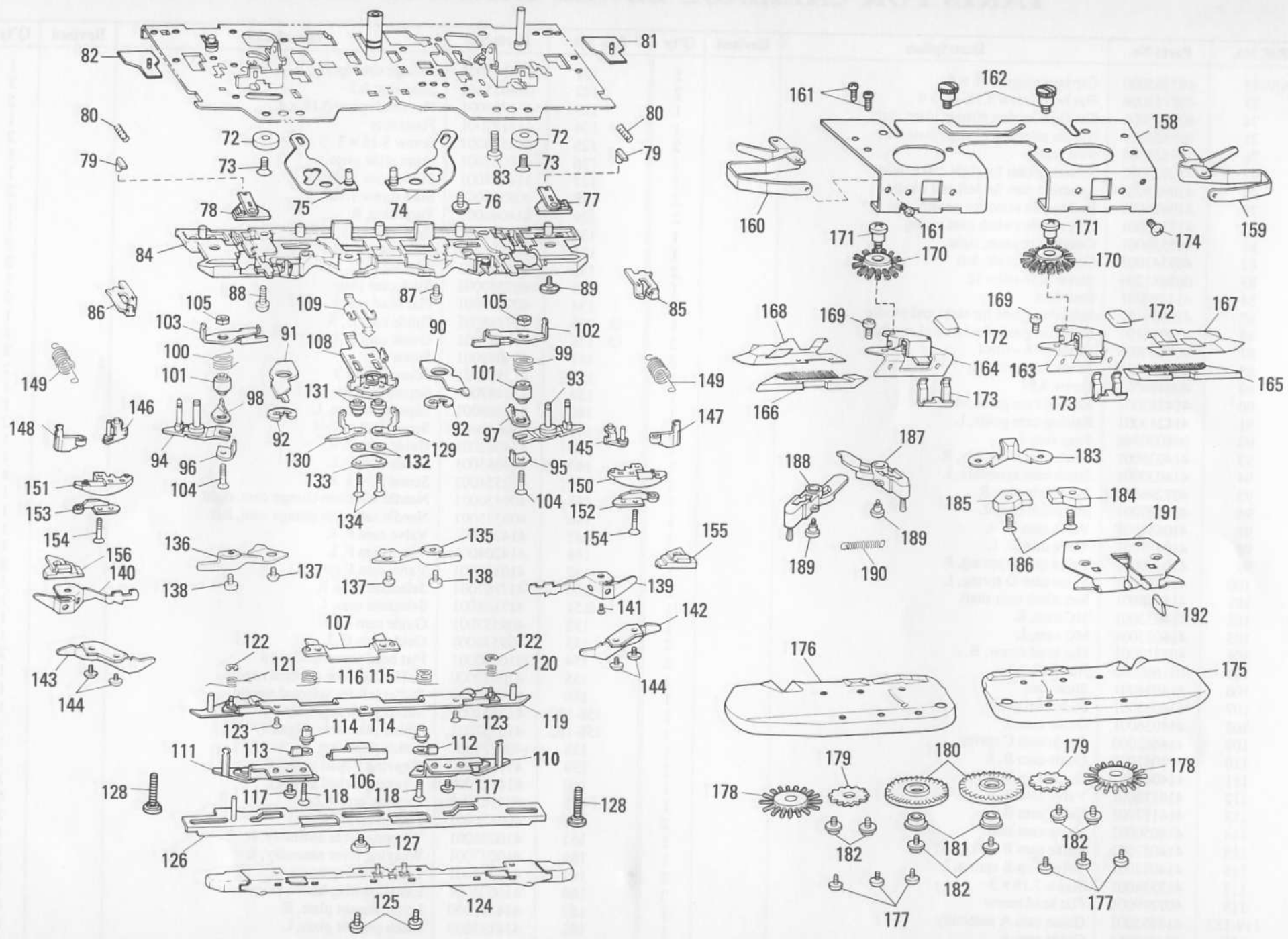
Ref. No.	Parts No.	Description	Revised	Q'ty	Ref. No.	Parts No.	Description	Revised	Q'ty
○ AIII-1-71	417460001	K carriage complete set KH-894		1	53	413379002	Push button A		1
○ AIV-72-192					54	403008001	Push button release spring		4
1	417488001	Carriage plate		1	55	409595001	Stitch dial stopper spring		1
2	414022001	Stitch cam guide plate		1	56	060660506	Screw 3.18-40×5		1
3	048030346	Snap ring 3		2	57	060670406	Screw 3.57-40×4		2
4	407432001	Raising cam change spring		2	58	409596003	Thumb nut		2
5	414053000	Change plate A		1	59	409597007	Change knob		1
6	414054000	Change plate B		1	60-61	414175003	Stitch dial assembly		1
7	414370001	Change plate A spring		1	60	409599003	Stitch dial		1
8	414252001	Change plate B spring		1	61	413581004	Stitch dial indicator plate		1
9	413452001	Change plate spring		1	62	406283001	Stitch dial presser		1
10	414251001	Collar		1	63	060660606	Screw 3.18-40×6		1
11	414025001	Change plate guide collar		1	64	409601006	Stitch dial cap		1
12	414241001	MC cam change spring		2	○ 65-66	417461001	K carriage cover assembly		1
13	414178001	MC cam spring A		2	○ 65	417477001	K carriage cover		1
14	407333001	H.C.L. spring		1	○ 66	417462001	K carriage cover decoration plate		1
15	414069001	Tuck cam spring		1	67	037351615	Screw 3.5 × 16		2
16	414180001	Presser ring		1	68	409605007	K carriage handle		1
17	414084001	Handle lock spring		2	69	409608001	Screw		2
18	062670406	Screw 3.57-40 × 4		2	70	413437001	Plain lever knob		1
20	409554001	Rear plate		1	○ 71	417293001	H.C.L. knob		1
21	414508001	Cam change plate, right		1					
22	414510001	Cam change plate, left		1					
23	408506001	+ Stud screw 3.18		2					
24	410928001	Selection guide spring		2					
25-29	410130001	Row counter tripper		1					
○ 30	410132101	Knit leader tripper		1					
31	060660406	Screw 3.18-40×4		4					
32	409567001	S.M. cam lever		2					
33	409571001	Nut		2					
34	409572001	S.M. cam change crank, right		1					
35	409576001	S.M. cam change crank, left		1					
36	409585001	Needle selection change lever spring		2					
37	409543001	Connecting plate spring, right		1					
38	409544001	Connecting plate spring, left		1					
39	409565001	Upper slide plate		1					
40	048040346	Snap ring 4		2					
41-56	414113001	Cam button unit		1					
41	414114001	Cam button unit body		1					
42	417512001	Raising cam spring		2					
43	413545001	Stopper plate		1					
44	405524001	Stopper spring		1					
45	414118001	Part plate, R		1					
46	414119001	Part plate, L		1					
47	413377001	MC plate		1					
48	413378001	L plate		1					
49	414116001	Tuck plate, R		1					
50	414117001	Tuck plate, L		1					
51	405302007	Push button		4					
52	414181001	Push button B		1					



PARTS FOR CARRIAGE LOWER PART FOR KH-894 Fig: A IV

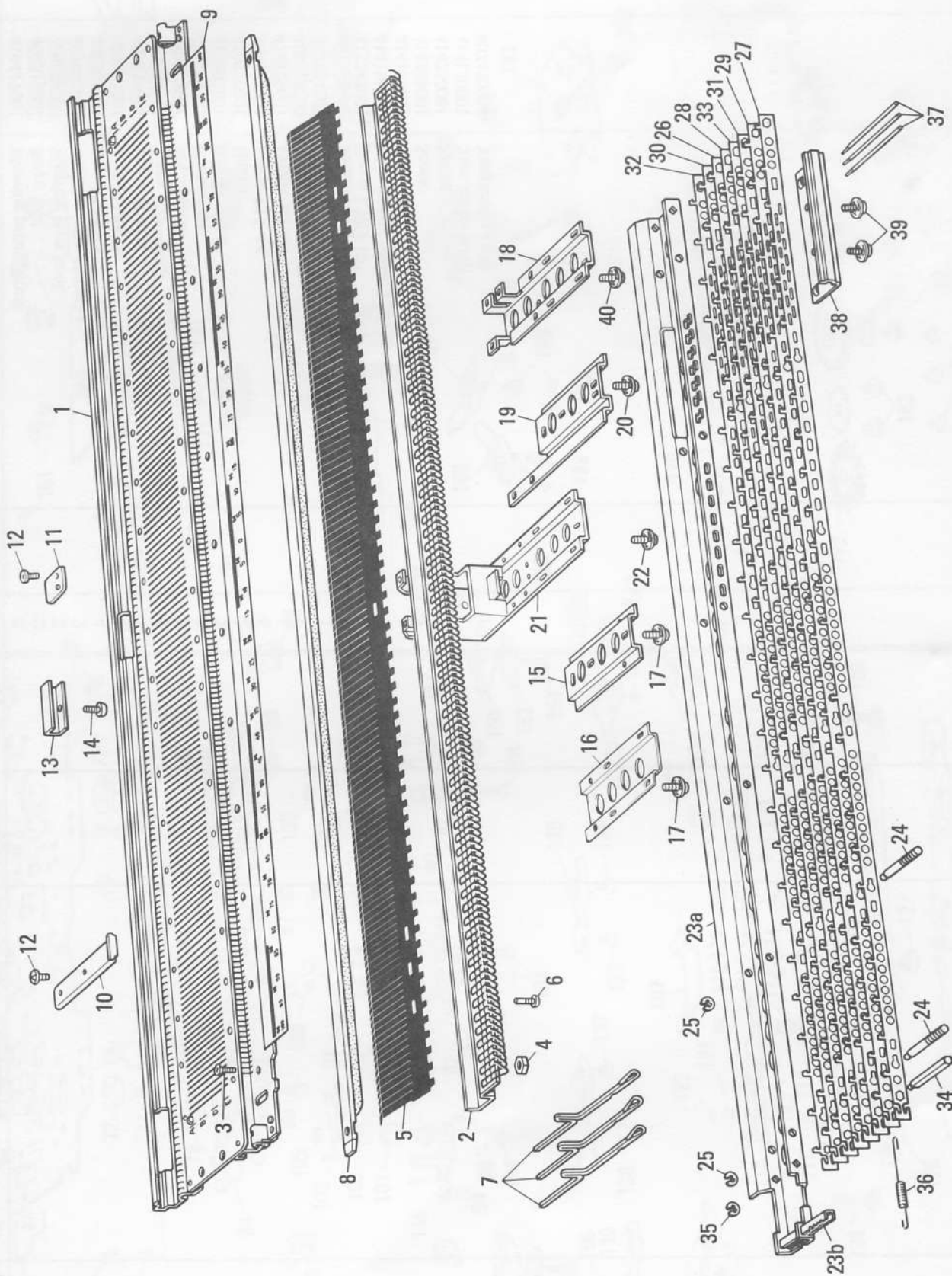
PARTS FOR CARRIAGE LOWER PART FOR KH-894

Ref. No.	Parts No.	Description	Revised	Q'ty	Ref. No.	Parts No.	Description	Revised	Q'ty
AV-72	407285000	Carriage magnet 16 × 8		2	121	414195001	Change cam spring, L		1
73	408773006	Flat head screw 3.18-40 × 9		2	122	048025346	Snap ring 2.5		2
74	409523001	Needle selection change plate, right		1	123	413285001	Flat head screw 3.18 × 4		2
75	409526001	Needle selection change plate, left		1	124	414172001	Front foot		1
76	409528001	Stud screw		2	125	413554001	Screw 3.18 × 3		2
77	410922002	Selection cam for right end needle		1	126	414062001	Front slide plate		1
78	410923002	Selection cam for left end needle		1	127	414184001	Stud screw 3.18 × 4		1
79	410926001	End needle selection switch cam		2	128	408504001	Stud screw 3.18		2
80	412215001	End needle switch cam spring		2	129	414066001	Tuck cam, R		1
81	409539001	Connecting plate, right		1	130	414067001	Tuck cam, L		1
82	409541001	Connecting plate, left		1	131	414068001	Tuck cam shaft		2
83	062681206	Screw 4.37-40 × 12		2	132	414179001	Washer		2
84	414493001	Rear foot		1	133	407340001	Tuck cam plate		1
85	410924101	Selection guide for right end needle		1	134	407299001	Flat head screw		2
86	410925101	Selection guide for left end needle		1	○ 135	417486001	Guide cam D, R		1
87	060660406	Screw 3.18-40 × 4		2	○ 136	417487001	Guide cam D, L		1
88	060661216	Screw 3.18-40 × 12		2	137	414049001	Screw		2
89	409494001	Screw 3.57		2	138	413554001	Screw 3.18 × 3		2
90	414242001	Raising cam guide, R		1	139	414487001	Separation cam, R		1
91	414243001	Raising cam guide, L		1	140	414488001	Separation cam, L		1
92	048070346	Snap ring 7		2	141	060660406	Screw 3.18-40 × 4		2
93	414026001	Stitch cam assembly, R		1	142	414082001	Guide cam F, R		1
94	414030001	Stitch cam assembly, L		1	143	414083001	Guide cam F, L		1
95	407296001	Sub stitch cam, R		1	144	413554001	Screw 3.18 × 3		4
96	407297001	Sub stitch cam, L		1	145	409530001	Needle selection change cam, right		1
97	410488001	Valve cam D, R		1	146	409535001	Needle selection change cam, left		1
98	410489001	Valve cam D, L		1	147	414203001	Valve cam F, R		1
99	410490001	Valve cam D spring, R		1	148	414204001	Valve cam F, L		1
100	410491001	Valve cam D spring, L		1	149	410129001	Valve cam F spring		2
101	414245001	Sub stitch cam shaft		2	150	417167001	Selection cam, R		1
102	414032001	MC cam, R		1	151	417168001	Selection cam, L		1
103	414033001	MC cam, L		1	152	409537001	Guide cam G, R		1
104	407312001	Flat head screw, B		2	153	409538001	Guide cam G, L		1
105	021660306	Nut 3.18-40		2	154	410030001	Flat head screw 2.38 × 14		2
106	414034001	Slide cam		1	155	410929000	Buffer right for selected needle		1
107	414035001	Slide cam guide		1	156	410930000	Buffer left for selected needle		1
108	414036001	Guide cam C		1	158-192	415551001	Sinker plate assembly		1
109	414462000	Guide cam C spring		1	158-182	415552001	Sinker plate arm assembly		1
110	414041001	Guide cam B, R		1	158	409979001	Sinker plate arm		1
111	414045001	Guide cam B, L		1	159	414122000	Weaving thread guide, R		1
112	414176001	Valve cam B, R		1	160	414123000	Weaving thread guide, L		1
113	414177001	Valve cam B, L		1	161	409162001	Tapping screw 2.6		6
114	414050001	Valve cam shaft		2	162	409626001	Thumb screw		2
115	414051001	Valve cam B spring, R		1	163	410026001	Weaving lever assembly, R		1
116	414052001	Valve cam B spring, L		1	164	410027001	Weaving lever assembly, L		1
117	413554001	Screw 3.18 × 3		2	165	410003001	Latch opening brush, R		1
118	407299001	Flat head screw		2	166	410004001	Latch opening brush, L		1
119-122	414055001	Guide cam A assembly		1	167	414191000	Latch presser plate, R		1
119	414056001	Guide cam A		1	168	414192000	Latch presser plate, L		1
120	414194001	Change cam spring, R		1	169	037280616	Tapping screw 2.6 × 6		4



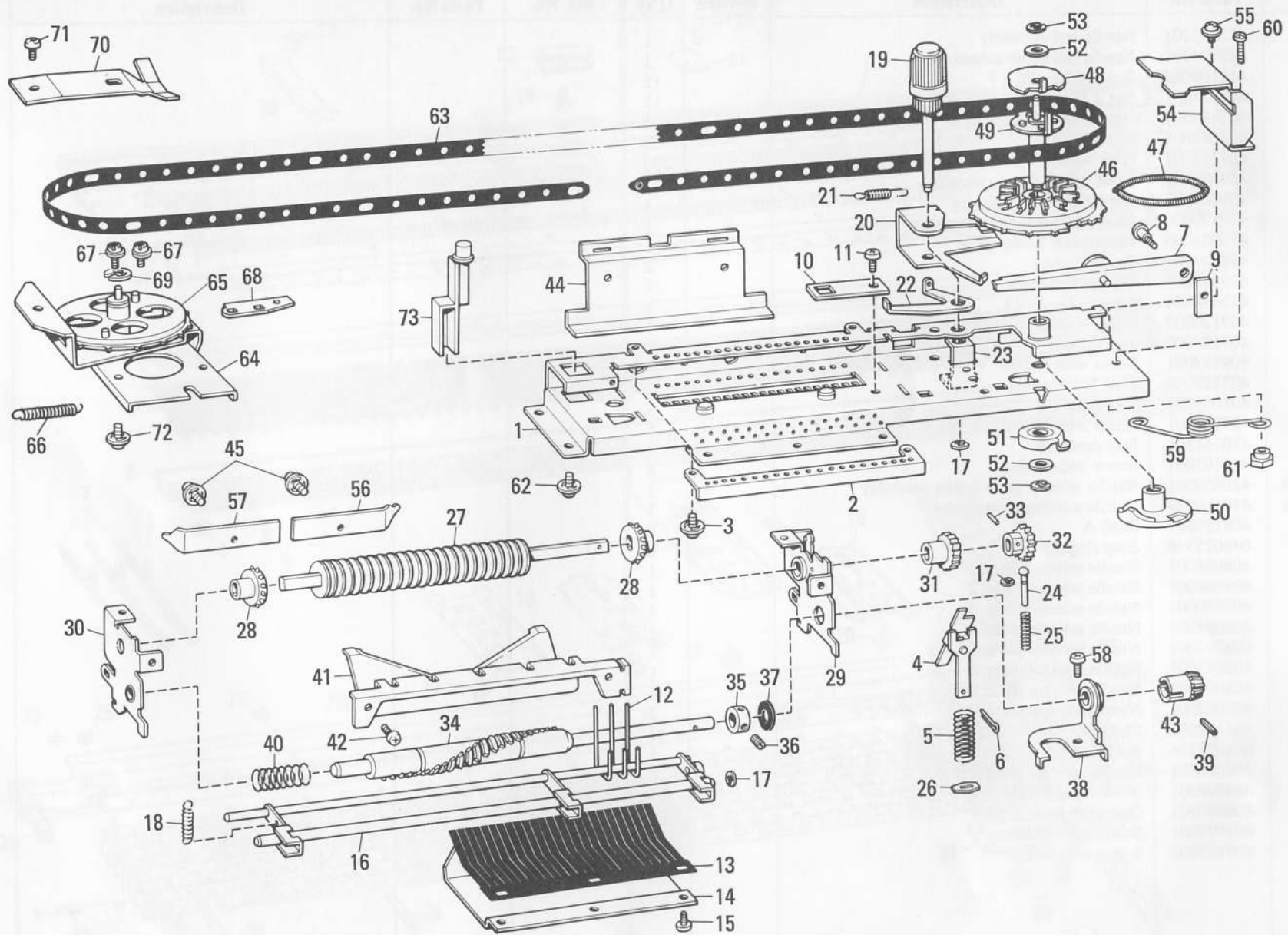
PARTS FOR CARRIAGE LOWER PART FOR KH-894

Ref. No.	Parts No.	Description	Revised	Q'ty	Ref. No.	Parts No.	Description	Revised	Q'ty
AIV-170	414417001	Weaving pattern brush		2					
171	408316001	Screw 3.18		2					
172	409629003	Weaving lever knob		2					
173	407441001	Weaving lever spring		2					
174	408305001	Screw 3.18 × 5		4					
175	409614001	Sinker plate, R		1					
176	409618001	Sinker plate, L		1					
177	412048006	Screw 3.18—40×3		6					
178	407702001	Wheel brush		2					
179	405184002	Plastic gear		2					
180	413403001	Rubber wheel		2					
181	410970001	Holder		2					
182	409621001	Screw 3.18 × 4		6					
183-192	414129001	Double yarn feeder assembly		1					
183	409625000	Magnet holder plate		1					
184	407454000	Magnet, R		1					
185	407578000	Magnet, L		1					
186	413247001	Screw 2.38 × 10		2					
187	414196001	Yarn presser brush, R		1					
188	414197001	Yarn presser brush, L		1					
189	414249001	Screw		2					
190	414250001	Spring		1					
191	414130001	Yarn feeder body		1					
192	407450004	Yarn feeder knob		1					



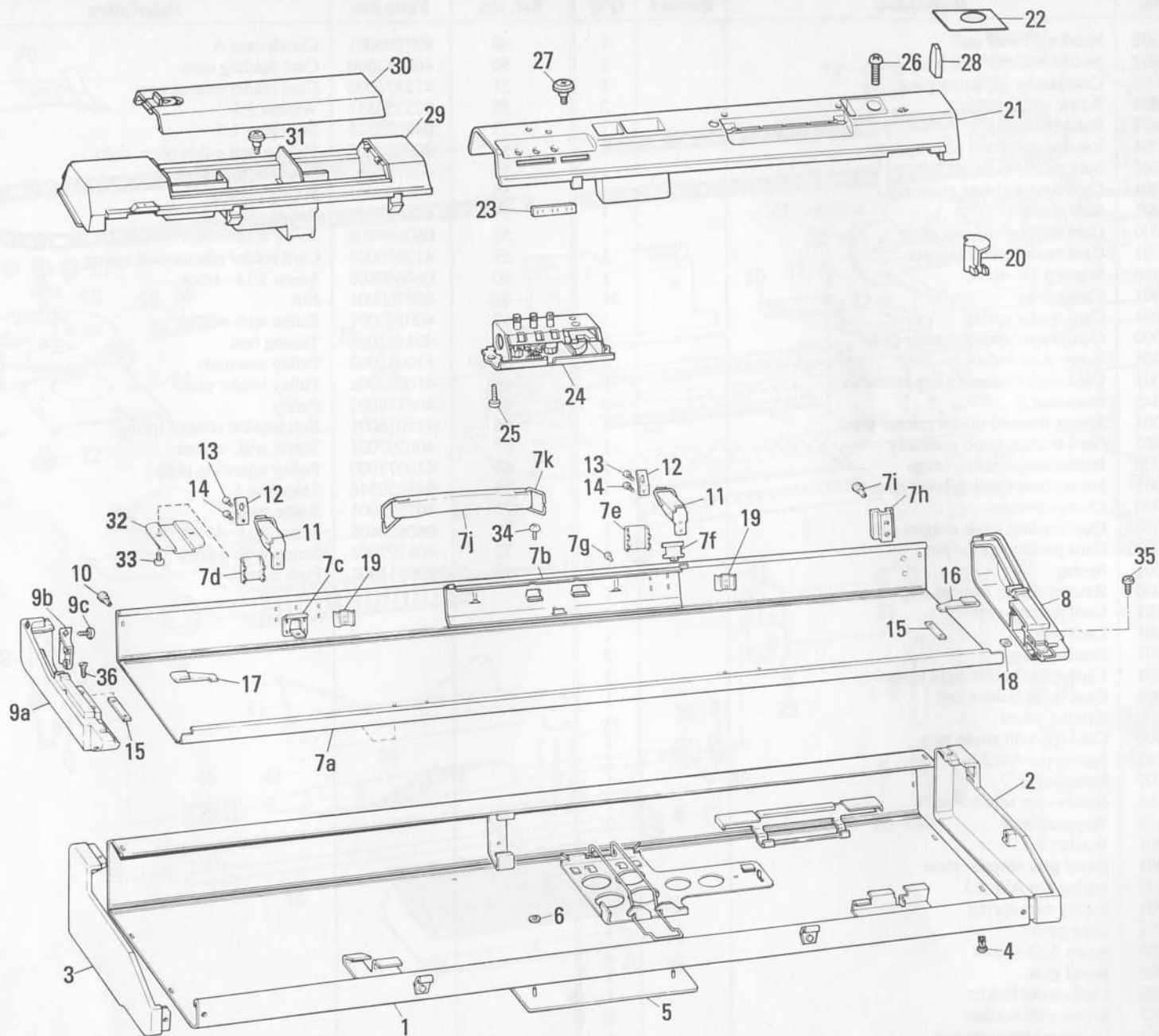
PARTS FOR NEEDLE BED

Ref. No.	Parts No.	Description	Revised	Q'ty	Ref. No.	Parts No.	Description	Revised	Q'ty
○B-	1	412803101		1					
○	2	410154101		1					
	3	412109004		12					
	4	405077001		12					
	5	407112001		1					
	6	407687001		3					
	7	407113001		200					
	8	409643003		1					
	9	407114002		1					
	10	410170000		1					
	11	413952000		1					
	12	417894001		2					
	13	409656000		1					
	14	412048006		1					
	15	407120000		1					
	16	407123000		1					
	17	409197001		6					
	18	407121000		1					
	19	408061000		1					
	20	409197001		6					
○	21	410161101		1					
	22	409197001		4					
	23-36	410668001		1					
	23-25	410669001		1					
	24	408159001		6					
	25	048025346		6					
	26	408088001		1					
	27	408089001		1					
	28	408090001		1					
	29	408091001		1					
	30	408092001		1					
	31	408093001		1					
	32	408094001		1					
	33	408095001		1					
	34	408172001		1					
	35	048025346		1					
	36	408086001		8					
	37	408098001		24					
	38	408099001		1					
	39	409197001		2					
	40	409197001		8					



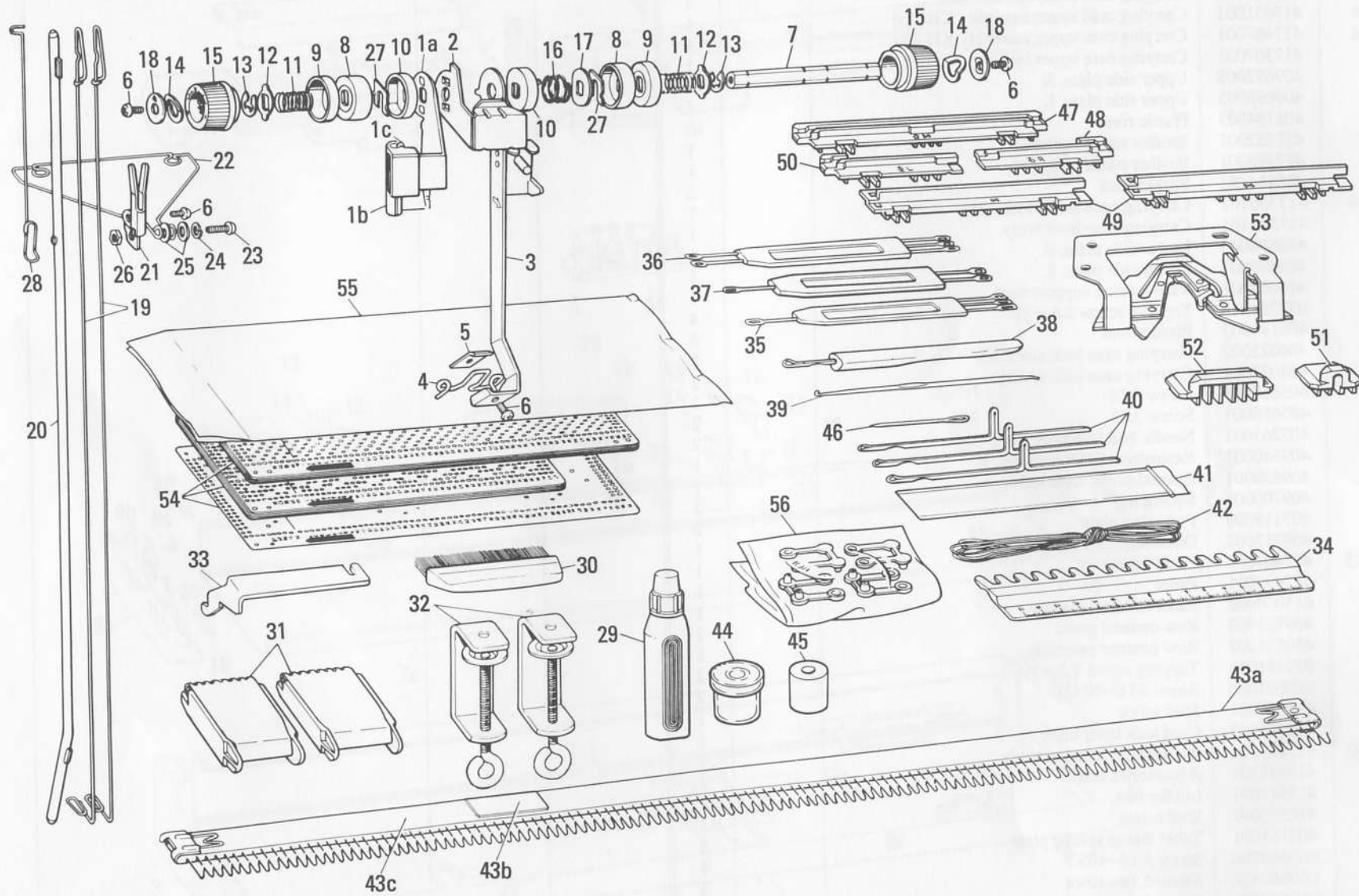
PARTS FOR NEEDLE SELECTOR UNIT

Ref. No.	Parts No.	Description	Revised	Q'ty	Ref. No.	Parts No.	Description	Revised	Q'ty
C- 1-61	413094002	Needle selector unit		1	49	407206001	Clutch cam A		1
C- 1	409662002	Needle selector unit body		1	50	408082000	Card feeding cam		1
2	409679000	Card reader adjusting plate		1	51	412871000	Card reader release cam		1
3	409197001	Screw with washer		2	52	025350333	Washer 3.5		2
4	409665001	Ratchet assembly		1	53	048025346	Snap ring 2.5		2
5	407145001	Ratchet operation plate spring		1	54	408084000	Timing belt guide plate, right		1
6	045100802	Split pin		1	55	409197001	Screw with washer		1
7	408529001	Card feeding lever assembly		1	56	408309001	Spring plate, R		1
8	408534001	Stud screw		1	57	408308001	Spring plate, L		1
9	407197000	Card feeding adjuster plate		1	58	060660406	Screw 3.18-40x4		1
10	408068001	Card reader guide stopper		1	59	412870001	Card reader release cam spring		1
11	060660406	Screw 3.18-40x4		1	60	060660806	Screw 3.18-40x8		1
12	407152001	Card reader		24	61	408760001	Nut		1
13	408315001	Card reader spring		1	62	409197001	Screw with washer		5
14	408213000	Card reader spring presser plate		1	63	408181001	Timing belt		1
15	060660406	Screw 3.18-40x4		3	64-69	410012002	Pulley assembly		1
16	408069001	Card reader release plate assembly		1	64	410022001	Pulley holder plate		1
17	048020345	Snap ring 2		3	65	408178002	Pulley		1
18	407161001	Spring for card reader release plate		1	66	410016001	Belt tension control spring		1
19	410936005	Card feeding knob assembly		1	67	406397001	Screw with washer		2
20	408535000	Intermittent feeding lever		1	68	410071000	Pulley adjusting plate		1
21	408536001	Intermittent feeding lever spring		1	69	048050346	Snap ring 5		1
22	408537000	Change lever		1	70	407597001	Brake spring		1
23	407193000	Card feeding knob stopper cam		1	71	060660406	Screw 3.18-40x4		1
24	407179001	Card position guide pin		1	72	409197001	Screw with washer		2
25	407180001	Spring		1	73	409711003	Push button		1
26	407464000	Ratchet spring stopper ring		1					
27-42	410938001	Card feeding unit		1					
27	407162001	Card roller		1					
28	407164001	Feeding gear		2					
29	409673001	Card roller holder right assembly		1					
30	408075001	Card roller holder, left		1					
31	407176000	Ratchet wheel		1					
32	407177000	Card position guide gear		1					
33	047251042	Spring pin AW2.5		1					
34	408078002	Rotary cam		1					
35	137768151	Rotary cam adjuster collar		1					
36	014400435	Stopper screw		2					
37	409658001	Washer 8.1		1					
38	409659001	Bevel gear stopper plate		1					
39	047251442	Spring pin AW 2.5		1					
40	408165001	Rotary cam spring		1					
41	410939001	Card guide		1					
42	060660406	Screw 3.18-40x4		2					
43	409191000	Bevel gear		1					
44	407188000	Card reader holder		1					
45	409197001	Screw with washer		2					
46	412166001	Clutch wheel assembly		1					
47	410017001	Clutch spring		1					
48	407205001	Clutch cam B		1					



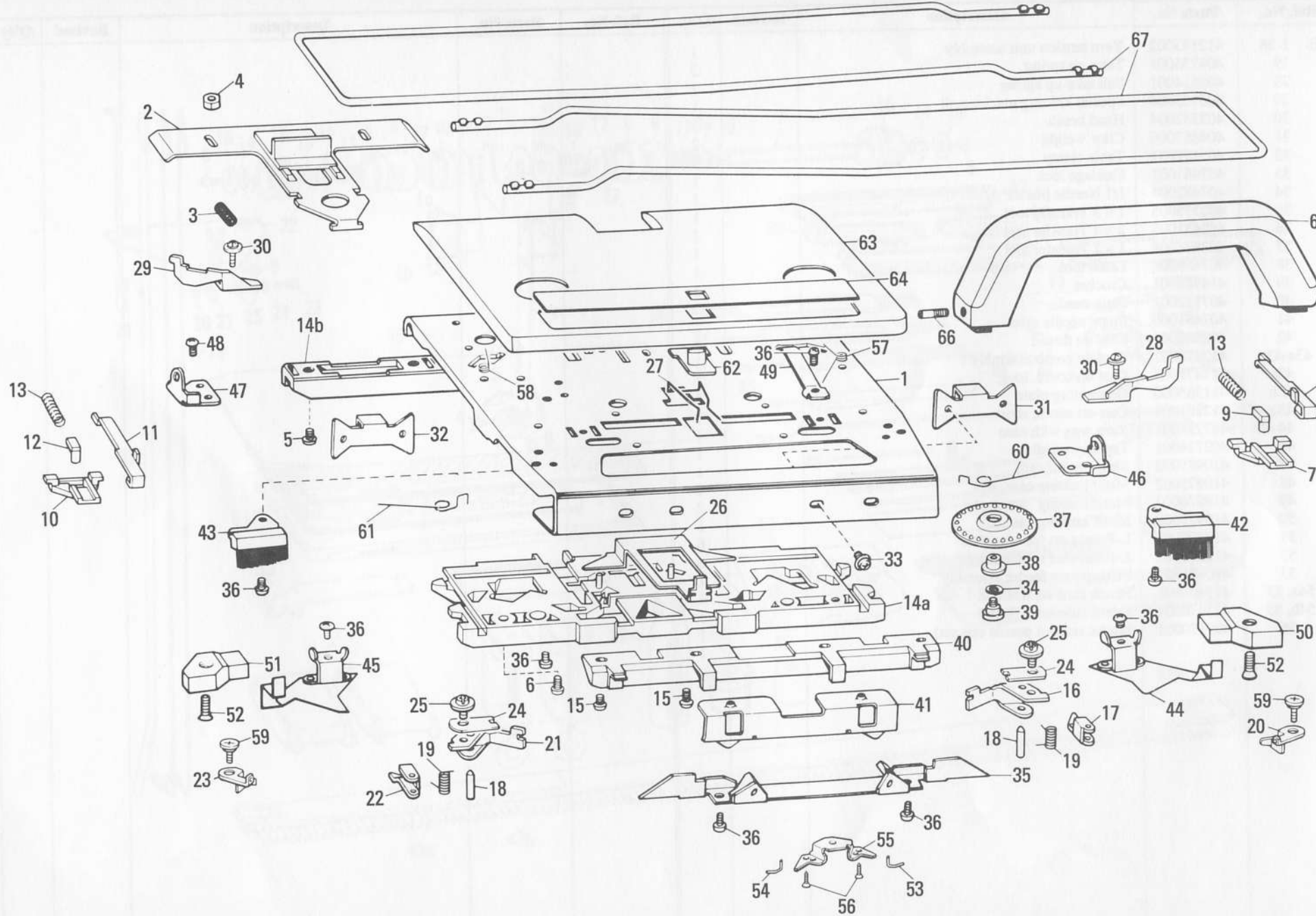
PARTS FOR CARRYING CASE

Ref. No.	Parts No.	Description	Revised	Q'ty	Ref. No.	Parts No.	Description	Revised	Q'ty
○ D-1-4, 5a, 6-19	417650001	Carrying case complete KH-868		1					
○ 1-4, 5b, 6-19	417466001	Carrying case complete KH-894		1					
○ 1-4, 5a, 6	417651001	Carrying case upper assembly KH-868		1					
○ 1-4, 5b, 6	417467001	Carrying case upper assembly KH-894		1					
○ 1	417307001	Carrying case upper body		1					
2	409692003	Upper side plate, R		1					
3	409693003	Upper side plate, L		1					
4	408194003	Plastic rivet		10					
○ 5a	417652001	Brother name plate 868		1					
○ 5b	417468001	Brother name plate 894		1					
6	408784001	Pushing nut		2					
○ 7-19	417306101	Carrying case lower assembly		1					
○ 7	417308101	Carrying case lowr body		1					
8	409698003	Lower side plate, R		1					
9a	409699003	Lower side plate, L		1					
9b	414005001	Yarn tension support base		1					
9c	037281216	Tapping screw 2.6 × 12		4					
10	408194003	Plastic rivet		6					
11	404022002	Carrying case lock assembly		2					
12	404027001	Carrying case lock spring		2					
13	405658001	Screw 3.18		2					
14	405658001	Screw 3.18		2					
15	407265001	Needle bed fastening plate		2					
16	409640001	Extension rail lock spring, R		1					
17	409639001	Extension rail lock spring, L		1					
18	409700001	Square nut		2					
19	407115000	Fastening plate		2					
20	409712002	Direction indicator plate		1					
○ 21-25	417404002	Panel assembly		1					
○ 21	417490001	Panel		1					
22	415050003	Panel decoration plate		1					
23	409721003	Row counter panel		1					
24	410531003	Row counter assembly		1					
25	037351016	Tapping screw 3.5 × 10		2					
26	060661606	Screw 3.18-40×16		2					
27	410535001	Stud screw		1					
28	409716003	Card lock lever knob		1					
○ 29-30	413947101	Accessories box assembly		1					
○ 29	413948101	Accessories box		1					
30	413949001	Lid for box		1					
31	410535001	Stud screw		1					
32	407261001	Table clamp setting plate		2					
33	060660706	Screw 3.18-40×7		4					
34	060660406	Screw 3.18-40×4		3					
35	060660706	Screw 3.18-40×7		2					
36	407119001	Screw 4.37		4					



PARTS FOR ACCESSORIES

Ref. No.	Parts No.	Description	Revised	Q'ty	Ref. No.	Parts No.	Description	Revised	Q'ty
E- 1-28	412183002	Yarn tension unit assembly		1					
19	404755001	Take-up spring		2					
28	408614001	Sub take-up spring		1					
29	405135004	Special knitting machine oil		1					
30	403552004	Hand brush		1					
31	404883006	Claw weight		2					
32	409198001	Table clamp		2					
33	407481001	Carriage lock		1					
34	407482004	1/1 Needle pusher		1					
35	402575005	1 × 3 Transfer tool		1					
36	402631005	2 × 3 Transfer tool		1					
37	402576005	1 × 2 Transfer tool		1					
38	407458004	Latch tool		1					
39	414979001	Crochet		1					
40	407113001	Plain needle		3					
41	407483000	Spare needle case		1					
42	402389001	Cast-on thread		1					
43a-43c	412878001	Cast-on comb assembly		1					
43a	412879001	Cast-on comb, long		1					
43b	411365000	Connecting plate		1					
43c	412881001	Cast-on comb, short		1					
44-45	487221001	Yarn wax with case		1					
46	402714001	Tapestry needle		1					
47	410985002	Single motif cam		1					
48	410975002	Motif knitting cam, R		1					
49	410976002	Motif knitting cam center		2					
50	410977002	Motif knitting cam, L		1					
51	412207002	L-Point cam for 4 needles		6					
52	412208002	L-Point cam for 8 needles		6					
53	410971001	Plating yarn feeder assembly		1					
○ 54a, 55	417406001	Punch card set KH-868		1					
○ 54b, 55	417430001	Punch card set KH-894		1					
56	409170001	Plastic snap (4 pcs. in one set)		1					
				1					



PARTS FOR L-CARRIAGE Fig: F

PARTS FOR L-CARRIAGE

Ref. No.	Parts No.	Description	Revised	Q'ty	Ref. No.	Parts No.	Description	Revised	Q'ty
OF- 1-66	417495001	L carriage assembly		1	50	407454000	Magnet, right		1
1	410563001	L carriage plate		1	51	407578000	Magnet, left		1
2	410954006	Release button plate assembly		1	52	417596001	Screw		2
3	410565001	Release button plate spring		1	53	412141001	Valve cam B, right for L		1
4	408166001	Stud for release button plate		2	54	412142001	Valve cam B, left for L		1
5	060660706	Screw 3.18-×7		4	55	412143001	Rein forcing plate B		1
6	060660806	Screw 3.18-×8		2	56	040210812	Tapping screw		2
7	410957002	R end needle selection cam for L		1	57	412148001	Valve cam C spring, right		1
8	410958001	R end needle selection plate for L		1	58	412147001	Valve cam C spring, left		1
9	410959001	R end needle selection change cam for L		1	59	409528001	Screw		2
10	410960002	L end needle selection cam for L		1	60	410966001	R end needle selection change spring		1
11	410961001	L end needle selection plate for L		1	61	410967001	L end needle selection change spring		1
12	410962001	L end needle selection change cam for L		1	62	409744005	Lace selecting knob		1
13	410963001	End needle selection cam spring for L		2	○ 63-64	417496001	L carriage cover assembly		1
14a	415702001	Main cam		1	65	409748007	L carriage handle		1
14b	415704000	Rear foot		1	66	409751001	Screw		2
15	060660806	Screw 3.18-×8		4	67	412205002	Extension rail		2
16	410578001	Separation cam R for L carriage		1					
17	408132001	Raising cam right for L carriage		1					
18	410579001	Shaft for separation cam		2					
19	408134001	Raising cam spring		2					
20	412145001	Valve cam C, right for L		1					
21	410581001	Separation cam L for L carriage		1					
22	408137001	Raising cam left for L carriage		1					
23	412146001	Valve cam C, left for L		1					
24	412898000	Presser plate		2					
25	406397001	Screw with washer 3.18 × 5		2					
26	408582001	Lace selecting cam		1					
27	408583001	Change lever spring		1					
28	410583001	Right end needle separation cam for L		1					
29	410584001	Left end needle separation cam for L		1					
30	410592001	Screw 3.18-×12		2					
31	410494001	Needle transfer plate R		1					
32	410495001	Needle transfer plate L		1					
33	413734001	Screw		4					
34	028030243	Spring washer		2					
35	408573101	Cam plate		1					
36	060660406	Screw 3.18-×4		10					
37-38	411003001	Rubber wheel assembly		2					
39	405029001	Stud screw		2					
40	407490000	Front foot		1					
41	418451000	Front foot holder		1					
42	408580004	Small brush, right		1					
43	408581004	Small brush, left		1					
44	408561001	Spring plate, right		1					
45	408562001	Spring plate, left		1					
46	409740001	Handle setting base, right		1					
47	409739001	Handle setting base, left		1					
48	060670506	Screw 3.57-×5		2					
49	407522001	Handle lock spring		2					

MEMORANDUM FOR THE RECORD

DATE	SUBJECT	INITIALS	REMARKS	ACTION	STATUS	DATE	BY	PAGE
1950	General							1
1950	High Speed							2
1950	High Speed							3
1950	High Speed							4
1950	High Speed							5
1950	High Speed							6
1950	High Speed							7
1950	High Speed							8
1950	High Speed							9
1950	High Speed							10
1950	High Speed							11
1950	High Speed							12
1950	High Speed							13
1950	High Speed							14
1950	High Speed							15
1950	High Speed							16
1950	High Speed							17
1950	High Speed							18
1950	High Speed							19
1950	High Speed							20
1950	High Speed							21
1950	High Speed							22
1950	High Speed							23
1950	High Speed							24
1950	High Speed							25
1950	High Speed							26
1950	High Speed							27
1950	High Speed							28
1950	High Speed							29
1950	High Speed							30
1950	High Speed							31
1950	High Speed							32
1950	High Speed							33
1950	High Speed							34
1950	High Speed							35
1950	High Speed							36
1950	High Speed							37
1950	High Speed							38
1950	High Speed							39
1950	High Speed							40
1950	High Speed							41
1950	High Speed							42
1950	High Speed							43
1950	High Speed							44
1950	High Speed							45
1950	High Speed							46
1950	High Speed							47
1950	High Speed							48
1950	High Speed							49
1950	High Speed							50
1950	High Speed							51
1950	High Speed							52
1950	High Speed							53
1950	High Speed							54
1950	High Speed							55
1950	High Speed							56
1950	High Speed							57
1950	High Speed							58
1950	High Speed							59
1950	High Speed							60
1950	High Speed							61
1950	High Speed							62
1950	High Speed							63
1950	High Speed							64
1950	High Speed							65
1950	High Speed							66
1950	High Speed							67
1950	High Speed							68
1950	High Speed							69
1950	High Speed							70
1950	High Speed							71
1950	High Speed							72
1950	High Speed							73
1950	High Speed							74
1950	High Speed							75
1950	High Speed							76
1950	High Speed							77
1950	High Speed							78
1950	High Speed							79
1950	High Speed							80
1950	High Speed							81
1950	High Speed							82
1950	High Speed							83
1950	High Speed							84
1950	High Speed							85
1950	High Speed							86
1950	High Speed							87
1950	High Speed							88
1950	High Speed							89
1950	High Speed							90
1950	High Speed							91
1950	High Speed							92
1950	High Speed							93
1950	High Speed							94
1950	High Speed							95
1950	High Speed							96
1950	High Speed							97
1950	High Speed							98
1950	High Speed							99
1950	High Speed							100