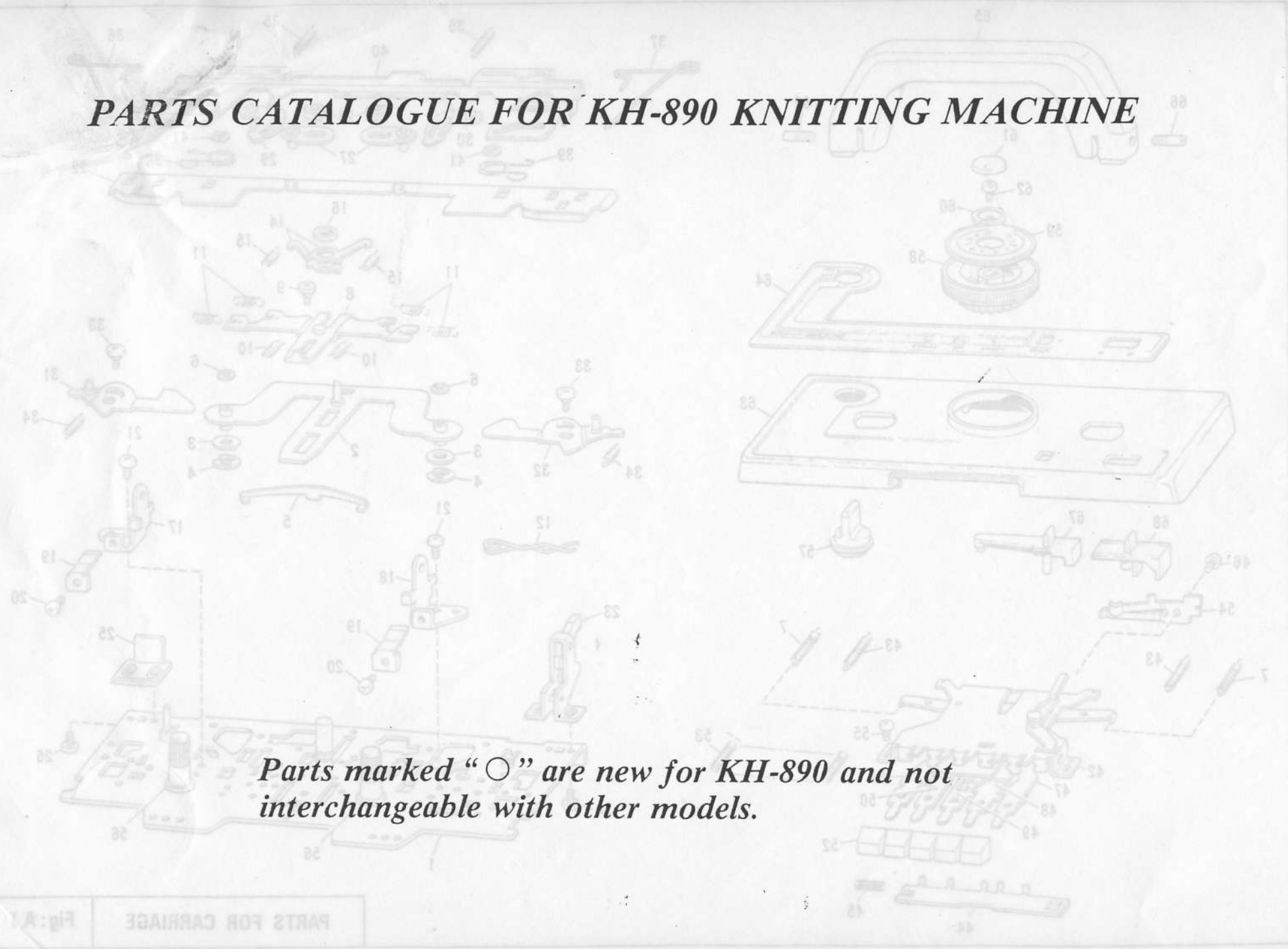
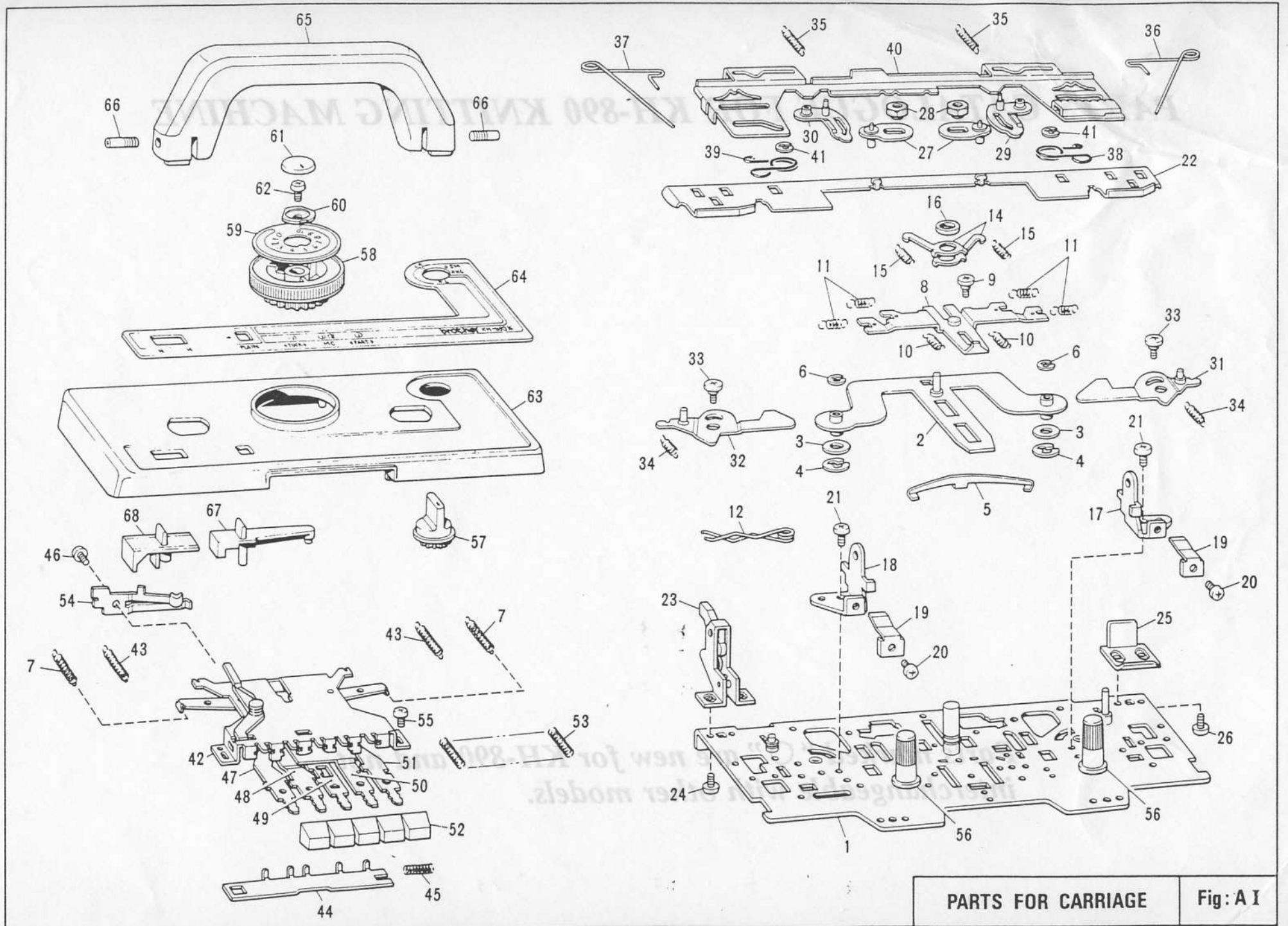


# PARTS CATALOGUE FOR KH-890 KNITTING MACHINE



*Parts marked "○" are new for KH-890 and not interchangeable with other models.*

Fig: A1 PARTS FOR CARRIAGE

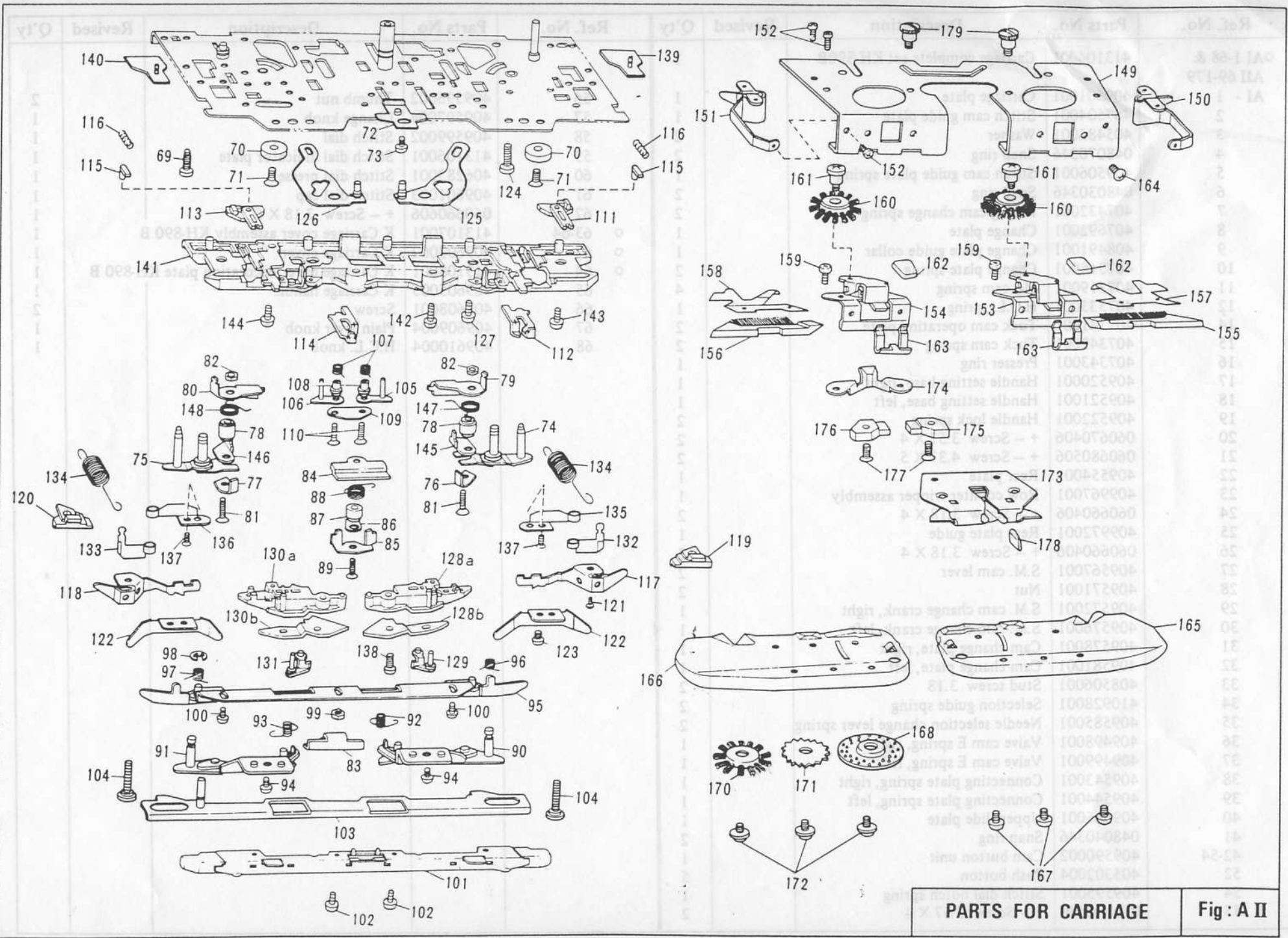


PARTS FOR CARRIAGE

Fig: A I

# PARTS FOR CARRIAGE UPPER PART

Ref. No.	Parts No.	Description	Revised	Q'ty	Ref. No.	Parts No.	Description	Revised	Q'ty
○AI 1-68 & AII 69-179	413104001	Carriage complete set KH-890B		1					
AI - 1	409501001	Carriage plate		1	56	409596002	Thumb nut		2
2	409504001	Stitch cam guide plate		1	57	409597004	Change knob		1
3	405483001	Washer		2	58	409599002	Stitch dial		1
4	048070346	Snap ring		2	59	413106001	Stitch dial indicator plate		1
5	409506001	Stitch cam guide plate spring		1	60	406283001	Stitch dial presser		1
6	048030346	Snap ring		2	61	409601003	Stitch dial cap		1
7	407432001	Rasing cam change spring		2	62	060660606	+ - Screw 3.18 X 6		1
8	407692001	Change plate		1	○ 63-64	413107001	K Carriage cover assembly KH-890 B		1
9	408491001	Change plate guide collar		1	○ 63	409603002	K Carriage cover		1
10	407318001	Change plate spring		2	○ 64	413108001	K Carriage cover decoration plate KH-890 B		1
11	407319001	MC cam spring		4	65	409605005	K Carriage handle		1
12	407333001	H.C.L. spring		1	66	409608001	Screw		2
14	407341001	Tuck cam operating plate		2	67	409609004	Plain lever knob		1
15	407342001	Tuck cam spring		2	68	409610004	H.C.L. knob		1
16	407343001	Presser ring		1					
17	409520001	Handle setting base, right		1					
18	409521001	Handle setting base, left		1					
19	409522001	Handle lock spring		2					
20	060670406	+ - Screw 3.57 X 4		2					
21	060680506	+ - Screw 4.37 X 5		2					
22	409554001	Rear plate		1					
23	409967001	Row counter tripper assembly		1					
24	060660406	+ - Screw 3.18 X 4		2					
25	409972001	Rear plate guide		1					
26	060660406	+ - Screw 3.18 X 4		2					
27	409567001	S.M. cam lever		2					
28	409571001	Nut		2					
29	409572001	S.M. cam change crank, right		1					
30	409576001	S.M. cam change crank, left		1					
31	409578001	Cam change plate, right		1					
32	409581001	Cam change plate, left		1					
33	408506001	Stud screw 3.18		2					
34	410928001	Selection guide spring		2					
35	409585001	Needle selection change lever spring		2					
36	409498001	Valve cam E spring, right		1					
37	409499001	Valve cam E spring, left		1					
38	409543001	Connecting plate spring, right		1					
39	409544001	Connecting plate spring, left		1					
40	409565001	Upper slide plate		1					
41	048040346	Snap ring		2					
42-54	409590002	Cam button unit		1					
52	405302004	Push botton		5					
54	409595001	Stitch dial notch spring		1					
55	060670406	+ - Screw 3.57 X 4		2					



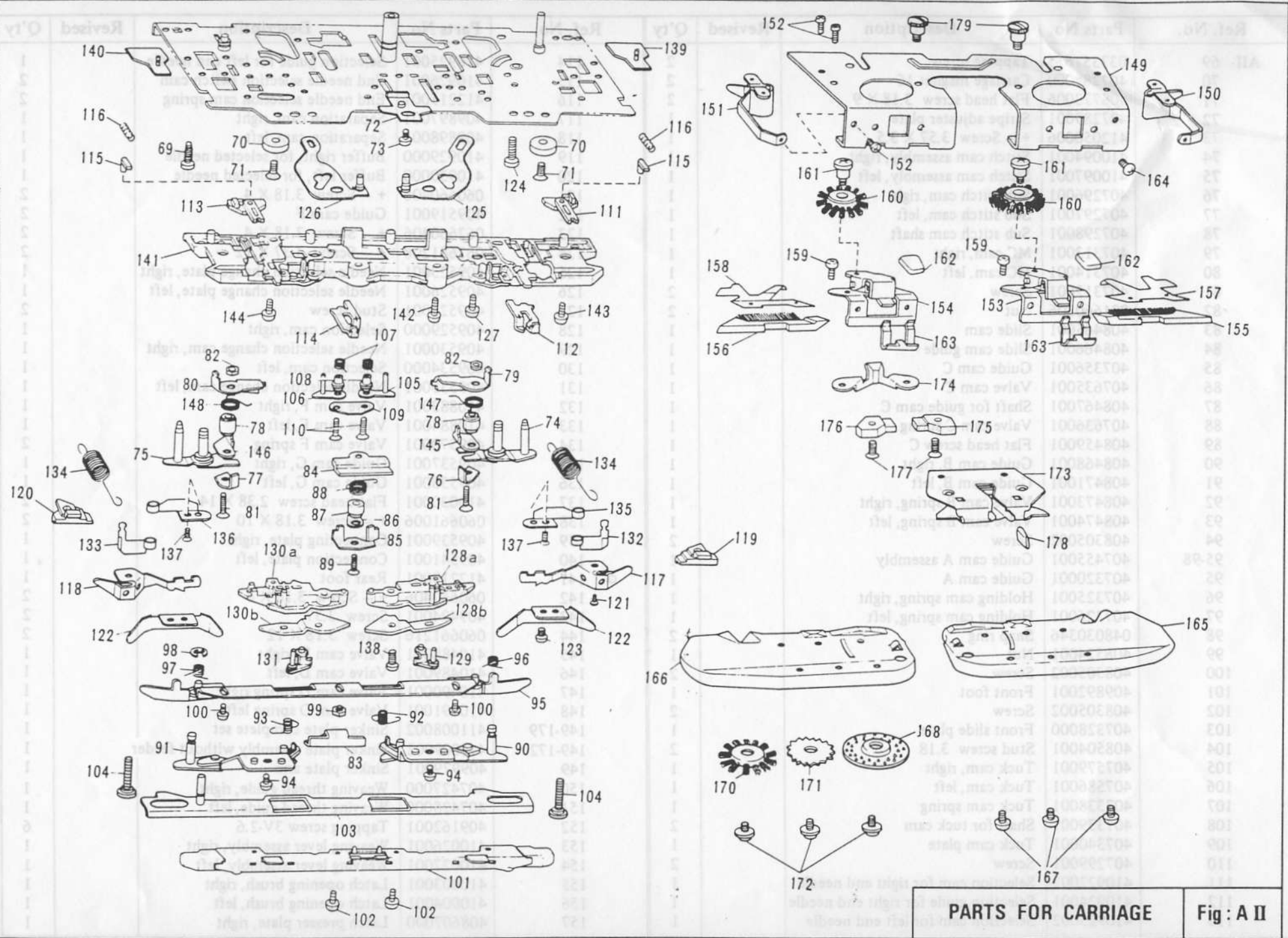
PARTS FOR CARRIAGE

Fig : A II



# PARTS FOR CARRIAGE LOWER PART

Ref. No.	Parts No.	Description	Revised	Q'ty	Ref. No.	Parts No.	Description	Revised	Q'ty
AII- 69	037351615	Tapping screw		2	114	410925001	Selection guide for left end needle		1
70	407285000	Carriage magnet 16		2	115	410926001	End needle selection switch cam		2
71	408773006	Flat head screw 3.18 X 9		2	116	412215001	End needle selection cam spring		2
72	407289001	Stripe adjuster plate		1	117	409897001	Separation cam, right		1
73	412050006	+ - Screw 3.57 X 3.5		1	118	409898001	Separation cam, left		1
74	410094001	Stitch cam assembly, right		1	119	410929000	Buffer right, for selected needle		1
75	410097001	Stitch cam assembly, left		1	120	410930000	Buffer left, for selected needle		1
76	407296001	Sub stitch cam, right		1	121	060660406	+ - Screw 3.18 X 4		2
77	407297001	Sub stitch cam, left		1	122	409519001	Guide cam F		2
78	407298001	Sub stitch cam shaft		1	123	062660406	+ - Screw 3.18 X 4		2
79	407313001	MC cam, right		1	124	062681206	+ - Screw 4.37 X 12		2
80	407314001	MC cam, left		1	125	409523001	Needle selection change plate, right		1
81	407312001	Screw		2	126	409526001	Needle selection change plate, left		1
82	021660306	Nut		2	127	409528001	Stud screw		2
83	408465001	Slide cam		1	128	409529000	Selection cam, right		1
84	408466001	Slide cam guide		1	129	409530001	Needle selection change cam, right		1
85	407356001	Guide cam C		1	130	409534000	Selection cam, left		1
86	407635001	Valve cam C		1	131	409535001	Needle selection change cam, left		1
87	408467001	Shaft for guide cam C		1	132	410883001	Valve cam F, right		1
88	407636001	Valve cam C spring		1	133	410884001	Valve cam F, left		1
89	408459001	Flat head screw C		1	134	409570001	Valve cam F spring		2
90	408468001	Guide cam B, right		1	135	409537001	Guide cam G, right		1
91	408471001	Guide cam B, left		1	136	409538001	Guide cam G, left		1
92	408473001	Valve cam B spring, right		1	137	410030001	Flat head screw 2.38 X 14		2
93	408474001	Valve cam B spring, left		1	138	060661006	+ - Screw 3.18 X 10		2
94	408305002	Screw		2	139	409539001	Connecting plate, right		1
95-98	407455001	Guide cam A assembly		1	140	409541001	Connection plate, left		1
95	407320001	Guide cam A		1	141	412219001	Rear foot		1
96	407325001	Holding cam spring, right		1	142	060660406	+ - Screw 3.18 X 4		2
97	407326001	Holding cam spring, left		1	143	409494001	Screw 3.57		2
98	048030346	Snap ring		2	144	060661216	Screw 3.18 X 12		2
99	408524001	Nut		1	145	410488001	Valve cam D, right		1
100	408305002	Screw		2	146	410489001	Valve cam D, left		1
101	409892001	Front foot		1	147	410490001	Valve cam D spring right		1
102	408305002	Screw		2	148	410491001	Valve cam D spring left		1
103	407328000	Front slide plate		1	149-179	411008002	Sinker plate complete set		1
104	408504001	Stud screw 3.18		2	149-172	411009002	Sinker plate assembly without feeder		1
105	407579001	Tuck cam, right		1	149	409979001	Sinker plate arm		1
106	407586001	Tuck cam, left		1	150	407427000	Weaving thread guide, right		1
107	407338001	Tuck cam spring		1	151	407428000	Weaving thread guide, left		1
108	407339001	Shaft for tuck cam		2	152	409162001	Tapping screw 3V-2.6		6
109	407340001	Tuck cam plate		1	153	410026001	Weaving lever assembly, right		1
110	407299001	Screw		2	154	410027001	Weaving lever assembly, left		1
111	410922002	Selection cam for right end needle		1	155	410003001	Latch opening brush, right		1
112	410924001	Selection guide for right end needle		1	156	410004001	Latch opening brush, left		1
113	410923002	Selection cam for left end needle		1	157	408607000	Latch presser plate, right		1



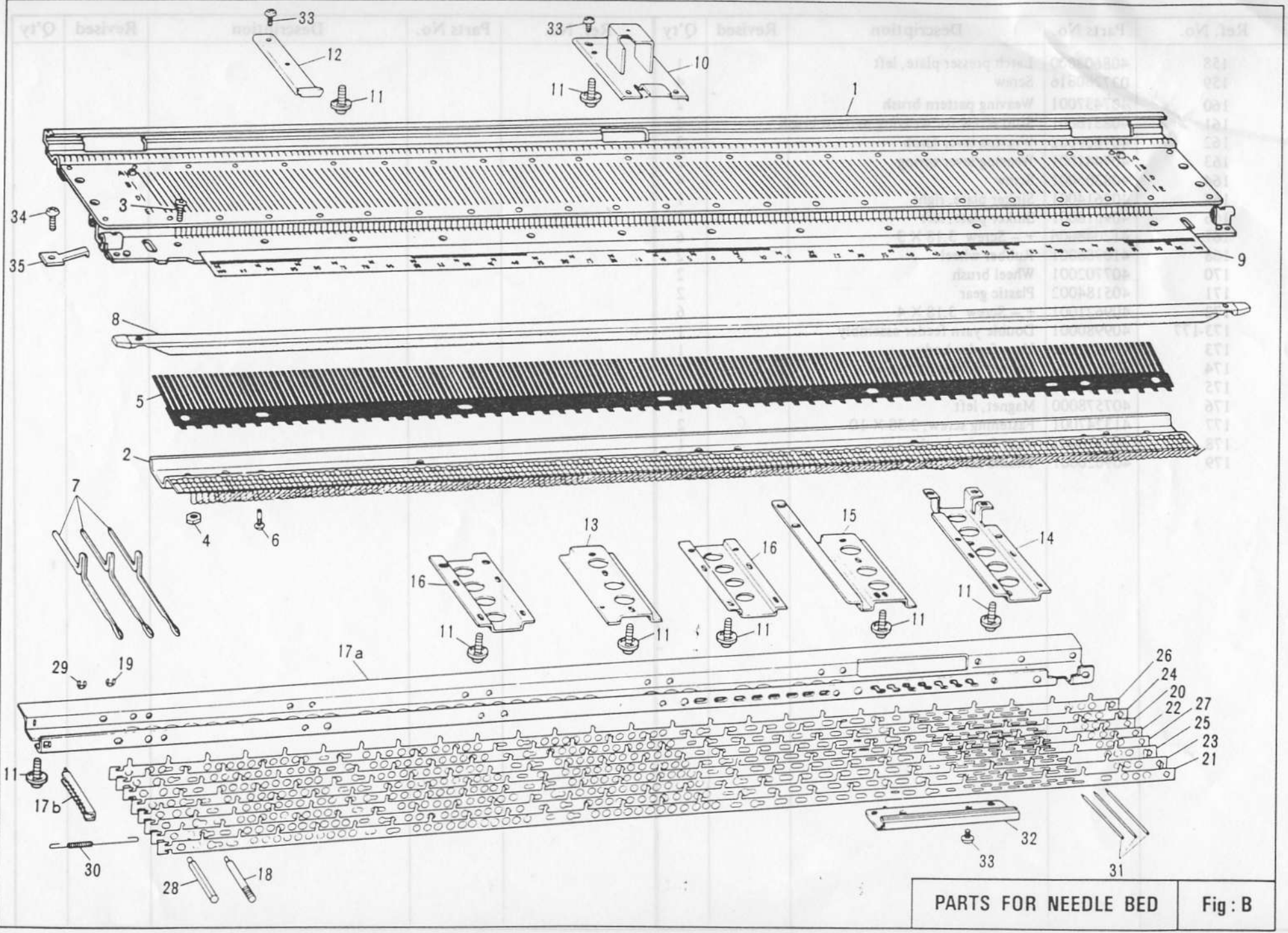
PARTS FOR CARRIAGE

Fig : A II

Ref. No.	Parts No.	Description	Revised	Q'ty	Ref. No.	Parts No.	Description	Revised	Q'ty
158	408608000	Latch presser plate, left		1					
159	037280616	Screw		4					
160	407437001	Weaving pattern brush		2					
161	408316001	Stud screw for weaving pattern brush		2					
162	409629002	Weaving lever knob		2					
163	407441001	Weaving lever spring		2					
164	408305001	Screw		4					
165	409614001	Sinker plate, right		1					
166	409618001	Sinker plate, left		1					
167	412048006	+ - Screw 3.18 X 3		6					
168	410988001	Rubber wheel		2					
170	407702001	Wheel brush		2					
171	405184002	Plastic gear		2					
172	409621001	+ - Screw 3.18 X 4		6					
173-177	409980001	Double yarn feeder assembly		1					
173	409981001	Yarn feeder body		1					
174	409625000	Magnet holder plate		1					
175	407454000	Magnet, right		1					
176	407578000	Magnet, left		1					
177	413247001	Fastening screw, 2.38 X 10		2					
178	407450003	Yarn feeder knob		1					
179	409626001	Thumb screw		2					

Fig: B PARTS FOR NEEDLE BED



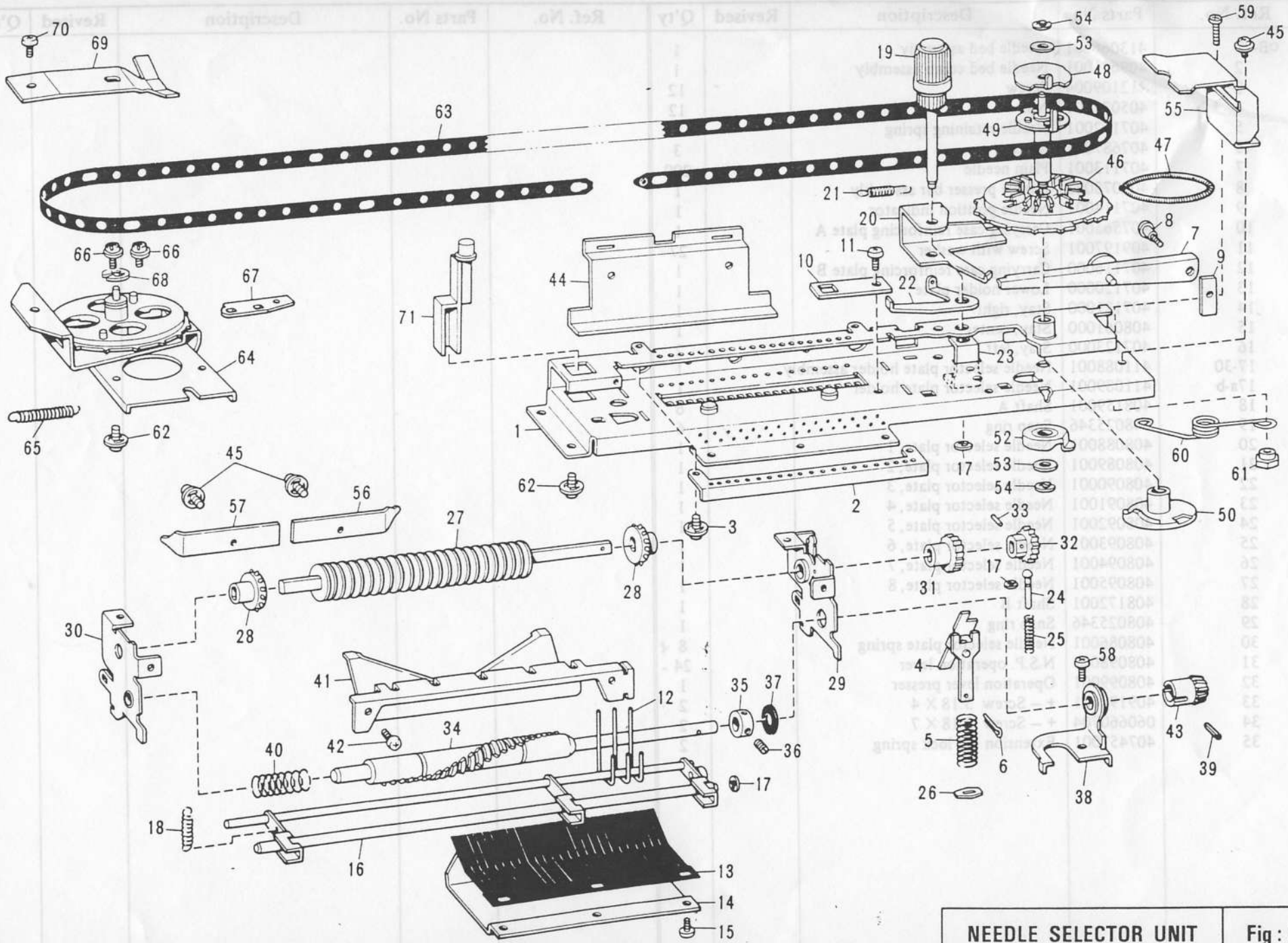


PARTS FOR NEEDLE BED      Fig: B



# PARTS FOR NEEDLE BED

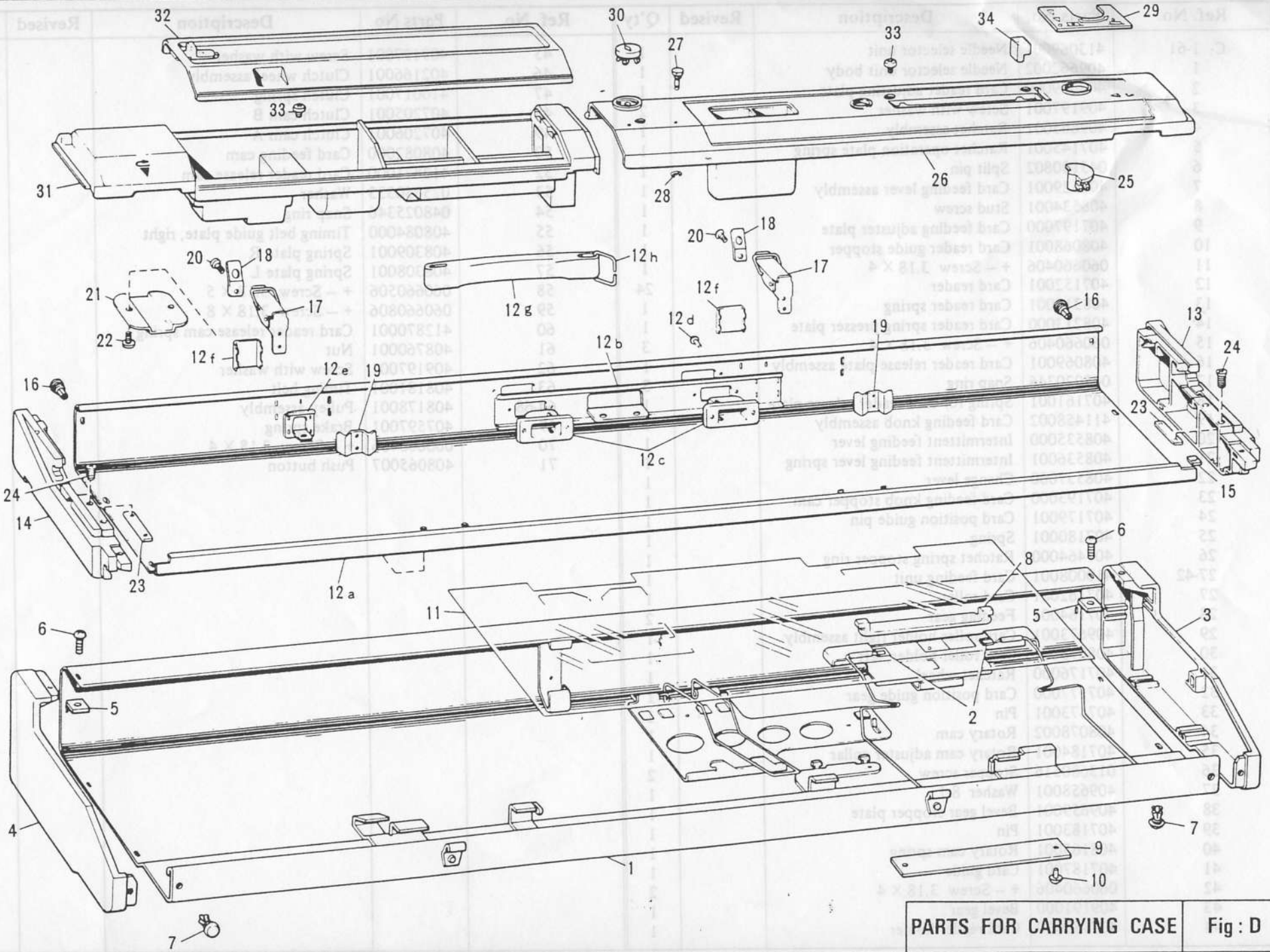
Ref. No.	Parts No.	Description	Revised	Q'ty	Ref. No.	Parts No.	Description	Revised	Q'ty
○B- 1	413066001	Needle bed assembly		1					
2	409641001	Needle bed comb assembly		1					
3	412109004	Screw		12					
4	405077001	Nut		12					
5	407112001	Needle retaining spring		1					
6	407687001	Screw		3					
7	407113001	Plain needle		200					
8	405078003	Needle presser bar assembly		1					
9	407114001	Needle position indicator		1					
10	407565001	Carrying case reinforcing plate A		1					
11	409197001	Screw with washer		27					
12	407116000	Carrying case reinforcing plate B		1					
13	407120000	Lower holder plate		1					
14	407121000	Stay, right		1					
15	408061000	Stay, center		1					
16	407123000	Stay, left		2					
17-30	411088001	Needle selector plate holder assembly		1					
17a-b	411089001	Needle selector plate holder		1					
18	408159001	Shaft A		6					
19	048025346	Snap ring		6					
20	408088001	Needle selector plate, 1		1					
21	408089001	Needle selector plate, 2		1					
22	408090001	Needle selector plate, 3		1					
23	408091001	Needle selector plate, 4		1					
24	408092001	Needle selector plate, 5		1					
25	408093001	Needle selector plate, 6		1					
26	408094001	Needle selector plate, 7		1					
27	408095001	Needle selector plate, 8		1					
28	408172001	Shaft B		1					
29	048025346	Snap ring		1					
30	408086001	Needle selector plate spring		8					
31	408098001	N.S.P. operation lever		24					
32	408099001	Operation lever presser		1					
33	409197001	+ - Screw 3.18 X 4		2					
34	060660704	+ - Screw 3.18 X 7		2					
35	407457001	Extension rail lock spring		2					



NEEDLE SELECTOR UNIT	Fig: C
----------------------	--------

# PARTS FOR NEEDLE SELECTOR UNIT

Ref. No.	Parts No.	Description	Revised	Q'ty	Ref. No.	Parts No.	Description	Revised	Q'ty
C- 1-61	413069001	Needle selector unit		1	45	409197001	Screw with washer		2
1	409662002	Needle selector unit body		1	46	402166001	Clutch wheel assembly		1
2	409679000	Card reader adjusting plate		1	47	410017001	Clutch spring		1
3	409197001	Screw with washer		2	48	407205001	Clutch cam B		1
4	409665001	Ratchet assembly		1	49	407206001	Clutch cam A		1
5	407145001	Ratchet operation plate spring		1	50	408082000	Card feeding cam		1
6	045100802	Split pin		1	52	412871000	Card reader release cam		1
7	408529001	Card feeding lever assembly		1	53	025350333	Washer		2
8	408534001	Stud screw		1	54	048025346	Snap ring		2
9	407197000	Card feeding adjuster plate		1	55	408084000	Timing belt guide plate, right		1
10	408068001	Card reader guide stopper		1	56	408309001	Spring plate R		1
11	060660406	+ - Screw 3.18 X 4		1	57	408308001	Spring plate L		1
12	407152001	Card reader		24	58	060660506	+ - Screw 3.18 X 5		1
13	408315001	Card reader spring		1	59	060660806	+ - Screw 3.18 X 8		1
14	408213000	Card reader spring presser plate		1	60	412870001	Card reader release cam spring		1
15	060660406	+ - Screw 3.18 X 4		3	61	408760001	Nut		1
16	408069001	Card reader release plate assembly		1	62	409197001	Screw with washer		5
17	048020346	Snap ring		3	63	408181001	Timing belt		1
18	407161001	Spring for card reader release plate		1	64-68	408178001	Pulley assembly		1
19	411458002	Card feeding knob assembly		1	69	407597001	Brake spring		1
20	408535000	Intermittent feeding lever		1	70	060660406	+ - Screw 3.18 X 4		1
21	408536001	Intermittent feeding lever spring		1	71	408065007	Push button		1
22	408537000	Change lever		1					
23	407193000	Card feeding knob stopper cam		1					
24	407179001	Card position guide pin		1					
25	407180001	Spring		1					
26	407464000	Ratchet spring stopper ring		1					
27-42	410008001	Card feeding unit		1					
27	407162001	Card roller		1					
28	407164001	Feeding gear		2					
29	409673001	Card roller holder right assembly		1					
30	408075001	Card roller holder, left		1					
31	407176000	Ratchet wheel		1					
32	407177000	Card position guide gear		1					
33	407473001	Pin		1					
34	408078002	Rotary cam		1					
35	407184001	Rotary cam adjuster collar		1					
36	013680516	Stopper screw		2					
37	409658001	Washer 8.1		1					
38	409659001	Bevel gear stopper plate		1					
39	407183001	Pin		1					
40	408165001	Rotary cam spring		1					
41	407187001	Card guide		1					
42	060660406	+ - Screw 3.18 X 4		2					
43	409191000	Bevel gear		1					
44	407188000	Card reader holder		1					

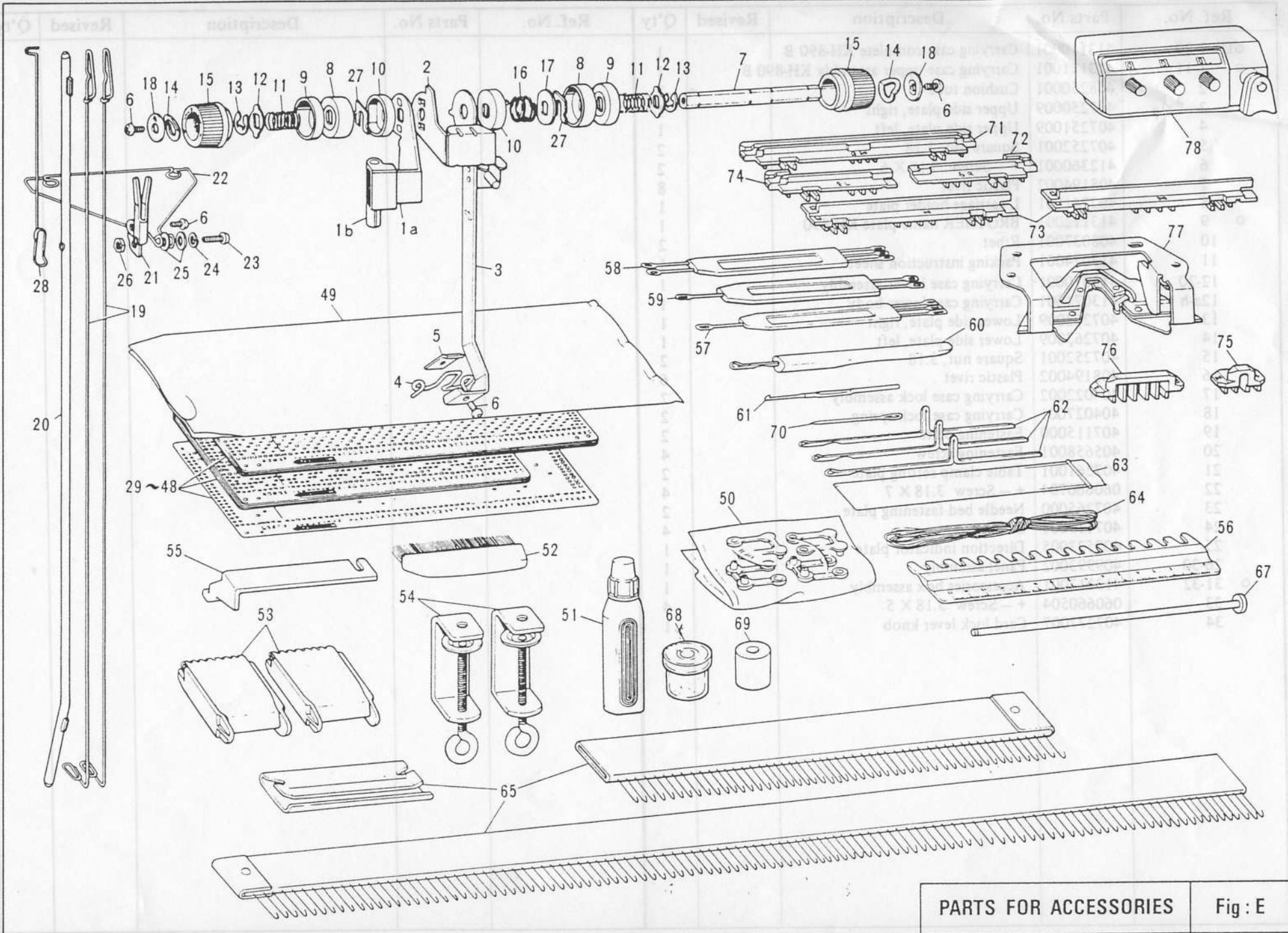


PARTS FOR CARRYING CASE	Fig : D
-------------------------	---------



# PARTS FOR CARRYING CASE

Ref. No.	Parts No.	Description	Revised	Q'ty	Ref. No.	Parts No.	Description	Revised	Q'ty
○D- 1-20	413110001	Carrying case complete KH-890 B		1					
○ 1-11	413111001	Carrying case upper assembly KH-890 B		1					
2	408250001	Cushion tube		2					
3	407250009	Upper side plate, right		1					
4	407251009	Upper side plate, left		1					
5	407252001	Square nut, 3.18		2					
6	412360001	+ - Screw 3.18 X 6		2					
7	408194002	Plastic rivet		8					
8	407741001	L carriage holder plate		1					
○ 9	413112001	BROTHER name plate KH-890		1					
10	408037001	Ribet		2					
11	413074001	Packing instruction sheet		1					
12-20	413070001	Carrying case lower assembly		1					
12a-h	413071001	Carrying case lower body		1					
13	407262009	Lower side plate, right		1					
14	407263009	Lower side plate, left		1					
15	407252001	Square nut, 3.18		2					
16	408194002	Plastic rivet		6					
17	404022002	Carrying case lock assembly		2					
18	404027001	Carrying case lock spring		2					
19	407115000	Fastening plate		2					
20	405658001	Fastening screw		4					
21	407261001	Table clamp setting plate		2					
22	060660704	+ - Screw 3.18 X 7		4					
23	407265000	Needle bed fastening plate		2					
24	407119001	Screw		4					
25	407523005	Direction indicator plate		1					
26-30	409993002	Panel assembly		1					
○ 31-32	413113001	Accessories box assembly		1					
33	060660504	+ - Screw 3.18 X 5		4					
34	407277007	Card lock lever knob		1					

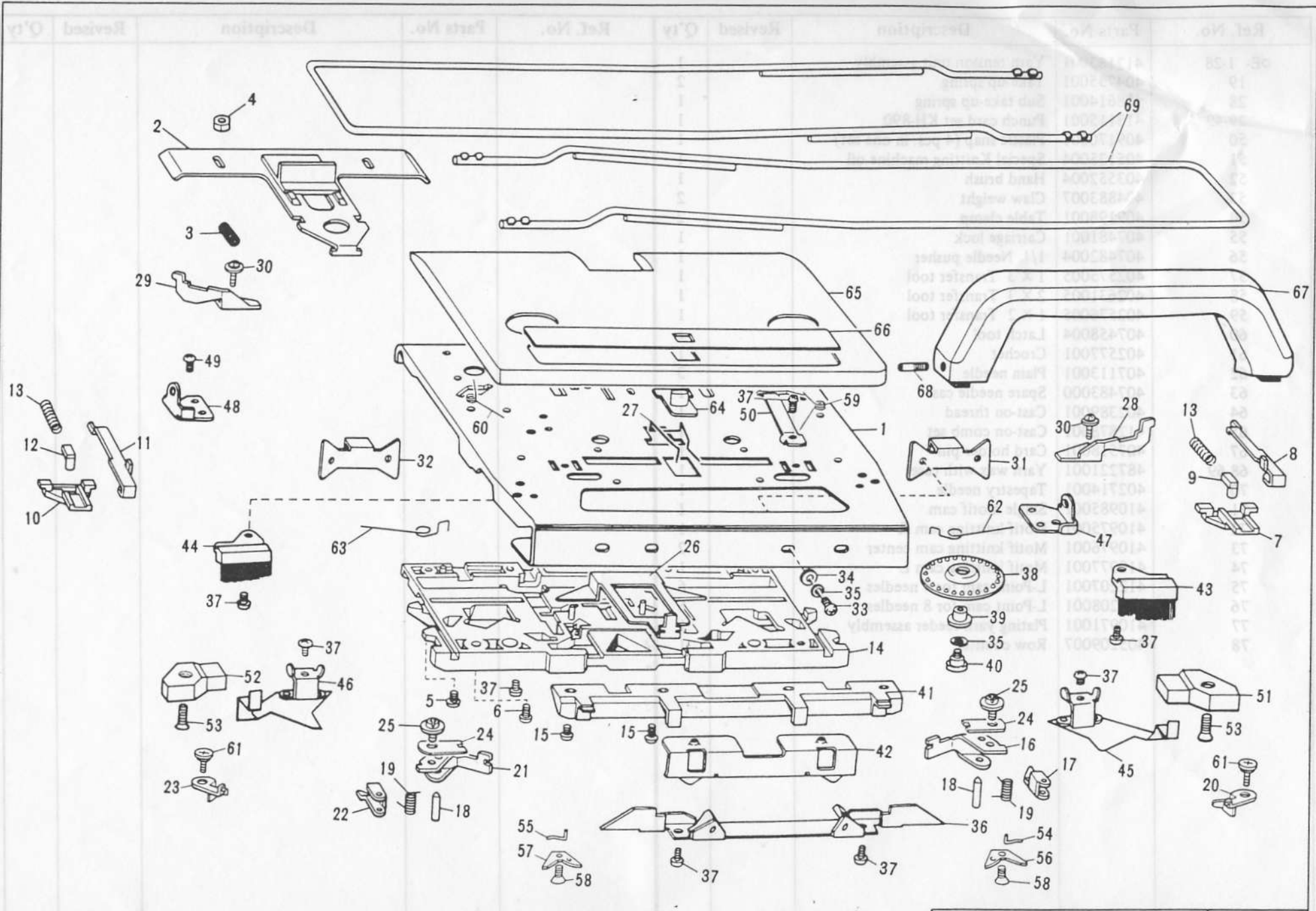


PARTS FOR ACCESSORIES

Fig: E

# PARTS FOR ACCESSORIES

Ref. No.	Parts No.	Description	Revised	Q'ty	Ref. No.	Parts No.	Description	Revised	Q'ty
OE- 1-28	412183001	Yarn tension unit assembly		1					
19	404755001	Take-up spring		2					
28	408614001	Sub take-up spring		1					
29-49	413115001	Punch card set KH-890		1					
50	409170001	Plastic snap (4 pcs. in one set)		1					
51	405135004	Special Knitting machine oil		1					
52	403552004	Hand brush		1					
53	404883007	Claw weight		2					
54	409198001	Table clamp		2					
55	407481001	Carriage lock		1					
56	407482004	1/1 Needle pusher		1					
57	402575005	1 X 3 Transfer tool		1					
58	402631005	2 X 3 Transfer tool		1					
59	402576005	1 X 2 Transfer tool		1					
60	407458004	Latch tool		1					
61	402577001	Crochet		1					
62	407113001	Plain needle		3					
63	407483000	Spare needle case		1					
64	402389001	Cast-on thread		1					
65	412878001	Cast-on comb set		1					
67	407518001	Card holder pin		1					
68-69	487221001	Yarn wax with case		1					
70	402714001	Tapestry needle		1					
71	410985001	Single motif cam		1					
72	410975001	Motif knitting cam R		1					
73	410976001	Motif knitting cam center		2					
74	410977001	Motif knitting cam L		1					
75	412207001	L-Point cam for 4 needles		6					
76	412208001	L-Point cam for 8 needles		6					
77	410971001	Plating yarn feeder assembly		1					
78	405209007	Row counter		1					



PARTS FOR L-CARRIAGE      Fig: F



# PARTS FOR L-CARRIAGE

Ref. No.	Parts No.	Description	Revised	Q'ty	Ref. No.	Parts No.	Description	Revised	Q'ty
○F- 1-68	413101001	L carriage assembly KH-890		1	47	409740001	Handle setting base, right		1
1	410563001	L carriage plate		1	48	409739001	Handle setting base, left		1
2	410564001	Release button plate assembly		1	49	060670506	+ - Screw 3.57 X 5		2
3	410565001	Release button plate spring		1	50	407522001	Handle lock spring		2
4	408166001	Stud for release button plate		2	51	407454000	Magnet, right		1
5	060660706	+ - Screw 3.18 X 7		4	52	407578000	Magnet, left		1
6	060660806	+ - Screw 3.18 X 8		4	53	061661006	Screw		2
7	410957002	R end needle selection cam for L		1	54	412141001	Valve cam B, right for L		1
8	410958001	R end needle selection plate for L		1	55	412142001	Valve cam B, left for L		1
9	410959001	R end needle selection change cam for L		1	56	412143001	Rein forcing plate B, right for L cam		1
10	410960002	L end needle selection cam for L		1	57	412144001	Rein forcing plate B, left for L cam		1
11	410961001	L end needle selection plate for L		1	58	040210812	Tapping screw		2
12	410962001	L end needle selection change cam for L		1	59	412147001	Valve cam C spring, right		1
13	410963001	End needle selection cam spring for L		2	60	412148001	Valve cam C spring, left		1
14	412138001	Main cam		1	61	409528001	Screw		2
15	060660806	+ - Screw 3.18 X 8		2	62	410966001	R end needle selection change spring		1
16	410578001	Separation cam R for L carriage		1	63	410967001	L end needle selection change spring		1
17	408132001	Raising cam right for L carriage		1	64	409744004	Lace selecting knob		1
18	410579001	Shaft for separation cam		1	65-66	413102001	L carriage cover assembly KH-890		1
19	408134001	Raising cam spring		1	67	409748005	L carriage handle		1
20	412145001	Valve cam C, right for L		1	68	409751001	Screw		2
21	410581001	Separation cam L for L carriage		1	69	412205001	Extension rail		2
22	408137001	Raising cam left for L carriage		1					
23	412146001	Valve cam C, left for L		1					
24	412898000	Presser plate		2					
25	406397001	Screw with washer 3.18 X 5		2					
26	408582001	Lace selecting cam		1					
27	408583001	Change lever spring		1					
28	410583001	Right end needle separation cam for L		1					
29	410584001	Left end needle separation cam for L		1					
30	410592001	+ - Screw 3.18 X 12		2					
31	410494001	Needle transfer plate R		1					
32	410495001	Needle transfer plate L		1					
33	060660504	+ - Screw 3.18 X 5		4					
34	403069001	Washer		4					
35	028030243	Spring washer		4					
36	408573001	Cam plate		1					
37	060660406	+ - Screw 3.18 X 4		2					
38-39	411003001	Rubber wheel assembly		2					
40	405029001	Shud screw		2					
41	407490000	Front foot		1					
42	408579000	Front fool holder		1					
43	408580003	Small brush, right		1					
44	408581003	Small brush, left		1					
45	408561001	Spring plate, right		1					
46	408562001	Spring plate, left		1					

PARTS FOR J-CARRIAGE

Q'ty	Revised	Description	Parts No.	Ref. No.	Q'ty	Revised	Description	Parts No.	Ref. No.
1		Handle setting base, right	40374001	47	1		Transfer assembly KH-890	4121001	47
1		Handle setting base, left	40373001	48	1		L carriage plate	4102001	48
2		+ - Screw 3.2 X 2	06067006	49	2		Release button plate assembly	41024001	49
2		Handle lock spring	40722001	50	1		Release button plate spring	41028001	50
1		Magnet, right	407424000	51	2		Stand for release button plate	40816001	51
1		Magnet, left	407278000	52	4		+ - Screw 3.18 X 7	06066006	52
2		Screw	061881006	53	4		+ - Screw 3.18 X 8	06066006	53
1		Valve cam B, right for L	412141001	54	1		R end needle selection cam for L	41027002	54
1		Valve cam B, left for L	412142001	55	1		R end needle selection plate for L	41028001	55
1		Rain forcing plate B, right for L cam	412143001	56	1		R end needle selection change cam for L	41029001	56
1		Rain forcing plate B, left for L cam	412144001	57	1		L end needle selection cam for L	41029002	57
2		Tapping screw	040210812	58	1		L end needle selection plate for L	410291001	58
1		Valve cam C spring, right	412147001	59	1		L end needle selection change cam for L	410292001	59
1		Valve cam C spring, left	412148001	60	2		End needle selection cam spring for L	410293001	60
2		Screw	409228001	61	1		Main cam	412138001	61
1		R end needle selection change spring	410966001	62	2		+ - Screw 3.18 X 8	06066006	62
1		L end needle selection change spring	410967001	63	1		Separation cam R for L carriage	410278001	63
1		Lace selecting knob	409744004	64	1		Raising cam right for L carriage	408122001	64
1		L carriage cover assembly KH-890	413102001	65-66	1		Shaft for separation cam	410279001	65
1		L carriage handle	409748002	67	1		Raising cam spring	408134001	66
2		Screw	409721001	68	1		Valve cam C, right for L	412145001	67
2		Extension rail	412203001	69	1		Separation cam L for L carriage	410281001	68
					1		Raising cam left for L carriage	408147001	69
					1		Valve cam C, left for L	412146001	70
					2		Presser plate	412898000	71
					2		Screw with washer 3.18 X 2	408297001	72
					1		Lace selecting cam	408282001	73
					1		Change level spring	408283001	74
					1		Right end needle separation cam for L	410283001	75
					1		Left end needle separation cam for L	410284001	76
					1		+ - Screw 3.18 X 12	410292001	77
					1		Needle transfer plate R	410494001	78
					1		Needle transfer plate L	410492001	79
					4		+ - Screw 3.18 X 2	06066006	80
					4		Washer	403069001	81
					4		Spring washer	028030243	82
					1		Cam plate	408273001	83
					2		+ - Screw 3.18 X 4	06066006	84
					2		Rubber wheel assembly	411003001	85
					2		Shut screw	402029001	86
					1		Front foot	407490000	87
					1		Front foot holder	408270000	88
					1		Small brush, right	408280003	89
					1		Small brush, left	408281003	90
					1		Spring plate, right	408282001	91

BROTHER INDUSTRIES, LTD.

Printed in Japan  
K4105040-a

The part No. is subject to change without notice.