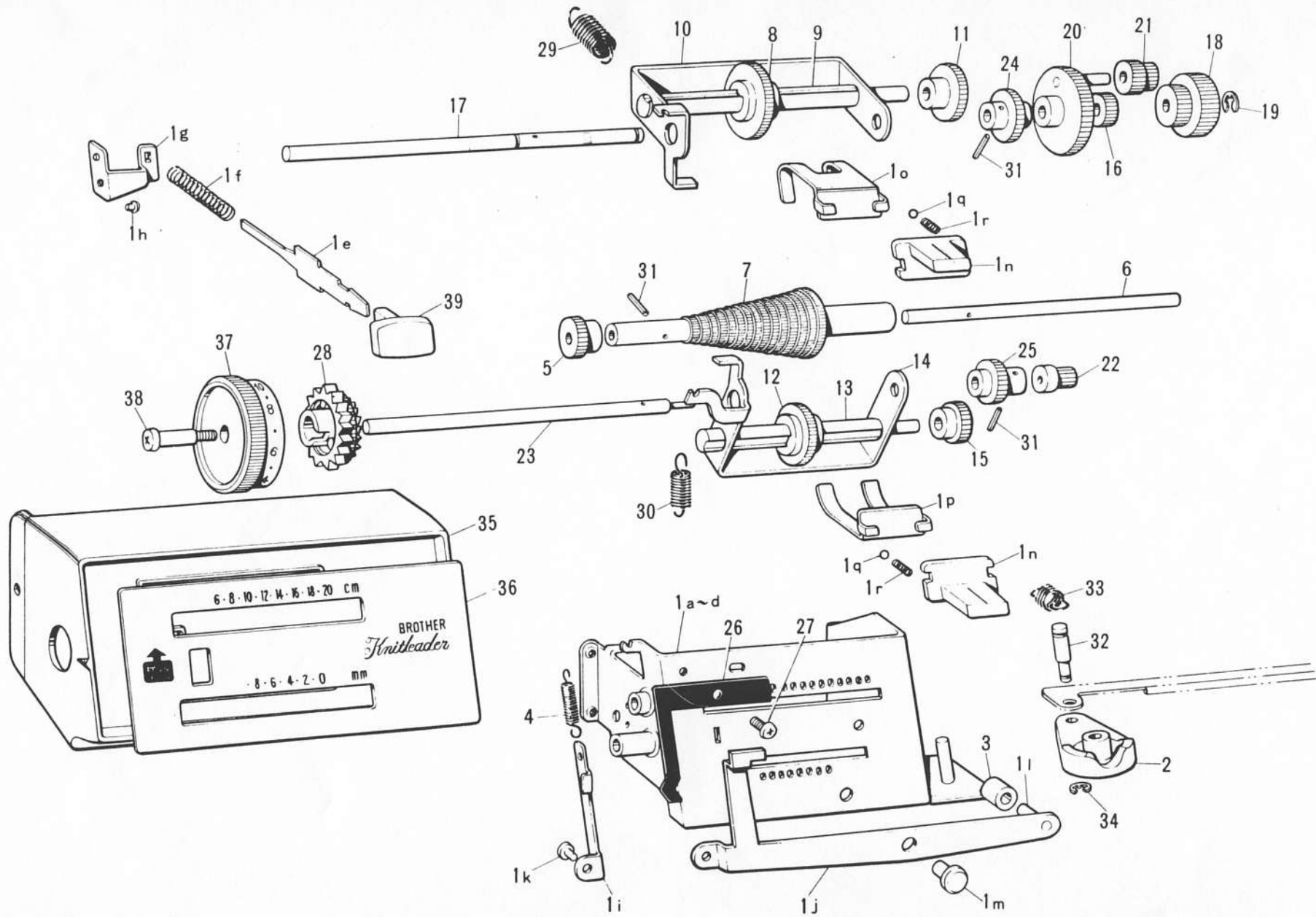


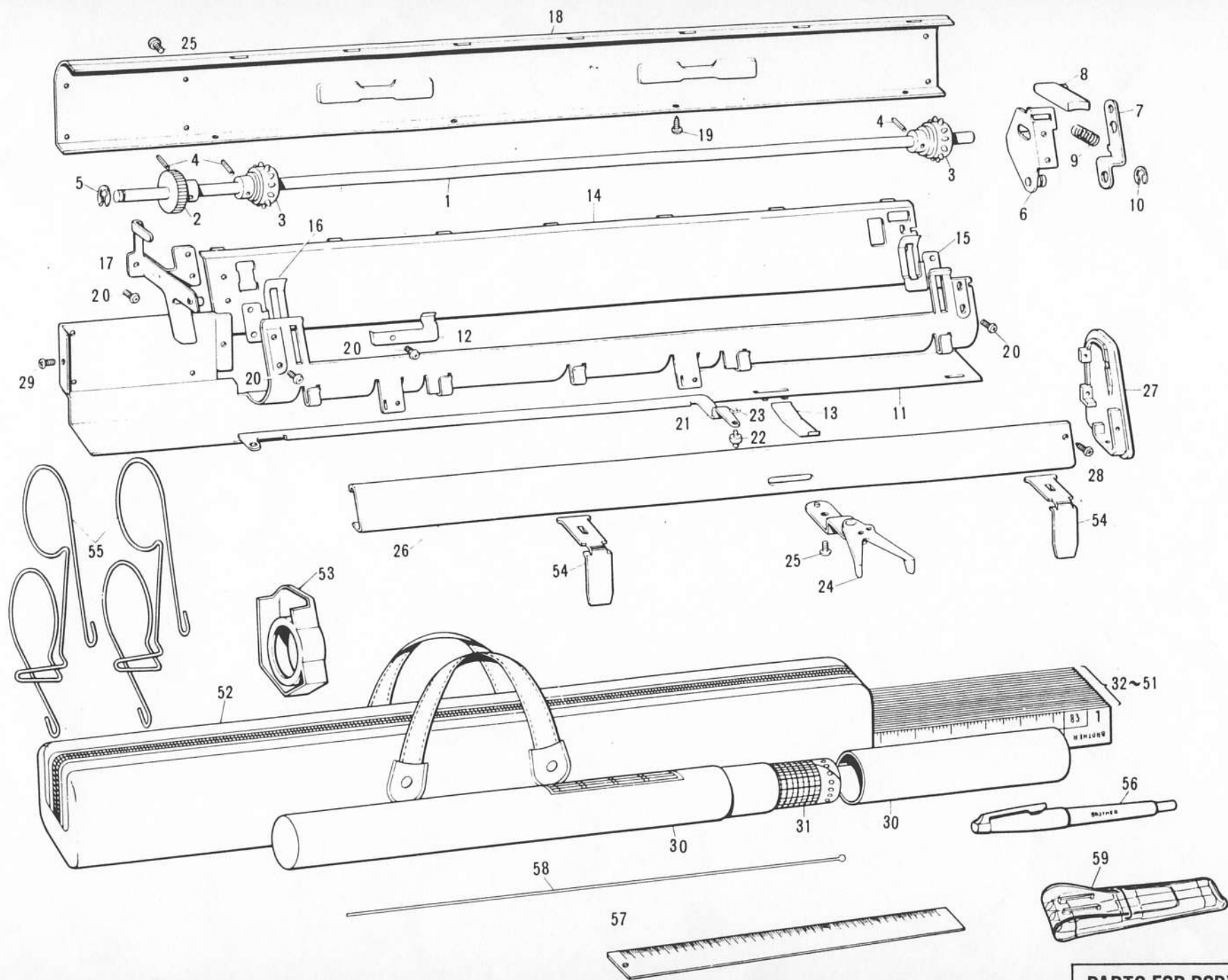
07-8

PARTS CATALOGUE FOR KL-116 KNIT-LEADER



PARTS CATALOGUE FOR KL-116 KNIT-LEADER

Ref. No.	Parts No.	Description	Q'ty	Ref. No.	Parts No.	Description	Q'ty
A 1-31	408588002	Gear unit	1	36	408957001	Gear box cover decoration plate	1
1	408589001	Gear unit frame assembly	1	37	408596001	Feeding dial	1
1e	408590001	Clutch lever	1	38	406169001	Screw	1
1f	406079001	Clutch lever spring	1	39	406170003	Clutch knob	1
1g	406080000	Clutch lever holder	1				
1h	043200403	Rivet	1				
1i-ℓ	408591001	Ratchet assembly	1				
1i	406083001	Ratchet	1				
1j	408592000	Ratchet arm	1				
1k	406085001	Rivet	1				
1ℓ	406086001	Stud for roller	1				
1m	406087001	Rivet for ratchet arm	1				
1n	406088001	Regulator knob	2				
1o	406090000	Slide plate upper	1				
1p	406091000	Slide plate lower	1				
1q	071023850	Steel ball	2				
1r	406092001	Regulator knob spring	2				
2	406094000	Feeding cam	1				
3	406095001	Roller	1				
4	406096001	Ratchet spring	1				
5-6	406097001	Input gear assembly	1				
5	406098000	Input gear	1				
6	406099001	Shaft for input gear	1				
7	406100001	Step gear	1				
8-11	406103001	Slide gear upper assembly	1				
8	406104000	Slide gear Z : 96	1				
9	406105001	Spline shaft upper	1				
10	406106000	Upper gear arm	1				
11	406107000	Z : 32 gear A	1				
12-15	406108001	Slide gear lower assembly	1				
12	406109000	Slide gear Z : 80	1				
13	406110001	Spline shaft lower	1				
14	406111000	Lower gear arm	1				
15	406112000	Z : 25 gear	1				
16-17	406114001	Z : 20 gear assembly	1				
16	406115000	Z : 20 gear	1				
17	406116001	Planetary gear shaft	1				
18	406117000	Z : 24 & Z : 39 gear	1				
19	048030346	Snap ring	1				
20	406118000	Z : 60 gear	1				
21	406120000	Z : 16 & Z : 20 gear	1				
22-23	406121001	Z : 12 gear assembly	1				
22	406122000	Z : 12 gear	1				
23	406123001	Shaft for Z : 12 gear	1				
24	406124000	Z : 32 gear B	1				
25	406125000	Z : 30 gear	1				
26	406126001	Brake spring	1				
27	002660404	Screw	1				
28	406128000	Ratchet wheel	1				
29	406129001	Upper gear arm spring	1				
30	406130001	Lower gear arm spring	1				
31	406131001	Spring pin	3				
32	406159001	Connecting rod holder shaft	1				
33	406160001	Feeding cam spring	1				
34	048030346	Snap ring	1				
35-36	408956002	Gear box assembly	1				
35	406164001	Gear box cover	1				



PARTS FOR BODY Fig: B

PARTS CATALOGUE FOR KL-116 KNIT-LEADER

Ref. No.	Parts No.	Description	Q'ty	Ref. No.	Parts No.	Description	Q'ty
B 1-20	407627003	Knit-leader body assembly	1	53	406223000	Side cover	Option
1-5	406134001	Feeding gear shaft assembly	1	54	407588001	Setting plate	2
1	406135001	Feeding gear shaft	1	55	406178001	Sheet guide	2
2	406136000	Z : 39 gear	1	56	406910001	Special felt pen (Black)	1
3	406137001	Feeding gear	2	57	405879001	Ruler	1
4	047261242	Spring pin	3	58	405683001	Binding wire	2
5	406138001	Snap ring	1	59	486392001	Special felt pen (Orange, Blue & Green)	Option
6-10	406139004	Feeding gear shaft holder assembly	1				
6	406140001	Feeding gear shaft holder base	1				
7	406143000	Feeding gear shaft holder	1				
8	406144004	Sheet button	1				
9	406145001	Sheet button lever spring	1				
10	048050346	Snap ring	1				
11	407628001	Lower frame assembly	1				
12	406149001	Scale catcher spring	2				
13	406150001	Spring plate for knit leader	2				
14	406151001	Front frame	1				
15	406152001	Sheet presser spring, right	1				
16	406153001	Sheet presser spring, left	1				
17	406154001	Gear box cover holder	1				
18	406157002	Back cover	1				
19	037270814	Screw	4				
20	002660404	Screw	7				
21	407576001	Connecting rod	1				
22	407894001	Feeding rod pin	1				
23	048025346	Snap ring	1				
24	407580001	Feeding lever	1				
25	002660504	Screw	1				
26	407577004	Front cover	1				
27	406162001	Side cover, right	1				
28	406206001	Screw	4				
29	002660804	Screw	1				
30-51	407034002	Scale & sheet set	1				
30	407035002	Sheet case	1				
31	486286001	Sheet set (5 pcs. in one set)	1				
32-51	406981001	Scale No. to 20 assembly	1				
32	406961001	Scale No. 1	1				
33	406962001	Scale No. 2	1				
34	406963001	Scale No. 3	1				
35	406964001	Scale No. 4	1				
36	406965001	Scale No. 5	1				
37	406966001	Scale No. 6	1				
38	406967001	Scale No. 7	1				
39	406968001	Scale No. 8	1				
40	406969001	Scale No. 9	1				
41	406970001	Scale No. 10	1				
42	406971001	Scale No. 11	1				
43	406972001	Scale No. 12	1				
44	406973001	Scale No. 13	1				
45	406974001	Scale No. 14	1				
46	406975001	Scale No. 15	1				
47	406976001	Scale No. 16	1				
48	406977001	Scale No. 17	1				
49	406978001	Scale No. 18	1				
50	406979001	Scale No. 19	1				
51	406980001	Scale No. 20	1				
52	408598001	Carrying bag	Option				