

**Instruction Manual  
For  
G-Carriage**

This knitting machine is for home use.

## “IMPORTANT SAFETY INSTRUCTIONS”

“When using an electrical appliance, basic safety precautions should always be followed, including the following:”

“Read all instructions before using (this appliance).”

**“DANGER** — To reduce the risk of electric shock:”

1. “An appliance should never be left unattended when plugged in. Always unplug this appliance from the electric outlet immediately after using and before cleaning.”

**“WARNING** — To reduce the risk of burns, fire, electric shock, or injury to persons:”

1. “Do not allow to be used as a toy. Close attention is necessary when this appliance is used by or near children.”

2. “Use this appliance only for its intended use as described in this manual. Use only attachments recommended by the manufacturer as contained in this manual.”

3. “Never operate this appliance if it has a damaged cord or plug, if it is not working properly, if it has been dropped or damaged, or dropped into water. Return the appliance to the nearest authorized dealer or service center for examination, repair, electrical or mechanical adjustment.”

4. “Never operate the appliance with the air openings blocked. Keep the air openings free of lint, hair, loose clothes and the like.”

5. “Never drop or insert any object into any opening.”

6. “Do not use outdoors.”

7. “Do not operate where aerosol (spray) products are being used or where oxygen is being administered.”

8. “To disconnect, turn all controls to the off (“0”) position, then remove plug from outlet.”

9. “Do not unplug by pulling on cord. To unplug, grasp the plug, not the cord.”

**“SAVE THESE INSTRUCTIONS”**

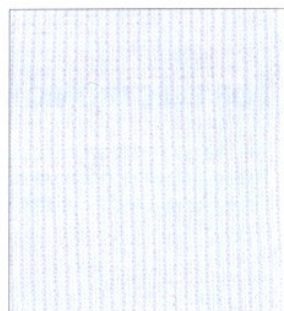
# CONTENTS

THE POSSIBILITIES OF THE G-CARRIAGE	
PATTERN VARIATIONS .....	1
PART NAMES .....	3
PREPARING TO KNIT .....	5
Selector .....	5
Automatic Return Lever .....	6
Carriage Direction Lever .....	6
Row Counter .....	7
Tension Dial .....	7
Needle Position .....	7
G-Point Cam .....	8
G-Lamp .....	8
Sensor .....	9
HOW TO USE THE G-CARRIAGE .....	10
Preparation .....	10
Casting-on .....	13
Rib Knitting .....	17
G-Stitch Pattern Designs .....	21
Casting-off .....	24
BASIC TECHNIQUES .....	28
Increasing/Decreasing .....	28
How to unravel and pick up stitches .....	31
How to shape a neck line	
1. KH-965/900/940/930 .....	33
2. KH-950i/950 .....	36
3. Punchcard Knitting Machine .....	38
Examples of when you must use the K-Carriage .....	40
Cable Knitting .....	40
Changing the yarn	
1. Electronic Knitting Machine .....	41
2. Punchcard Knitting Machine .....	42
USEFUL HINTS .....	43
If the G-Carriage should stop	
When using KH-965/950i/950/940/930 .....	43
When the G-Carriage is stopped clear of the knitting .....	45
When using KH-900 .....	46
When the G-Carriage is stopped clear of the knitting .....	46
When using punchcard knitting machine .....	47
How to unravel several rows	
When using KH-965/950i/950/940/930 .....	48
When using KH-900 .....	48
When using punchcard knitting machine .....	49
Turning off the power in the middle of pattern knitting .....	50
When the power is cut off in the middle of pattern knitting .....	52
Checking the G-Needle .....	53
Changing the G-Needle .....	54
Checking the gate peg and KH needles .....	54
Cleaning and maintenance .....	55
Precautions .....	55
COMPARISON CHART .....	56

## ● THE POSSIBILITIES OF THE G-CARRIAGE

The G-Carriage is a knitting carriage which is capable of knitting plain and purl stitches in one row as well as automatic cast-on and cast-off.

### 1. Rib Knitting



### 2. G-Stitch pattern designs



### 3. Cast-on



### 4. Cast-off



## PATTERN VARIATIONS

### FOR PUNCHCARD KNITTING MACHINE. . .

Use the Punchcards that come with Garter Carriage.

### FOR ELECTRONIC KNITTING MACHINE. . .

All the patterns shown below are memorized in the computer of your knitting machine, so you can select these patterns from your Pattern Book or Instruction Manual for PATTERN PROGRAM.  
(The Punchcards are not used.)

### ● G-STITCH PATTERN DESIGNS



Card No. 2 (GARTER STITCH)



Card No. 3



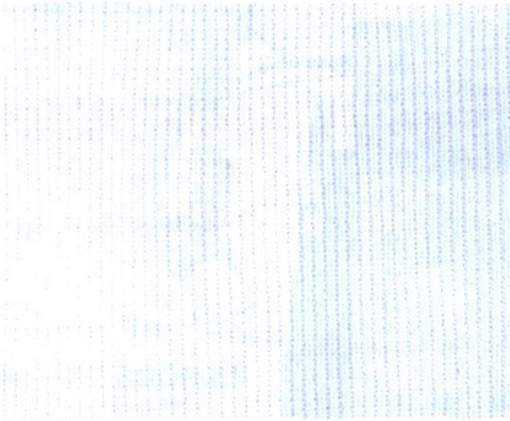
Card No. 4



Card No. 5

## ● RIB KNITTING

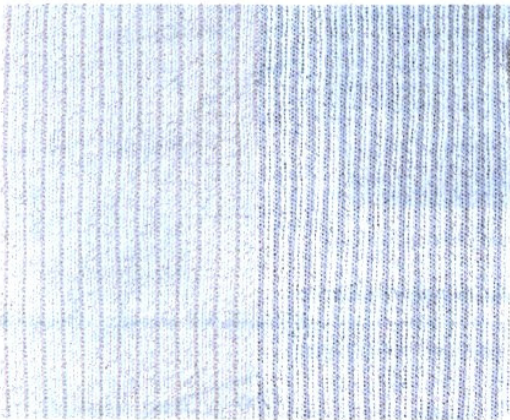
Card No. 1



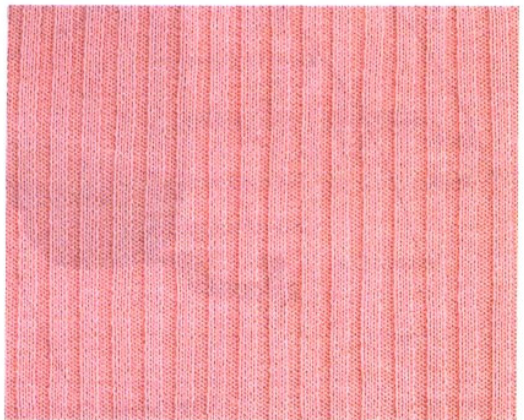
1x1 Rib



2x2 Rib



2x1 Rib



3x3 Rib



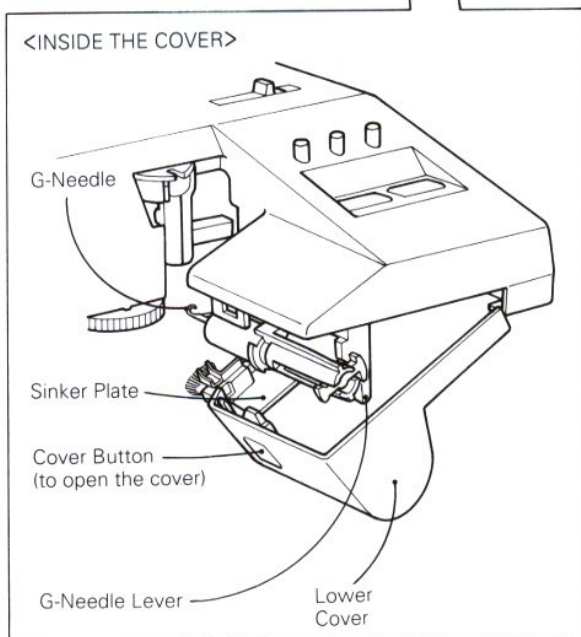
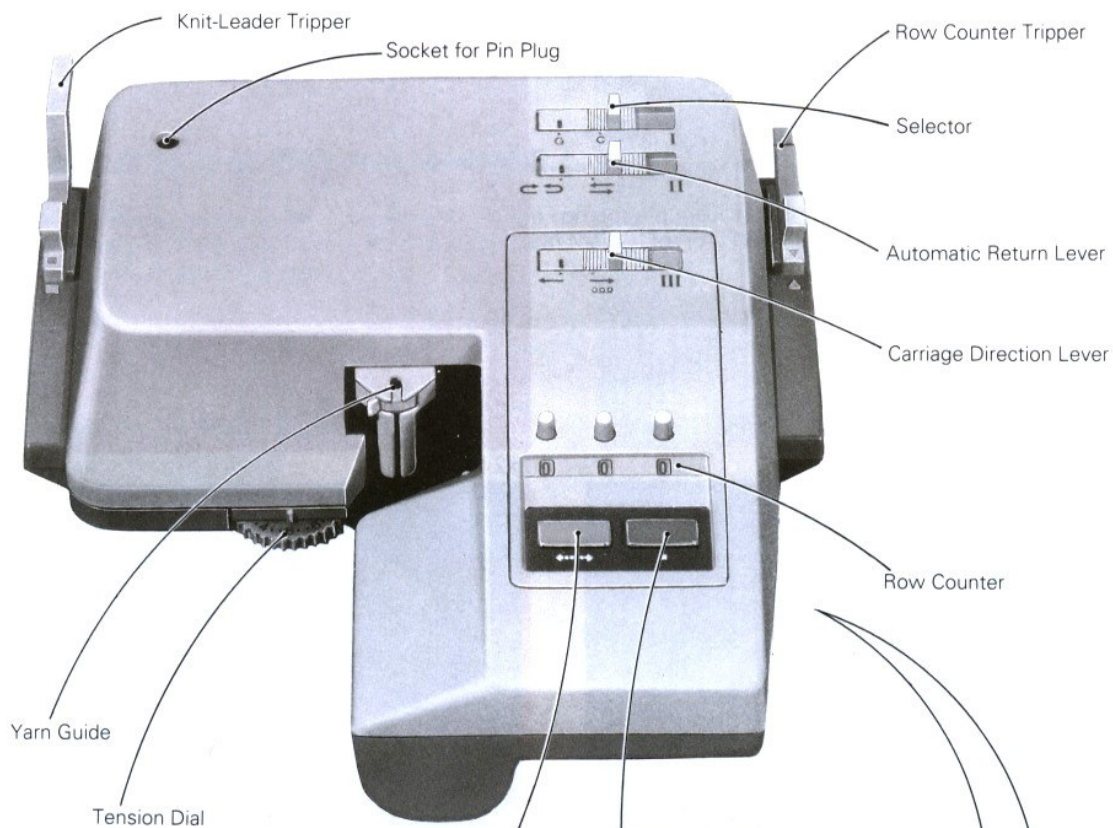
4x4 Rib



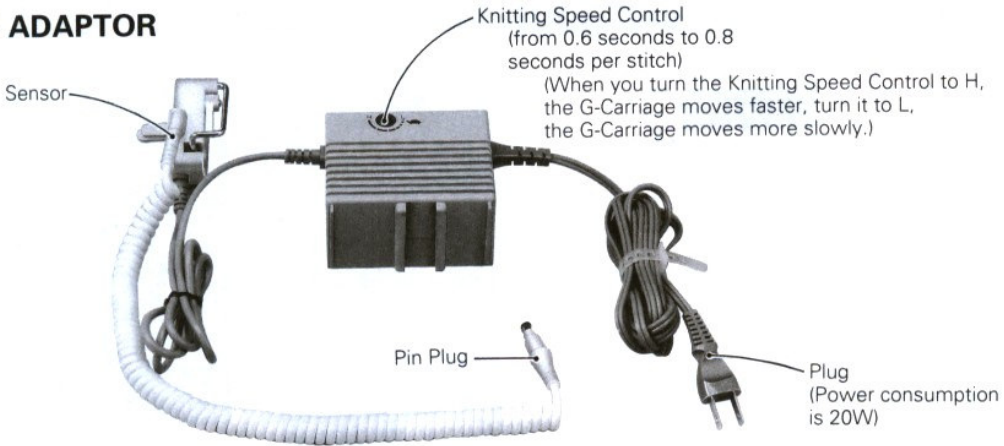
6x6 Rib

# PART NAMES

## ● G-CARRIAGE

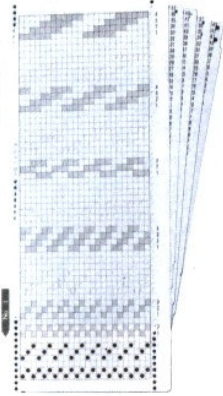


● **ADAPTOR**



● **ACCESSORIES**

Punchcards (5)



Weight (2)  
for increasing  
more than 2 stitches



Spare G-Needle (5)



Double Latchet Tool



G-Point Cams

for 1 stitch  
(1 for right 1 for left)



for 2 stitches  
(2)

for 3 stitches  
(2)



Trippers for KH-893

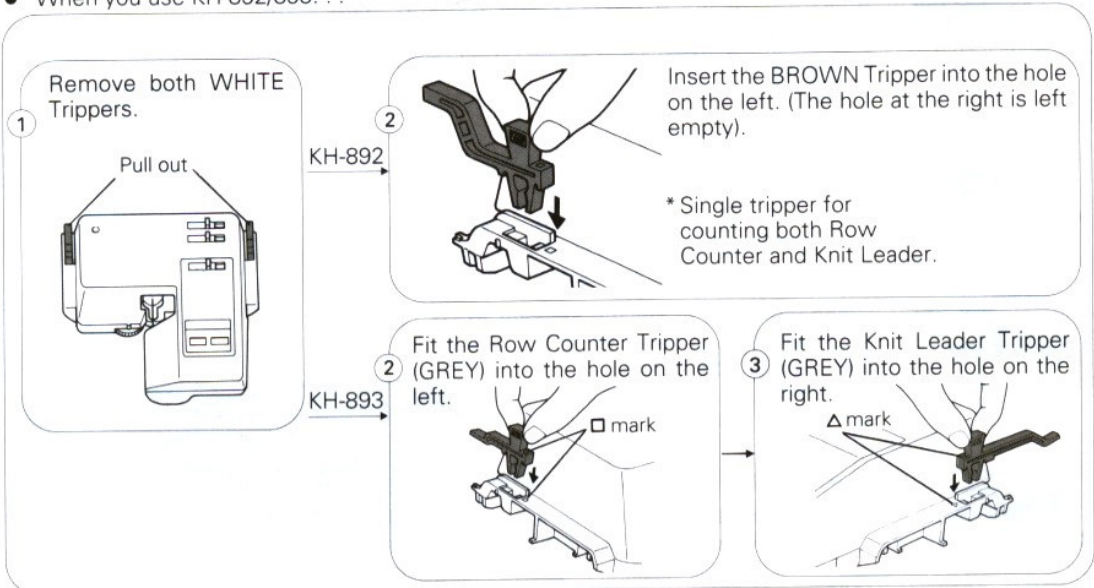


(for Row Counter) (for Knit Leader)

Tripper for KH-892

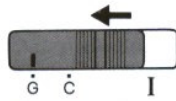


● When you use KH-892/893. . .



# PREPARING TO KNIT

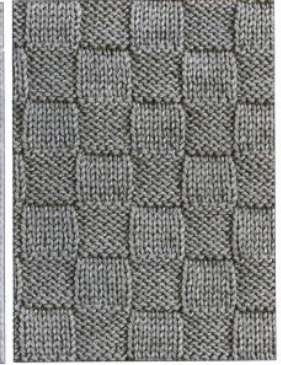
## ● SELECTOR



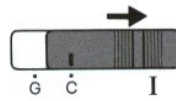
- Use the Selector when knitting Ribs or G-Stitch Pattern Designs.



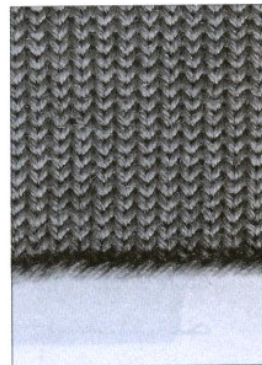
Ribs



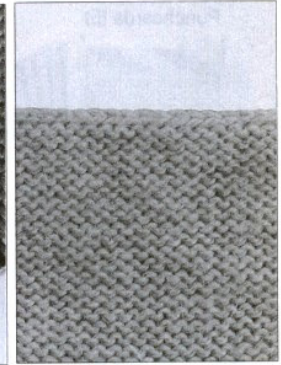
G-Stitch Pattern Designs



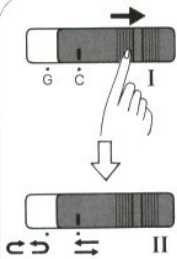
- For Cast-on and Cast-off



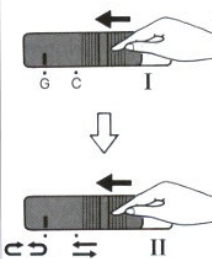
Cast-on



Cast-off



If you switch the Selector to "C" the Automatic Return Lever will switch to the "↔" setting.



When you want to set the Selector to "G" and the Automatic Return Lever to "↔", you must switch them in the order below.

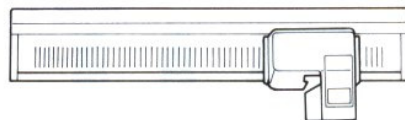
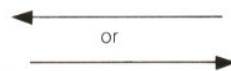
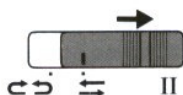
① Selector . . . G

② Automatic Return Lever . . . "↔".

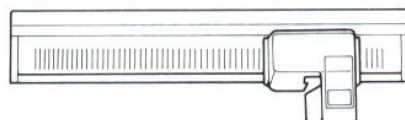
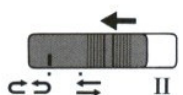
\* If you switch the Automatic Return Lever to "↔" when the Selector is in position "C", the Selector is moved to the left slightly which is not the correct position.



## ● AUTOMATIC RETURN LEVER

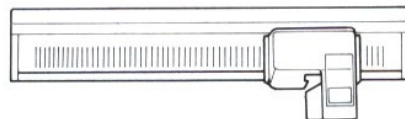
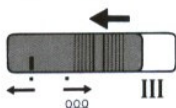


※ When knitting only one row push the Stop Button at the end of that row.

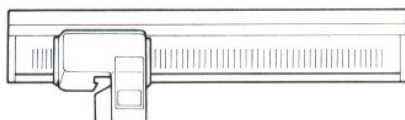
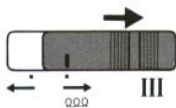


※ The Carriage will move back and forth across the bed automatically until the Row Counter reads 000.

## ● CARRIAGE DIRECTION LEVER



- To operate the G-Carriage to the left.
- To cast-off.

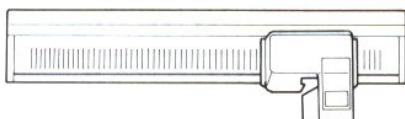


- To operate the G-Carriage to the right.

- To cast-on 000.

The G-Carriage can cast on only from right to left, always place the G-Carriage at the right to cast on.

000

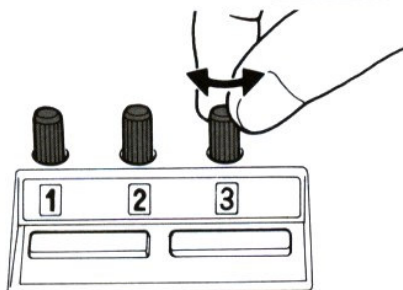


\* To set the Carriage Direction Lever—stop the G-Carriage when it has cleared the edge of the knitting.

\* When the Automatic Return Lever is set at "↔" the Carriage Direction Lever works automatically and displays the direction which the G-Carriage is moving.

\* The Carriage Direction Lever works in conjunction with the Row Counter. The number displayed by the Row Counter decreases as the Carriage Direction Lever changes.

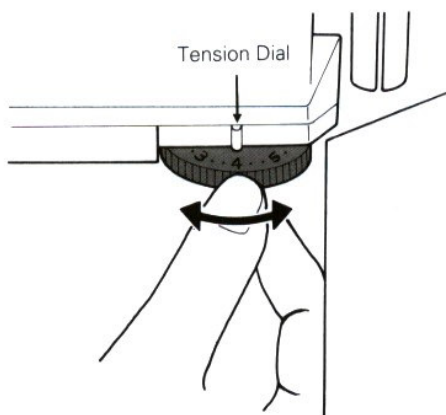
## ● ROW COUNTER



Set the Row Counter to the number of rows you want to knit. The G-Carriage moves across the bed (knitting 1 row). The Row Counter automatically reduce its total by 1. When the Row Counter shows 000 the G-Carriage stops.

\* Should you not want to set the Row Counter for any particular number, set it at a very high one so that it does not stop unexpectedly.

## ● TENSION DIAL

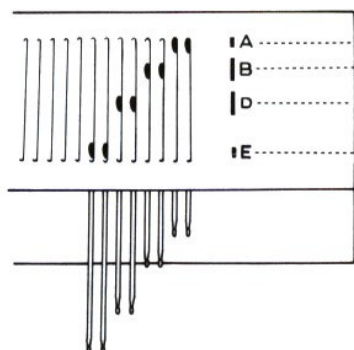


The Tension Dial is different to that of the K-Carriage, the chart below gives a rough guide to tension settings.

YARN	TENSION DIAL	
	CAST-ON, RIB KNITTING	STITCH PATTERN
VERY FINE (2 ply)	1 ~ 2	2 ~ 3
FINE (3 ply)	2 ~ 4	3 ~ 6
MEDIUM (4 ply)	3 ~ 5	5 ~ 8
THICK (5 ply)	6 ~ 8	7 ~ 10
VERY THICK	7 ~ 9	8 ~ 10

**NOTE:** Sometimes thick, fancy yarns, such as tweed and boucle and yarn with no elasticity such as silk, cotton and linen are difficult to knit so take extra care when using these yarns.

## ● NEEDLE POSITION



A ..... Non-working position

B ..... Working position

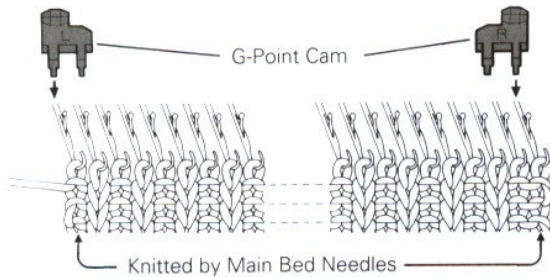
D ..... } You cannot use these positions with the G-Carriage.

E ..... }

### **NOTE:**

Do not use the G-Carriage if there are needles missing from the needlebed.

## ● G-POINT CAM

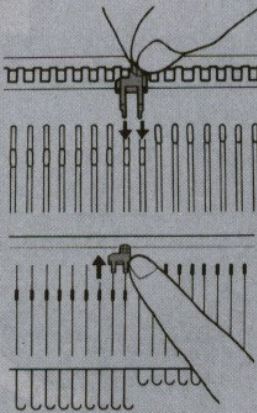


The G-Point Cams override the patterning and are placed at the edge of the knitting so that these stitches are always reversed by the G-Carriage. The result is an even edge that may be used as a finished edge or for seam allowance.

### HOW TO USE THE G-POINT CAM

① Place the catch towards the back of the needlebed and push into the needle tracks.

② Push back and down firmly to fix into position.



- Whenever the black square "■" appears in the stitch pattern design the G-Carriage reverses the stitch when knitting. However wherever you place the G-Point Cam the stitch is not reversed.

- You may use a 1 x G-Point Cam, or a 2 x G-Point Cam or a 3 x G-Point Cam.

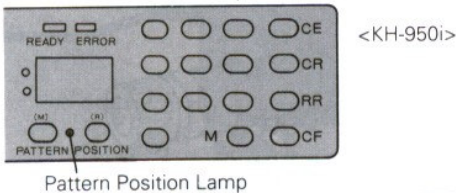
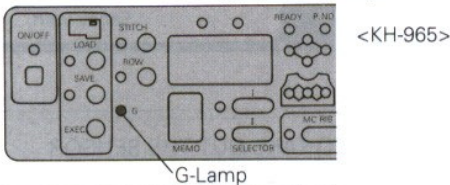
- G-Point Cams may be placed anywhere on the needlebed and next to each other.

- \* Remember to remove the G-Point Cams when you are not using them.

- \* As you increase or decrease stitches transfer the G-Point Cam.

## ● G-LAMP (PATTERN POSITION LAMP)

For Electronic Knitting Machine only. . . .



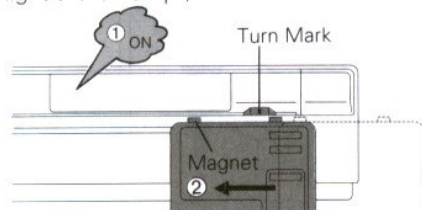
- The G-Lamp shows the machine is ready to work with the G-Carriage. (When you cast off, you turn off the Power switch, so the Lamp does not light up.)

- \* As for the location of G-Lamp, refer to the Instruction Manual of your Electronic Knitting Machine.

- On KH-950i/950, use Pattern Position Lamp instead of G-Lamp.

- Ensure the G-Lamp (or Pattern Position Lamp) is lit before starting to knit (if it is not lit the pattern will not be correct).

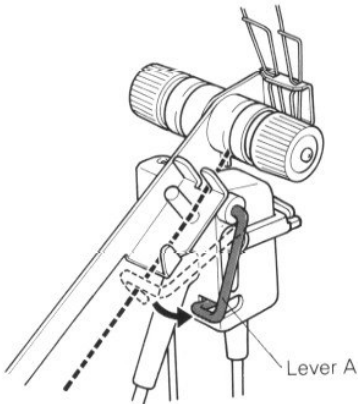
To light the G-Lamp (or Pattern Position Lamp)



① Turn on the power.

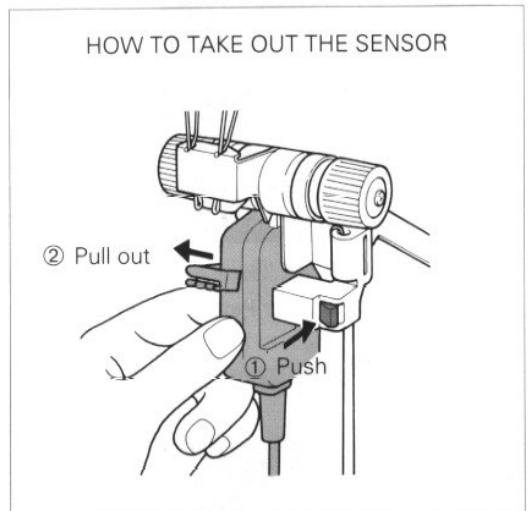
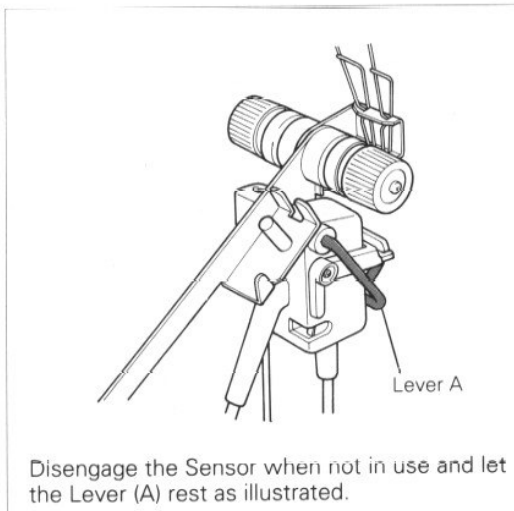
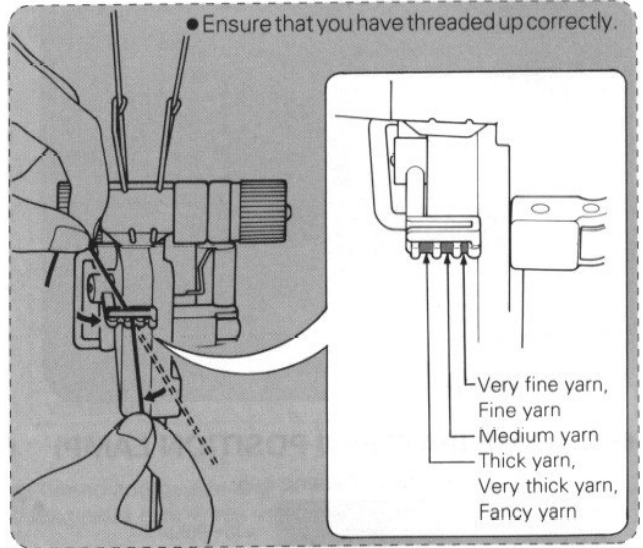
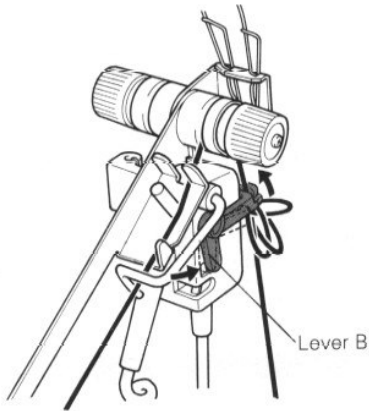
② Place the G-Carriage outside the Turn Mark. When the first Magnet passes the Turn Mark the G-Lamp (or Pattern Position Lamp) lights up.

## ● SENSOR



● Sensor Lever (A) falls when the yarn runs out, the G-Carriage stops automatically.

● Sensor Lever (B) is pushed up when the yarn is knotted or becomes entangled, the G-Carriage stops automatically.

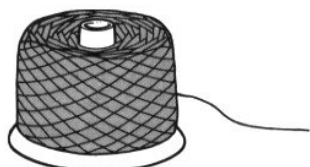


# HOW TO USE THE G-CARRIAGE

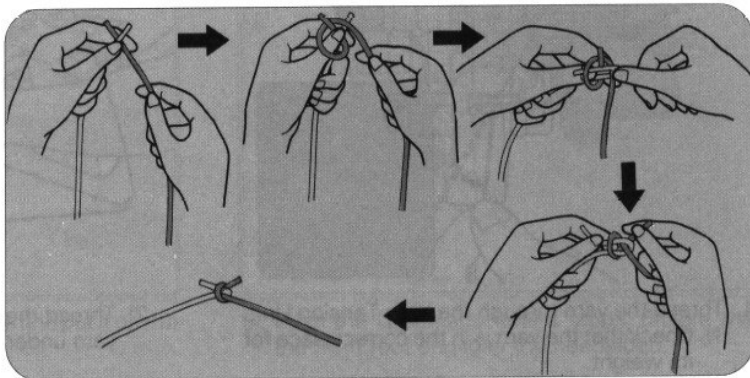
## ● PREPARATION

### Yarn

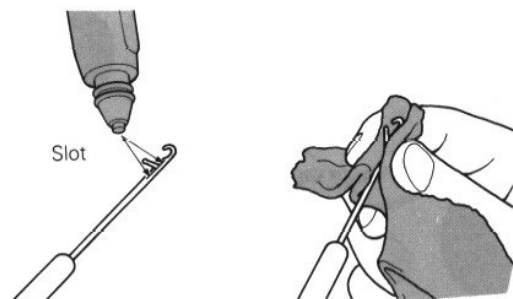
It is recommended to rewind the yarn, as shown below;



※ It is recommended to tie up the yarn as illustrated.

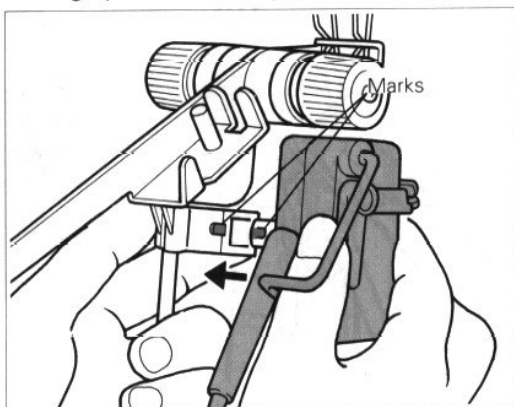


### G-Needle

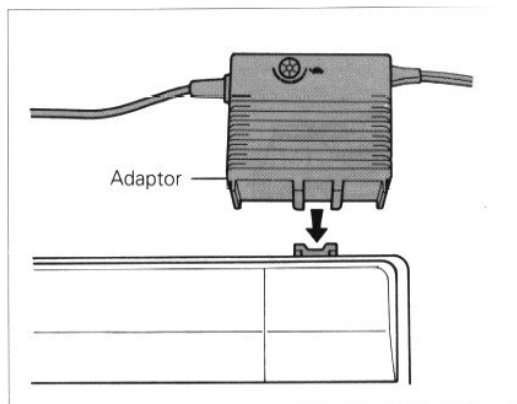


Oil the slot in the stem slightly and wipe off the excess. Check the G-Needle before knitting. (Refer to p. 53.)

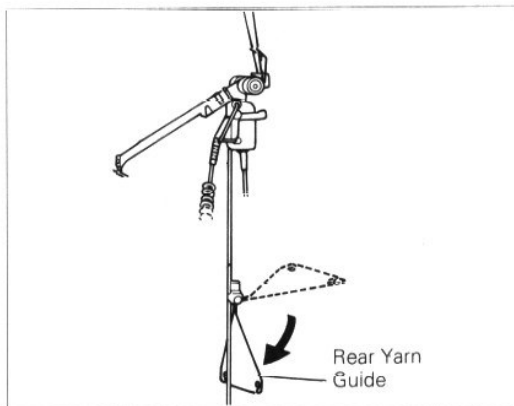
### Setting up Garter Carriage



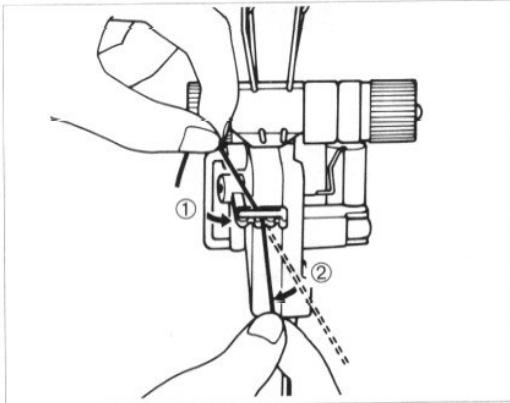
1. Fix the Sensor attached with the Adaptor onto the Yarn Tension Unit setting the marks together.



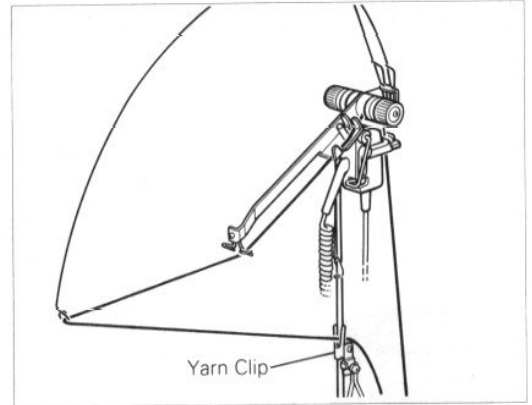
2. Plug the Adaptor into the knitting machine.



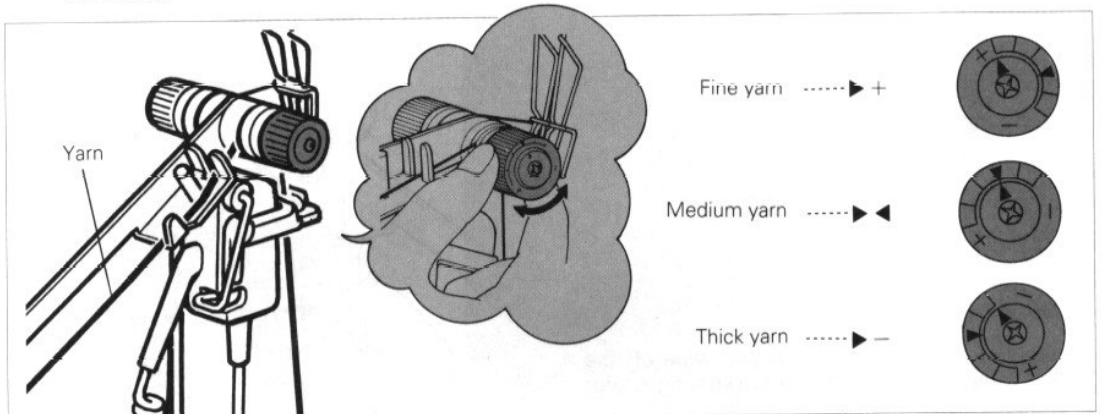
3. Fold down the Rear Yarn Guide.



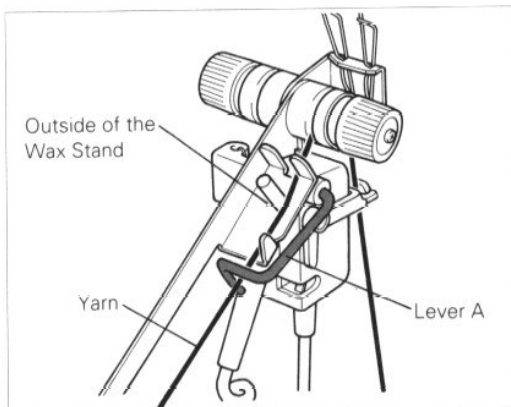
4. Thread the yarn through the Yarn Tension Unit.  
 1) Check that the yarn is in the correct place for its weight.



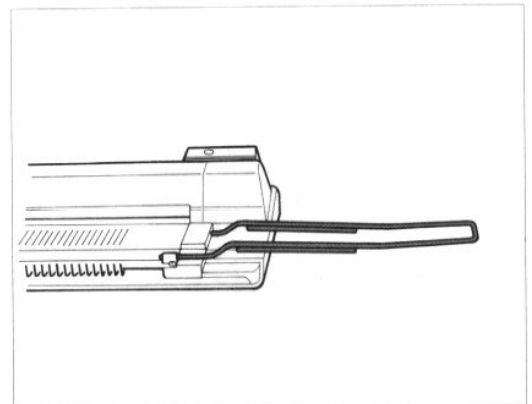
2) Thread the Yarn Tension Unit and place the yarn under the Yarn Clip.



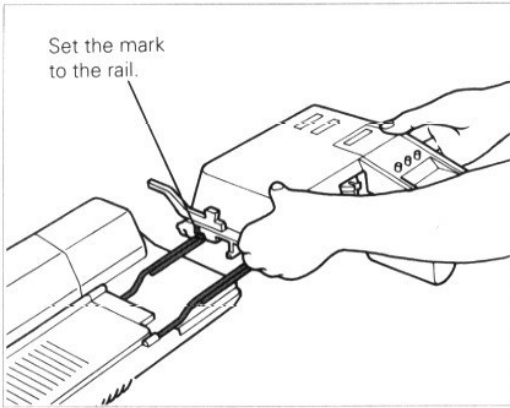
5. Set the arrow mark according to the thickness of the yarn.



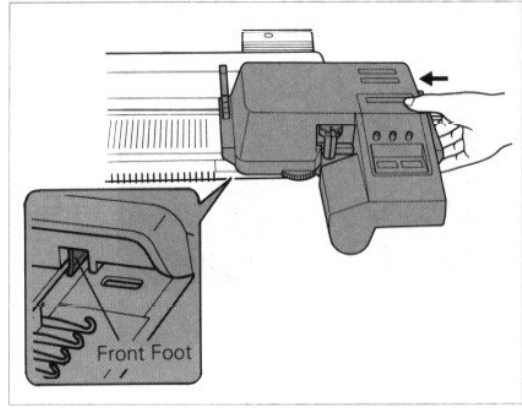
6. Place the Sensor Lever A onto the yarn.



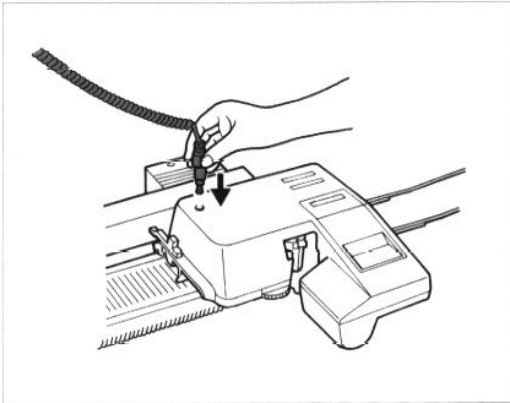
7. Set the Extension Rails at the both sides of the machine.  
 In case the Extension Rails do not come with your knitting machine, they are available optionally.



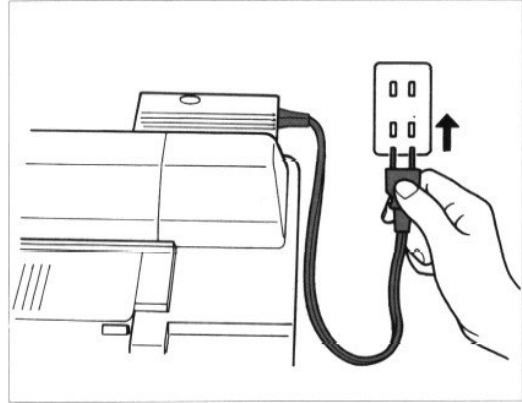
8. Hold each side of the G-Carriage and put it on the right Extension Rail.



9. Push the G-Carriage until it stops. Ensure that the front foot engages the needlebed.



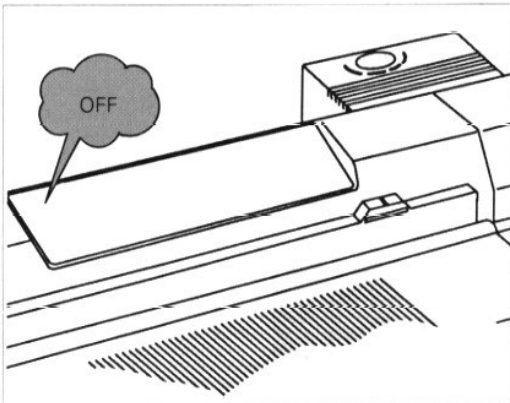
10. Insert the Pin Plug.



11. Plug into the mains power.  
(When you have finished knitting and want to put the machine away, unplug the mains power and then unplug the Pin Plug.)

\* When the G-Carriage is not being used for a few hours, unplug the mains power.

●When you use Electronic Knitting Machine. . . .



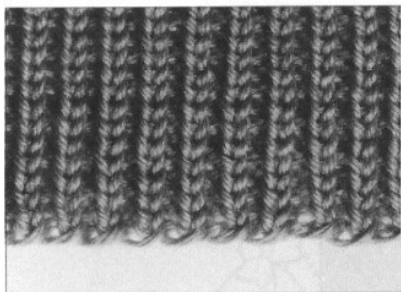
Power switch

	ON	OFF
KH-950i KH-950 KH-940 KH-930	ON .....	OFF .....
KH-965 KH-900		

12. Make sure the power of the knitting machine is OFF.

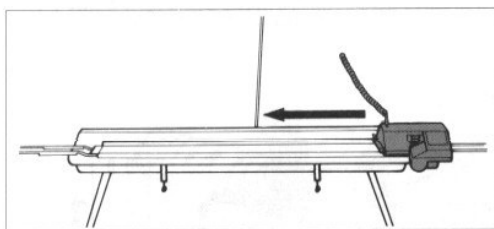
Plug the power cord (or AC adaptor) of the knitting machine into the mains power, then turn power on the knitting machine.

## ● CASTING-ON



The G-Carriage casts on using the 'e' wrap method automatically.

### BEFORE CASTING-ON



1. Always start with the G-Carriage at the right, the G-Carriage can only cast on from right to left.

### ELECTRONIC KNITTING MACHINE

2. <When using KH-965/940/930>

Push the Memo Key to light the Memo Lamp.



<When using KH-900>

Push the INPUT Key to light the INPUT Lamp.



<When using KH-950i/950>

Mode 990 → M Key → M key

→ Pattern No. - 901 → M Key

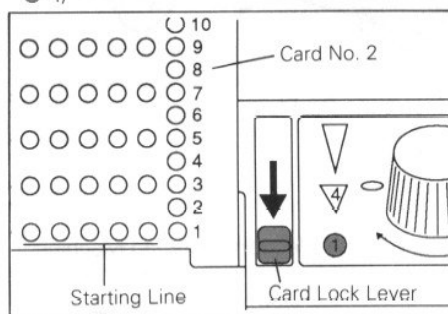
Push M Key repeatedly until ready lamp is lit. Then push RR Key. (If a pattern card is in the machine it will go back to the set line.)



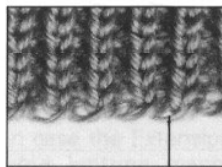
(The G-Carriage casts on over the needles represented by the blank (white) squares "□" in the stitch pattern design.) By setting above, you can cast on over all the needles, regardless of the stitch design.

### PUNCHCARD KNITTING MACHINE

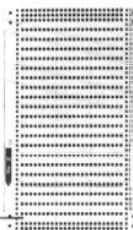
2. Insert punchcard No. 2 and lock on row 1. (Row 1 is at Starting Line and Card Lock Lever is at "●".)



- The stitches which correspond to the holes in your punchcard will be knitted with the G-Needle. All other stitches will be knitted by main bed needles. Casting on is done on the main bed needles, so when you want to cast on, you must use a row on the card where there are no holes punched.

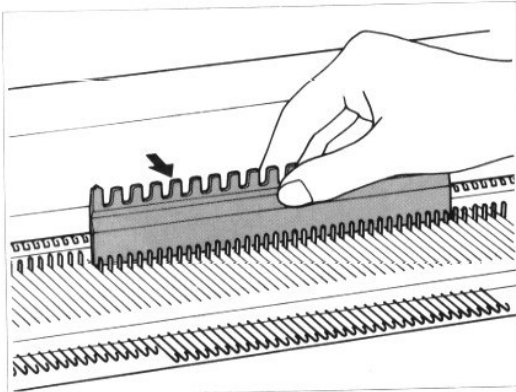


Casting-on by the main bed needles

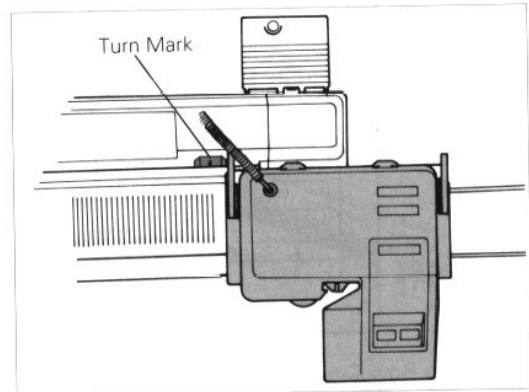




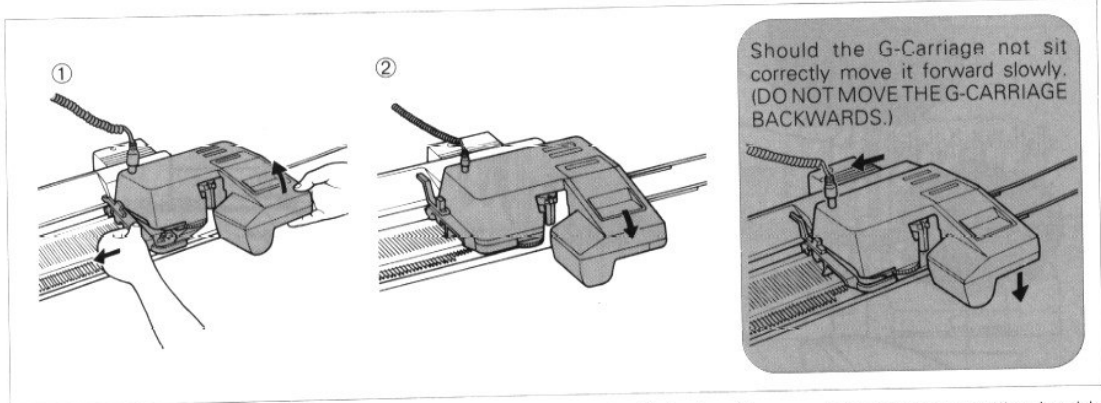
## LET'S CAST-ON



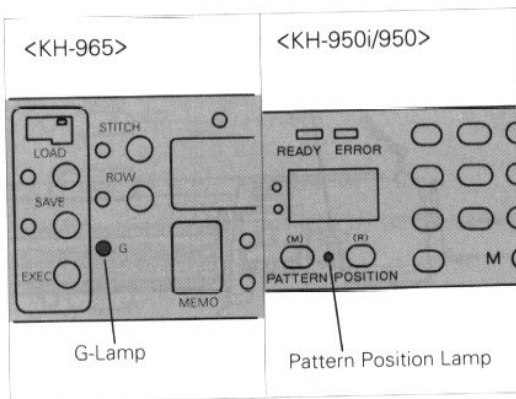
1. Push needles to B position (working position).



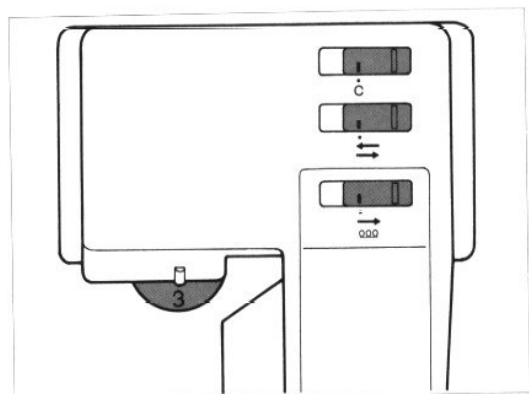
2. When you use Electronic knitting machine, Ensure that the G-Carriage is outside the right Turn Mark.



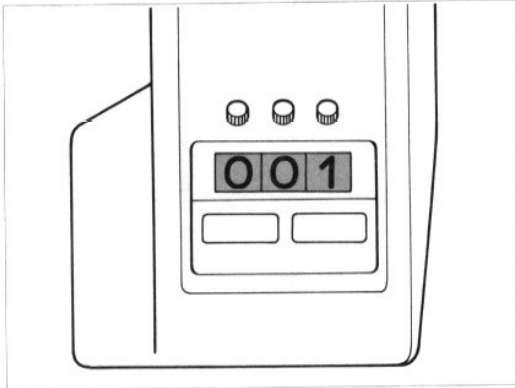
3. Move the G-Carriage to the edge of the knitting needles by lifting it with your right hand and pulling it with your left hand.



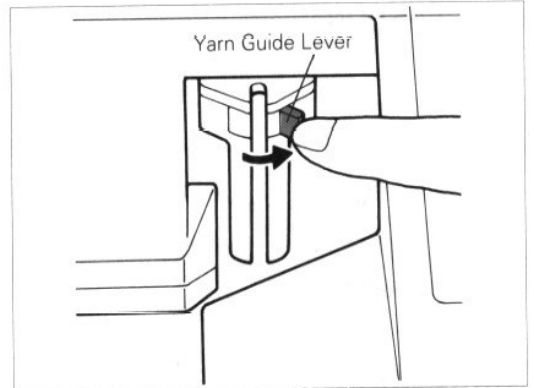
4. When you use Electronic knitting machine, ensure that the G-Lamp or Pattern Position Lamp is lit. (The lamp lights up when the G-Carriage passes the Turn Mark.) Refer to page 8.



5. Set the Levers as shown in the illustration and the Tension Dial according to the yarn you are using. (Refer to page 7.)



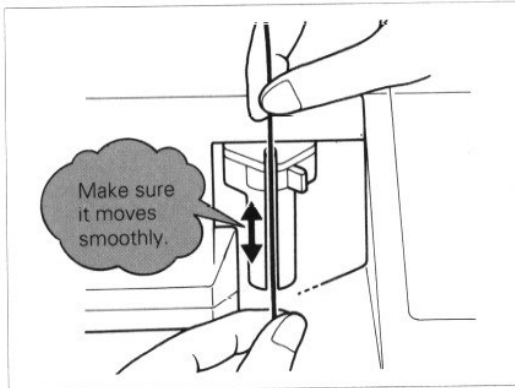
6. Set the Row Counter to 001.



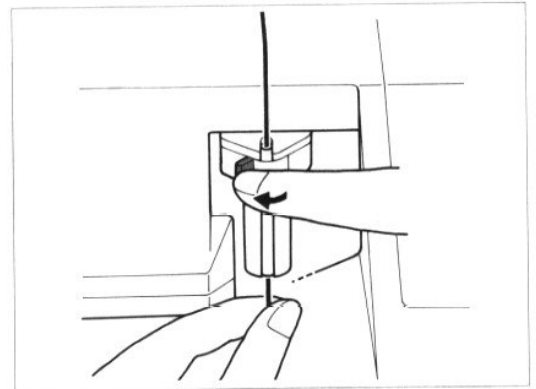
7. Thread the Yarn Guide with the yarn.

1) Open the Yarn Guide Lever.

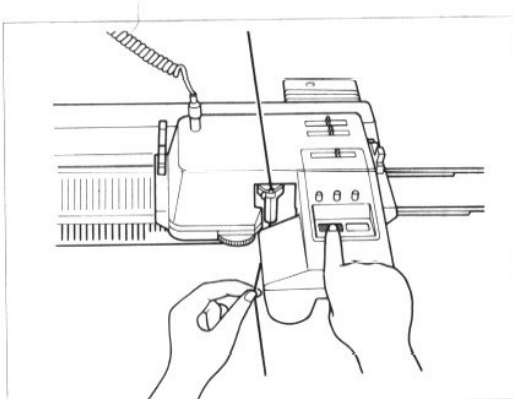
\*Should it be difficult to thread the Yarn Guide because the Yarn Guide is on the right side move the Yarn Guide to the left by pushing the Start Button and then the Stop Button.



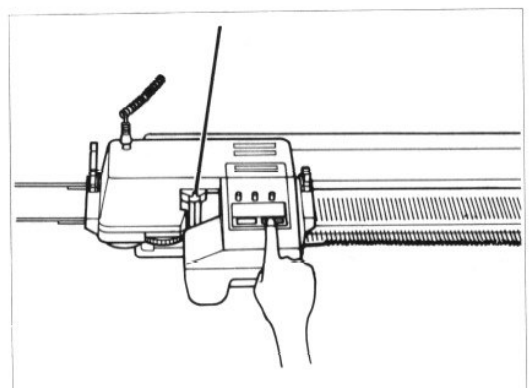
2) Thread the yarn and ensure that it moves smoothly.



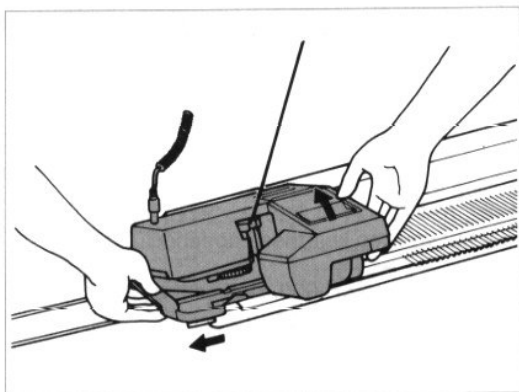
3) Close the Lever.



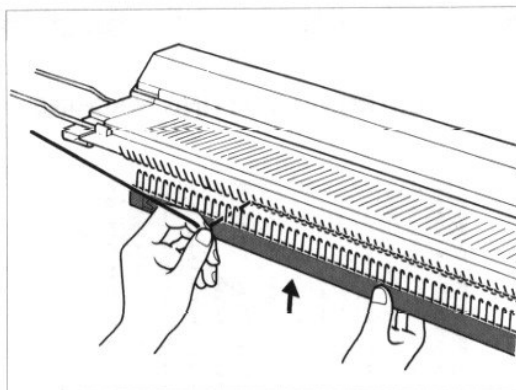
8. Holding the end of the yarn, push the Start Button. (Once the needles catch the yarn you may release it.)



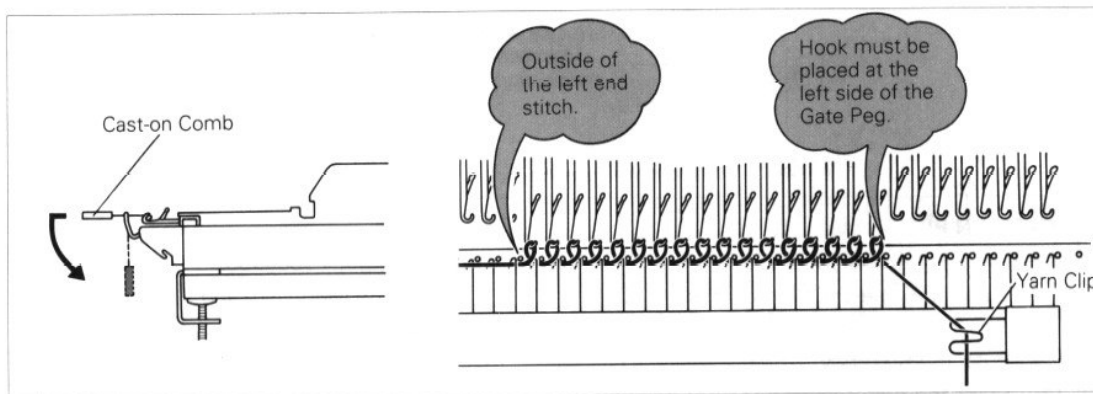
9. Once the G-Carriage has completed the automatic cast-on push the Stop Button.



10. In order to hang the Cast-on Comb move the G-Carriage to the left by lifting and then pulling it away from the edge of knitting.



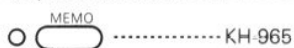
11. Hold the Cast-on Comb with the hooks facing towards the machine, and pull the yarn end through the Comb.



12. Now hang the Cast-on Comb as shown in the illustration, and hook the yarn end into the Yarn Clip.

●When you use Electronic Knitting Machine. . .

\* When using KH-965/940/930 push the Memo Key to turn off the Memo Lamp.



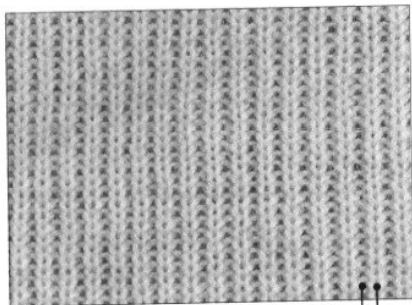
\* When using KH-900, push INPUT Key to turn off the INPUT Lamp.



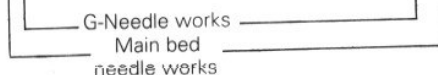
\* When using KH-950i/950, you don't have to do anything.

## ● RIB KNITTING

### ELECTRONIC KNITTING MACHINE



No. 532



- By using the pattern No. 532 (1 x 1 rib), 533 (2 x 1 rib), 534 (2 x 2 rib), 535 (3 x 3 rib) and 536 (4 x 4 rib) you can knit these rib fabrics.

- ♣ When you use KH-900, choose the pattern No. 41, 42, 43, 44 and 45.

#### PATTERN PROGRAM

<When using KH-965/940/930>

- 1 Turn off all the Variation Lamps.
- 2 Turn on the Selector (1) Lamp.
- 3 Push the Step Key.
- 4 Enter the pattern No. 532 after deleting the number by the CE Key.
- 5 Push the Step Key.
- 6 Push the Step Key.
- 7 When you use KH-965, push the STEP Key once again.

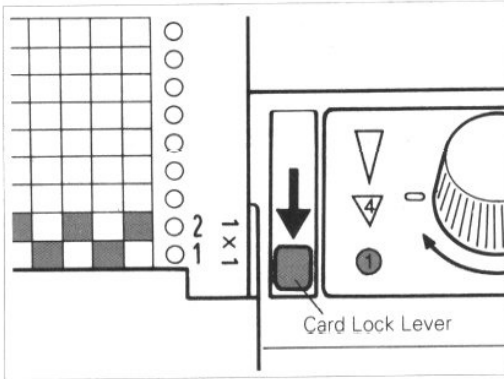
<When using KH-950i/950>

- 1 Enter the Mode No. 990.
- 2 Push the M Key.
- 3 Set all Pattern Variation Switches to the lower position.
- 4 Set the Pattern Selector Switch to the lower position.
- 5 Push the M Key.
- 6 Enter the Pattern No. 532.
- 7 Push the M Key.
- 8 Push the CF Key.

<When using KH-900>

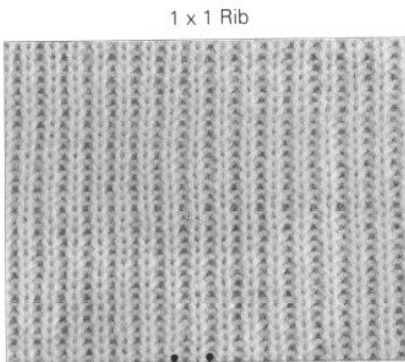
- 1 Turn off all the Variation Lamps.
- 2 Turn on the PATTERN No. Lamp.
- 3 Choose the pattern No. 41, with the UP/DOWN Key.
- 4 Turn off the PATTERN No. Lamp.
- 5 Turn on the POSITION Lamp.
- 6 Choose the pattern position, L1 (yellow), with the UP/DOWN key.
- 7 Turn off the POSITION Lamp.

# PUNCHCARD KNITTING MACHINE



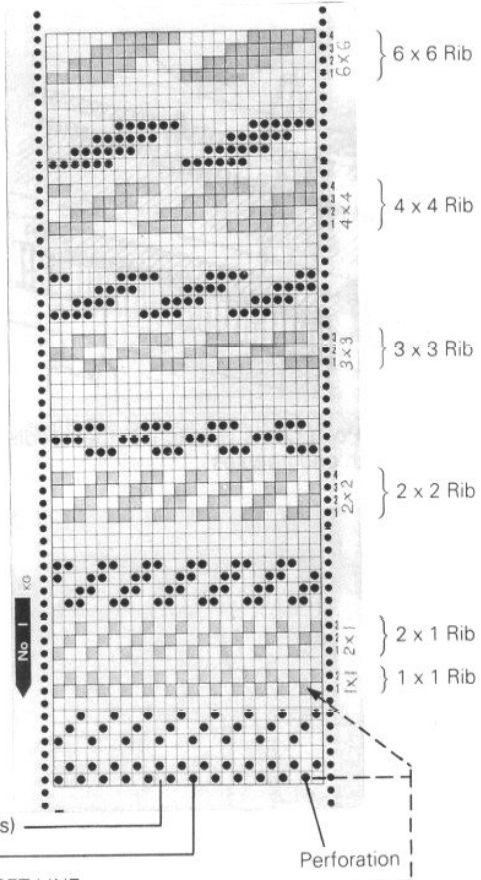
Insert punchcard No. 1 and lock on the 1st row of 1 x 1 rib.  
(Card Lock Lever to "●" mark.)

## ● PUNCHCARD



1 x 1 Rib

Main bed  
needle works (no holes)  
G-Needle works  
(holes punched)



SET LINE

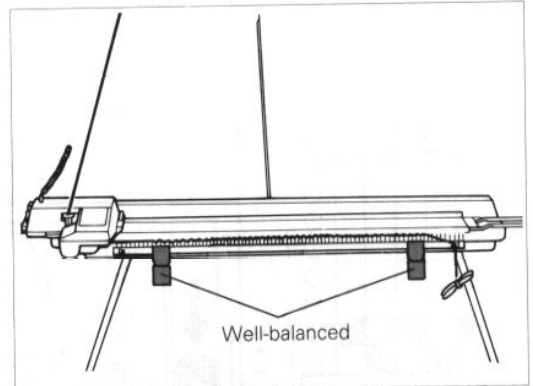
To begin at row 1 on the card, you should set the card at this line. (Note that it is 7 rows up from the bottom of the card.)

■ These marks correspond to the punched holes.

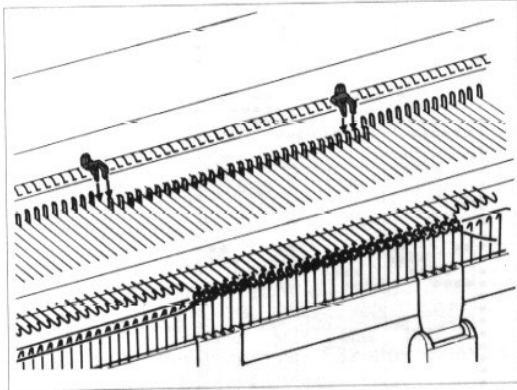
Set the card to whichever type or rib you want to knit.

## LET'S START KNITTING

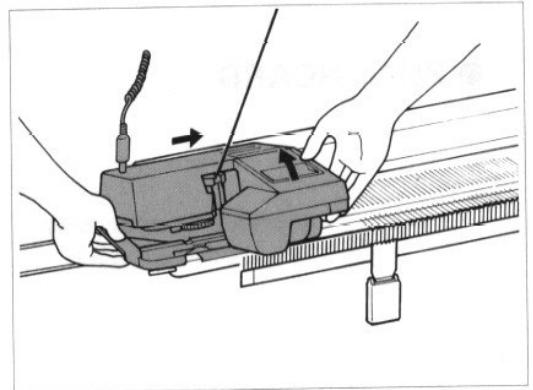
The illustration shows the G-Carriage at the left side of the machine.



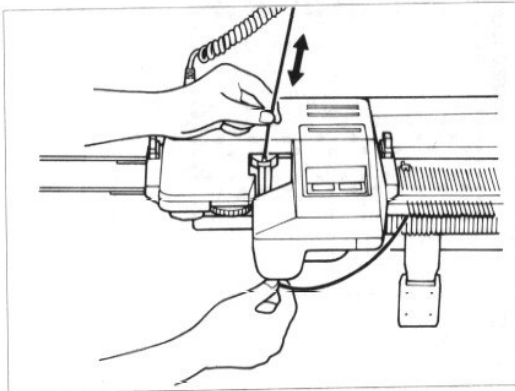
1. Hang the Claw weights on the Cast-on Comb.  
\* Do not hang the Claw weights directly onto the knitting switch.



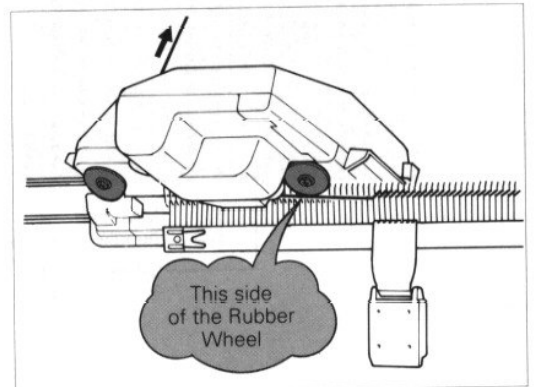
2. Place the G-Point Cams (1 stitch) in the needle tracks of both end needles.



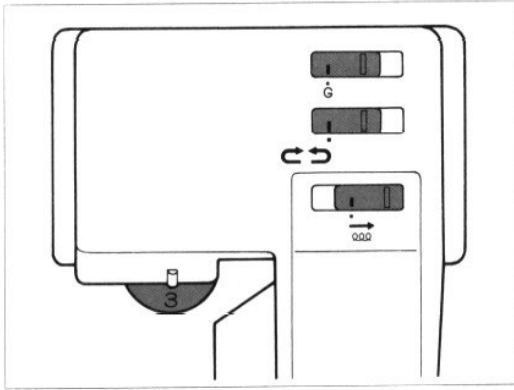
3. Hold the front part of the G-Carriage up and move it to the left edge of the knitting switch by pushing it with your left hand.  
When you use Electronic knitting machine, make sure the G-Lamp (or Pattern Position Lamp) is on.



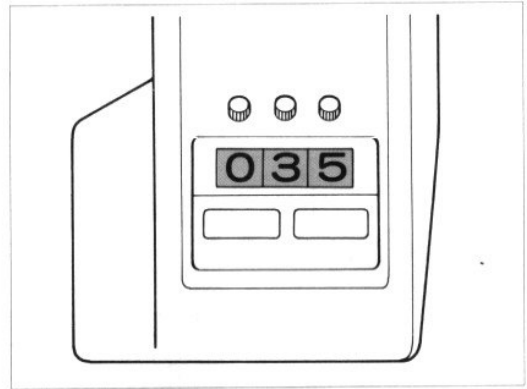
4. Check that the yarn is not caught by the hook of the Cast-on Comb and moves smoothly in the Yarn Guide.



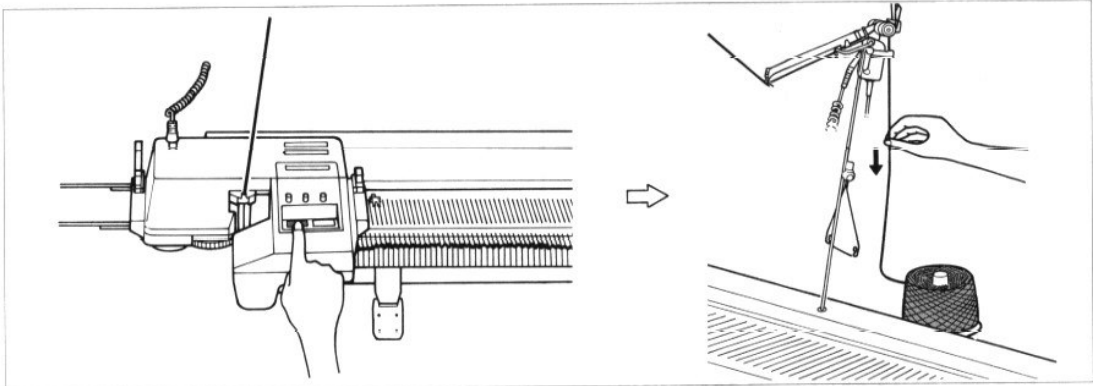
5. Pass the yarn over this side of the Rubber wheel pulling it up slightly.



6. Set the Levers as illustrated and the Tension Dial according to the yarn being used. (Refer to page 7.)



7. Set the Row Counter to the number of rows you want to knit (for example 35 rows).  
\* Moving the Carriage Direction Lever alters the Row Counter.



8. Push the Start Button. Then, pull the yarn from underneath the Sensor until the first stitch is knitted.

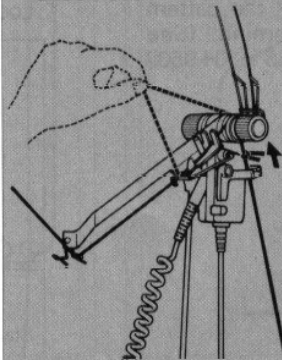
The G-Carriage will knit in rib for 35 rows and then stop automatically when the Row Counter shows 000.



9. When you use Punchcard knitting machine, remove the punchcard.

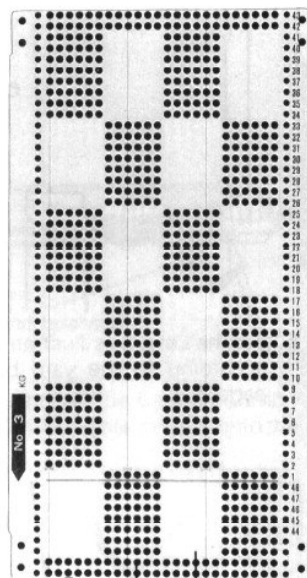
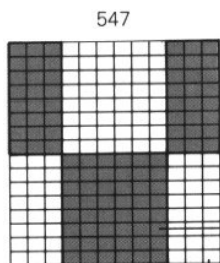
**NOTE**

● **WHENEVER YOU PUSH THE START BUTTON. . .**  
In order to keep the tension even pull the yarn from underneath the Sensor until the first stitch is knitted.



● If there is a knot in the yarn the Sensor will stop the G-Carriage. Pull out the knot and ensure that the yarn will continue to run through the machine smoothly then push the Start Button.

## ● G-STITCH PATTERN DESIGNS



You can knit a variety of G-Stitch pattern designs from your pattern book, or you can enter your own G-Stitch designs. (On KH-900, choose pattern No. 50.)

G-Needle makes the stitch  
KH Needle makes the stitch

G-Needle makes the stitch  
KH Needle makes the stitch

### ELECTRONIC KNITTING MACHINE

#### PATTERN PROGRAM

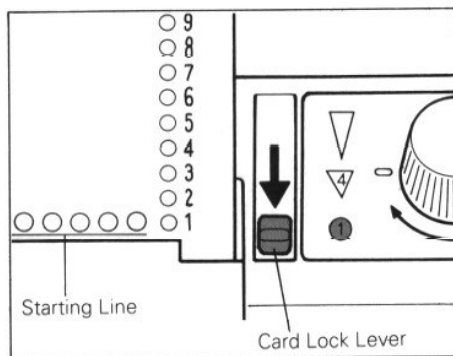
Follow the steps on page 17. (Choose the pattern No. from your pattern book.)

When you use KH-950i/950 and knit your original pattern, using pattern card, set the pattern card before pattern programming. (See MAKING YOUR OWN PATTERNS in KH-950i/950 instruction book.)

### PUNCHCARD KNITTING MACHINE

Insert a punchcard for a G-stitch pattern (example Card No. 3):

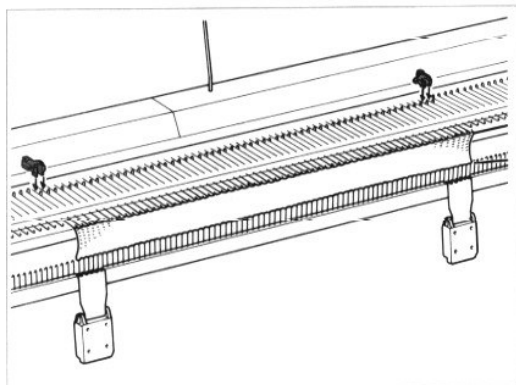
- 1) Clip both ends of the card together using the card snaps.
- 2) Set the card at the Starting Line and the Card Lock Lever at "●" mark.



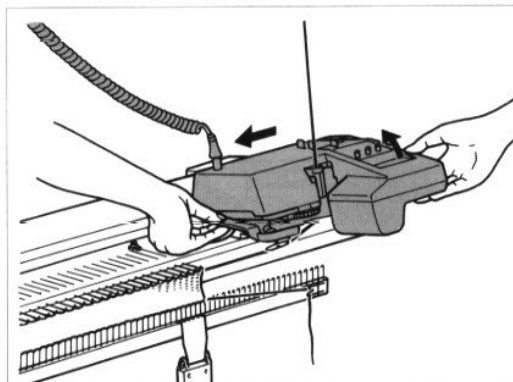


## LET'S START KNITTING

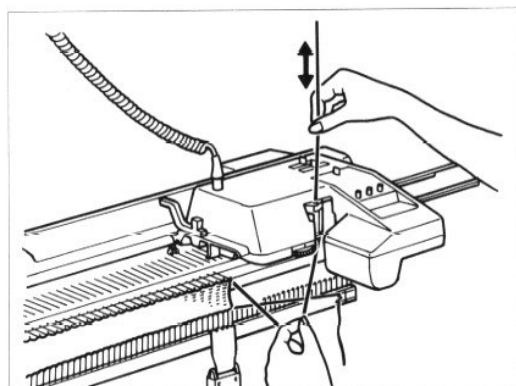
The illustration shows the G-Carriage at the right of the machine.



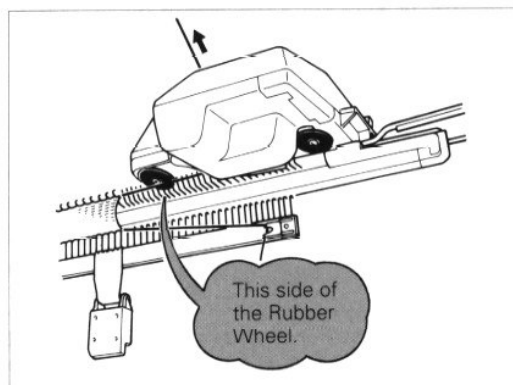
1. Hang the Claw Weights on the Cast-on Comb, place the G-Point Cams (for 1 stitch) in the needle tracks of the end needles.



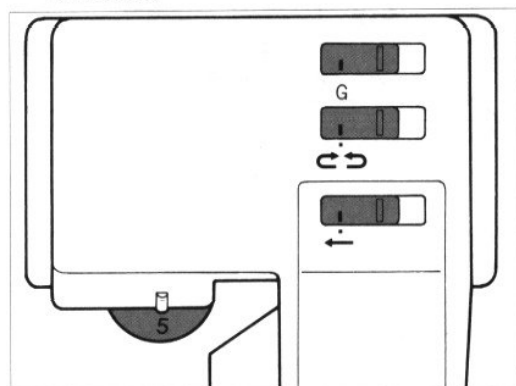
2. Lift the front of the G-Carriage and move it to the right edge of the swatch by pulling it with your left hand. When you use Electronic knitting machine, ensure that the G-Lamp (or Pattern Position Lamp) is lit.



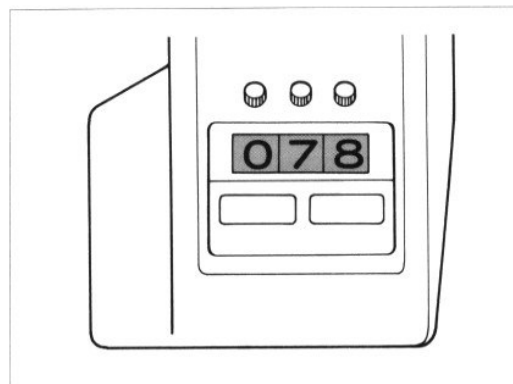
3. Check that the yarn is not caught by the hook of the Cast-on Comb and moves smoothly in the Yarn Guide.



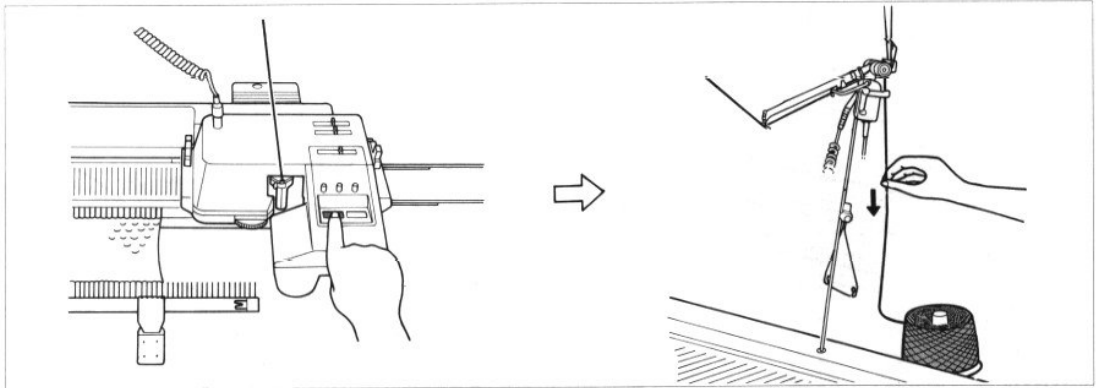
4. Pass the yarn over this side of the Rubber Wheel pulling it up slightly.



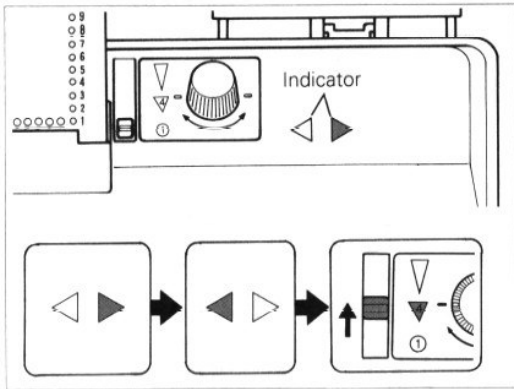
5. Set the Levers as shown in the figure and the Tension Dial according to the yarn. (Refer to page 7.)



6. Set the Row Counter to the required number of rows (for example 78).



7. Push the Start Button. Then pull the yarn from underneath the Sensor until the first stitch is knitted.



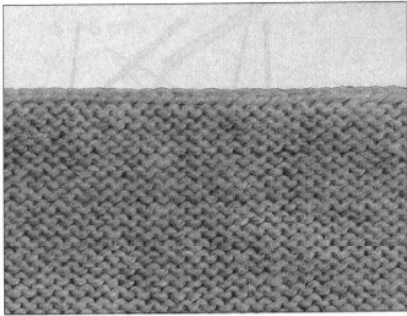
8. When you use Punchcard knitting machine, set the Card Lock Lever at the "▼" mark when the Indicator shows the same direction as the moving carriage.

The G-Carriage knits the G-Stitch pattern design for 78 rows and stops when the Row Counter reads 000.



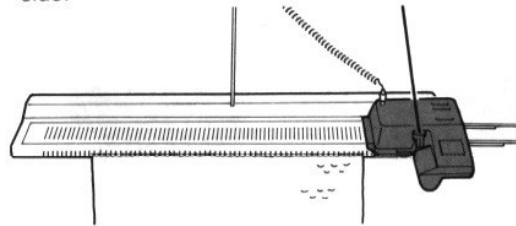
9. When you use Punchcard knitting machine, remove the punchcard.

## ● CASTING-OFF



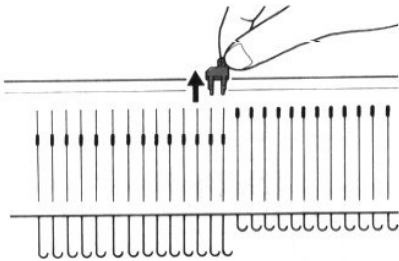
### BEFORE CASTING-OFF

- Be sure to place the G-Carriage at the right hand side.



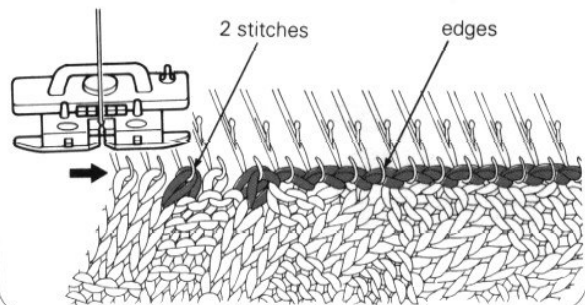
※ G-Carriage can cast-off only from right to left.

- Remove the G-Point Cams when casting-off.



**In case you have 2 stitches in one needle, or pick up the edges. . . .**

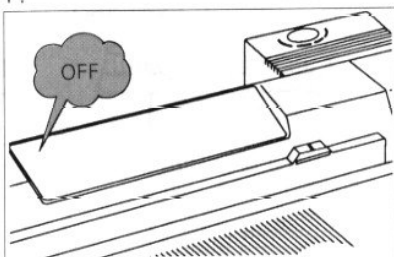
It is recommended to knit one row, with K carriage, before casting-off.



### ELECTRONIC KNITTING MACHINE

Turn off the Power switch.

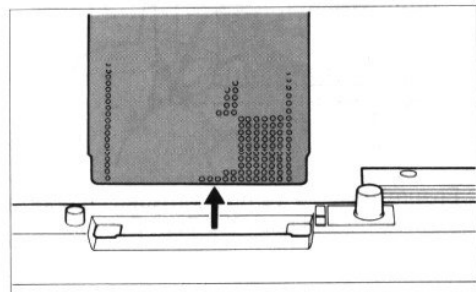
\* Check that the Power is OFF. If the power is on the G-Carriage will only cast-off black squares. REMEMBER TO TURN THE POWER OFF TO CAST-OFF.



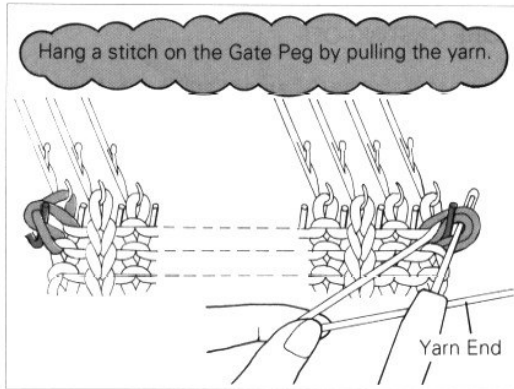
### PUNCHCARD KNITTING MACHINE

Take out the Punchcard.

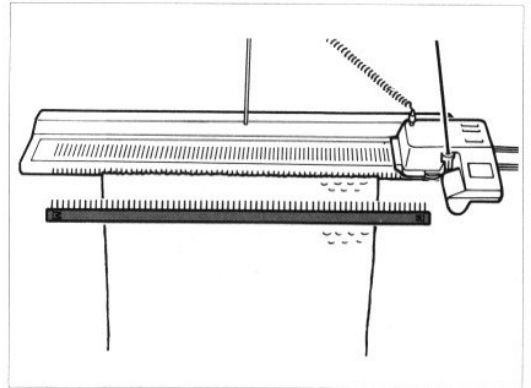
\* If you do not take it out, the G-Carriage will only cast-off the punched holes.



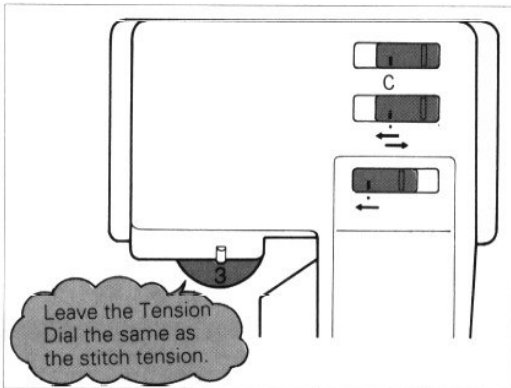
## LET'S CAST-OFF



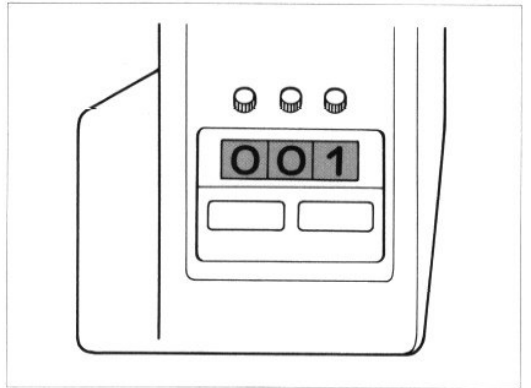
1. Pick up the under stitches of both end stitches and hang them onto the Gate Pegs as shown in the figure. (This is to prevent the knitting swatch from curling when casting-off.)



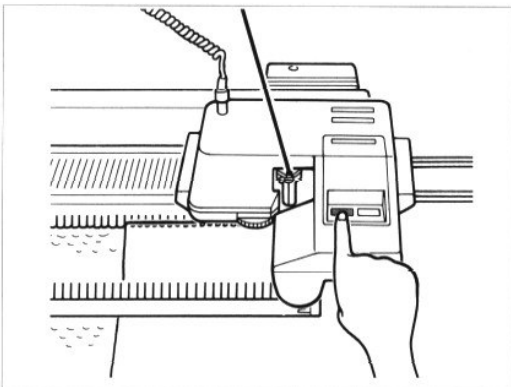
2. Hang the Cast-on Comb about 5 cm from the Gate Pegs. (Take off the Claw Weights.)



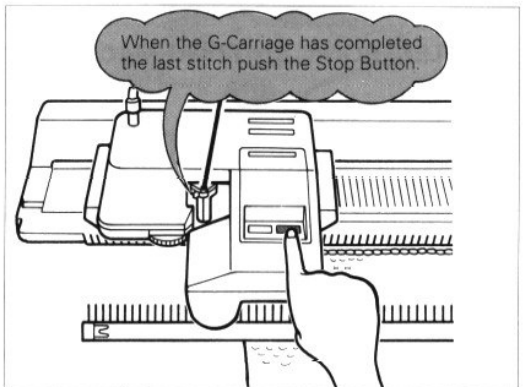
3. Set the Levers as shown in the figure.



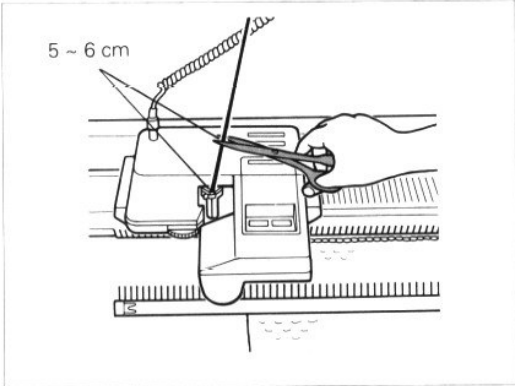
4. Set the Row Counter to 001.



5. Ensure that the yarn is threaded through the Yarn Guide and push the Start Button.

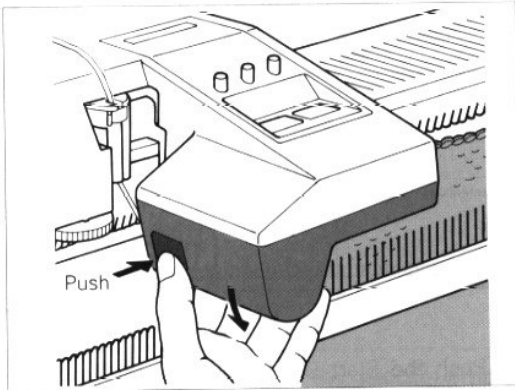


6. Push the Stop Button after the G-Carriage has completed the cast-off.

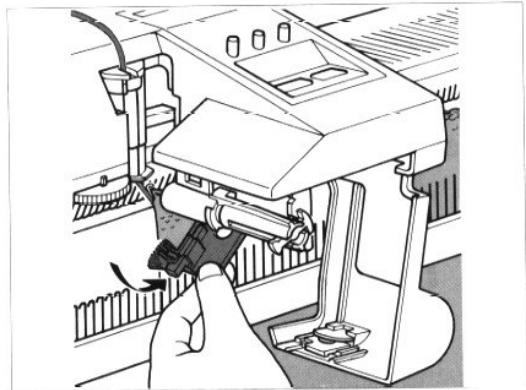


7. Cut the yarn.

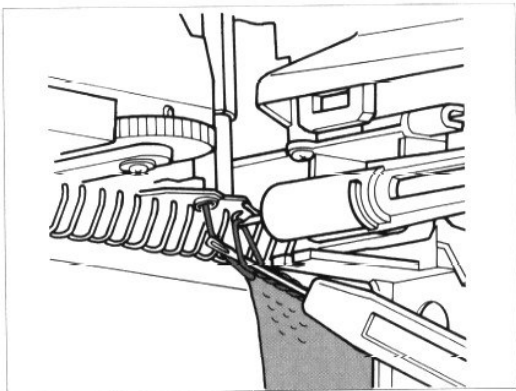
8. Take off the knitting switch.



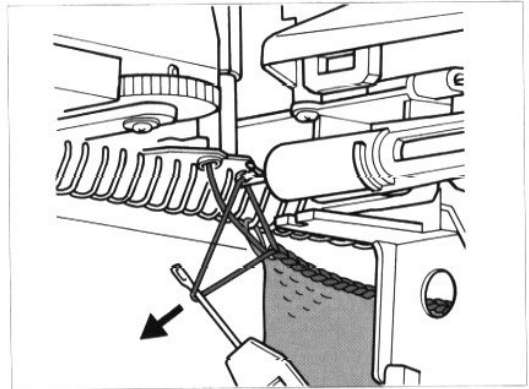
1) Push the Cover Button and open the Lower Cover.

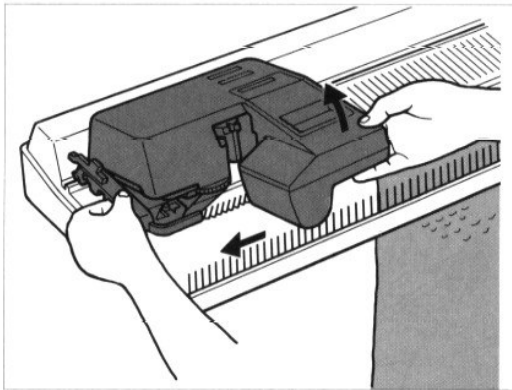


2) Pull down the Sinker Plate.

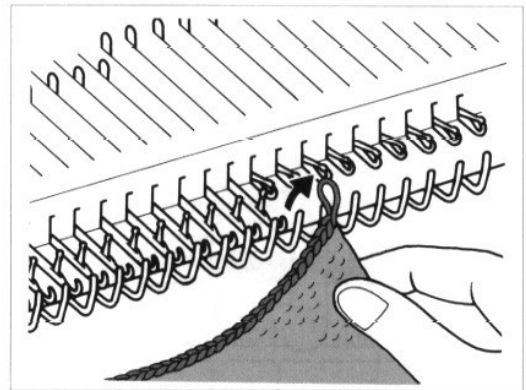


3) Put the Transfer Tool into the stitch on the G-Needle and pull out the yarn.



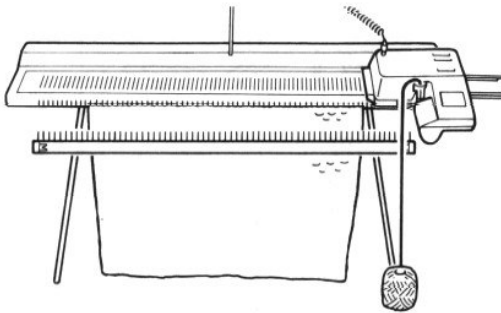


- 4) Close the Lower Cover and move it to the left side by pulling up the front part of the G-Carriage.

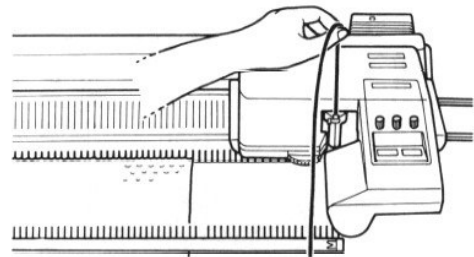


- 5) Take off the Cast-on Comb and remove both the end stitches on the Gate Pegs.

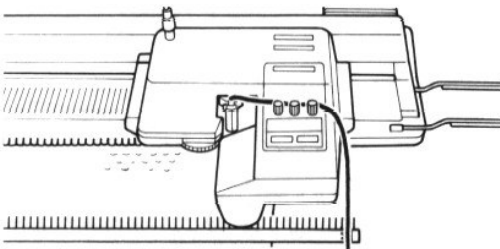
## WHEN YOU WANT TO MAKE A LOOSE CAST-OFF



1. Take the yarn out of the Yarn Tension Unit and place it at your feet. Refer to p. 9 and set the Sensor Lever A at the back.



2. Push the Start Button and pull the yarn slightly.

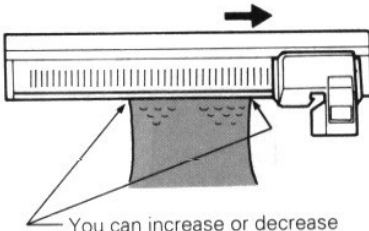


3. After a few stitches have been cast-off place the yarn behind the knobs of the Row Counter.

# BASIC TECHNIQUES

## ● INCREASING/DECREASING

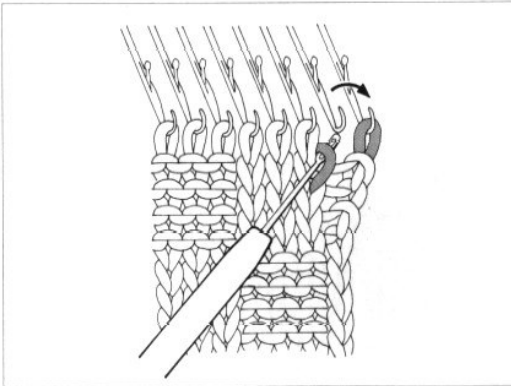
### INCREASING/DECREASING ONE STITCH



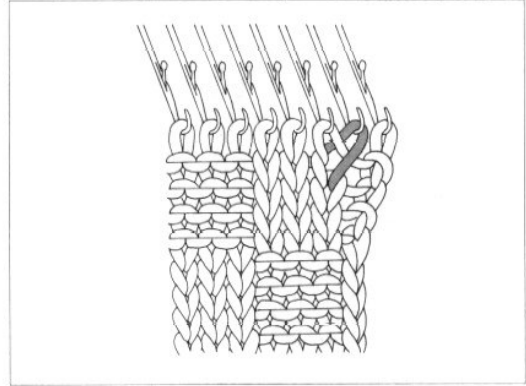
You can increase or decrease a stitch on both sides of the machine.

As you increase or decrease stitches move the G-Point Cam.

### INCREASING

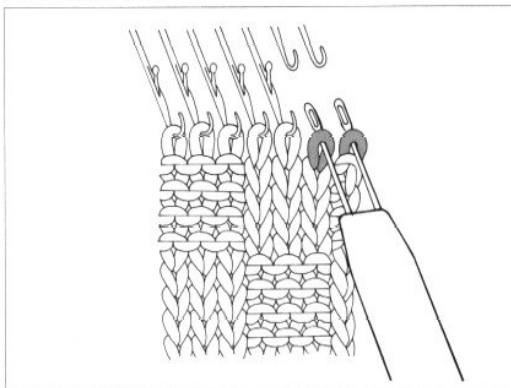


1. Transfer the end stitch to the adjacent empty needle. Then pick up the loop below the 2nd end stitch as shown in the illustration.

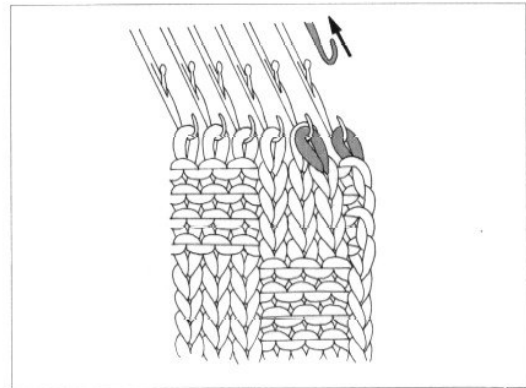


2. Hook the loop onto the empty needle.

### DECREASING



1. Pick up the end two stitches on the Transfer Tool.

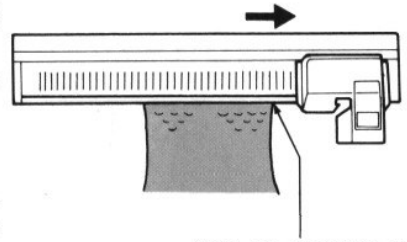


2. Transfer the two stitches one needle inside of the knitting swatch and push back the empty needle to A position.

## INCREASING/DECREASING MORE THAN TWO STITCHES

### Before increasing or decreasing .....

1. While the G-Carriage is knitting the row on which you wish to increase or decrease switch the Automatic Return Lever to "↔".
2. When the G-Carriage has cleared the knitting push the Stop Button.

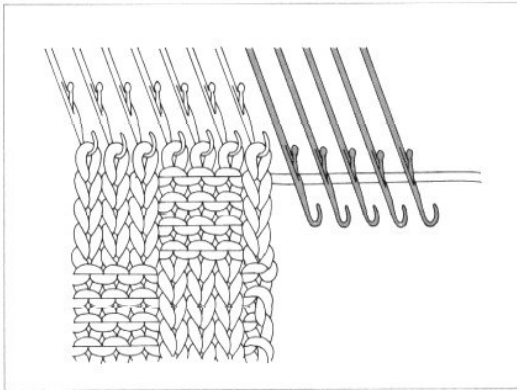


You can increase or decrease stitches on G-Carriage side.

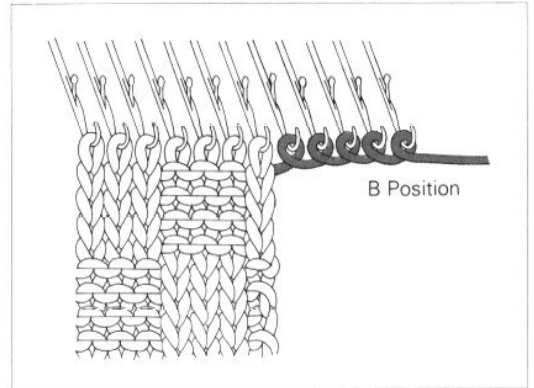
### To knit the next row .....

1. Now increase or decrease. Switch the Automatic Return Lever to "C" and set the G-Carriage Direction Lever to the correct direction.
2. Push the Start Button.

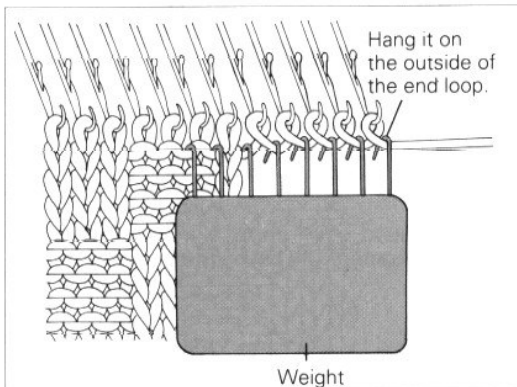
## INCREASING



1. Bring forward the amount of needles to be increased to D position and open the latches.



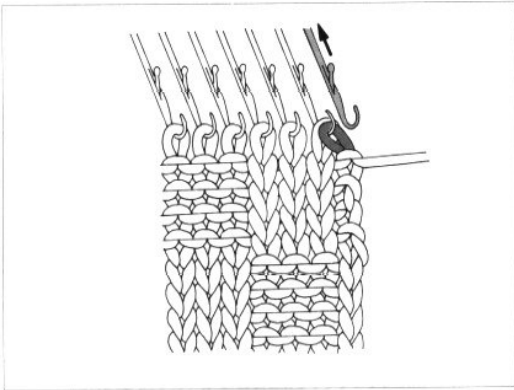
2. Wind the yarn in the hook loosely and align the needles in B position.



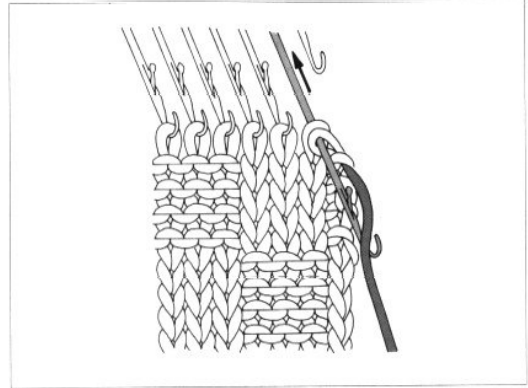
3. Hang the weight onto the loops as illustrated.



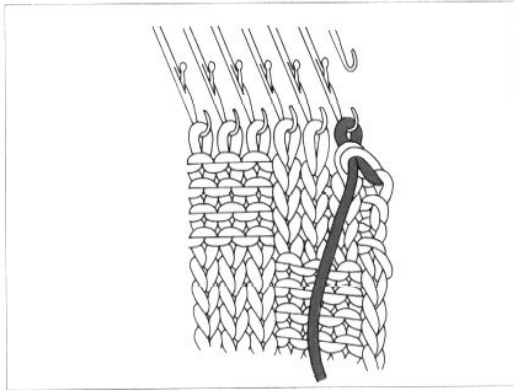
## DECREASING



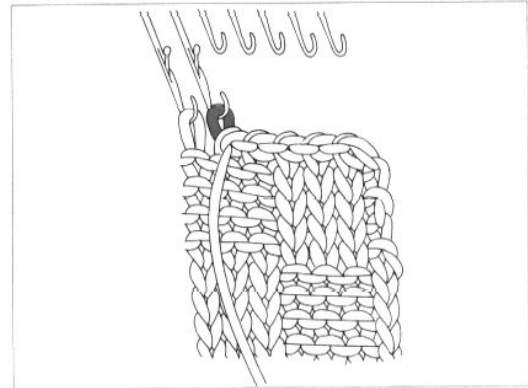
1. Hook the end stitch onto the adjacent needle and push back the empty needle to A position.



2. Put the end two stitches on the stem by bringing the needle to E position. After hooking the yarn push it back to B position to form a new stitch.



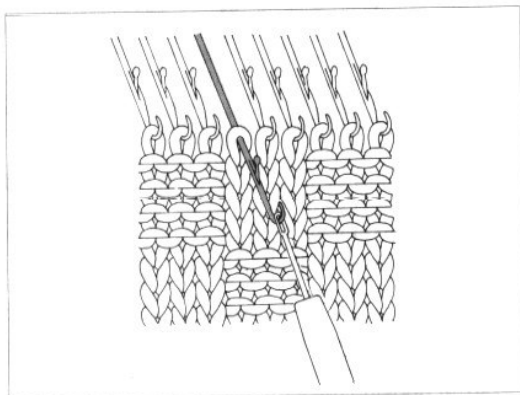
3. You have decreased one stitch.



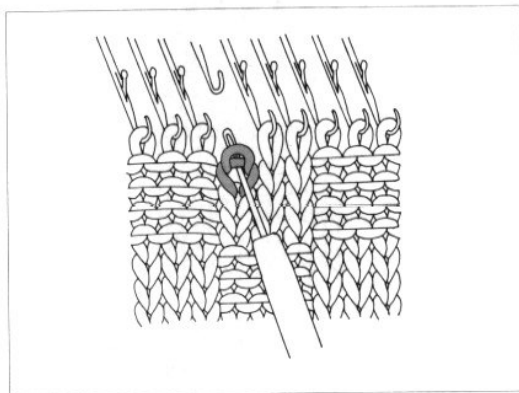
4. Repeat steps. (1~3)

## ● HOW TO UNRAVEL AND PICK UP STITCHES

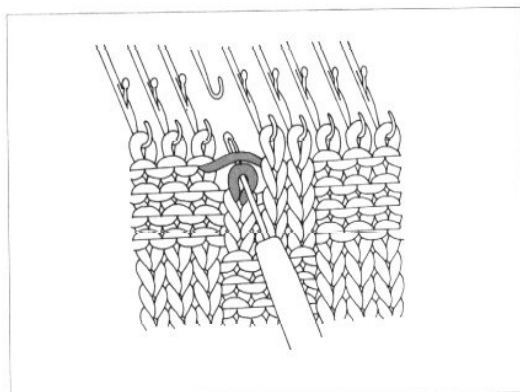
**UNRAVELLING** (When there are plain and purl stitches in the same row.)



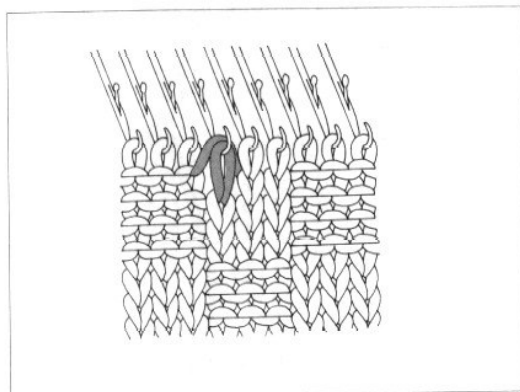
1. Arrange the needles in B position using the Transfer Tool, if necessary.



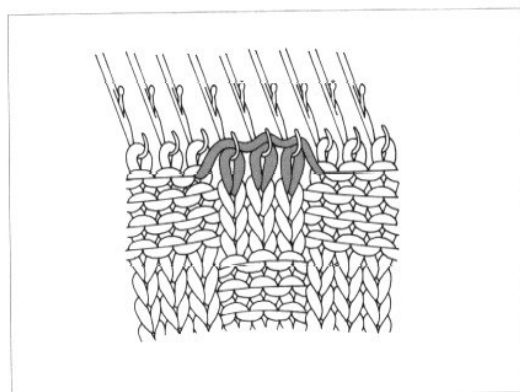
2. Insert the Transfer Tool into the stitch under the plain stitch made by the G-Needle and take it onto the Transfer Tool.



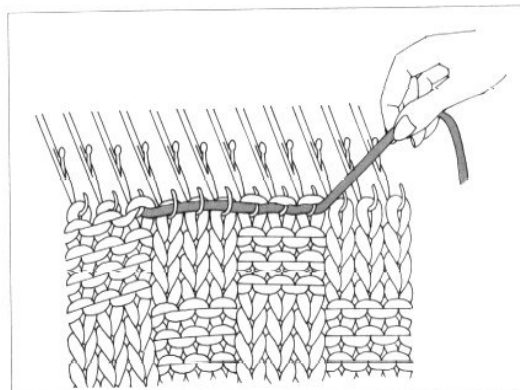
3. Push down the Transfer Tool slightly and unravel one row.



4. Hook the stitches in the needle again as shown in the figure.

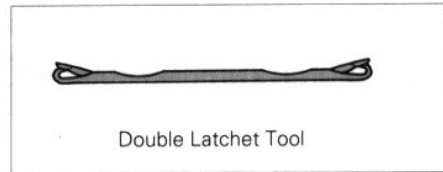


5. Unravel all the plain stitches of that row made by the G-Needle.

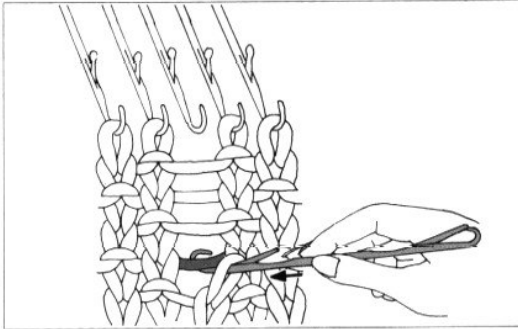


6. Then pull the yarn end slightly sideways and up to unravel the purl stitches and clear the yarn.

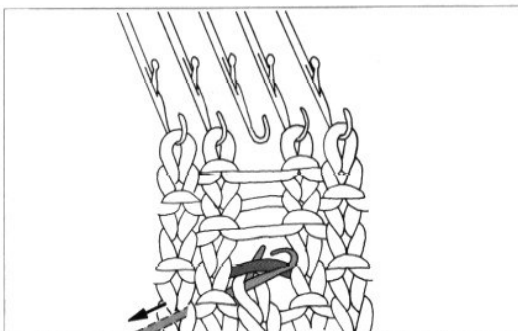
**\* PICKING UP USING THE DOUBLE LATCHET TOOL**



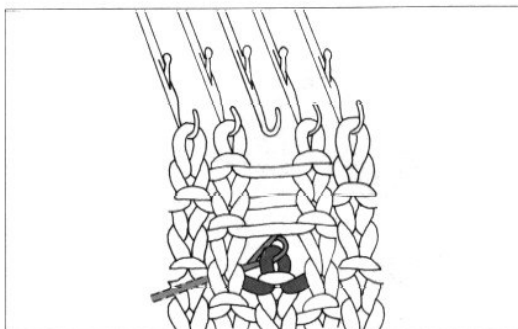
**PURL STITCH (KH stitch)**



1. Pick up the last stitch that has not dropped using the Double Latchet Tool.

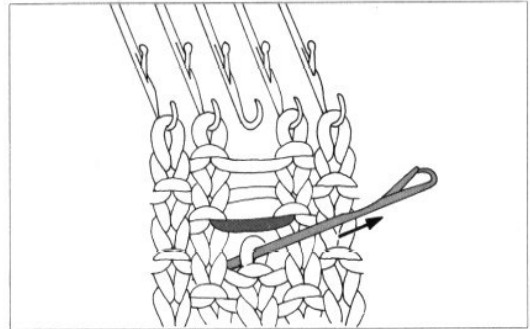


2. Catch the horizontal loop with the hook and pull backwards.

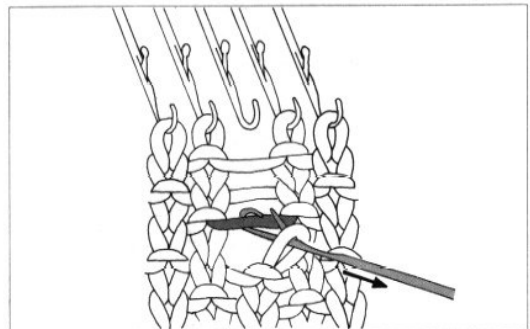


3. Push back the Double Latchet Tool to form a purl stitch.

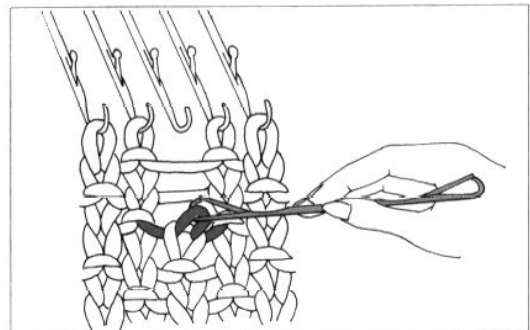
**PLAIN STITCH (G-Needle stitch)**



4. Insert the Double Latchet Tool and pull it backwards as illustrated.



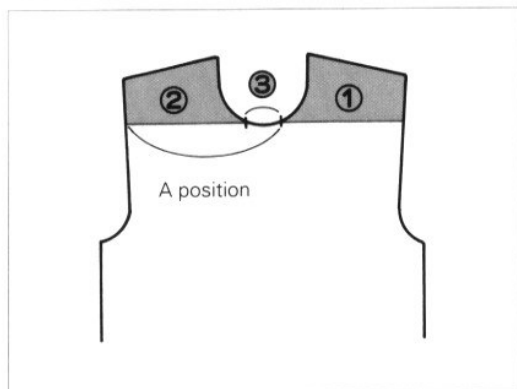
5. Catch the next horizontal loop with the hook.



6. Pull the new yarn through the stitch on the stem to form a plain stitch.

## ● HOW TO SHAPE A NECK LINE

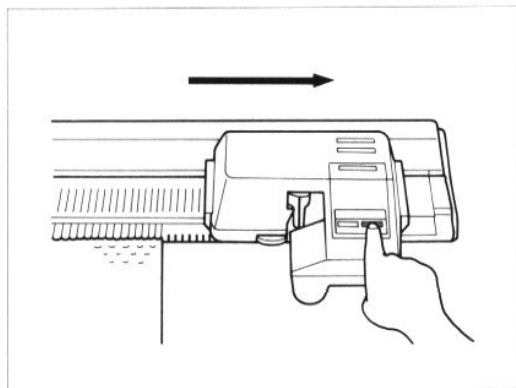
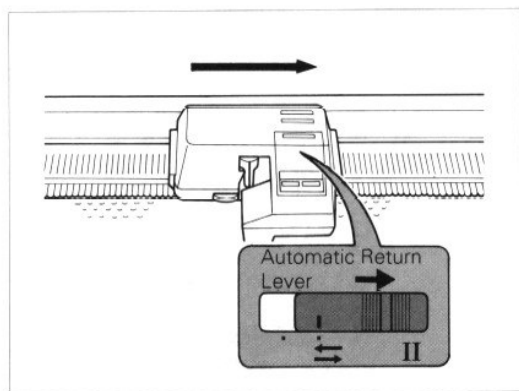
### < 1. ELECTRONIC KNITTING MACHINE (KH-965/900/940/930) >



\* It isn't possible to put needles in D (Upper Working Position) or E (Holding Position) when you use the G-Carriage. You must therefore use A position (Non-working Position).

\* When using KH-900. . . .  
In case you use DOUBLE LENGTH Key, you have to finish the last row (knit two rows with the same needle selection), before shaping a neckline.

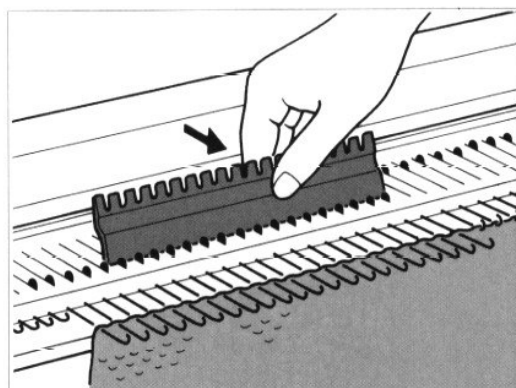
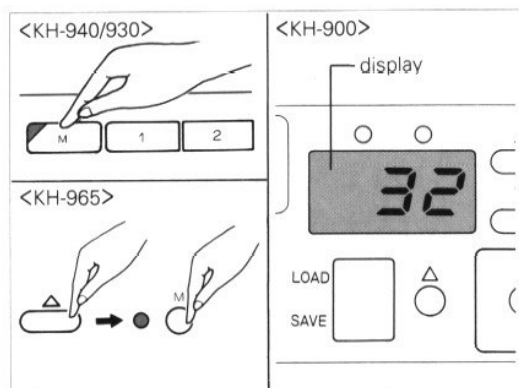
1. Stop the G-Carriage at the point where you must divide for the neck. (The G-Carriage is on the right of the needlebed.)



While the G-Carriage is knitting the last row before you must divide for the neck...

- 1) Switch the Automatic Return Lever to "↔".

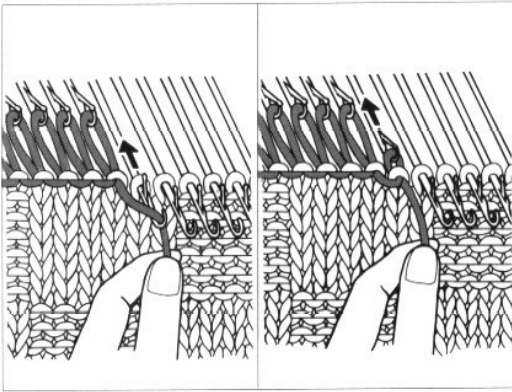
- 2) When the G-Carriage clears the knitting push the Stop Button.



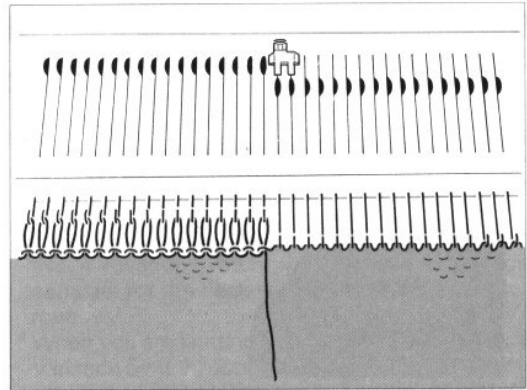
2. KH-940/930 — Push the M Key.  
KH-965 — Push the UP Key and then M Key. (Lamp is lit.) The computer memorizes all the data on the row where you began the neckline division.  
KH-900 — Remember the row No. appeared on the display.

3. Take off part ② and ③ using the Cast-on Thread in the following way.

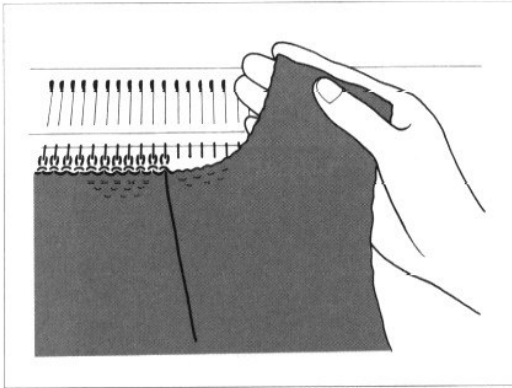
- 1) Bring forward the needles to E position.



2) Place the Cast-on Thread into the hooks of the needles and push back to A position.

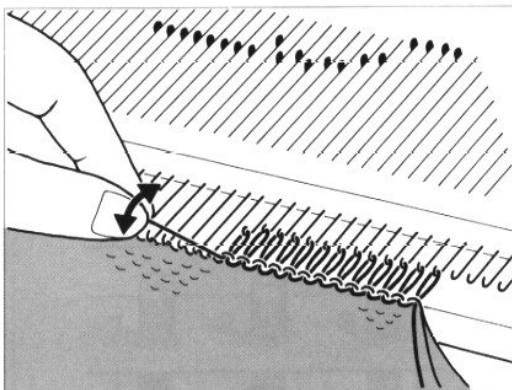


3) The needles in A position will not knit.

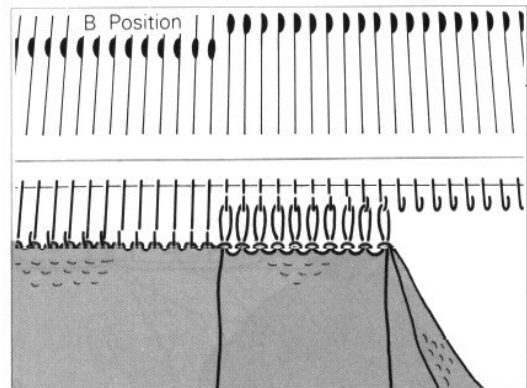


4. Set the Carriage Direction Lever to "←", and push the start button. Knit part ①, while decreasing the stitches.

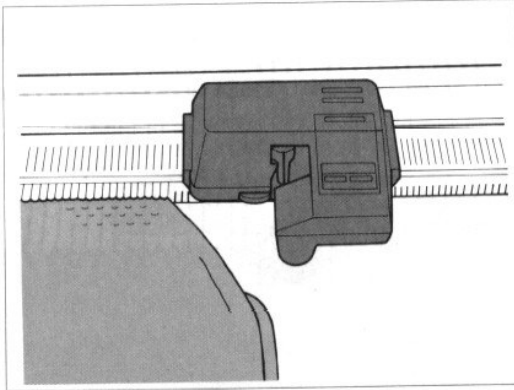
**NOTE:**  
When the knitting is narrow it is possible that the Knit-Leader and Row Counter trippers may not be triggered, so you must do this by hand.



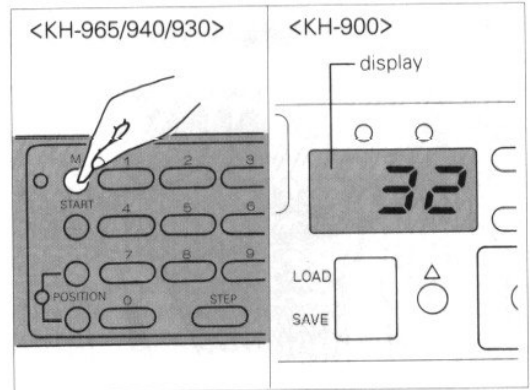
5. Unravel the Cast-on thread of part ② (left shoulder) and make sure all the stitches are in the hooks.



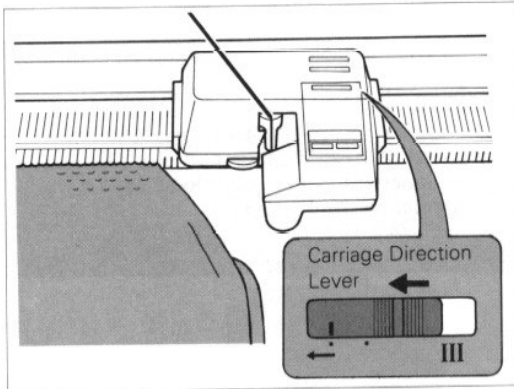
6. Arrange the needles of part ② to B position. (Part ③ needles still remain at A position.)



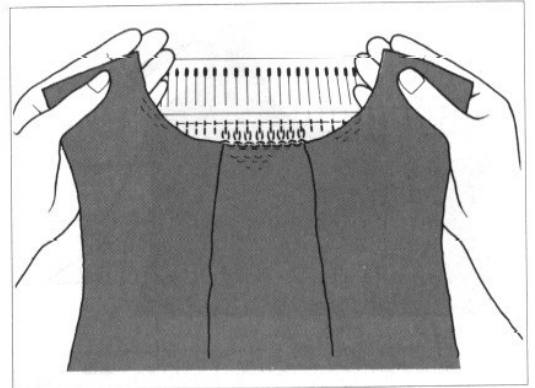
7. Set the G-Carriage at the right side of the knitting.  
 \* Set the Knit-Leader back to the point where the neck division began.



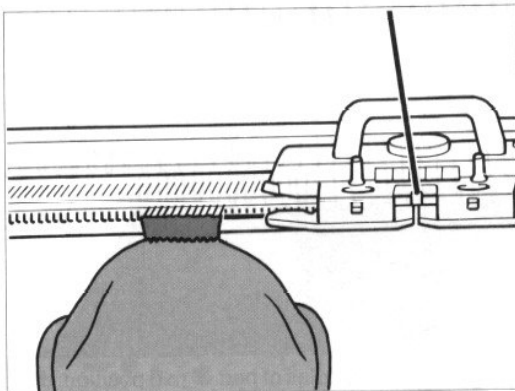
8. KH-965/940/930 — Push the M Key. (M Lamp goes off.)  
 KH-900 — Push the UP/DOWN key until the row No. of step 2 appears on the display.



9. Thread the Yarn. Switch the Carriage Direction Lever to "←". Push the Start Button.



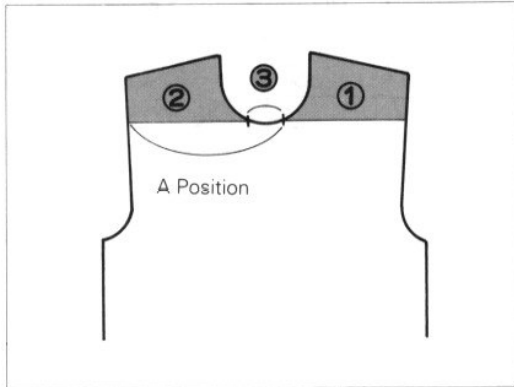
10. Knit part ② to match reversing shapings.



11. Unravel the Cast-on thread of part ③ and Cast-off with waste yarn by using the K-Carriage.

## ● HOW TO SHAPE A NECK LINE

### < 2. ELECTRONIC KNITTING MACHINE (KH-950i/950) >

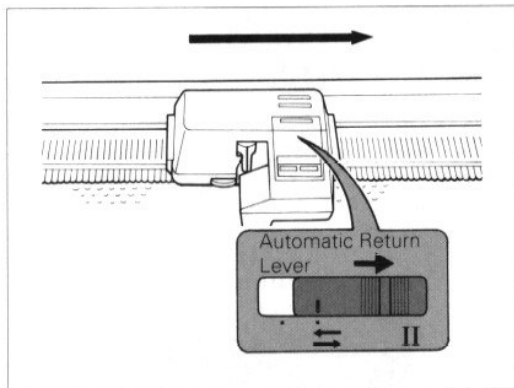


1. Stop the G-Carriage at the point where you must divide for the neck. (The G-Carriage is on the right of the needlebed.)

\* It isn't possible to put needles in D (Upper Working Position) or E (Holding Position) when you use the G-Carriage. You must therefore use A position (Non-working Position).

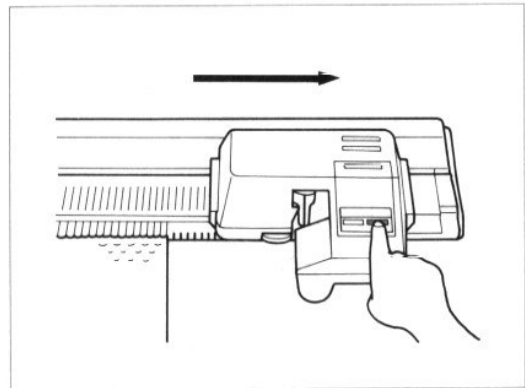
\* When you are working in Double Length Pattern (No. 4 Variation Switch), your last row before you separate for the neck should be an even number row.

\* When you are knitting a Reflection Pattern (No. 5 Variation Switch) don't forget which direction you are knitting in (i.e. from top to bottom, or bottom to top).

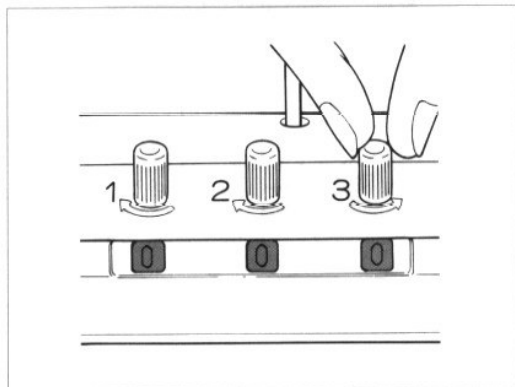


While the G-Carriage is knitting the last row before you must divide for the neck...

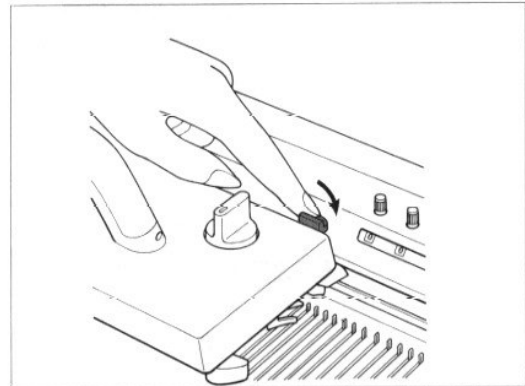
- 1) Switch the Automatic Return Lever to "↔".



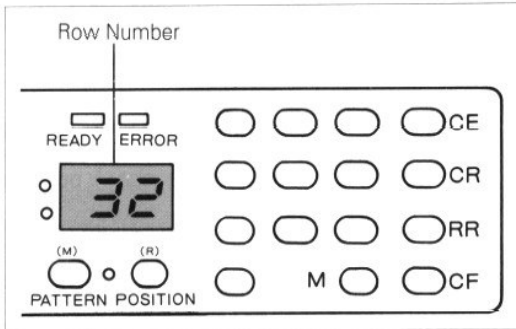
- 2) When the G-Carriage clears the knitting push the Stop Button.



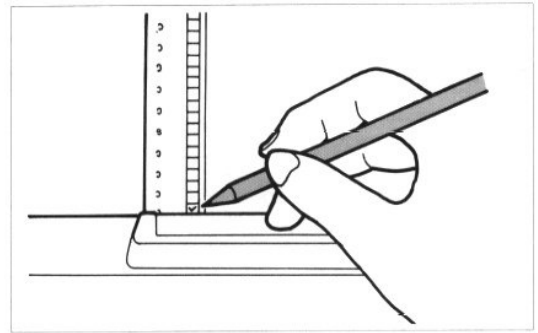
2. Before you start knitting the first side ①, set the figure of row counter to "0".



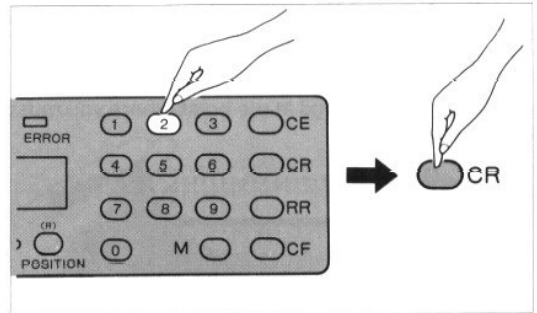
3. Set the row counter tripper to the working position.



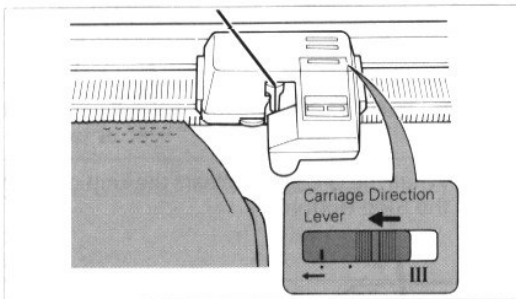
- When knitting the memorized pattern, check the row number in the display. When the Display indicates the memo data, change the display to see the row number by pushing the Green Key.
- Follow the steps 3 to 7, on page 33.



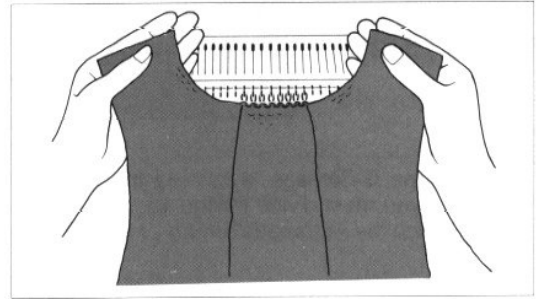
- When you use KH-950 and knit with the pattern card, mark the L-window of the pattern card.



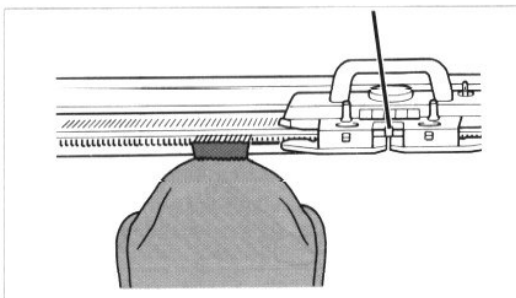
- Enter the figure which shows on the row counter and push the CR key. (e.g. The row counter shows the 054, enter 54 and push the CR key.)



- Thread the Yarn. Switch the Carriage Direction Lever to "←". Push the Start Button.



- Knit part ② to match reversing shapings.

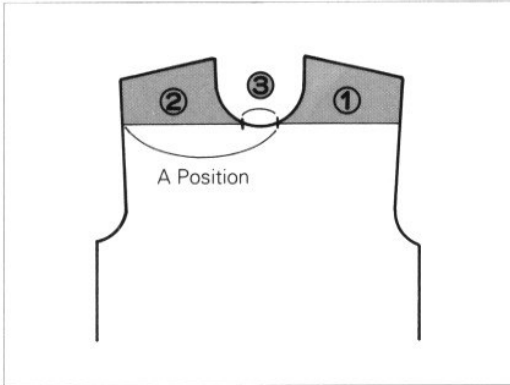


- Unravel the Cast-on thread of part ③ and cast-off with waste yarn by using the K-Carriage.



## ● HOW TO SHAPE A NECK LINE

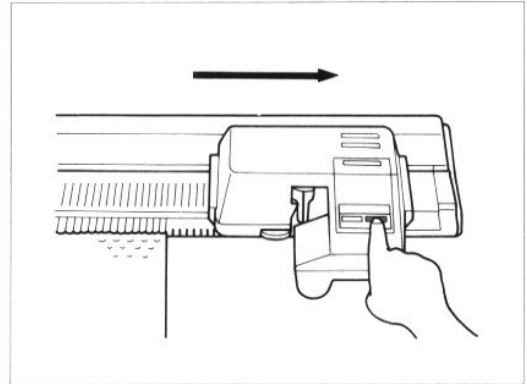
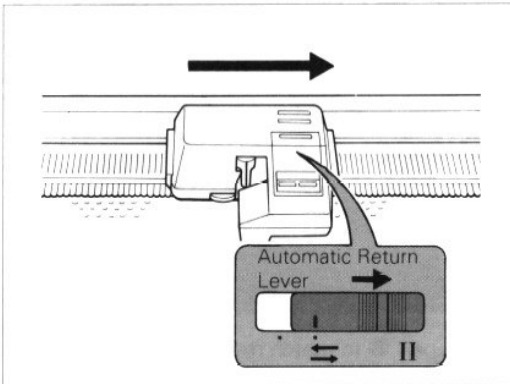
### < 3. PUNCHCARD KNITTING MACHINE >



\* It isn't possible to put needles in D (Upper Working Position) or E (Holding Position) when you use the G-Carriage. You must therefore use A position (Non-working Position).

\* If you are making a double length pattern, (the Card Lock lever at "▼" mark) remember to knit the right side first.

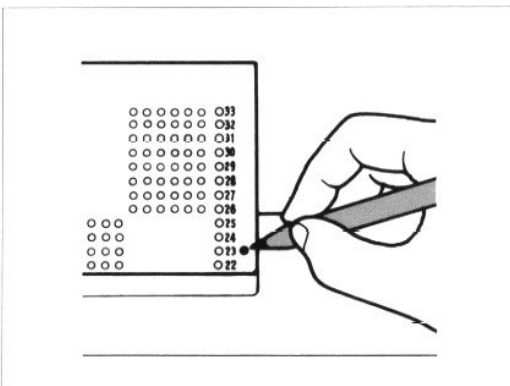
1. Stop the G-Carriage at the point where you must divide for the neck. (The G-Carriage is on the right of the needlebed.)



While the G-Carriage is knitting the last row before you must divide for the neck...

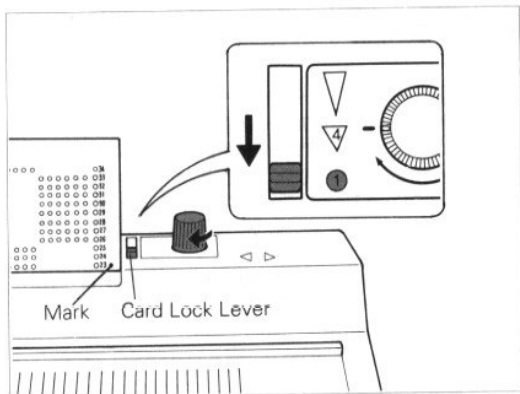
- 2) When the G-Carriage clears the knitting push the Stop Button.

- 1) Switch the Automatic Return Lever to "↔".

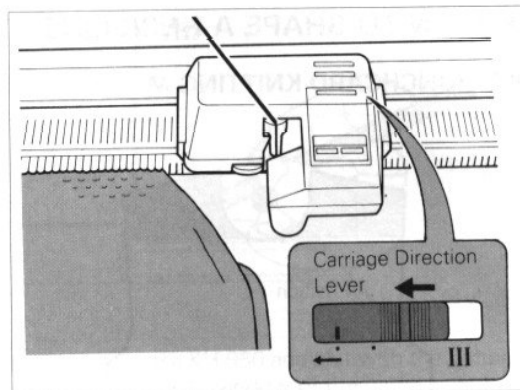


2. Make a mark on the punchcard one row above the row at the Set Line as the card hasn't yet fed down.

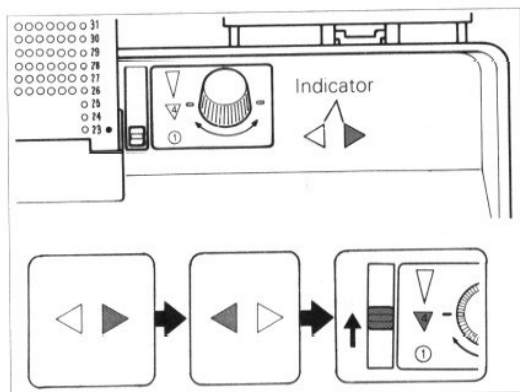
3. Follow the steps 3 to 7 on page 33.



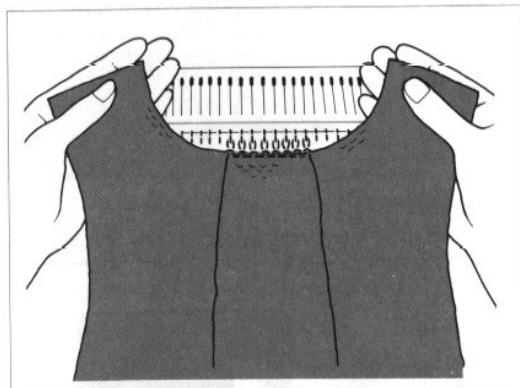
4. Set the Punchcard at the mark you made before and the Card Lock Lever at "●" mark.



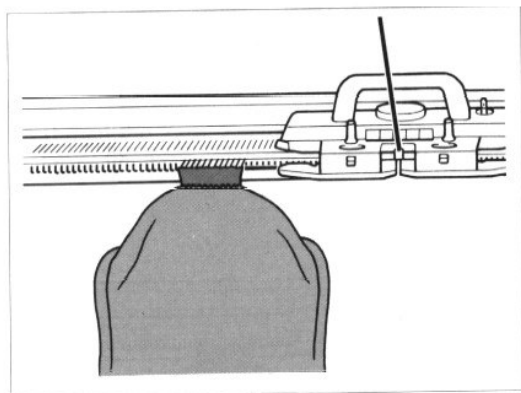
5. Thread the Yarn. Switch the Carriage Direction Lever to "←". Push the Start Button.



6. After the indicator shows the same direction as the G-Carriage is moving in, set the Card Lock Lever to the "▼" mark.

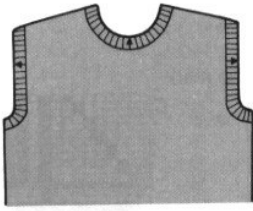


7. Knit part ② to match reversing shapings.

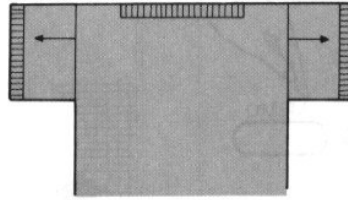


8. Unravel the Cast-on thread of part ③ and cast-off with waste yarn by using the K-Carriage.

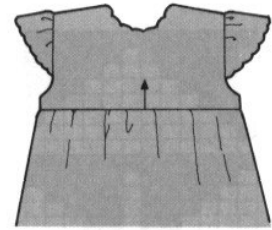
## ● EXAMPLES OF WHEN YOU MUST USE THE K-CARRIAGE



① When you pick up stitches to knit a neckband or armbands.

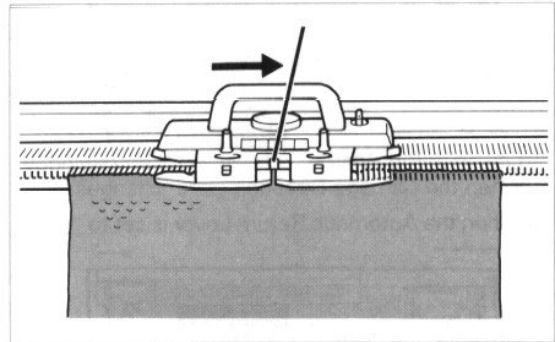


② When you pick up stitches to knit sleeves.

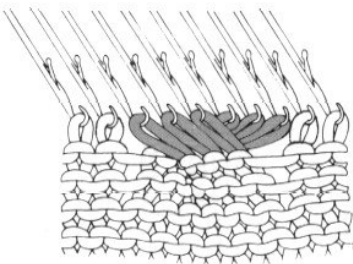


③ When you want to make gathers on a garment and hook more than two stitches on one needle.

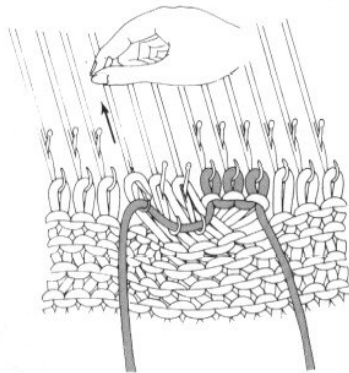
Bring forward the needles to E position and knit one row from left to right with the K-Carriage. Then operate the G-Carriage.



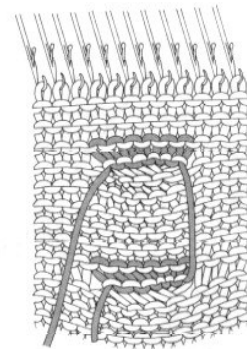
## ● CABLE KNITTING



1. Cross the stitches using the Transfer Tools.

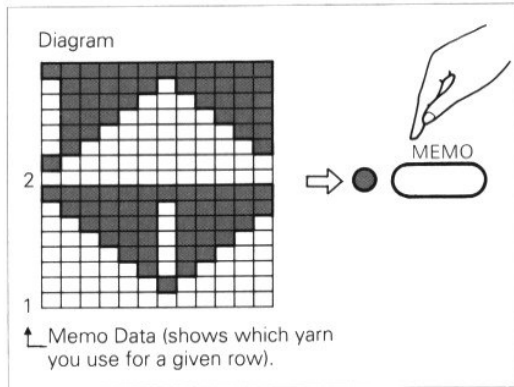


2. Knit the crossed stitches by hand (loosely) with the same yarn. Then operate the G-Carriage.

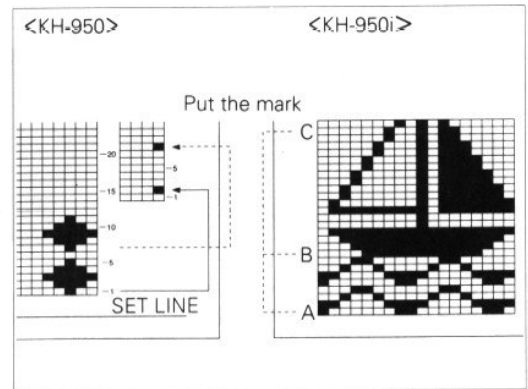


# ● CHANGING THE YARN

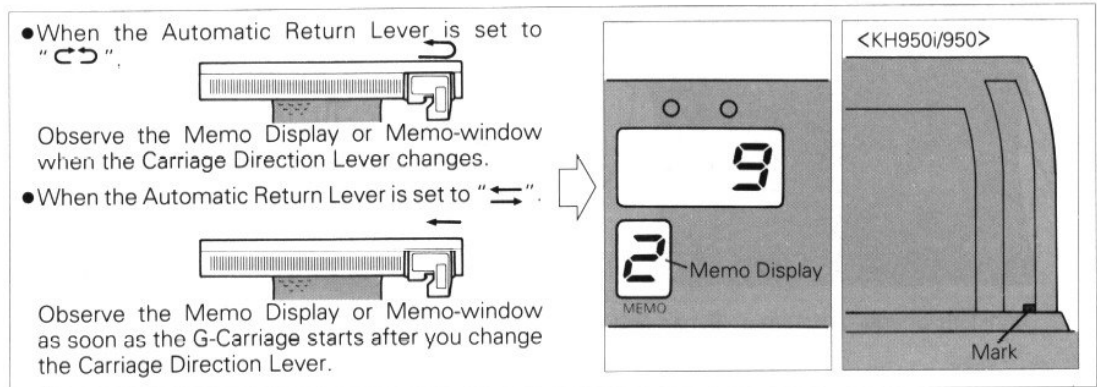
## < 1. ELECTRONIC KNITTING MACHINE >



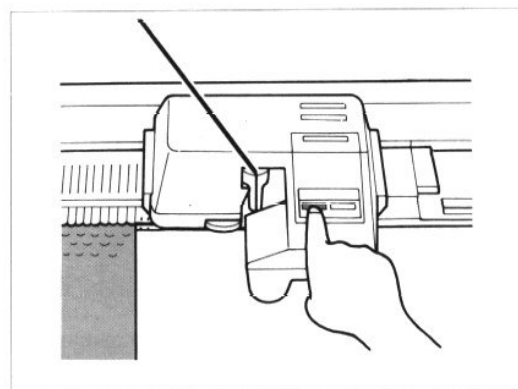
- Using the "Memo" Key enter instructions. (See Instruction Manual of your knitting machine.)



- <When using the pattern card with KH-950i/950> Put the mark where you want to change the yarn. (See Instruction Manual of your knitting machine.)



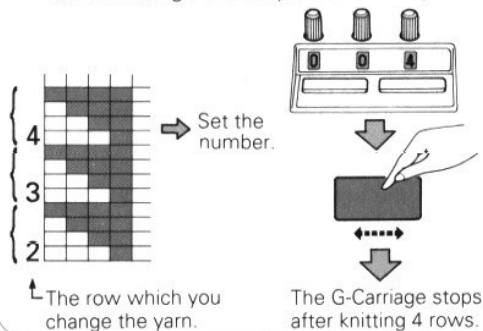
- Stop the G-Carriage with the Stop Button as soon as the number you have entered comes up in the Memo Display or the mark comes at the card inlet.



- Change the yarn and continue knitting.

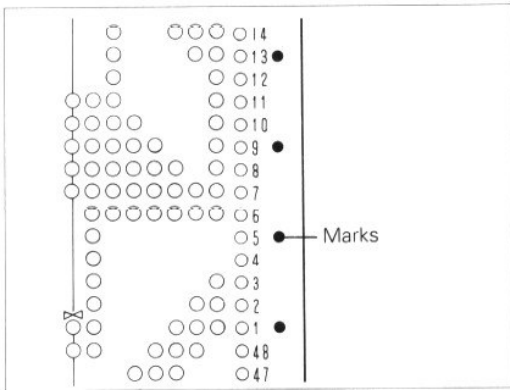
### NOTE:

When the Automatic Return Lever is set to "↻" set the Row Counter to required number of rows before changing the yarn. The G-Carriage will stop automatically.

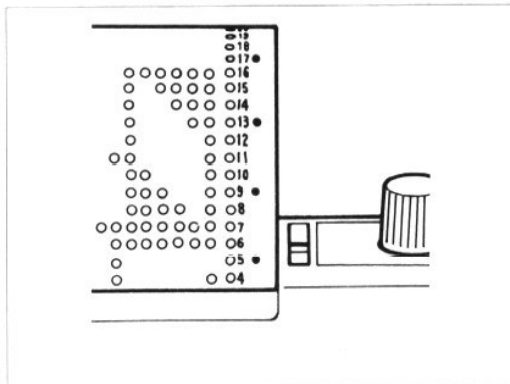


# ● CHANGING THE YARN

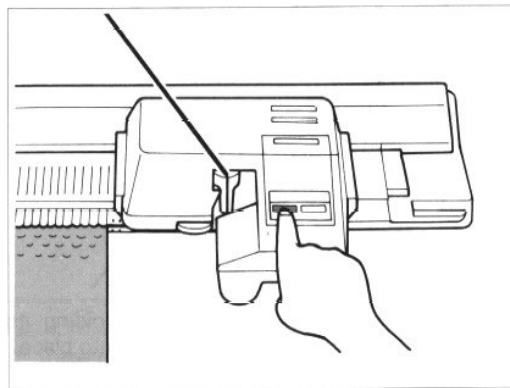
## < 2. PUNCHCARD KNITTING MACHINE >



1. Make a mark on the punchcard where you want to change yarns (example — every 4 rows).

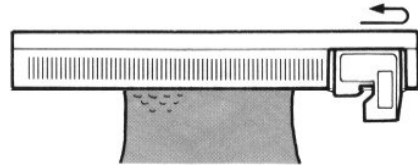


2. Start knitting.  
Push the Stop Button one row before the marked row.

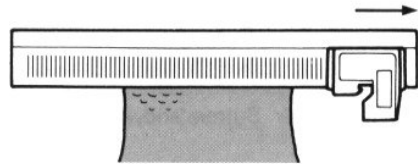


3. Change the yarn and continue knitting.

● When the Automatic Return Lever is set to "↺", push the Stop Button after the G-Carriage has changed direction.

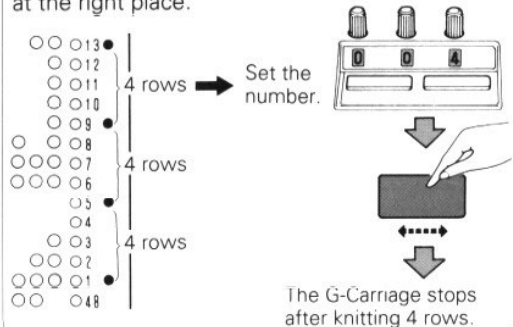


● When the Automatic Return Lever is set to "↻", push the Stop button after the G-Carriage has cleared the knitting.



### NOTE

If you have set the Automatic Return Lever to "↺", you should set the Row Counter to the required number of rows before the next yarn change. The G-Carriage will then stop automatically at the right place.



# USEFUL HINTS

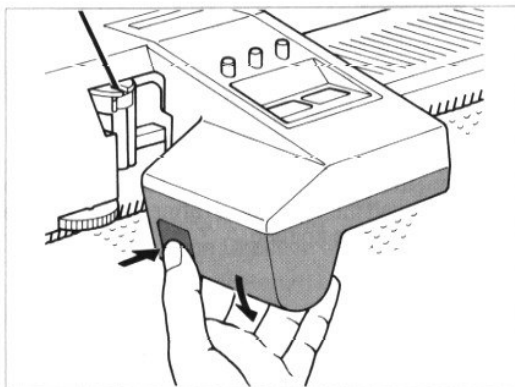
## ● IF THE G-CARRIAGE SHOULD STOP

**First check the following:**

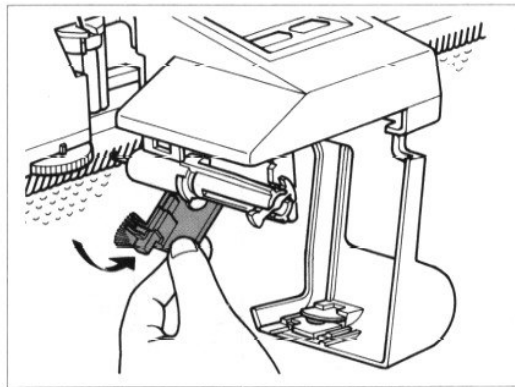
- \* Does the Row Counter read 000?
- \* Has the yarn run out and the Sensor Lever fallen?
- \* Are there any knots or tangles in the yarn?
- \* Check the Sinker Plate.
- \* Are there any knots or tangles under the Sinker Plate?
- \* Ensure the plug is firmly in position.
- \* Ensure the Levers are in the correct position.

**After you have checked those points, push the Start Button again.  
If the G-Carriage is still jamming, set it again as the following way.**

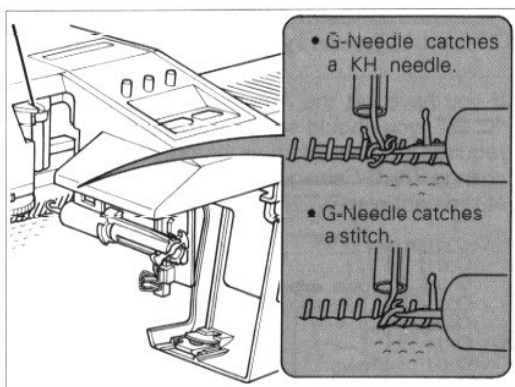
### < WHEN USING KH-965/950i/950/940/930 >



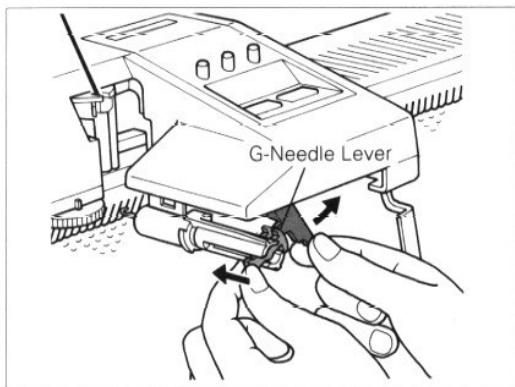
1. Push the Cover Button and open the Lower Cover.



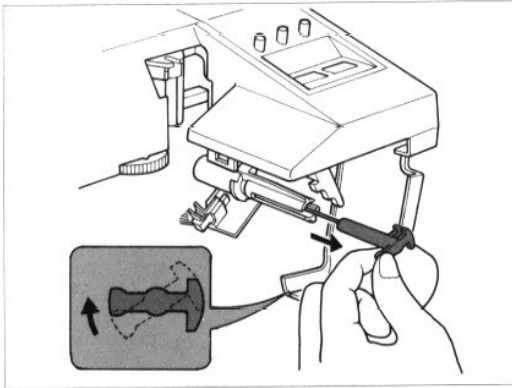
2. Release the Sinker Plate.



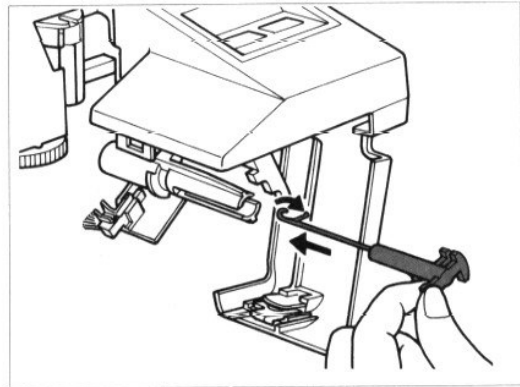
3. Check the G-Needle. If there are any tangles remove the G-Needle and re-adjust.



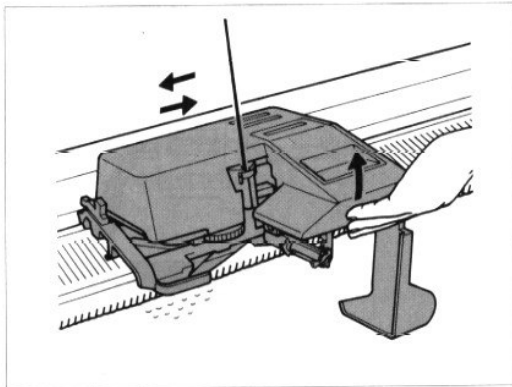
1) Take out the G-Needle Lever holding its plastic knob. Push the G-Needle into place.



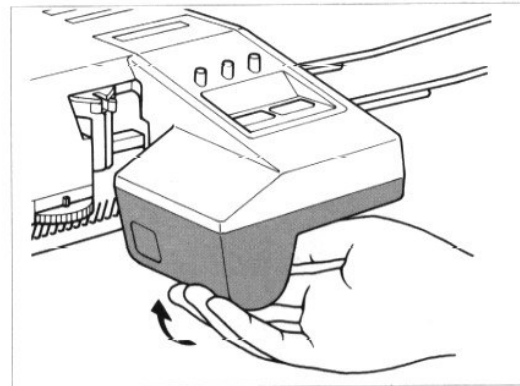
2) Pull the G-Needle out. Should it catch onto a KH needle, revolve the G-Needle to the right and pull it out horizontally.



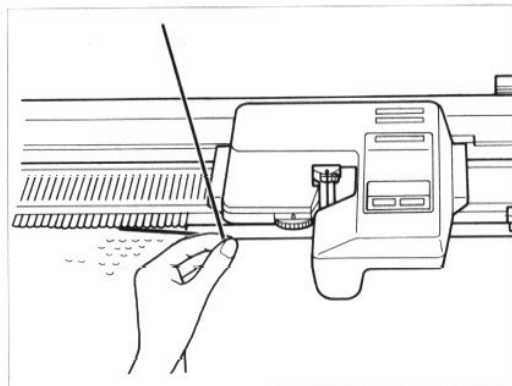
4. After checking the G-Needle (refer to page 53) place it back into position.



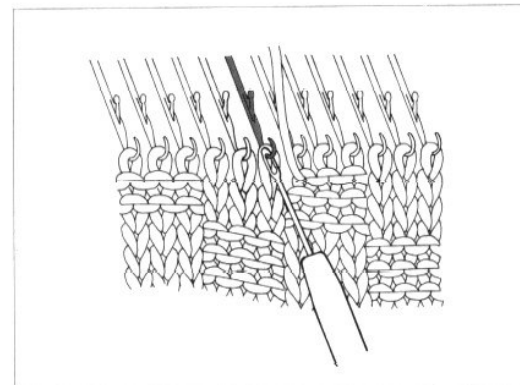
5. Lift the front of the G-Carriage and move it in the direction that the Carriage Direction Lever indicates and position it clear of the knitting.



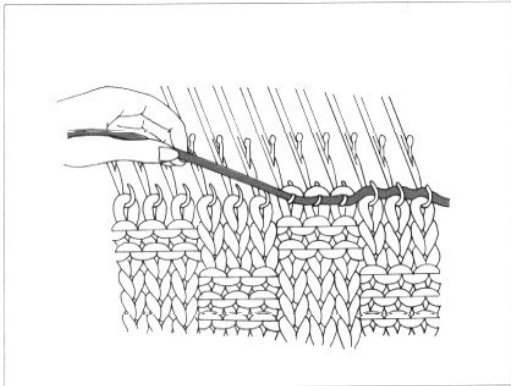
6. Close the Lower Cover.



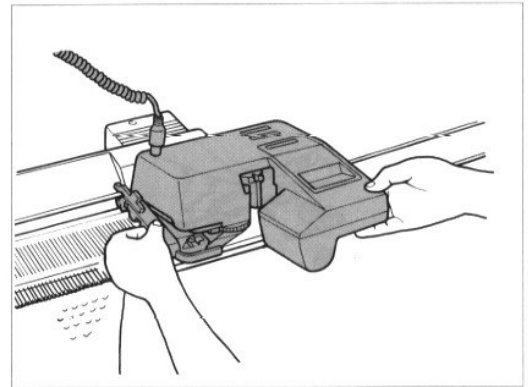
7. Take out the yarn from the Yarn Guide.



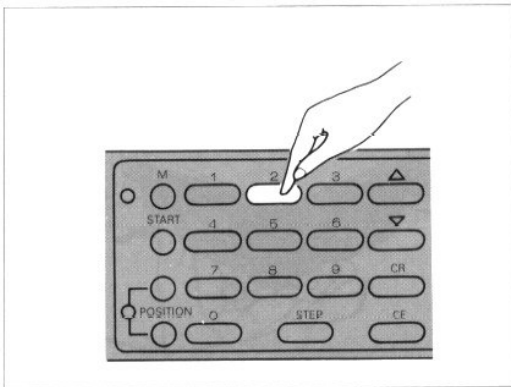
8. If the stitches are out of the hooks, put them in the hooks by using the Transfer Tool.



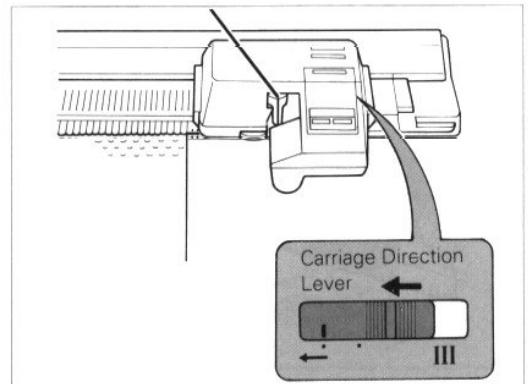
9. Refer to page 31 and unravel the row where the G-Carriage has jammed and remember the number of rows you have unravelled. Make sure all the stitches are in the hooks and align the needles at B position.



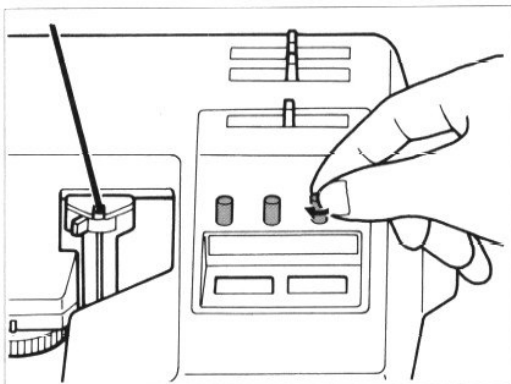
10. If the yarn is on the opposite side of the G-Carriage, move the G-Carriage to the yarn side and place it outside the Turn Mark. (In this case add one row to the number of rows you have unravelled.)



11. Enter the number of unravelled rows after pushing CE key and push the CR Key.



12. Thread the yarn in the Yarn Guide and set the Carriage Direction Lever.



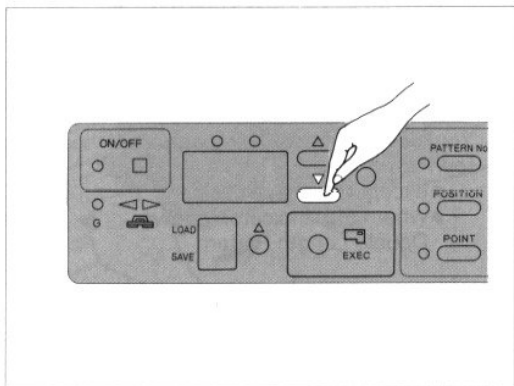
13. Adjust the Row Counter and the Knit-Leader. Then start knitting.

●When the G-Carriage is stopped clear of the knitting, follow the steps from 5 on page 44.



## < WHEN USING KH-900 >

1. Follow the steps from 1 (on page 43) to 10 (on page 45).



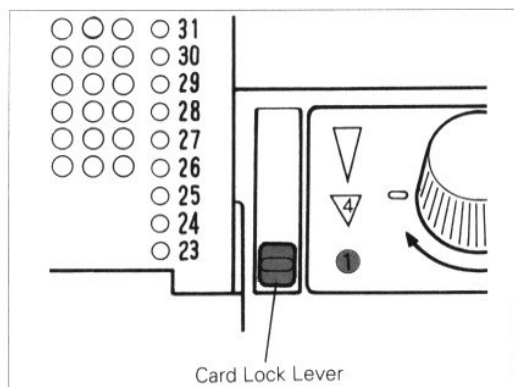
2. Push the ▼ (down) key as many times as you have unravelled.  
(The carriage direction indicators go off.)
3. Follow the steps from 12 on page 45.

In case you moved the G-Carriage to the yarn side on step 10 on page 45, push the ▼ (down) key one extra time.

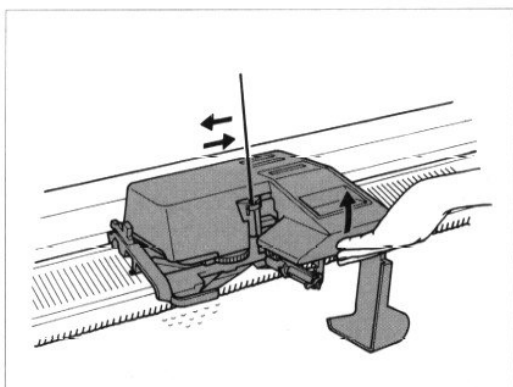
- ♣ When the upside down key is on, push the ▲ (up) key instead of down key.
- ♣ When the double length key is on, keep pushing the up or down key, until you get the required number of row on the display.

- When the G-Carriage is stopped clear of the knitting.
  - ① Follow the steps from 5 to 10 on page 44 – 45.
  - ② Follow the step 2 above.
  - ③ Follow the steps 12 and 13 on page 45.

## < WHEN USING PUNCHCARD KNITTING MACHINE >



1. Set the Card Lock Lever at "●" mark. Follow the steps from 1 to 4 on page 43 – 44.



3. Lift up the front part of the G-Carriage and move it back to the starting position of the row. Follow the steps from 6 to 9 on page 44 – 45.

5. Wind the card back according to the chart below;

Number of rows unravelled	Number of rows to wind back		
	Normal Pattern	Double Length Pattern	
		The yarn end is on the right	The yarn end is on the left
1	0	0	0
2	1	0	1
3	2	1	1
4	3	1	2
5	4	2	2
6	5	2	3
7	6	3	3

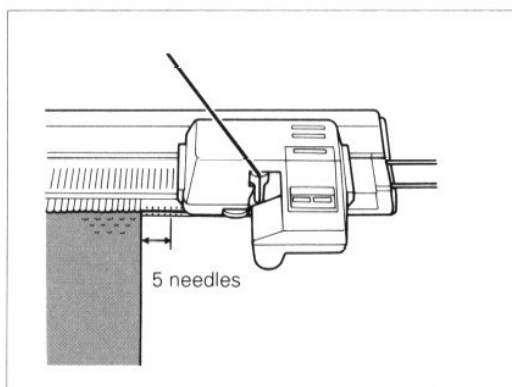
Adjust the Row Counter and the Knit-Leader.

2. Before you unravel, check the following point;

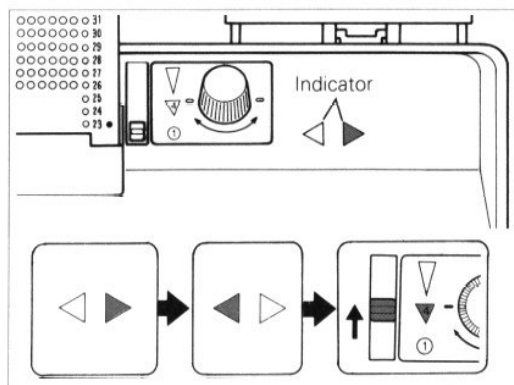
You must wind the card back one row if . . . . .  
G-Carriage has just turned its direction and is about to knit the next row, and Carriage Direction Indicator shows the same direction as the Indicator of the main bed.

You don't need to wind the card back one row. . . . .

- except the above case
- when the Indicator shows ◁ ▶ in the Double Length Pattern



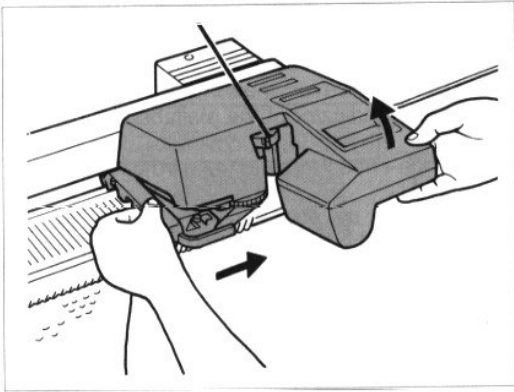
4. If the yarn is on the opposite side of the G-Carriage, move the G-Carriage to the yarn side and place it 5 needles from the edge of the knitting. Then thread the yarn in the yarn guide.



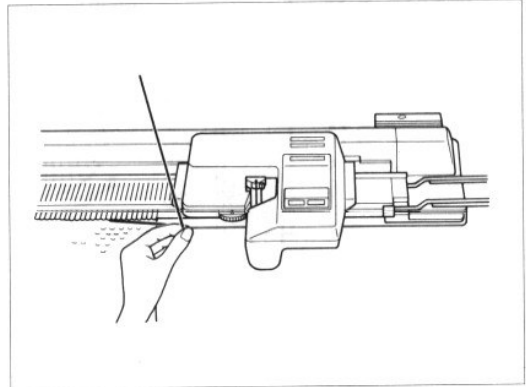
6. Push the Start Button. After the Indicator shows the same direction as the G-Carriage is moving in, set the Card Lock Lever to the "▼" or "▼" mark.

## ● HOW TO UNRAVEL SEVERAL ROWS

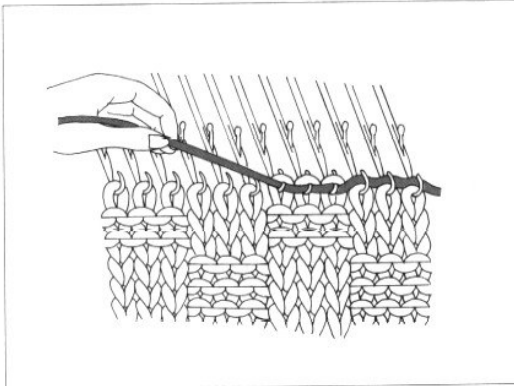
### < WHEN USING KH-965/950i/950/940/930 >



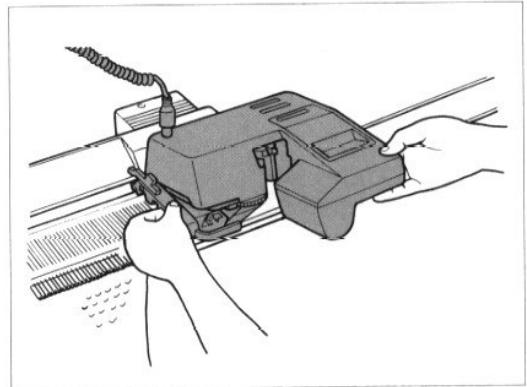
1. Lift the front part of the G-Carriage and move it to the direction Carriage. Direction Lever shows, and place it clear of the knitting.



2. Take out the yarn from the Yarn Guide.



3. Unravel the required number of rows, and remember how many rows you have unravelled. (Refer to page 31.)



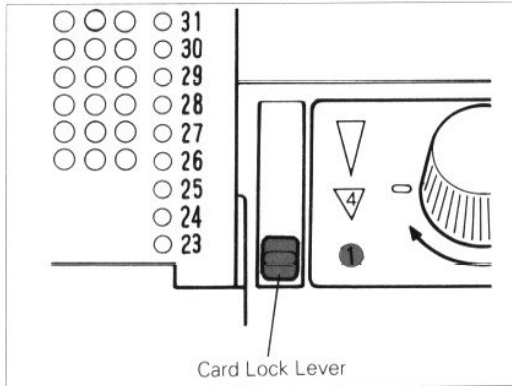
4. If the yarn is on the opposite side of the G-Carriage, move the G-Carriage to the yarn side and place it outside the Turn Mark. (In this case add one row to the number of rows you have unravelled.)

5. Follow the steps from 11 on page 45.

### < WHEN USING KH-900 >

1. Follow the steps 1 – 4 above.
2. Follow the steps from 2 on page 46.

## < WHEN USING PUNCHCARD KNITTING MACHINE >



1. Set the Card Lock Lever at "●" mark.

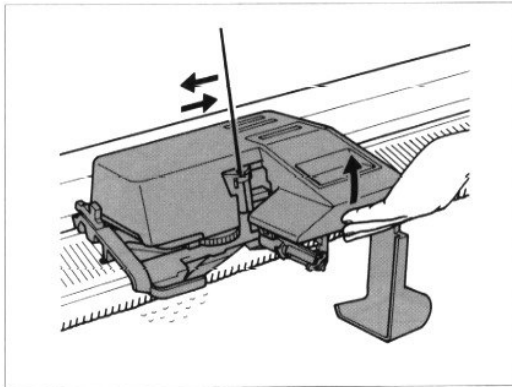
2. Before you unravel, check the following point;

You must wind the card back one row if . . .

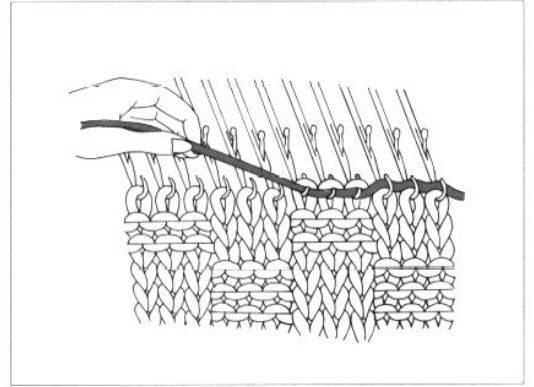
G-Carriage has just turned its direction and is about to knit the next row, and Carriage Direction Lever shows the same direction as the Indicator of the main bed.

You don't need to wind the card back one row. . .

- except the above case.
- when the Indicator shows ◁ ▶ in the Double Length Pattern



3. Lift the front part of the G-Carriage and move it back to the starting position of the row. Take out the yarn from the yarn guide.

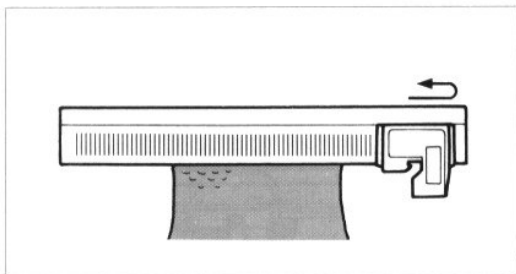


4. Unravel the required number of rows, and remember how many rows you have unravelled. (Refer to page 31.)

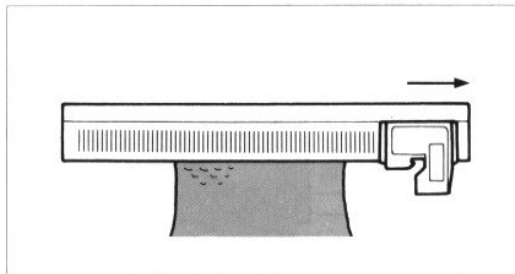
5. Follow the steps 4 – 6 on page 47.

## ● TURNING OFF THE POWER IN THE MIDDLE OF PATTERN KNITTING

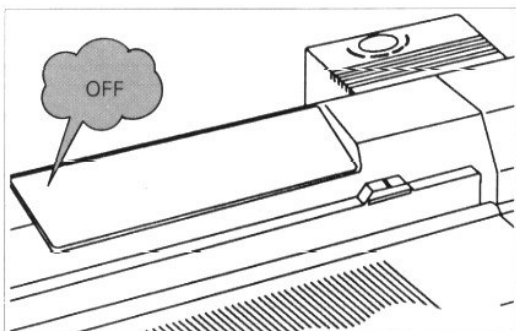
1. Stop the G-Carriage after completion of the row it is knitting.



- When the Automatic Return Lever is set to “↻”, stop it when the G-Carriage has just turned.



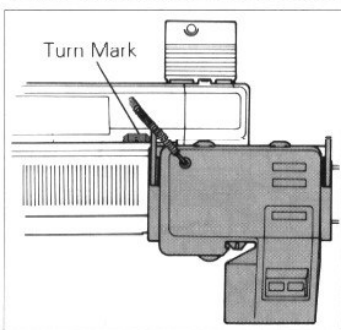
- When the Automatic Return Lever is set to “↔”, stop it when the G-Carriage has cleared the knitting.



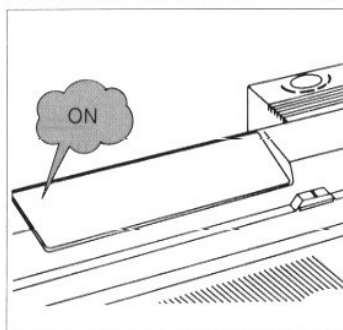
2. Turn off the Power Switch.

**\*How to start knitting again.**

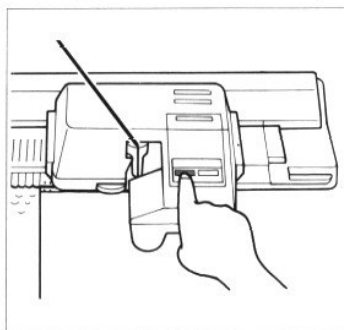
### < WHEN USING ELECTRONIC KNITTING MACHINE (KH-950i/950 WITHOUT PATTERN CARD) >



1. Place the G-Carriage outside the Turn Mark.

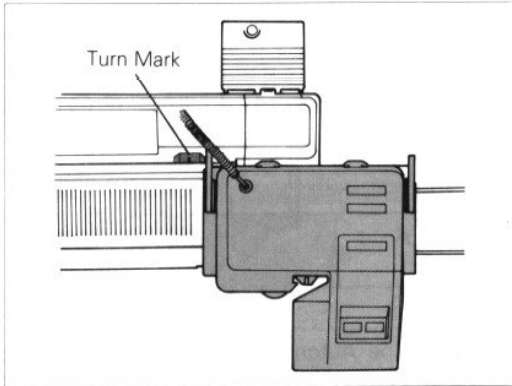


2. Turn the Power Switch on.

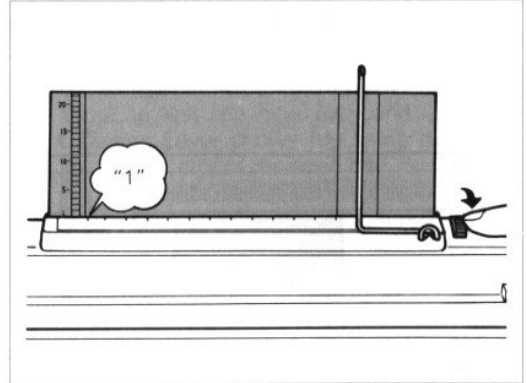


3. Move the G-Carriage to the edge of the knitting and ensure the G-Lamp (or Pattern Position Lamp) is lit. Set the Carriage Direction Lever and then start knitting.

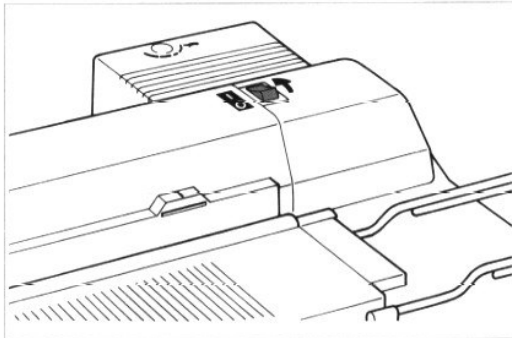
**< WHEN USING KH-950i/950 WITH PATTERN CARD >**



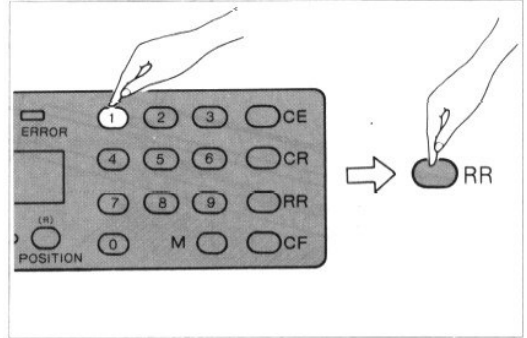
1. Place the G-Carriage outside the Turn Mark.



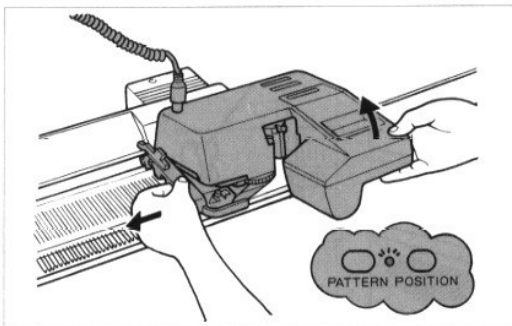
2. Insert the Pattern Card. Turn the Card Feeding Dial and set the Card on the 1st row in the L-window.



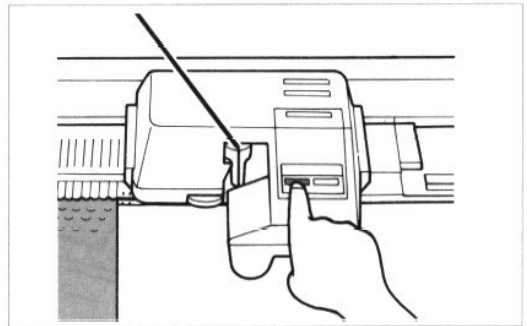
3. Turn the Power Switch on.



4. Enter the number shown in the L-window (1) and push the RR Key. The Card should return to the correct position for you to start knitting again, as it will have memorised which row number you were on.



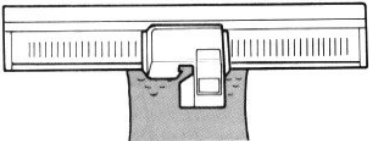
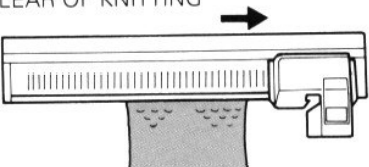
5. Move the G-Carriage to the edge of your knitting. Make sure the Pattern Position Lamp is lit.

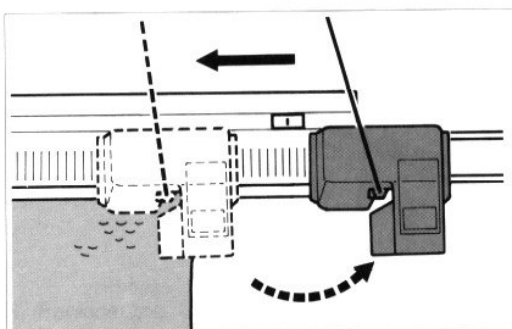


6. Set the Levers and start knitting again.

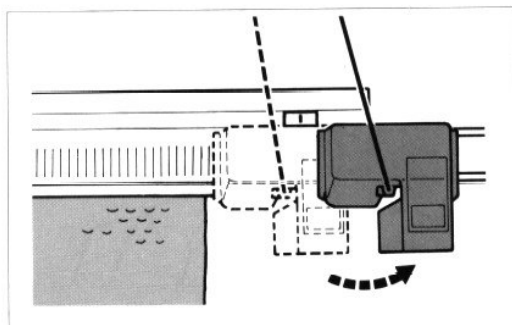
## ● WHEN THE POWER IS CUT OFF IN THE MIDDLE OF PATTERN KNITTING

● First, check the following point.

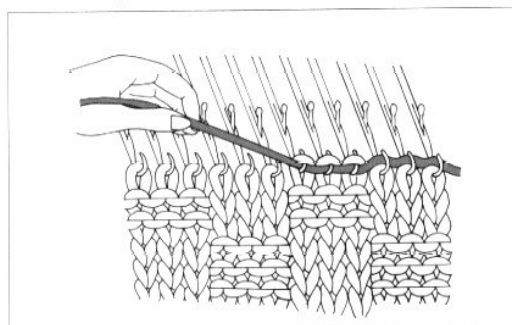
THE PLACE WHERE THE G-CARRIAGE HAS STOPPED	REMEDY
<p>● MID KNITTING</p> 	<p>You have to unravel a row, according to the steps below.</p>
<p>● CLEAR OF KNITTING</p> 	<p>You don't have to unravel the row. In this case, skip the steps 2 and 4 below.</p> <ul style="list-style-type: none"> <li>● In case the G-Carriage is moving toward the knitting in "↔" position, skip the step 2 only.</li> </ul>



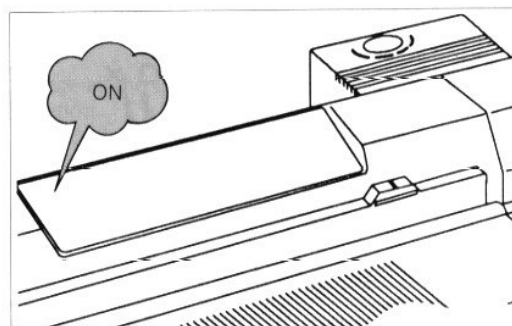
1. Move the G-Carriage outside the Turn Mark.
  - When the G-Carriage is in the middle of the knitting, move it back to the beginning of the row (to the opposite direction G-Carriage is moving).



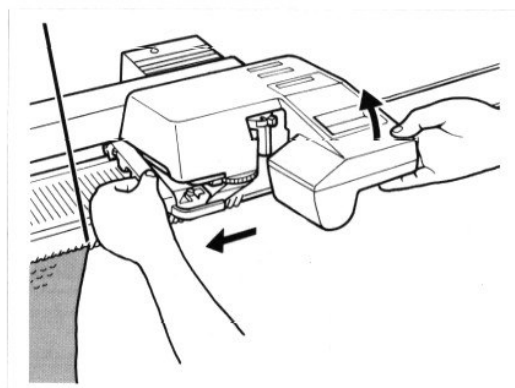
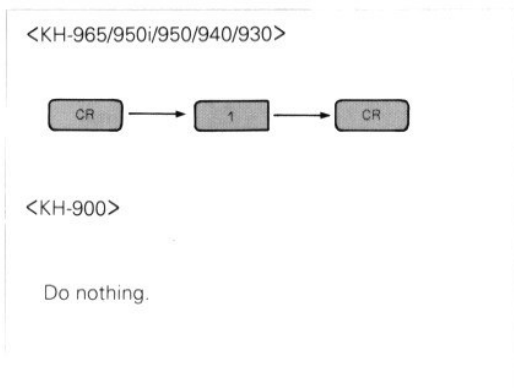
- When the G-Carriage is cleared of the knitting, move it back to the yarn side, regardless of the direction G-Carriage is moving.



2. Unravel the row.

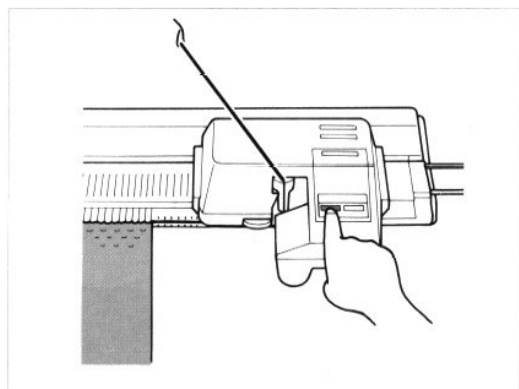


3. Turn the Power Switch on.



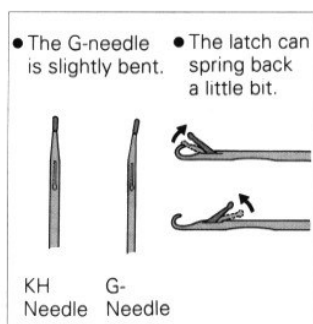
4. When using KH-965/950i/950/940 and 930, push CR key, enter 1 then push CR key again. When using KH-900, you have to do nothing.

5. Move the G-Carriage to the edge of the knitting. Make sure that the G-Lamp (or Pattern Position Lamp) is lit.



6. Start knitting again.

## ● CHECKING THE G-NEEDLE



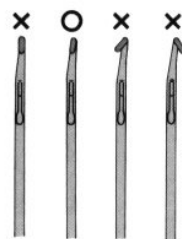
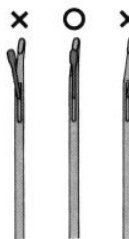
● Is the stem all right?

● Is the latch all right?

● Is the hook all right?

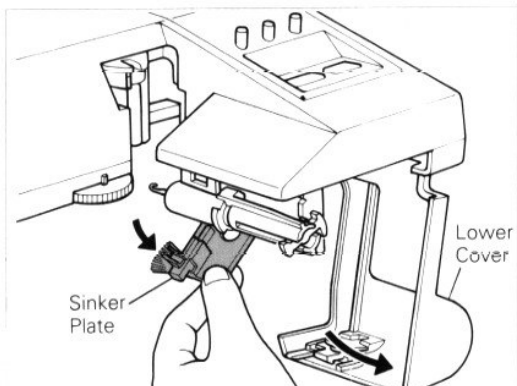
× ○ ×

× ○ ×

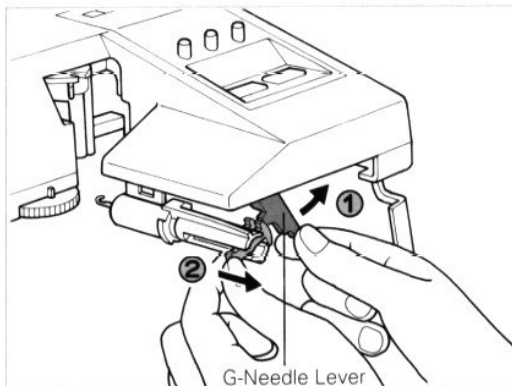




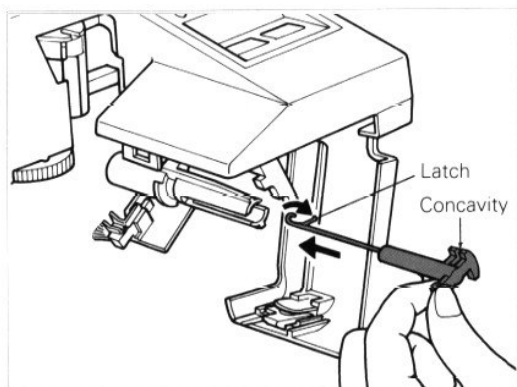
## ● CHANGING THE G-NEEDLE



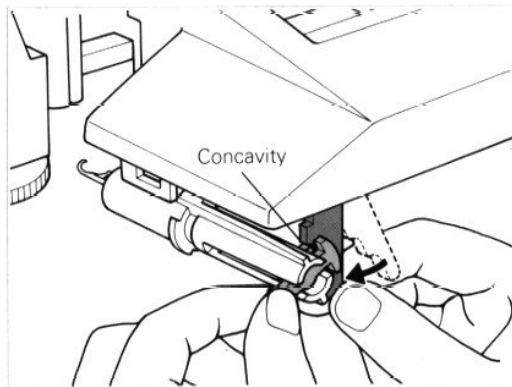
1. Push the Cover Button and open the Lower Cover.  
Release the Sinker Plate



2. Release the G-Needle Lever and pull out the G-Needle.



3. Replace the G-Needle opening the latch as illustrated.



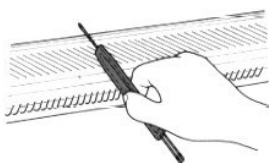
4. Fit the G-Needle Lever in the concavity of G-Needle.  
Close the Lower Cover.

## ● CHECKING THE GATE PEG AND KH NEEDLES

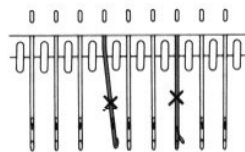
They are important for better knitting.



Repair the Gate Peg using the Transfer Tool as shown in the figure.



Check all the KH needles by bringing them to E position.  
Check latches and hooks, too.



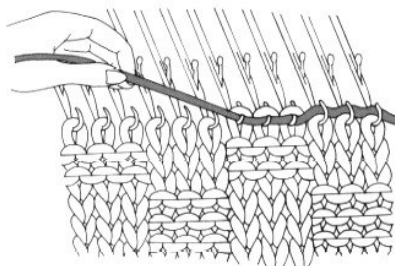
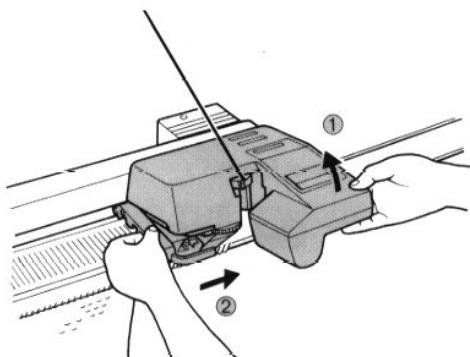
Refer to the Instruction Manual of your knitting machine and replace the damaged needles with new ones.

## ● CLEANING AND MAINTENANCE

- \* Take the G-Carriage off the needlebed and clean up dust and lint with a soft cloth.
- \* Wipe the metal parts and the Rear Rail (Rack) of the knitting machine, with an oiled cloth.
- \* Wipe the plastic parts with a soft cloth using a neutral detergent solution.

## ● PRECAUTIONS

- \* Do not worry about the heat from the Adaptor when you have been using it for a long time but do not obstruct the heat loss.
- \* Do not place in direct heat or direct sunlight.
- \* See that your child does not touch the G-Carriage while you are away from the machine.
- \* Do not move or pull the knitting roughly as you may upset the G-Carriage working smoothly.
- \* Do not lift the front of the G-Carriage in the middle way of the knitting.  
If you lift up and put it down onto the working needles, it will damage the G-Carriage.  
If you lift it by mistake. . . .



### 1. (WHEN USING ELECTRONIC KNITTING MACHINE)

Push the stop button and move the G-Carriage to the direction Carriage Direction Lever shows, while lifting the front part, and place it clear of the knitting.

### (WHEN USING PUNCHCARD KNITTING MACHINE)

Push the stop button and set the Card Lock Lever to "●". While lifting the front part of the G-Carriage, move it to the direction Carriage Direction Lever shows, and place it clear of the knitting.

### 2. Unravel the last row and start knitting again.

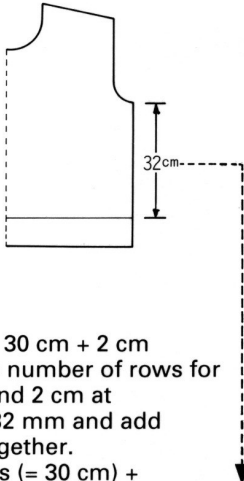
- KH-965/950i/950/940 and 930  
..... Refer to page 44.
- KH-900 ..... Refer to page 46.
- PUNCHCARD KNITTING MACHINE  
..... Refer to page 47.

# COMPARISON CHART

Use the following chart to work out the approximate number of rows to a given measurement, based on your tension swatch.

Example:

If 60 rows measures 131 mm and you want to knit 32 cm . . .



32 cm = 30 cm + 2 cm  
 Find the number of rows for 30 cm and 2 cm at 130 ~ 132 mm and add them together.  
 136 rows (= 30 cm) +  
 9 rows (= 2 cm) = 145 rows.

Set your row counter at 145.

Tension Gauge	1cm	2cm	3cm	4cm	5cm	6cm	7cm	8cm	9cm	10cm	20cm	30cm	40cm	50cm
60 mm	10	20	30	40	50	60	70	80	90	100	200	300	400	500
61	9	19	29	39	49	59	68	78	88	98	196	295	393	491
62	9	19	29	38	48	58	67	77	87	96	193	290	387	483
63	9	19	28	38	47	57	66	76	85	95	190	285	380	476
64	9	18	28	37	46	56	65	75	84	93	187	281	375	468
65	9	18	27	36	46	55	64	73	83	92	184	276	369	461
66	9	18	27	36	45	54	63	72	81	90	181	272	363	454
67	8	17	26	35	44	53	62	71	80	89	179	268	358	447
68	8	17	26	35	44	52	61	70	79	88	176	264	352	441
69	8	17	26	34	43	52	60	69	78	86	173	260	347	434
70	8	17	25	34	42	51	60	68	77	85	171	257	342	428
71	8	16	25	33	42	50	59	67	76	84	169	253	338	422
72	8	16	25	33	41	50	58	66	75	83	166	250	333	416
73	8	16	24	32	41	49	57	65	73	82	164	246	328	410
74	8	16	24	32	40	48	56	64	72	81	162	243	324	405
75	8	16	24	32	40	48	56	64	72	80	160	240	320	400
76	7	15	23	31	39	47	55	63	71	78	157	236	315	394
77	7	15	23	31	38	46	54	62	70	77	155	233	311	389
78	7	15	23	30	38	46	53	61	69	76	153	230	307	384
79	7	15	22	30	37	45	53	60	68	75	151	227	303	379
80	7	15	22	30	37	45	52	60	67	75	150	225	300	375
81	7	14	22	29	37	44	51	59	66	74	148	222	296	370
82	7	14	21	29	36	43	51	58	65	73	146	219	292	365
83	7	14	21	28	36	43	50	57	65	72	144	216	289	361
84	7	14	21	28	35	42	50	57	64	71	142	214	285	357
85 ~ 86	6	13	20	27	34	41	48	55	62	69	139	209	279	348
87 ~ 88	6	13	20	27	34	40	47	54	61	68	136	204	272	340
89 ~ 90	6	13	20	26	33	40	46	53	60	66	133	200	266	333
91 ~ 92	6	13	19	26	32	39	45	52	58	65	130	195	260	326
93 ~ 94	6	12	19	25	31	38	44	51	57	63	127	191	255	319
95 ~ 96	6	12	18	25	31	37	43	50	56	62	125	187	250	312
97 ~ 98	6	12	18	24	30	36	42	48	55	61	122	183	244	306
99 ~ 100	6	12	18	24	30	36	42	48	54	60	120	180	240	300
101 ~ 102	5	11	17	23	29	35	41	47	52	58	117	176	235	294
103 ~ 104	5	11	17	23	28	34	40	46	51	57	115	173	230	288
105 ~ 106	5	11	16	22	28	33	39	45	50	56	113	169	226	283
107 ~ 108	5	11	16	22	27	33	38	44	50	55	111	166	222	277
109 ~ 110	5	10	16	21	27	32	38	43	49	54	109	163	218	272
111 ~ 112	5	10	16	21	26	32	37	42	48	53	107	160	214	267
113 ~ 114	5	10	15	21	26	31	36	42	47	52	105	157	210	263
115 ~ 116	5	10	15	20	25	31	36	41	46	51	103	155	206	258
117 ~ 118	5	10	15	20	25	30	35	40	45	50	101	152	203	254
119 ~ 120	5	10	15	20	25	30	35	40	45	50	100	150	200	250
121 ~ 122	4	9	14	19	24	29	34	39	44	49	98	147	196	245
123 ~ 124	4	9	14	19	24	29	33	38	43	48	96	145	193	241
125 ~ 126	4	9	14	19	23	28	33	38	42	47	95	142	190	238
127 ~ 129	4	9	13	18	23	27	32	37	41	46	93	139	186	232
130 ~ 132	4	9	13	18	22	27	31	36	40	45	90	136	181	227
133 ~ 135	4	8	13	17	22	26	31	35	40	44	88	133	177	222
136 ~ 138	4	8	13	17	21	26	30	34	39	43	86	130	173	217
139 ~ 141	4	8	12	17	21	25	29	34	38	42	85	127	170	212
142 ~ 144	4	8	12	16	20	25	29	33	37	41	83	125	166	208
145 ~ 147	4	8	12	16	20	24	28	32	36	40	81	122	163	204
148 ~ 150	4	8	12	16	20	24	28	32	36	40	80	120	160	200
151 ~ 153	3	7	11	15	19	23	27	31	35	39	78	117	156	196
154 ~ 156	3	7	11	15	19	23	26	30	34	38	76	115	153	192
157 ~ 159	3	7	11	15	18	22	26	30	33	37	75	113	150	188
160 ~ 162	3	7	11	14	18	22	25	29	33	37	74	111	148	185
163 ~ 165	3	7	10	14	18	21	25	29	32	36	72	109	145	181
166 ~ 168	3	7	10	14	17	21	25	28	32	35	71	107	142	178
169 ~ 172	3	6	10	13	17	20	24	27	31	34	69	104	139	174
173 ~ 176	3	6	10	13	17	20	23	27	30	34	68	102	136	170
177 ~ 180	3	6	10	13	16	20	23	26	30	33	66	100	133	166
181 ~ 184	3	6	9	13	16	19	22	26	29	32	65	97	130	163
185 ~ 188	3	6	9	12	15	19	22	25	28	31	63	95	127	159
189 ~ 192	3	6	9	12	15	18	21	25	28	31	62	93	125	156
193 ~ 196	3	6	9	12	15	18	21	24	27	30	61	91	122	153
197 ~ 200	3	6	9	12	15	18	21	24	27	30	60	90	120	150
201 ~ 204	2	5	8	11	14	17	20	23	26	29	58	88	117	147
205 ~ 209	2	5	8	11	14	17	20	22	25	28	57	86	114	143

## IMPORTANT

The wires in this mains lead are coloured in accordance with the following code :

BLUE -NEUTRAL

BROWN -LIVE

NOTE. As the colours of the mains lead of this appliance may not correspond with the coloured markings identifying the terminals in your plug, proceed as follows :

Connect BROWN wire to terminal marked L or coloured RED.

Connect BLUE wire to terminal marked N or coloured BLACK.

WHEN USING A B.S. 1363 FUSED PLUG A 3 AMP. FUSE MUST BE FITTED.

If the terminals of the plug are unmarked consult a qualified electrician before use.

Model	Power Source
KH910/KH950/KH950i	AC(～) 240V 50HZ 40W
KH930/KH940	AC(～) 240V 50HZ 25W
KG88/89/88 II/89 II/93	AC(～) 240V 50HZ 20W
KE100	AC(～) 240V 50HZ 200W
PPD110/PPD120	AC(～) 240V 50HZ 3W
CK35	
Knitting Machine	AC(～) 240V 50HZ 40W
Motor Drive Unit	AC(～) 240V 50HZ 200W
KH270/KH900 /KH965	AC(～) 240V 50HZ 7W

## IMPORTANT

When leaving the machine or when servicing or changing mechanical parts or accessories, the machine or set must be disconnected from the supply by removing the plug from the socket-outlet.

Before removing AC line cord or when unit is not in use always disconnect mains plug from wall socket.

To prevent electric shock DO NOT remove cover, NO user servicable parts inside. Refer servicing to qualified service personnel.

This product is manufactured to comply with the radio interference requirements of EEC directive.

87/308/EEC.

411167001-⑧

