



## ***PARTS CATALOGUE FOR KG-95***

*Note: Parts not marked are the same as those of KG-93 and KG-89II.*

*Note: Parts marked "\*" are the same as those of KG-93.*

*Note: Parts marked "# " are the same as those of KG-89II.*

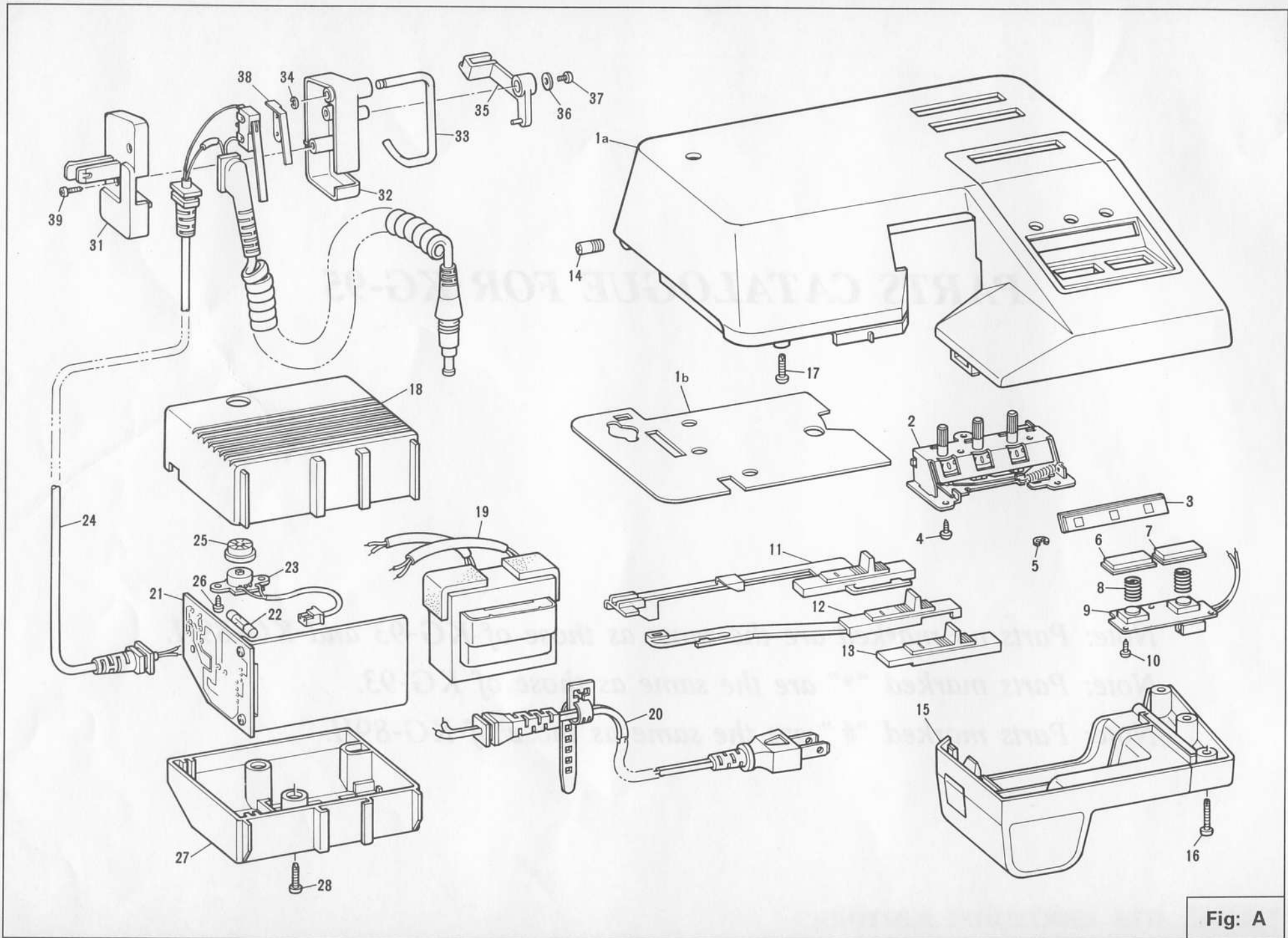
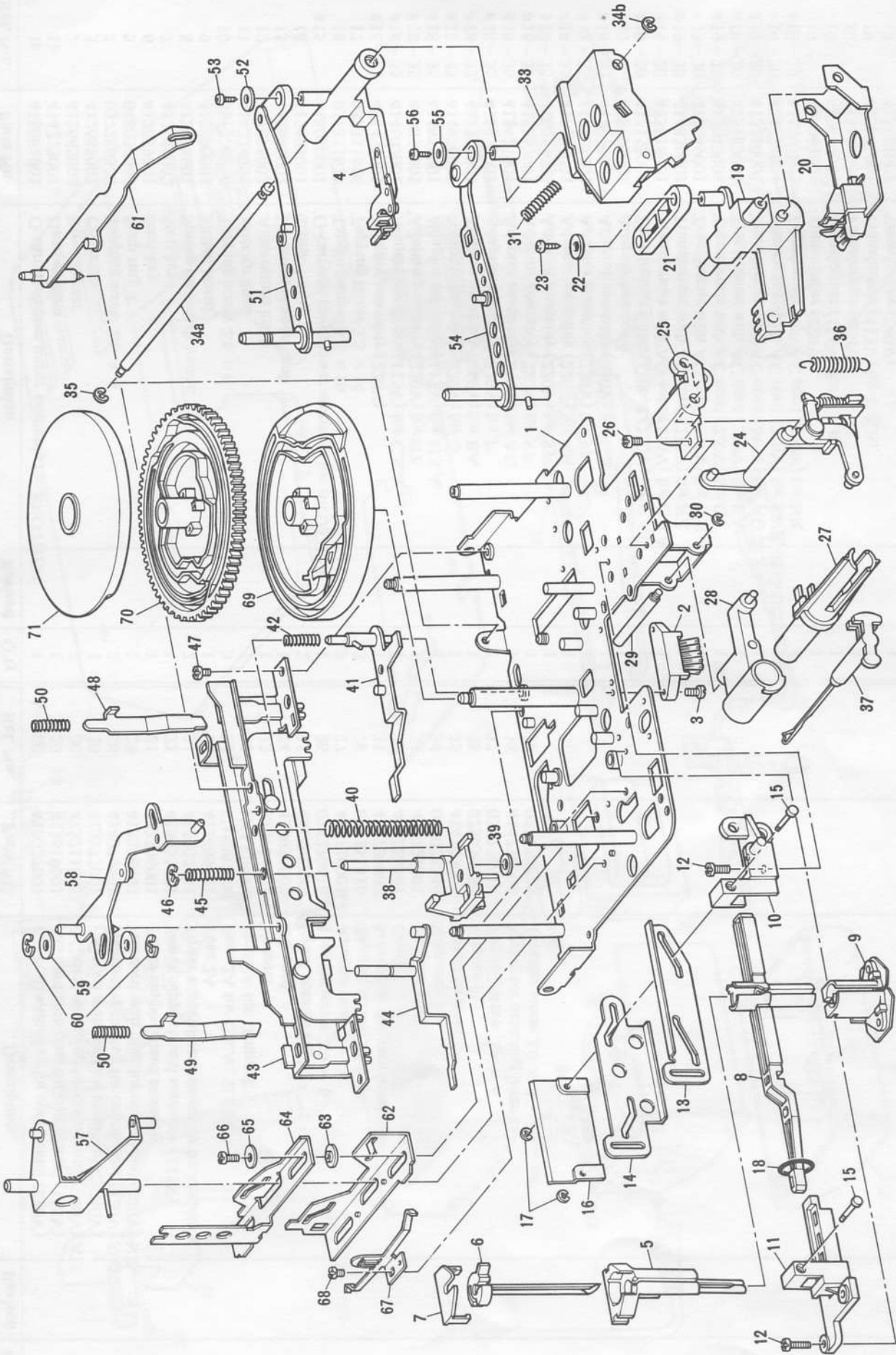


Fig: A

Ref. No.	Parts No.	Description	Revised	Q'ty	Ref. No.	Parts No.	Description	Revised	Q'ty
A- 1a	418061001	G-carriage cover upper assembly for BROTHER		1	A- 20	413027001	AC cord with plug for continental (220V)		1
1b	414223001	Damper plate		1	20	413619001	AC cord with plug for continental (115V)		1
2	412665002	Row counter		1	20	413211001	AC cord with plug for continental (240V) AU		1
3	412688002	Cover		1	20	413177001	AC cord with plug for continental (240V)		1
4	037280616	Tapping screw 2.6 × 6		3	20	414279001	AC cord with plug for continental (220V) SWE		1
5	048030346	Snap ring 3		1	20	415879001	AC cord with plug for continental (220V) NR		1
6	412689001	Start key		1	21	412706001	Power supply board assembly		1
7	412689002	Stop key		1	21	413055001	Power supply board assembly (115V)		1
8	412868001	Spring for switch button		2	21	413702001	Power supply board assembly for Denmark		1
9	412690001	Switch board		1	22	412409001	Fuse 2A		1
10	037270616	Tapping screw 2.6 × 6		3	22	U15083000	Fuse 2A for C.S.A., U.S.A.		1
11	414224001	Selector knob		1	22	U15318000	Fuse 2A for Denmark		1
12	412695002	Auto-return knob		1	23	412714001	Volume		1
13	412696002	Direction change knob		1	24	413036002	DC cord		1
14	412699001	Screw		2	25	U03202002	Speed control knob		1
#15	418040001	G-carriage cover lower assembly for BROTHER		1	26	037270616	Tapping screw 2.6 × 6		2
16	037351615	Tapping screw 3.5 × 16		3	27	412726001	Adaptor box		1
17	037351416	Tapping screw 3.5 × 14		3	28	037351416	Tapping screw 3.5 × 14		3
#18 ~ 35	414435001	Adaptor assembly (220V)		1	31	412720002	Sensor box for yarn breakage		1
#18 ~ 35	414602001	Adaptor assembly (115V) for C.S.A.		1	32	414228001	Cover		1
#18 ~ 35	414834001	Adaptor assembly (230V) for NZ		1	33	412722001	Detecting bar		1
#18 ~ 35	414857001	Adaptor assembly (117V) for U.S.A.		1	34	048025346	Snap ring 2.5		1
#18 ~ 35	414976001	Adaptor assembly (220V) for G		1	35	414229001	Detecting lever		1
#18 ~ 35	415345001	Adaptor assembly (240V) for EA		1	36	025030234	Washer 3		1
#18 ~ 35	415419001	Adaptor assembly (220V) for F		1	37	037270614	Tapping screw 2.6 × 6		1
#18 ~ 35	415421001	Adaptor assembly (240V) for AU		1	38	414230001	Spring for detecting lever		1
#18 ~ 35	415867001	Adaptor assembly (220V) for SW		1	39	037270816	Tapping screw 2.6 × 8		2
#18 ~ 35	416053001	Adaptor assembly (220V) for SWE		1					
#18 ~ 35	416574001	Adaptor assembly (220V) for NR		1					
#18 ~ 35	417227001	Adaptor assembly (220V) for FI		1					
#18 ~ 35	417919001	Adaptor assembly (240V) for U.K.		1					
#18	412702001	Adaptor box cover		1					
#19 ~ 20	413152001	Transformer with AC cord (220V) for F, SW		1					
#19 ~ 20	413618001	Transformer with AC cord (115V) for C.S.A.		1					
#19 ~ 20	414836001	Transformer with AC cord (230V) for NZ		1					
#19 ~ 20	413049001	Transformer with AC cord (117V) for U.S.A.		1					
#19 ~ 20	413040001	Transformer with AC cord (220V) for G		1					
#19 ~ 20	413180001	Transformer with AC cord (240V) for EA		1					
#19 ~ 20	413210001	Transformer with AC cord (240V) for AU		1					
#19 ~ 20	414276001	Transformer with AC cord (220V) for SWE, FI		1					
#19 ~ 20	415893001	Transformer with AC cord (220V) for NR		1					
19	413041001	Transformer (220V)		1					
19	413689001	Transformer (115V) for C.S.A.		1					
19	413184001	Transformer (230V)		1					
19	413050001	Transformer (117V) for U.S.A.		1					
19	413181001	Transformer (240V)		1					
19	414277001	Transformer (220V) for SWE, FI		1					
19	415890001	Transformer (220V) for NR		1					
19	415345001	Transformer (240V) for U.K.		1					

Fig: B-1





Ref. No.	Parts No.	Description	Revised	Q'ty	Ref. No.	Parts No.	Description	Revised	Q'ty
B-I- 1	413085001	G-carriage plate		1	B-I- 48	412514001	Change palte R for auto-return		1
2	414264001	Latch stopper brush		1	49	412863001	Change plate L for auto-return		1
3	060660606	+ - Screw 3.18 × 6		2	50	412515001	Spring for change plate		2
4	412447001	Arm for needle operation		1	51	412565001	Knitting needle operation lever		1
5~7	412516002	Yarn feeder assembly		1	52	025660336	Washer 3.18		1
5	412751002	Yarn feeder		1	53	037270816	Tapping screw 2.6 × 8		1
6	412752002	Yarn feeder lever		1	54	412574001	Operation lever for G-needle		1
7	412521002	Yarn feeder cover		1	55	025660336	Washer 3.18		1
8	412522001	Yarn feeder holder		1	56	037270816	Tapping screw 2.6 × 8		1
9	412525001	Latch presser plate		1	57	412577001	Yarn feeder change plate		1
10	412528001	Yarn feeder holder bracket, R		1	58	412588001	Latch presser lever		1
11	412529001	Yarn feeder holder bracket, L		1	59	025050236	Washer 5		2
12	060660606	+ - Screw 3.18 × 6		5	60	048040346	Snap ring 4		2
13	412530001	Yarn feeder change cam		1	61	412593001	Tilting lever for G-needle		1
14	412531001	Latch presser plate change cam		1	62	412597001	Pattern selector cam		1
15	412532001	Stud		2	63	412598001	Collar		2
16	412753001	Washer		1	64	412599001	Yarn feeder change cam		1
17	048020346	Snap ring 2		2	65	025660336	Washer 3.18		2
18	081009070	O ring P9		1	66	060660606	+ - Screw 3.18 × 6		2
19	412534001	Pitch adjuster		1	67	412600001	Yarn feeder change cam spring		1
20	418033001	Needle guide arm		1	68	412048006	+ - Screw 3.18 × 3		1
21	412539000	Link for pitch adjuster		1	69	412601100	G-carriage feeding cam		1
22	025660336	Washer 3.18		1	70	412602000	G-needle operation cam		1
23	037270816	Tapping screw 2.6 × 8		1	71	412603100	G-needle tilting cam		1
24	418035001	Swing arm for G-needle		1					
25	412549000	Operation arm for G-needle		1					
26	060660606	+ - Screw 3.18 × 6		2					
27	412551001	Socket for G-needle		1					
28	412554001	Arm for socket		1					
29	412557001	Stud		1					
30	048020346	Snap ring 2		1					
31	418099001	Operation arm spring for G-needle		1					
33	412558001	Operation arm for G-needle		1					
34a	412562001	Operation shaft for G-needle		1					
34b	048025346	Snap ring 2.5		1					
35	048025346	Snap ring 2.5		1					
36	413007001	Spring		1					
37	412563002	G-needle		1					
38	412474001	Reader for needle selection		1					
39	412750001	Rubber washer		1					
40	412477001	Reader spring		1					
41	412478001	Change lever for stitch		1					
42	412483001	Spring for change lever		1					
43~46	414211001	Step feeder for G-carriage		1					
43	414231001	Step feeder		1					
44	412509001	Casting-off lever		1					
45	412513001	Spring for casting-off lever		1					
46	048040346	Snap ring 4		1					
47	412048006	+ - Screw 3.18 × 3		2					

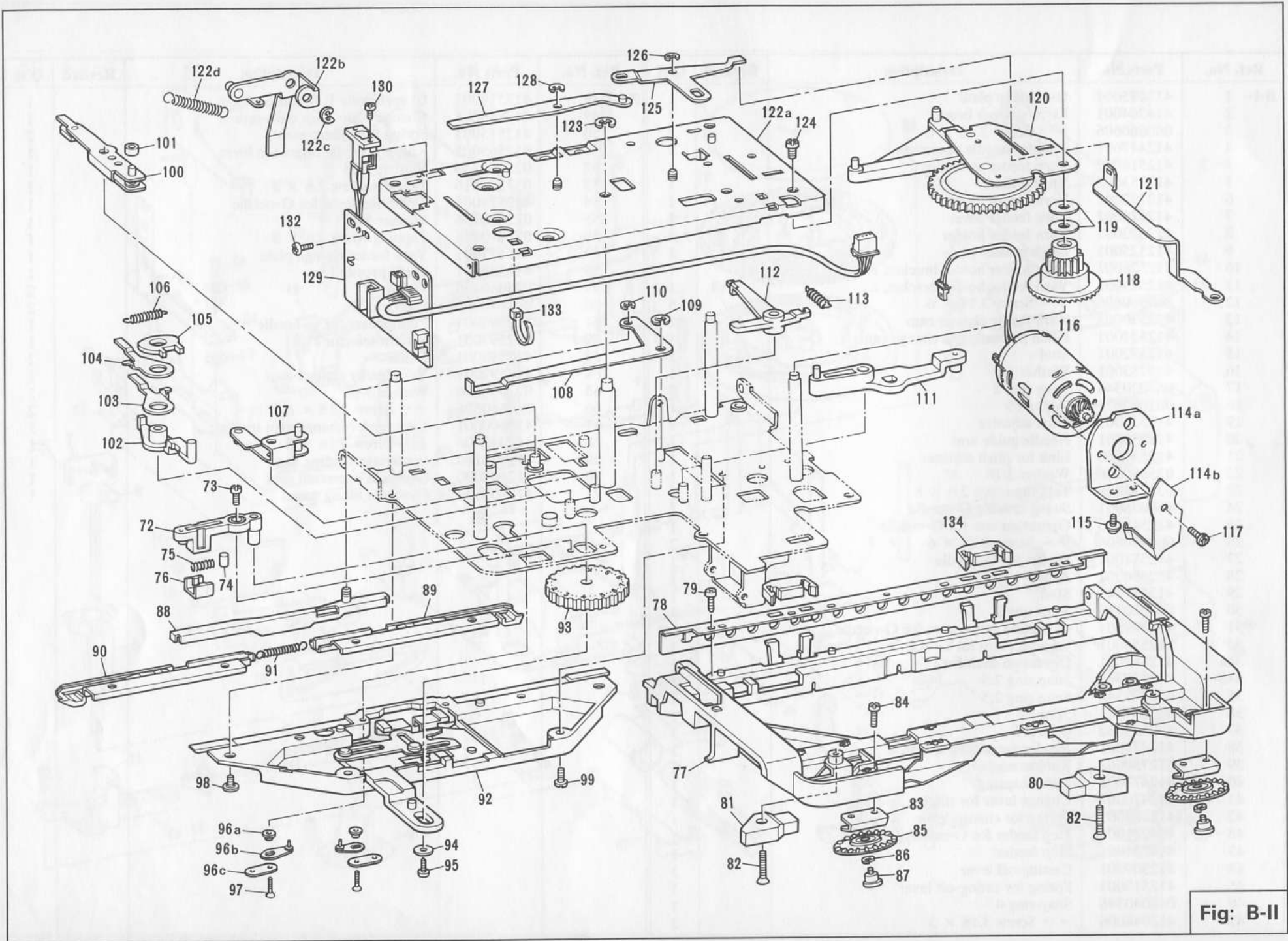


Fig: B-II

Ref. No.	Parts No.	Description	Revised	Q'ty	Ref. No.	Parts No.	Description	Revised	Q'ty
B-II- 72	412747000	Stitch dial lever		1	B-II-118	412608000	Bevel gear Z50		1
73	060660506	+ - Screw 3.18 × 5		1	119	412609000	Washer		1
74	412748001	Roller		1	120	412610001	Gear mount assembly		1
75	412463001	Stitch dial spring		1	121	412638000	Row counter connecting plate		1
76	412749000	Cover		1	122a	414214001	G-carriage upper plate		1
77~78	412624103	G-carriage foot assembly		1	122b	414217001	Change lever for casting-on		1
77	412700103	G-carriage foot		1	122c	048030346	Snap ring 3		1
78	412627001	Rear side plate		1	122d	414220001	Change lever spring for casting-on		1
79	037300816	Tapping screw 3 × 8		5	123	048040346	Snap ring 4		4
80	407454000	Magnet R		1	124	412048006	+ - Screw 3.18 × 3		3
81	407578000	Magnet L		1	125	412639000	Direction change lever		1
82	040321615	Tapping screw 3 × 16		2	126	048030346	Snap ring 3		1
83	412992001	Bracket for rubber wheel		2	127	412640001	Direction change lever B		1
84	060660606	+ - Screw 3.18 × 6		4	128	048030346	Snap ring 3		1
85	411573001	Rubber wheel		2	129	413038101	Motor control board		1
86	028030243	Spring washer 2-3		2	130	060630416	+ - Screw 2.38 × 4		2
87	405029001	Stud screw 3.18		2	132	060630416	+ - Screw 2.38 × 4		2
88	412856001	Connecting plate		1	133	547262001	Binder		2
89	412632001	Direction change plate, R		1	134	412785002	Magnet holder assembly		2
90	412860001	Direction change plate, L		1					
91	412862001	Connecting plate spring		1					
92	413895001	Stitch cam guide plate		1					
93	412462003	Stitch dial		1					
94	025030336	Washer 3		1					
95	037270816	Tapping screw 2.6 × 8		1					
96a	413902001	Collar		2					
96b	413899001	Needle guide plate		2					
96c	413903001	Needle guide plate presser		2					
97	408297001	Flat head screw 2.38 × 11		2					
98	409494001	Screw 3.57		2					
99	060660606	+ - Screw 3.18 × 6		2					
100	414207001	G-carriage feeding lever		1					
101	412471001	Roller		1					
102	412472000	Direction change lever		1					
103	412426001	Spring hanger plate, lower		1					
104	412427001	Spring hanger plate, upper		1					
105	412428000	Presser plate for spring hanger		1					
106	412473001	Direction change lever spring		1					
107	412484001	Stitch adjuster plate		1					
108	412445000	Change lever for yarn feeder		1					
109	048040346	Snap ring 4		1					
110	048030346	Snap ring 3		1					
111	412489001	Pitch adjuster lever		1					
112	412492000	Retainer for reader		1					
113	412493001	Spring for retainer		1					
114	413086001	DC motor bracket		1					
115	406397001	Screw with washer 3.18 × 5		2					
116	412604001	DC motor RS-545		1					
117	060300506	+ - Screw 3.18 × 5		2					

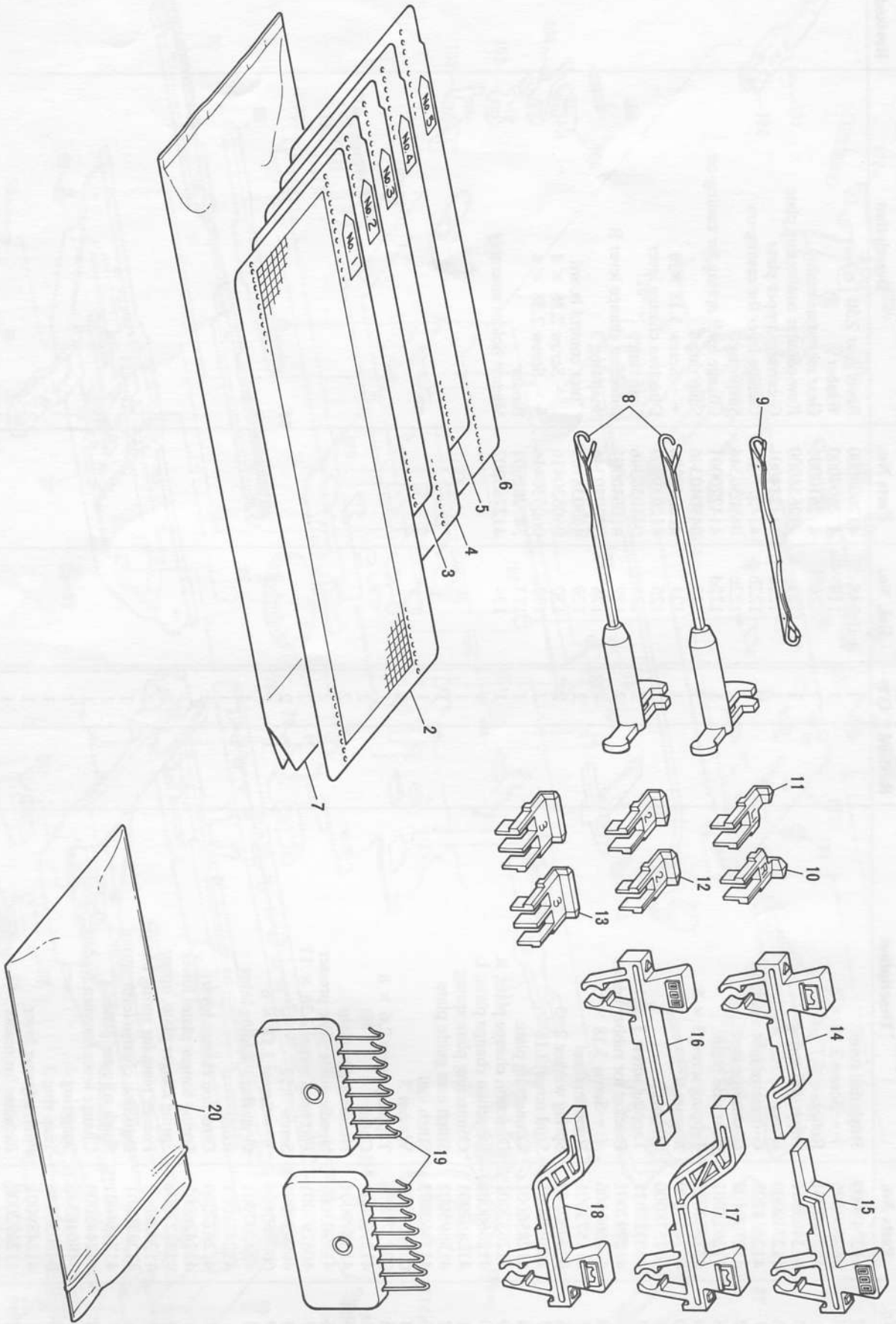


Fig: C



Ref. No.	Parts No.	Description	Revised	Q'ty	Ref. No.	Parts No.	Description	Revised	Q'ty
#C- 2~7	413056001	Punch card set		1					
8	412563002	G-needle		5					
9	412797001	Double latch tool		1					
10	413003001	G-point cam R1		1					
11	413004001	G-point cam L1		1					
12	412765001	G-point cam 2		2					
13	412766001	G-point cam 3		2					
#14	412414003	Knit-leader tripper A		1					
#15	412415003	Row counter tripper A		1					
*16	412417002	Row counter tripper B		1					
*17	412416002	Knit-leader tripper B		1					
#18	412779001	Row counter/Knit-leader tripper		1					
19	412767002	Weight for stitch increasing		2					
20	412888000	Accessories bag		1					

**BROTHER INDUSTRIES, LTD.** Printed in Japan  
K3015100

The part No. is subject to change without notice.