



PARTS CATALOGUE FOR KG-88II/89II/93

Note: Parts marked with “○” are those of KG93, KG88II & 89II and not interchangeable with other model.

Parts marked with “” are the same as those of KG93.*

Parts marked with “-” are not included in the KG88II, 89II or KG93.

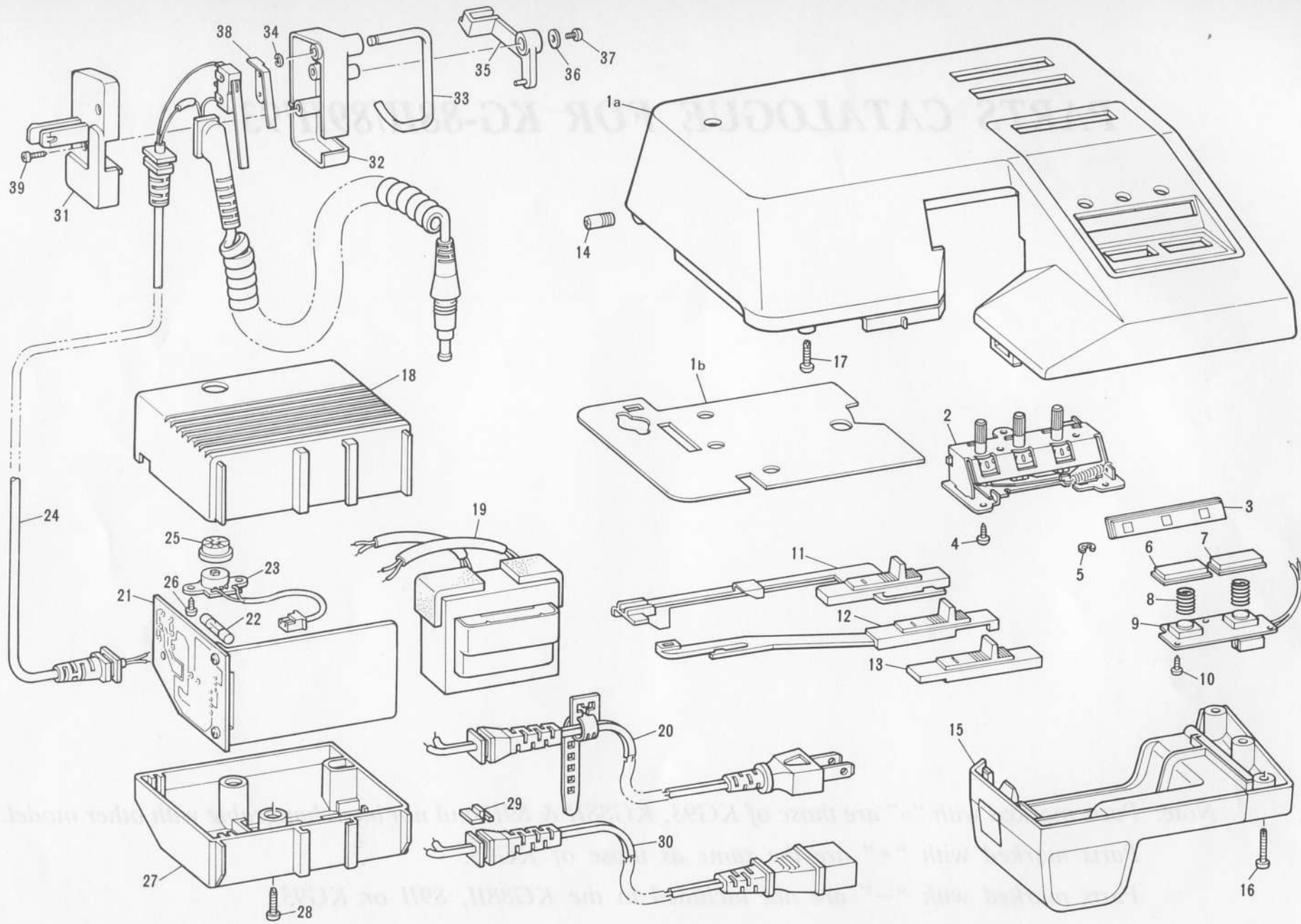


Fig: A

Ref. No.	Parts No. for KG-93	Description	Q'ty	Parts No.	
				KG-88II	KG-89II
A- 1a	414265001	G-carriage cover upper assembly for BROTHER	1	*	*
○ 1b	414223001	Damper plate	1	*	*
2	412665002	Row counter	1	*	*
3	412688002	Cover	1	*	*
4	037280616	Tapping screw 2.6 × 6	3	*	*
5	048030346	Snap ring 3	1	*	*
6	412689001	Start key	1	*	*
7	412689002	Stop key	1	*	*
8	412868001	Spring for switch button	2	*	*
9	412690001	Switch board	1	*	*
10	037270616	Tapping screw 2.6 × 6	3	*	*
○ 11	414224001	Selector Knob	1	*	*
12	412695002	Auto-return Knob	1	*	*
13	412696002	Direction change Knob	1	*	*
14	412699002	Screw	2	*	*
15	414268001	G-carriage cover lower assembly for BROTHER	1	414437001	414433001
16	037351615	Tapping screw 3.5 × 16	3	*	*
17	037351416	Tapping screw 3.5 × 14	3	*	*
○ 18~35	414225001	Adaptor assembly (220V)	1	414439001	414435001
	414632001	Adaptor assembly (220V) for Denmark	1	*	*
	414541001	Adaptor assembly (115V)	1	414599001	414602001
	414458001	Adaptor assembly (220V) for F.R.G.	1	*	*
	414614001	Adaptor assembly (230V)	1	*	*
18	412791001	Adaptor box cover	1	412702001	412702001
19~20	414239001	Transformer with AC cord (220V)	1	413152001	413152001
(KG-88II/	414543001	Transformer with AC cord (115V) for U.L.	1	-	-
89II)	414825001	Transformer with AC cord (115V) for C.S.A.	1	413618001	413618001
19,20,30	414460001	Transformer with AC cord (220V) for F.R.G.	1	-	-
(KG-93)	414616001	Transformer with AC cord (230V)	1	-	-
19	413041001	Transformer (220V)	1	*	*
	413051001	Transformer (115V)	1	*	*
	413174001	Transformer (230V)	1	*	*
20	413027001	AC cord with plug for Continental-220V	1	*	*
	413052002	AC cord with plug for U.L.-115V	1	*	*
	413619001	AC cord with plug for C.S.A.-115V	1	*	*
21	412706001	Power supply board assembly	1	*	*
	413055001	Power supply board assembly for U.L., C.S.A.	1	*	*
	413702001	Power supply board assembly for Denmark	1	*	*
22	412409001	Fuse 2A	1	*	*
	U15083000	Fuse 2A for U.L., C.S.A.	1	*	*
	U15318000	Fuse 2A for Denmark	1	*	*
23	412714001	Volume	1	*	*
24	413036002	DC cord	1	413032002	413036002
25	U03202002	Speed control Knob	1	*	*
26	037270616	Tapping screw 2.6 × 6	2	*	*
27	412726001	Adaptor box	1	*	*
28	037351416	Tapping screw 3.5 × 14	3	*	*
29	412793001	Cord spacer	1	-	-
30	414215001	AC cord for KH930 (220V)	1	-	-
	414484001	AC cord for KH930 (U.L.-115V)	1	-	-
	414240001	AC cord for KH930 (C.S.A.-115V)	1	-	-
	414617001	AC cord for KH930 (230V)	1	-	-
○ 31	412720002	Sensor box for yarn breakage	1	*	*
○ 32	414228001	Cover	1	*	*
33	412722001	Detecting bar	1	*	*
34	048025346	Snap ring 2.5	1	*	*
○ 35	414229001	Detecting lever	1	*	*
○ 36	025030234	Washer 3	1	*	*
○ 37	037270614	Tapping screw 2.6 × 4	1	*	*
○ 38	414230001	Spring for detecting lever	1	*	*
○ 39	037270816	Tapping screw 2.6 × 8	2	*	*

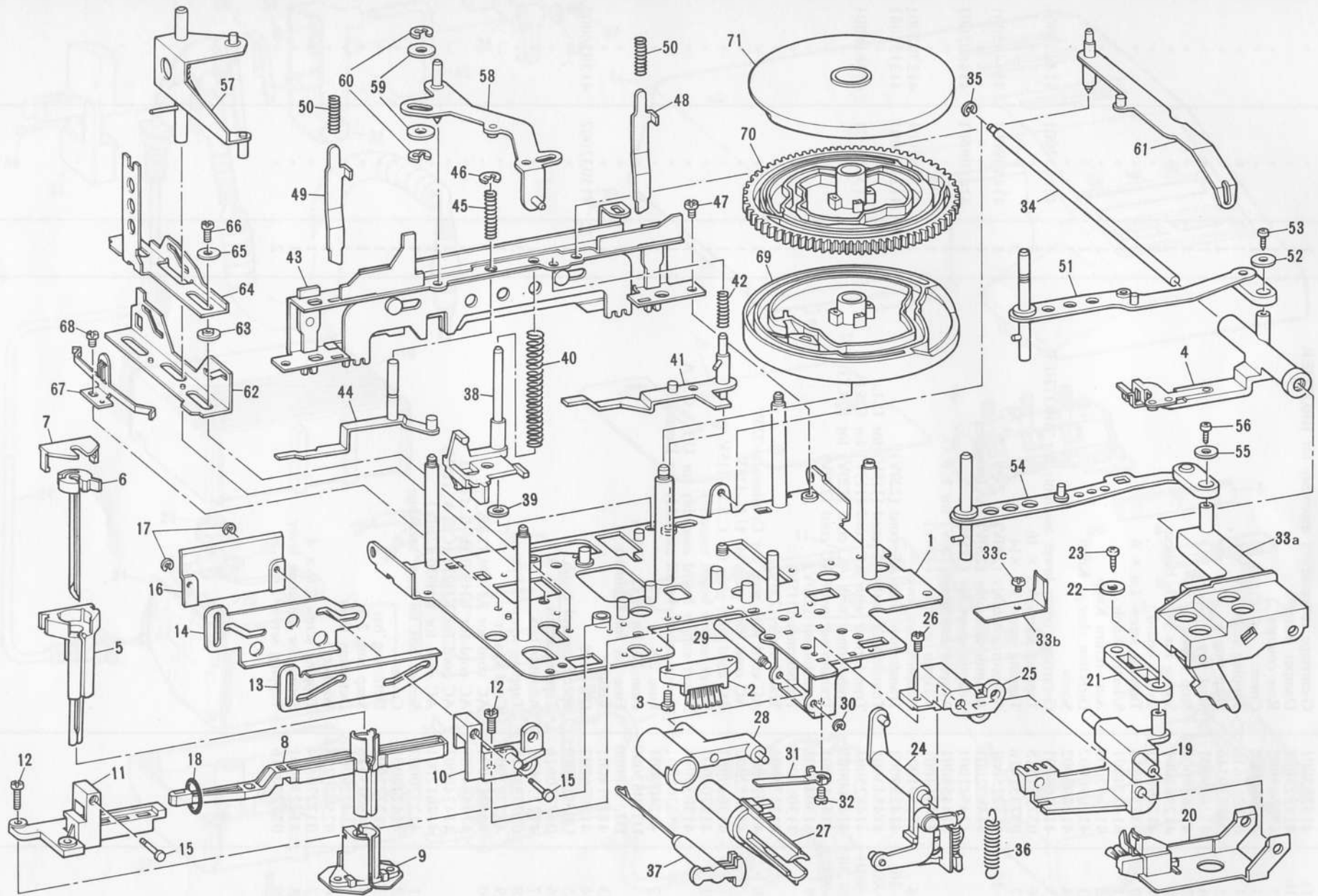


Fig: B-I

Ref. No.	Parts No. for KG-93	Description	Q'ty	Parts No.	
				KG-88II	KG-89II
B-I- 1	413085001	G-carriage plate	1	*	*
2	414264001	Latch stopper brush	1	*	*
3	060660606	+ - Screw 3.18 × 6	2	*	*
4	412447001	Arm for needle operation	1	*	*
5~7	412516002	Yarn feeder assembly	1	*	*
5	412751002	Yarn feeder	1	*	*
6	412752002	Yarn feeder lever	1	*	*
7	412521002	Yarn feeder cover	1	*	*
8	412522001	Yarn feeder holder	1	*	*
9	412525001	Latch presser plate	1	*	*
10	412528001	Yarn feeder holder bracket, R	1	*	*
11	412529001	Yarn feeder holder bracket, L	1	*	*
12	060660606	+ - Screw 3.18 × 6	5	*	*
13	412530001	Yarn feeder change cam	1	*	*
14	412531001	Latch presser plate change cam	1	*	*
15	412532001	Stud	2	*	*
16	412753001	Washer	1	*	*
17	048020346	Snap ring 2	2	*	*
18	081009070	O ring P9	1	*	*
19	412534001	Pitch adjuster	1	*	*
20	414272001	Needle guide arm	1	*	*
21	412539000	Link for pitch adjuster	1	*	*
22	025660336	Washer 3.18	1	*	*
23	037270816	Tapping screw 2.6 × 8	1	*	*
24	412540001	Swing arm for G-needle	1	*	*
25	412549000	Operation arm for G-needle	1	*	*
26	060660606	+ - Screw 3.18 × 6	2	*	*
27	412551001	Socket for G-needle	1	*	*
28	412554001	Arm for socket	1	*	*
29	412557001	Stud	1	*	*
30	048020346	Snap ring 2	1	*	*
31	412754001	Spring for G-needle socket	1	*	*
32	412048006	+ - Screw 3.18 × 3	1	*	*
33	412558001	Operation arm for G-needle	1	*	*
34	412562001	Operation shaft for G-needle	1	*	*
35	048025346	Snap ring 2.5	1	*	*
36	413007001	Spring	1	*	*
37	412563002	G-needle	1	*	*
38	412474001	Reader for needle selection	1	*	*
39	412750001	Rubber washer	1	*	*
40	412477001	Reader spring	1	*	*
41	412478001	Change lever for stitch	1	*	*
42	412483001	Spring for change lever	1	*	*
43~46	414211001	Step feeder for G-carriage	1	414232001	414211001
43	414231001	Step feeder	1	414233001	414231001
44	412509001	Casting-off lever	1	*	*
45	412513001	Spring for casting-off lever	1	*	*
46	048040346	Snap ring 4	1	*	*
47	412048006	+ - Screw 3.18 × 3	2	*	*
48	412514001	Change plate R for auto-return	1	*	*
49	412863001	Change plate L for auto-return	1	*	*
50	412515001	Spring for change plate	2	*	*
51	412565001	Knitting needle operation lever	1	*	*
52	025660336	Washer	1	*	*
53	037270816	Tapping screw 2.6 × 8	1	*	*
54	412574001	Operation lever for G-needle	1	*	*
55	025660336	Washer 3.18	1	*	*
56	037270816	Tapping screw 2.6 × 8	1	*	*
57	412577001	Yarn feeder change plate	1	*	*
58	412588001	Latch presser lever	1	*	*
59	025050236	Washer 5	2	*	*
60	048040346	Snap ring 4	2	*	*
61	412593001	Tilting lever for G-needle	1	*	*
62	412597001	Pattern selector cam	1	*	*
63	412598001	Collar	2	*	*
64	412599001	Yarn feeder change cam	1	*	*
65	025660336	Washer 3.18	2	*	*
66	060660606	+ - Screw 3.18 × 6	2	*	*
67	412600001	Yarn feeder change cam spring	1	*	*
68	412048006	+ - Screw 3.18 × 3	1	*	*
69	412601000	G-carriage feeding cam	1	*	*
70	412602000	G-needle operation cam	1	*	*
71	412603000	G-needle tilting cam	1	*	*

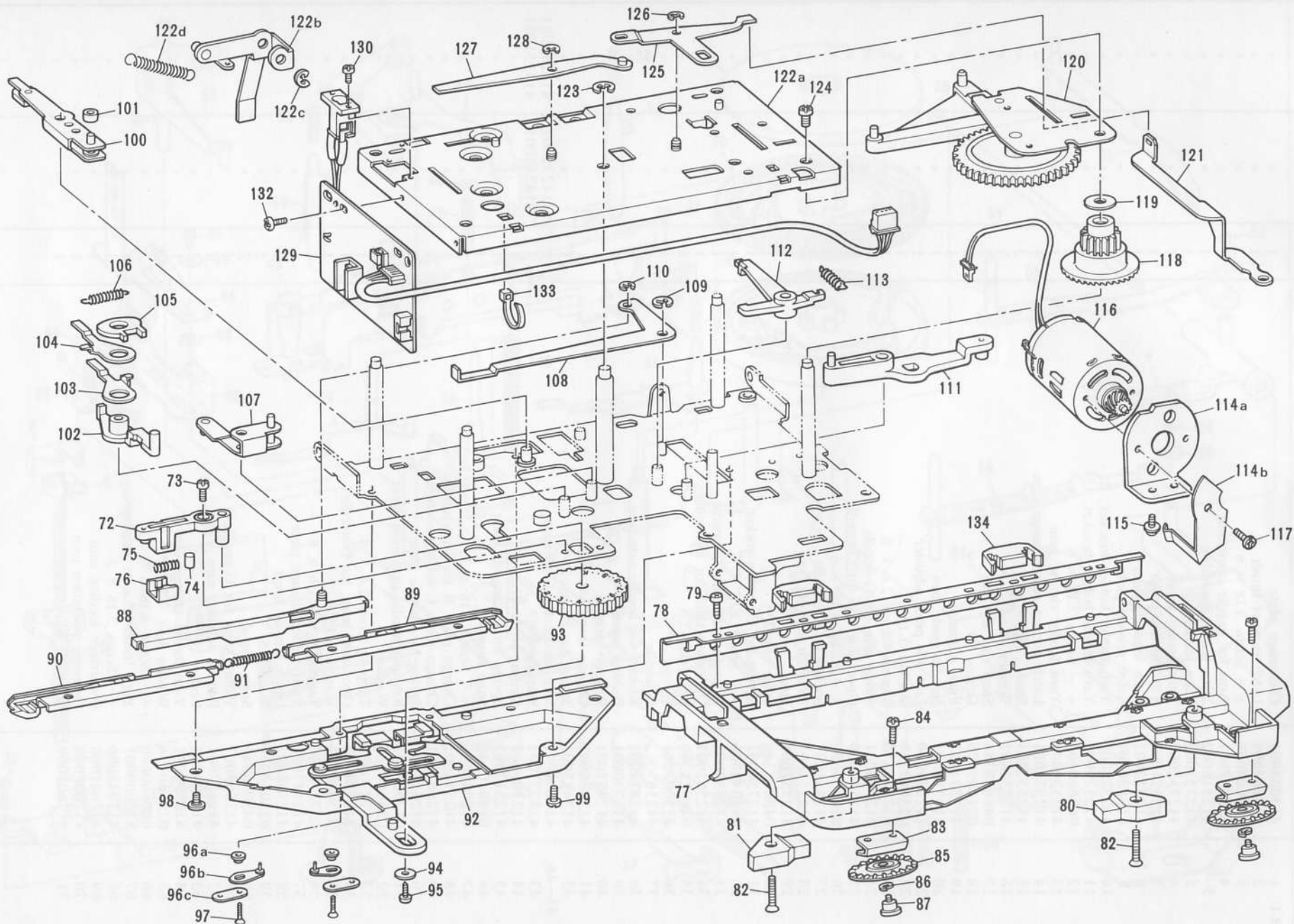
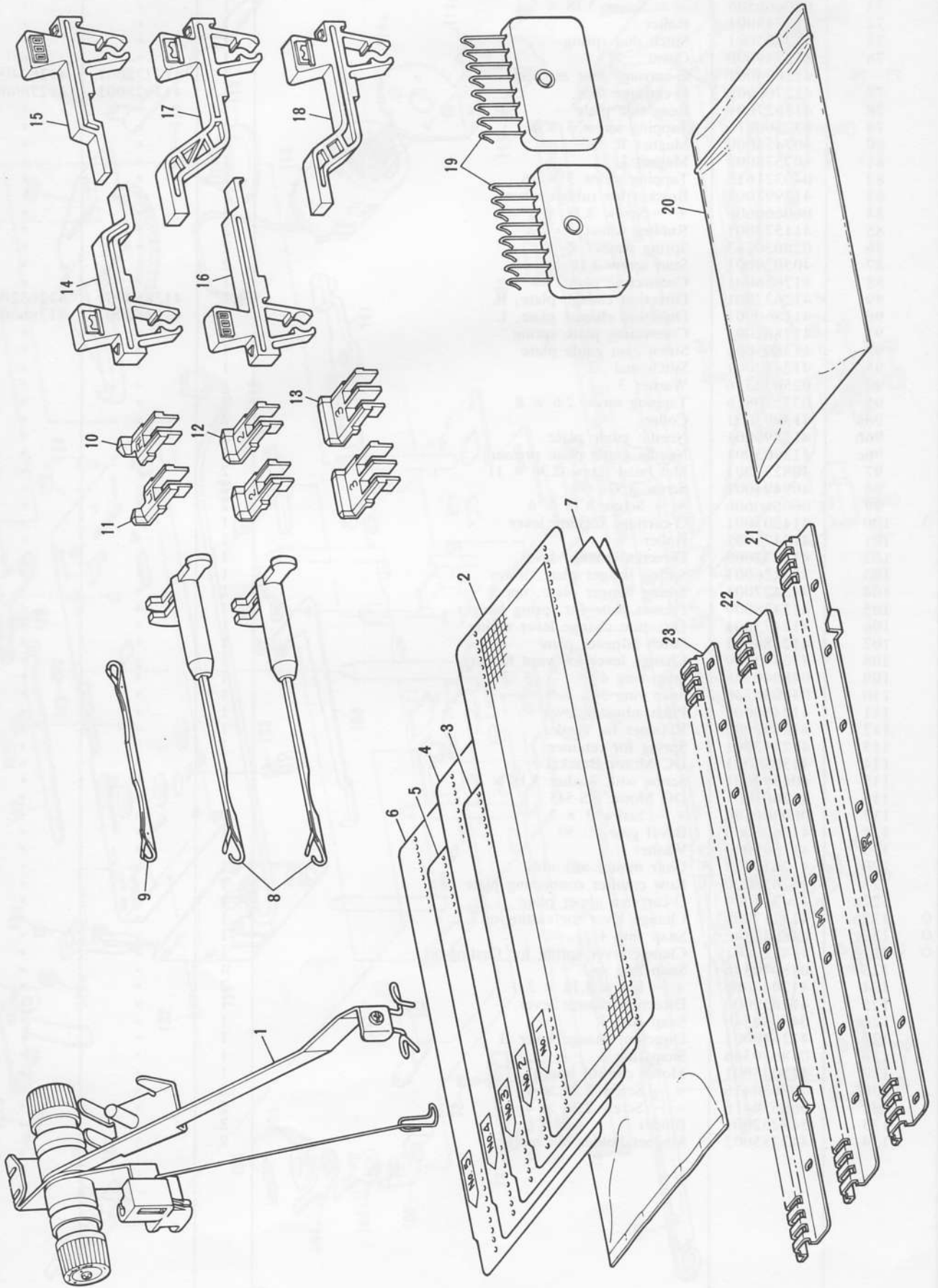


Fig: B-II

Ref. No.	Parts No. for KG-93	Description	Q'ty	Parts No.	
				KG-88II	KG-89II
B-II-72	412747000	Stitch dial lever	1	*	*
73	060660506	+ - Screw 3.18 × 5	1	*	*
74	412748001	Roller	1	*	*
75	412463001	Stitch dial spring	1	*	*
76	412749000	Cover	1	*	*
77~78	412624001	G-carriage foot assembly	1	412775001	412624001
77	412700001	G-carriage foot	1	413028001	412700001
78	412627001	Rear side plate	1	*	*
79	037300816	Tapping screw 3 × 8	5	*	*
80	407454000	Magnet R	1	*	*
81	407578000	Magnet L	1	*	*
82	040321615	Tapping screw 3 × 16	2	*	*
83	412992001	Bracket for rubber wheel	2	*	*
84	060660606	+ - Screw 3.18 × 6	4	*	*
85	411573001	Rubber wheel	2	*	*
86	028030243	Spring washer 2-3	2	*	*
87	405029001	Stud screw 3.18	2	*	*
88	412856001	Connecting plate	1	*	*
89	412632001	Direction change plate, R	1	412864001	412632001
90	412860001	Direction change plate, L	1	412866001	412860001
91	412862001	Connecting plate spring	1	*	*
92	413895001	Stitch cam guide plate	1	*	*
93	412462001	Stitch dial	1	*	*
94	025030336	Washer 3	1	*	*
95	037270816	Tapping screw 2.6 × 8	1	*	*
96a	413902001	Collar	2	*	*
96b	413899001	Needle guide plate	2	*	*
96c	413903001	Needle guide plate presser	2	*	*
97	408297001	Flat head screw 2.38 × 11	2	*	*
98	409494001	Screw 3.57	2	*	*
99	060660606	+ - Screw 3.18 × 6	2	*	*
○ 100	414207001	G-carriage feeding lever	1	*	*
101	412471001	Roller	1	*	*
102	412472000	Direction change lever	1	*	*
103	412426001	Spring hanger plate, lower	1	*	*
104	412427001	Spring hanger plate, upper	1	*	*
105	412428000	Presser plate for spring hanger	1	*	*
106	412473001	Direction change lever spring	1	*	*
107	412484001	Stitch adjuster plate	1	*	*
108	412445000	Change lever for yarn feeder	1	*	*
109	048040346	Snap ring 4	1	*	*
110	048030346	Snap ring 3	1	*	*
111	412489001	Pitch adjuster lever	1	*	*
112	412492000	Retainer for reader	1	*	*
113	412493001	Spring for retainer	1	*	*
114	413086001	DC Motor Bracket	1	*	*
115	406397001	Screw with washer 3.18 × 5	2	*	*
116	412604001	DC Motor RS-545	1	*	*
117	060300506	+ - Screw 3 × 5	2	*	*
118	412608000	Bevel gear Z: 50	1	*	*
119	412609000	Washer	1	*	*
120	412610001	Gear mount assembly	1	*	*
121	412638000	Row counter connecting plate	1	*	*
122a	414214001	G-carriage upper plate	1	*	*
○ 122b	414217001	Change lever for casting-on	1	*	*
○ 122c	048040346	Snap ring 4	1	*	*
○ 122d	414220001	Change lever spring for Casting-on	1	*	*
123	048040346	Snap ring 4	4	*	*
124	412048006	+ - Screw 3.18 × 3	3	*	*
125	412639000	Direction change lever	1	*	*
126	048030346	Snap ring 3	1	*	*
127	412640001	Direction change lever B	1	*	*
128	048030346	Snap ring 3	1	*	*
129	413038001	Motor control board	1	*	*
130	060630416	+ - Screw 2.38 × 4	2	*	*
132	060630416	+ - Screw 2.38 × 4	2	*	*
133	547262001	Binder	2	*	*
134	412785002	Magnet holder assembly	2	*	*



Ref. No.	Parts No. for KG-93	Description	Q'ty	Parts No.	
				KG-88II	KG-89II
C- 1	-	Yarn tension unit	1	412783001	-
2~7	-	Punch card set	1	413056001	413056001
8	412563002	G-needle	5	*	*
9	412797001	Double latch tool	1	*	*
10	413003001	G-point cam R1	1	413005001	413003001
11	413004001	G-point cam L1	1	413006001	413004001
12	412765001	G-point cam 2	2	412777001	412765001
13	412766001	G-point cam 3	2	412778001	412766001
14	-	Knit-leader tripper A	1	412414001	412414001
15	-	Row counter tripper A	1	412415001	412415001
16	412417002	Row counter tripper B	1	-	-
17	412416002	Knit-leader tripper B	1	-	-
18	-	Row counter/Knit-leader tripper	1	412779001	412779001
19	412767002	Weight for stitch increasing	2	*	*
20	412888000	Accessories bag	1	*	*
21	-	Rack R	1	412999001	-
22	-	Rack M	1	414338001	-
23	-	Rack L	1	413001001	-
B-II-134 C16 & 17	-	Additional parts set for KG88II/KH910M	1	487340002	-
B-II-134 C16	-	Magnet holder for KH910M	2	412785002	-
C17	-	Row counter tripper for KH910M	1	412417002	-
	-	Knit-leader tripper for KH910M	1	412416002	-

MEMO

MEMO

BROTHER INDUSTRIES, LTD. Printed in Japan
K6065061

The part No. is subject to change without notice.