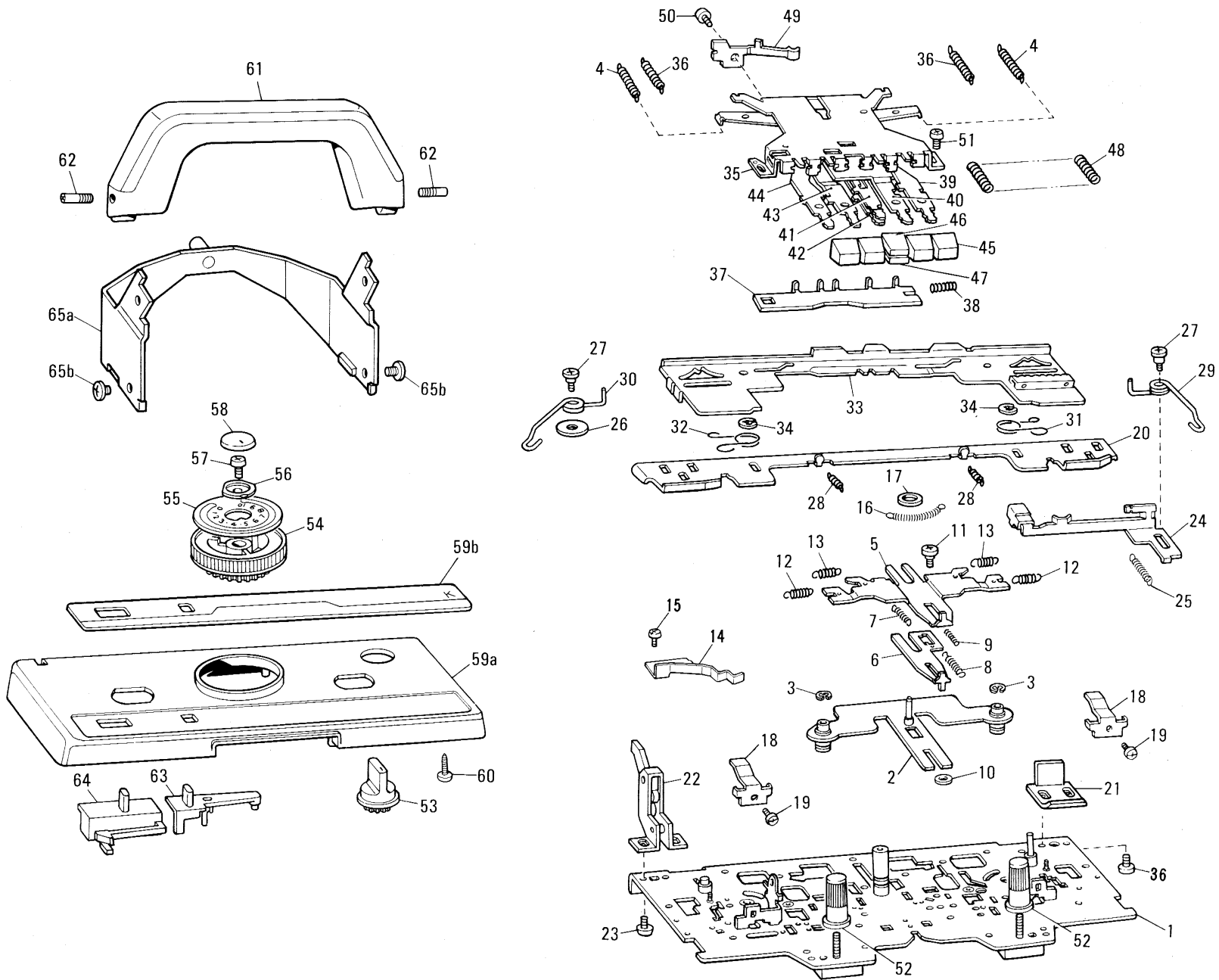


PARTS CATALOGUE FOR CK-35 COMMERCIAL KNITTER

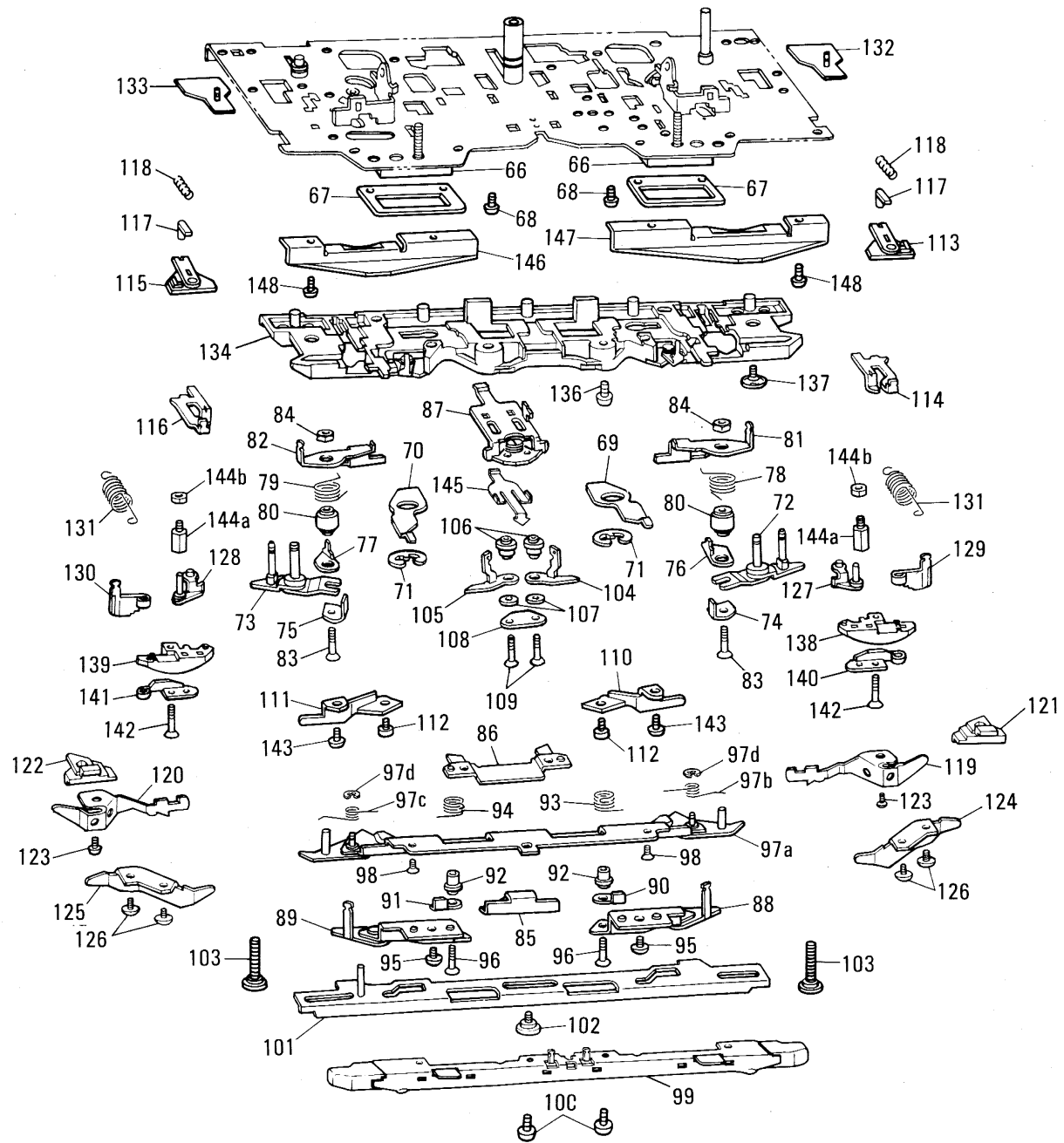


**PARTS FOR K-CARRIAGE
UPPER PART**

Fig: AI

K-CARRIAGE UPPER PART

Ref. No.	Parts No.	Description	Revised	Q'ty	Ref. No.	Parts No.	Description	Revised	Q'ty
AI-I-AIII-183	416576001	K carriage complete set for CK-35		1	59a-b	416594001	K carriage cover assembly for CK-35		1
AI-1	416577001	Carriage plate		1	59a	416595001	K carriage cover		1
2	414022001	Stitch cam guide plate		1	59b	416596001	Carriage cover decoration plate		1
3	048030346	Shap ring E3		2	60	037351615	Tapping screw 3.5 × 16		2
4	407432001	Raising cam change spring		2	61	409605007	K carriage handle		1
5	414053000	Change plate A		1	62	409608001	Screw		2
6	414054000	Change plate B		1	63	413437001	Plain lever knob		1
7	414370001	Change plate A spring		1	64	414112001	H.C.L knob		1
8	414252001	Change plate B spring		1	65a	416597001	Carriage arm assembly		1
9	413452001	Change plate spring		1	65b	060680506	+ - Screw 4.37 - 40 × 5		2
10	414251001	Collar		1					
11	414025001	Change plate guide collar		1					
12	414241001	MC cam change spring		2					
13	414178001	MC cam spring A		2					
14	414065001	Front slide spring plate		1					
15	060660406	+ - Screw 3.18 - 40 × 4		1					
16	414069001	Tuck cam spring		1					
17	414180001	Presser spring		1					
18	414084001	Handle lock spring		2					
19	062670406	Screw 3.57 - 40 × 4		2					
20	409554001	Rear plate		1					
21	409972001	Rear plate guide		1					
22	410132001	Knit leader tripper		1					
23	060660406	+ - Screw 3.18 - 40 × 4		4					
24	410141003	Magnet change plate		1					
25	412131001	Shift spring for K carriage sensor		1					
26	025050335	Washer 5		1					
27	410146001	Shaft for sensor magnet		2					
28	410135001	End needle selection cam spring		2					
29	414189001	Needle selection change spring, R		1					
30	414190001	Needle selection change spring, L		1					
31	409543001	Connecting plate spring, R		1					
32	409544001	Connecting plate spring, L		1					
33	417176001	Upper slide plate		1					
34	048040346	Snap ring E4		2					
35-50	417214001	Cam button unit		1					
50	060660506	+ - Screw 3.57 - 40 × 5		1					
51	060670406	+ - Screw 3.57 - 40 × 4		2					
52	409596003	Thumb nut		2					
53	409597006	Change knob		1					
54-55	414175003	Stitch dial assembly		1					
54	409599003	Stitch dial		1					
55	414174003	Stitch dial indicator		1					
56	406283001	Stitch dial presser		1					
57	060660606	+ - Screw 3.18 - 40 × 6		1					
58	409601005	Stitch dial cap		1					

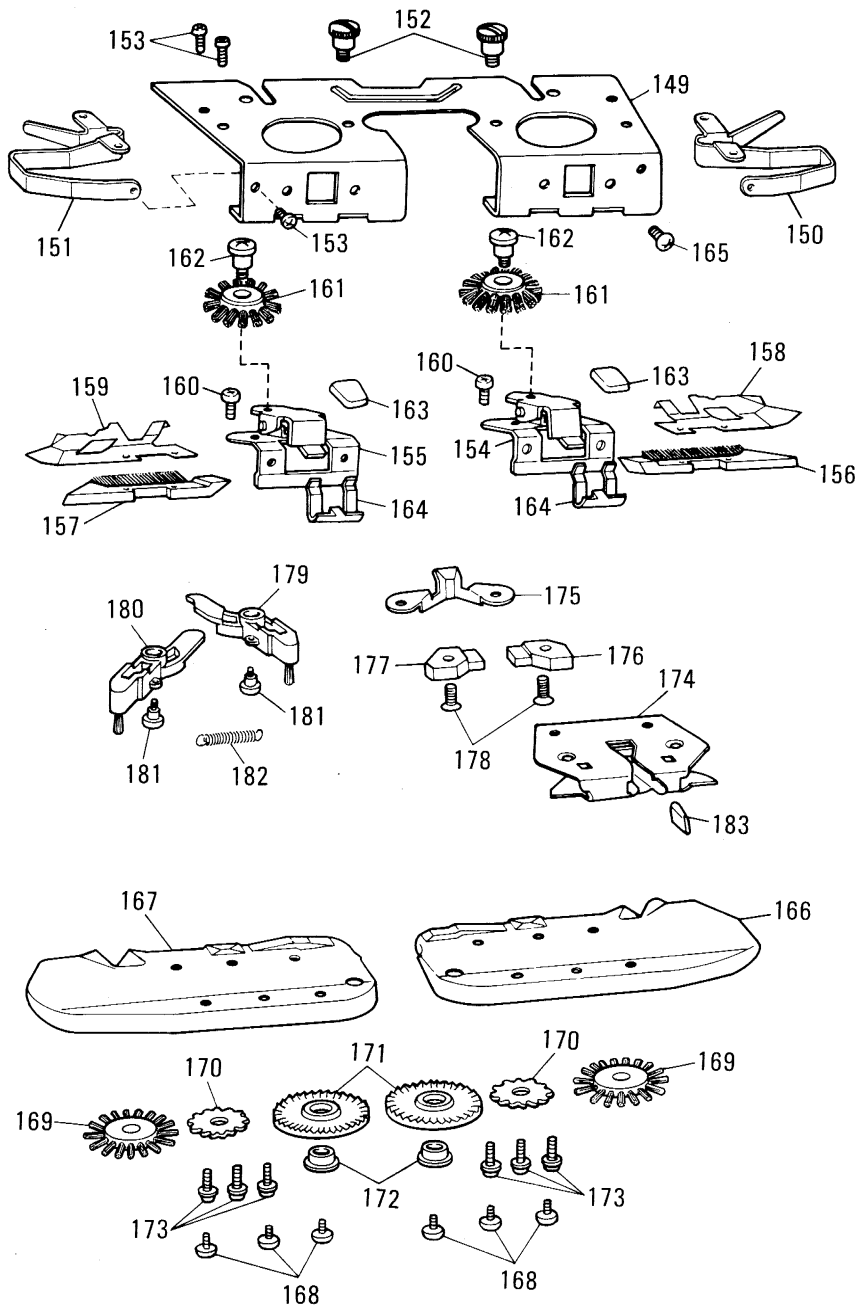


**PARTS FOR K-CARRIAGE
LOWER PART**

Fig: AII

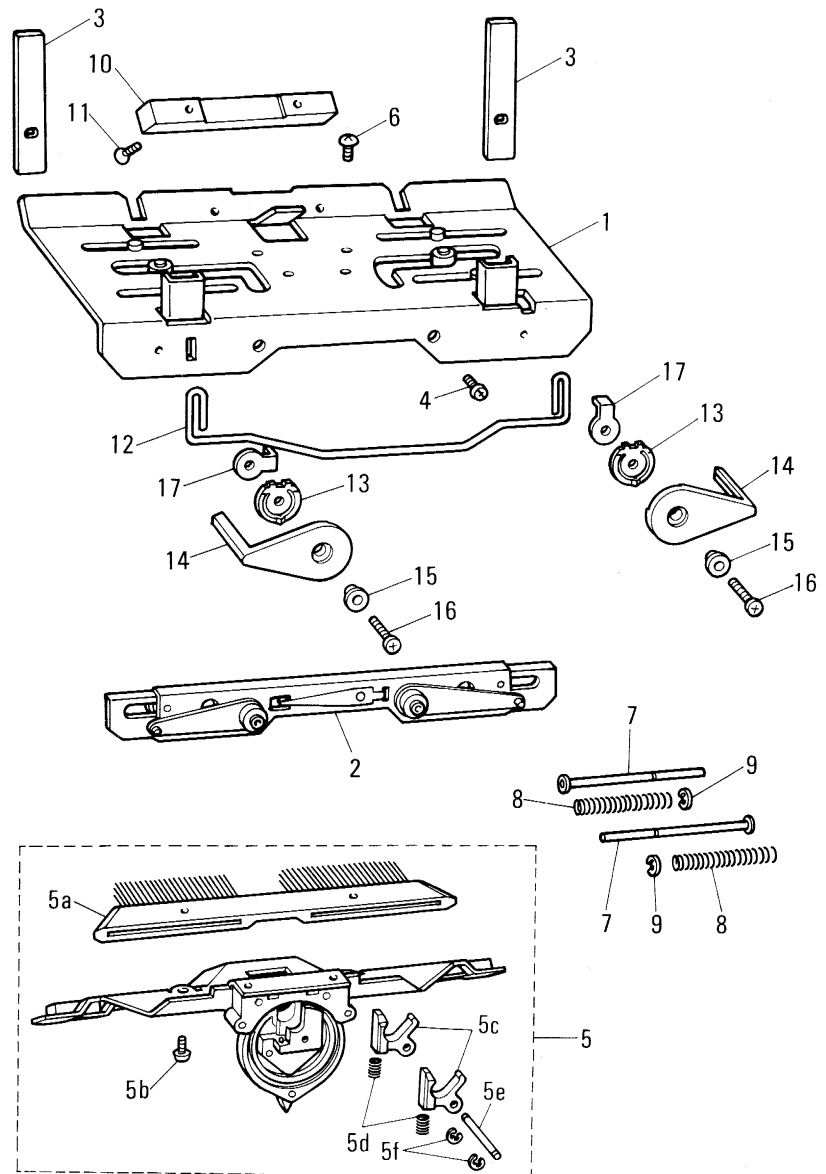
K-CARRIAGE LOWER PART

Ref. No.	Parts No.	Description	Revised	Q'ty	Ref. No.	Parts No.	Description	Revised	Q'ty
AII-66	416580001	Carriage magnet		2	112	414049001	Screw		2
67	416581000	Carriage magnet setting plate		2	113	410922002	Selection cam for right end needle		1
68	412048006	+ — Screw 3.18 — 40 × 3		4	114	410924101	Selection guide for right end needle		1
69	414242001	Raising cam guide, R		1	115	410923001	Selection cam for left end needle		1
70	414243001	Raising cam guide, L		1	116	410925101	Selection guide for left end needle		1
71	048070346	Snap ring E7		2	117	410926001	End needle selection switch cam		2
72	414026001	Stitch cam assembly, R		1	118	412215001	End needle switch cam spring		2
73	414030001	Stitch cam assembly, L		1	119	414487001	Separation cam, R		1
74	407296001	Sub stitch cam, R		1	120	414488001	Separation cam, L		1
75	407297001	Sub stitch cam, L		1	121	410929000	Buffer right for selected needle		1
76	410488001	Valve cam D, R		1	122	410930000	Buffer left for selected needle		1
77	410489001	Valve cam D, L		1	123	060660406	+ — Screw 3.18 — 40 × 4		2
78	410490001	Valve cam D spring, R		1	124	414082001	Guide cam F, R		1
79	410491001	Valve cam D spring, L		1	125	414083001	Guide cam F, L		1
80	414245001	Sub stitch cam shaft		2	126	413554001	Round head screw 3.18 × 3		4
81	414032001	MC cam, R		1	127	414185001	Needle selection change cam, R		1
82	414033001	MC cam, L		1	128	414187001	Needle selection change cam, L		1
83	407312001	Flat head screw		2	129	414203001	Valve cam F, R		1
84	021660306	Nut 3.18-40		2	130	414204001	Valve cam F, L		1
85	414034001	Slide cam		1	131	410129001	Valve cam F spring		2
86	414035001	Slide cam guide		1	132	409539001	Connecting plate, R		1
87	416582001	Guide cam C		1	133	409541001	Connecting plate, L		1
88	414041001	Guide cam B, R		1	134	414086001	Rear foot		1
89	414045001	Guide cam B, L		1	136	060660406	+ — Screw 3.18 — 40 × 6		4
90	414176001	Valve cam B, R		1	137	409494001	Screw 3.57		2
91	414177001	Valve cam B, L		1	138	417167001	Selection cam, R		1
92	414050001	Valve cam B shaft		2	139	417168001	Selection cam, L		1
93	414051001	Valve cam B spring, R		1	140	409537001	Guide cam G, R		1
94	414052001	Valve cam B spring, L		1	141	409538001	Guide cam G, L		1
95	413554001	Round head screw 3.18 × 3		2	142	410030001	Flat head screw 2.38 × 14		2
96	407299001	Flat head screw		2	143	413554001	Round head screw 3.18 × 3		2
97a-d	416586001	Guide cam A assembly		1	144a	414091001	Selection change cam shaft		2
98	413285001	Flat head screw 3.18 × 4		2	144b	021670306	Nut 3.57 — 40		2
99	414172001	Front foot		1	145	414462000	Guide cam C spring		1
100	413554001	Round head screw 3.18 × 3		2	146	416592001	Yarn feeder holding cam, L		1
101	414062001	Front slide plate		1	147	416593001	Yarn feeder holding cam, R		1
102	414184001	Stud screw 3.18 × 4		1	148	412046004	Screw 3.18 — 40 × 3		4
103	408504001	Stud screw 3.18 × 16		2					
104	414066001	Tuck cam, R		1					
105	414167001	Tuck cam, L		1					
106	414068001	Tuck cam shaft		2					
107	414179001	Washer		2					
108	416589001	Tuck cam plate		1					
109	407299001	Flat head screw		2					
110	416590001	Cam plate, R		1					
111	416591001	Cam plate, L		1					



**PARTS FOR K-CARRIAGE
SINKER PLATE**

Fig: AIII



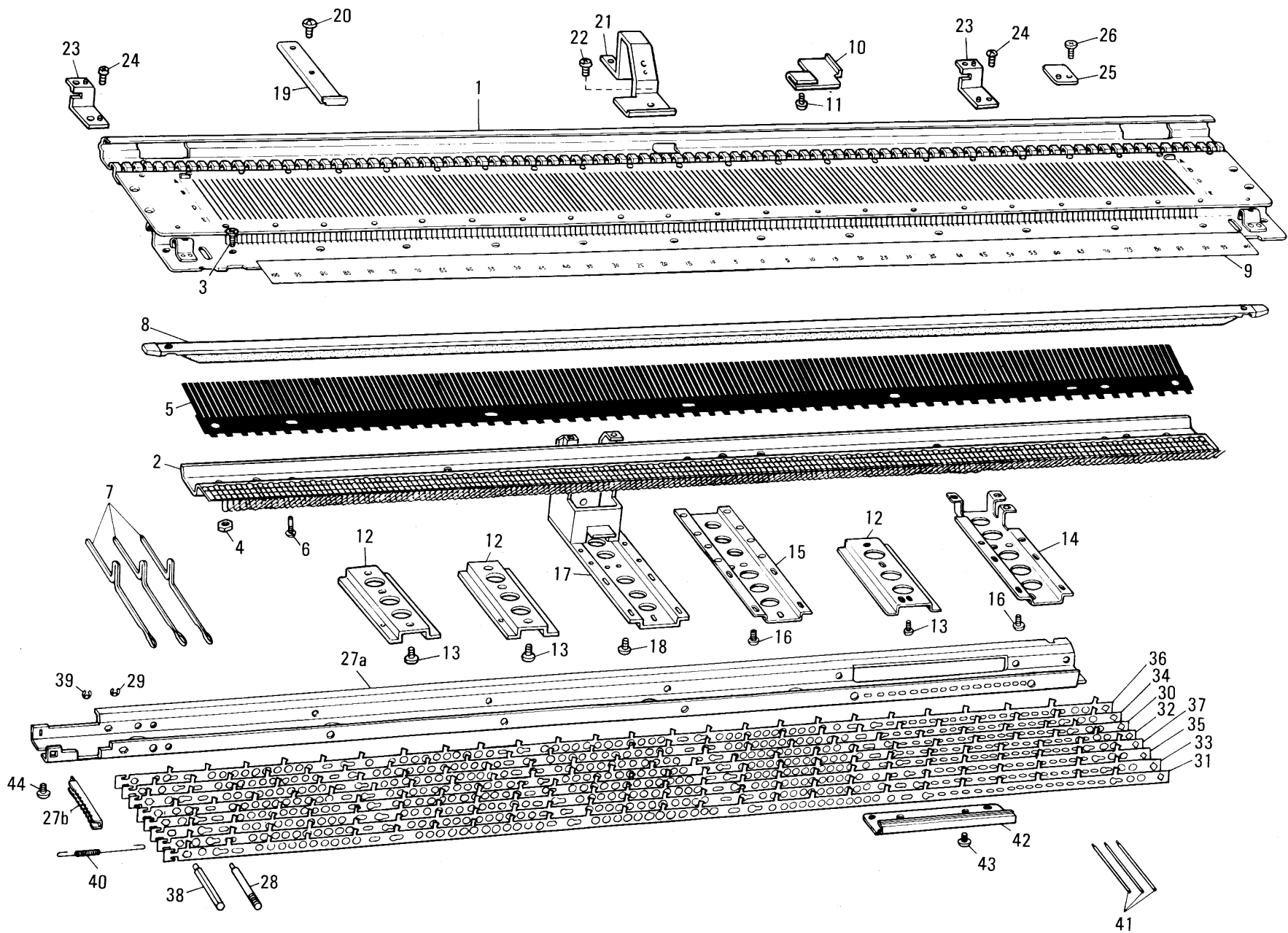
**PARTS FOR CONNECTING
ARM ASSEMBLY**

Fig: AIV

-CARRIAGE SINKER PLATE

CONNECTING ARM ASSEMBLY

Ref. No.	Parts No.	Description	Revised	Q'ty	Ref. No.	Parts No.	Description	Revised	Q'ty
AIII-149-183	415551001	Sinker plate assembly		1	AIV-1-17	416806001	Connecting arm assembly		1
AIII-149-173	415552001	Sinker plate arm assembly		1	1	416807001	Connecting arm		1
149	409979001	Sinker plate arm		1	2	416830001	Connecting change plate		1
150	414122000	Weaving thread guide, R		1	3	416842001	Connecting plate		2
151	414123000	Weaving thread guide, L		1	4	408304001	Round head screw 3.18 × 4		2
152	409626001	Thumb screw		2	5	416843001	Catcher assembly for yarn holder		1
153	409162001	Tapping screw 2.6		6	5-a	416860001	Brush		1
154	410026001	Weaving lever assembly, R		1	5-b	037280516	Tapping screw 26 × 6		2
155	410027001	Weaving lever assembly, L		1	5-c	416851001	Catching claw		2
156	410003001	Latch opening brush, R		1	5-d	416852001	Catching claw spring		2
157	410004001	Latch opening brush, L		1	5-e	416853001	Shaft		1
158	414191000	Latch presser plate, R		1	5-f	048012346	Snap ring E1. 2		2
159	414192000	Latch presser plate, L		1	6	060660504	+ - Screw 3.18 - 40 × 5		2
160	037280616	Tapping screw 2.6 × 6		4	7	417219001	Returnner shaft		2
161	414417001	Weaving pattern brusch		2	8	416862001	Returnner spring		2
162	408316001	Stud screw 3.18		2	9	048020346	Snap ring E2		2
163	409629003	Weaving lever knob		2	10	408838000	Magnet S		1
164	407441001	Weaving lever spring		2	11	061661006	Flat head screw 3.18 - 40 × 10		2
165	408305001	Flat head screw 3.18 × 5		4	12	416863001	Yarn guide for yarn holder		1
166	409614001	Sinker plate, R		1	13	416865001	Arm yarn guide spring		2
167	409618001	Sinker plate, L		1	14	416866001	Yarn guide lever		2
168	412048006	+ - Screw 3.18 - 40 × 3		6	15	416867001	Collar		2
169	407702001	Wheel brush		2	16	416912001	Round head screw 3.18 - 40 × 12		2
170	405184002	Plastic gear		2	17	416864001	Arm yarn guide stopper		2
171	413403001	Rubber wheel 35		2					
172	410970001	Holder		2					
173	409621001	+ - Screw with washer 3.18 × 4		6					
174-183	414129001	Duble yarn feeder assembly		1					
174	414130001	Yarn feeder body		1					
175	409625000	Magnetic holder plate		1					
176	407454000	Magnet, R		1					
177	407578000	Magnet, L		1					
178	413274001	Round head screw 2.38 × 10		2					
179	414196001	Yarn presser brush, R		1					
180	414197001	Yarn presser brush, L		1					
181	414249001	Screw		2					
182	414250001	Yarn presser spring		1					
183	407450004	Yarn feeder knob		1					

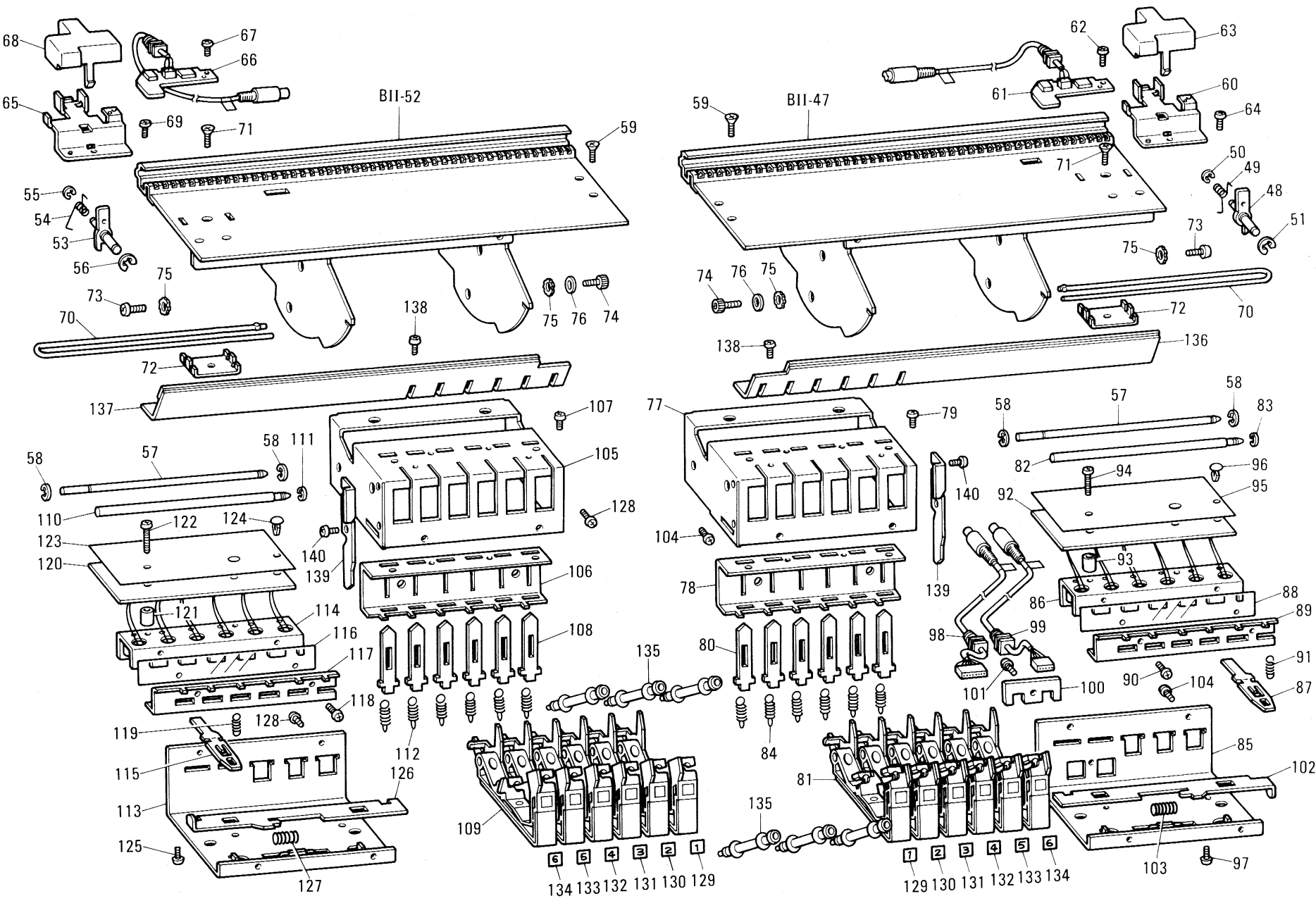


PARTS FOR NEEDLE BED
FOR KNITTER

Fig: BI

NEEDLE BED FOR KNITTER

Ref. No.	Parts No.	Description	Revised	Q'ty	Ref. No.	Parts No.	Description	Revised	Q'ty
BI-1	412803001	Needle bed assembly		1					
2	410154001	Needle bed comb assembly		1					
3	412109004	Flat head screw 2.38 - 56 X 7		12					
4	405077001	Nut 2.38		12					
5	407112001	Needle retaining spring		1					
6	407687001	Screw 3.18		3					
7	407113001	plain needle		200					
8	409643003	Needle presser bar assembly		1					
9	410157001	Needle position indicator		1					
10	416599000	Timing belt holder plate		1					
11	412048006	+ - Screw 3.18 - 40 X 3		1					
12	407120000	Lower holder plate		3					
13	409197001	Screw with washer 3.18 X 4		6					
14	410159000	Stay, R		1					
15	410160000	Stay centre, A		1					
16	409197001	Screw with washer 3.18 X 4		8					
17	410161001	Stay centre, B		1					
18	409197001	Screw with washer 3.18 X 4		4					
19	410170000	Carring case reinforcing plate		1					
20	410523001	Screw 3.18 X 5		1					
21	410177000	Pattern case setting base		1					
22	410523001	Screw 3.18 X 5		1					
23	410175000	Position sensor board holder plate		2					
24	410523001	Screw 3.18 X 5		2					
25	413952000	Pattern case holder plate		1					
26	410523001	Screw 3.18 X 5		1					
27-40	410188001	Needle selector plate holder assembly		1					
27-29	410189001	Needle selctor plate holder		1					
28	408159001	Shaft A		6					
29	048025346	Snap ring E2.5		6					
30	410191001	Needle selector plate 1		1					
31	410192001	Needle selector plate 2		1					
32	410193001	Needle selector plate 3		1					
33	410194001	Needle selector plate 4		1					
34	410195001	Needle selector plate 5		1					
35	410196001	Needle selector plate 6		1					
36	410197001	Needle selector plate 7		1					
37	410198001	Needle selector plate 8		1					
38	408172001	Shaft B		1					
39	048025346	Snap ring E2.5		1					
40	410476001	Needle selector plate spring		8					
41	408098001	N.S.P operation lever		16					
42	410199001	Operation lever presser		1					
43	409197001	Screw with washer 3.18 X 4		2					
44	409197001	Screw with washer 3.18 X 4		10					

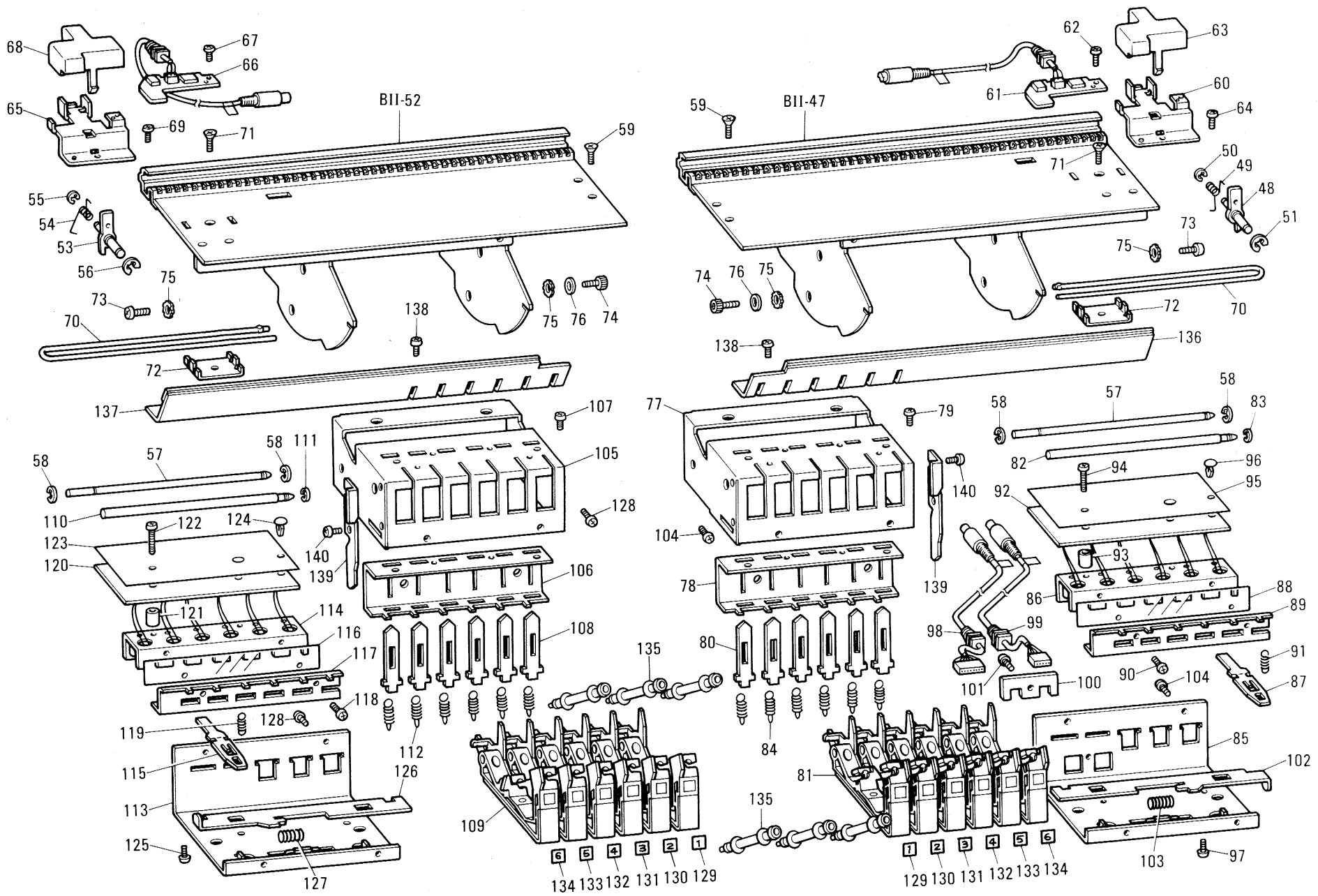


PARTS FOR CHANGER & EXTENSION BED FOR KNITTER

Fig: BII

CHANGER & EXTENSION BED FOR KNITTER

Ref. No.	Parts No.	Description	Revised	Q'ty	Ref. No.	Parts No.	Description	Revised	Q'ty
BII-47-51	416686001	Extension bed assembly, R		1	88	416933000	Dust protection plate		1
48	416694001	Carriage stopper plate, R		1	89	416934000	Yoke setting plate		1
49	416698001	Stopper spring, R		1	90	060660406	+ - Screw 3.18 - 40 x 4		2
50	048025346	Snap ring E2.5		1	91	416935001	Armature spring		6
51	048050346	Snap ring E5		1	92	417111001	Changer P.C. board assembly, R		1
52-56	416691001	Extension bed assembly, L		1	93	416936001	Collar		2
53	416700001	Carriage stopper plate, L		1	94	060661406	+ - Screw 3.18 - 40 x 14		2
54	416702001	Stopper spring, L		1	95	417043001	Changer P.C. board cover		1
55	048025346	Snap ring E2.5		1	96	U77729000	Rivet		1
56	048050346	Snap ring E5		1	97	060660406	+ - Screw 3.18 - 40 x 4		2
57	416703001	Shaft for holder		2	98	417001001	MD cable - A		1
58	048040346	Snap ring E4		4	99	417007001	MD cable - i		1
59	407119001	Flat head screw 4.37		4	100	416937001	Cord holder plate		1
60-61	416704001	Right return sensor assembly		1	101	060660406	+ - Screw 3.18 - 40 x 4		1
60	416705001	Return sensor holder		1	102	416938001	Changer frame stopper plate		1
61	417037001	Right return sensor P.C. board assembly		1	103	416939001	Frame stopper plate spring		1
62	060660406	+ - Screw 3.18 - 40 x 4		1	104	060660406	+ - Screw 3.18 - 40 x 4		4
63	416706001	Return sensor cover		1	105-128	416941001	Left colour changer assembly		1
64	060660406	+ - Screw 3.18 - 40 x 4		1	105-112	416941001	Changer frame assembly, L		1
65-66	416707001	Right return sensor assembly		1	105	417209001	Changer frame, L		1
65	416705001	Return sensor holder		1	106	416917001	Guide for signal switch plate		1
66	417038001	Left return sensor P.C. board assembly		1	107	060660406	+ - Screw 3.18 - 40 x 4		2
67	060660406	+ - Screw 3.18 - 40 x 4		1	108	416918001	Signal switch plate		6
68	416706001	Return sensor cover		1	109	416942001	Yarn holder keeper, L		6
69	060660406	+ - Screw 3.18 - 40 x 4		1	110	416926001	Shaft for yarn holder		1
70	416991001	Safety guide		2	111	048030346	Snap ring E3		1
71	061661006	Flat head screw 3.18 - 40 x 10		2	112	416927001	Yarn holder spring		6
72	416998000	Setting plate for safety guide		2	113-125	416945001	Frame cover assembly, L		1
73	060400816	+ - Screw 4 x 8		4	113	417041001	Changer frame cover, L		1
74	018400837	Allen bolt 4 x 8		4	114	416930001	Solenoid yoke assembly		1
75	U20568000	Toothed lock washer 4		8	115	416932001	Armature		6
76	026040236	Wahser 4		4	116	416933000	Dust protection plate		1
77-107	416913001	Right color changer assembly		1	117	416934000	Yoke setting plate		1
77-84	416914001	Changer frame assembly, R		1	118	060660406	+ - Screw 3.18 - 40 x 4		2
77	416915001	Changer frame, R		1	119	416935001	Armature spring		6
78	416917001	Guide for signal switch plate		1	120	417115001	Changer P.C. board assembly, L		1
79	060660406	+ - Screw 3.18 - 40 x 4		2	121	416936001	Collar		2
80	416918001	Signal switch plate		6	122	060661406	+ - Screw 3.18 - 40 x 14		2
81	416919001	Yarn holder keeper, R		6	123	417043001	Changer P.C. board cover		1
82	416926001	Shaft for yarn holder		1	124	U77729000	Rivet		1
83	048030346	Snap ring E3		1	125	060660406	+ - Screw 3.18 - 40 x 4		2
84	416927001	Yarn holder spring		6	126	416938001	Changer frame stopper plate		1
85-101	416928001	Frame cover assembly, R		1	127	416939001	Frame stopper plate spring		1
85	416929001	Changer frame cover, R		1	128	060660406	+ - Screw 3.18 - 40 x 4		4
86	416930001	Solenoid yoke assembly		1	129	416946001	Yarn holder seal #1		2
87	416932001	Armature		6	130	416947001	Yarn holder seal #2		2

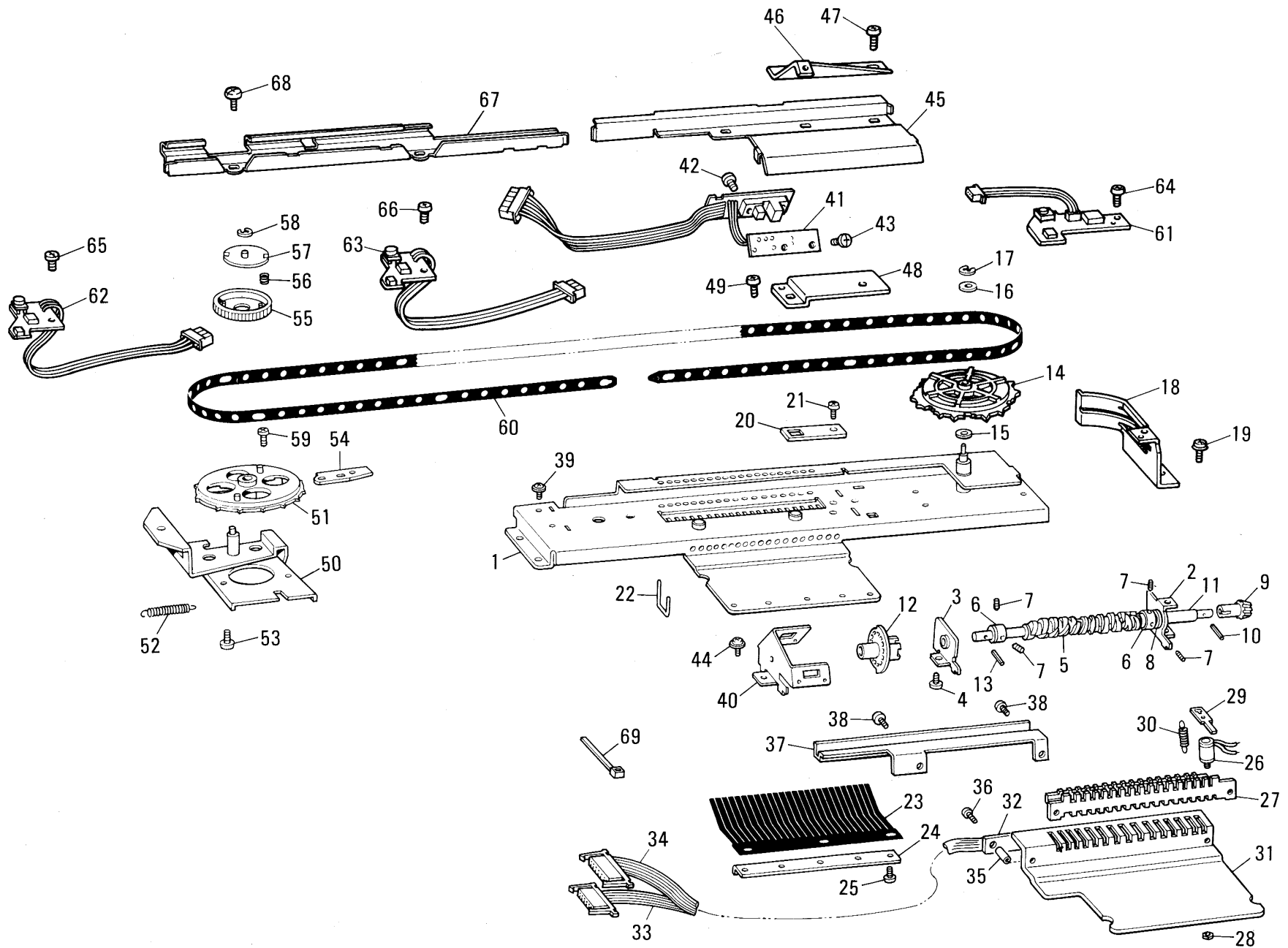


PARTS FOR CHANGER & EXTENSION BED FOR KNITTER

Fig: BII

PARTS FOR CARRIAGE UPPER PART

Ref. No.	Parts No.	Description	Revised	Q'ty	Ref. No.	Parts No.	Description	Revised	Q'ty
131	416948001	Yarn holder seal #3		2					
132	416949001	Yarn holder seal #4		2					
133	416950001	Yarn holder seal #5		2					
134	416951001	Yarn holder seal #6		2					
135	416952001	Yarn holder		6					
136	416956001	Function plate, R		1					
137	416959001	Function plate, L		1					
138	409197001	Screw with washer		4					
139	416916001	R extentin bed stabilizer		2					
140	060670506	+ - Screw 3.57 - 40 × 5		4					

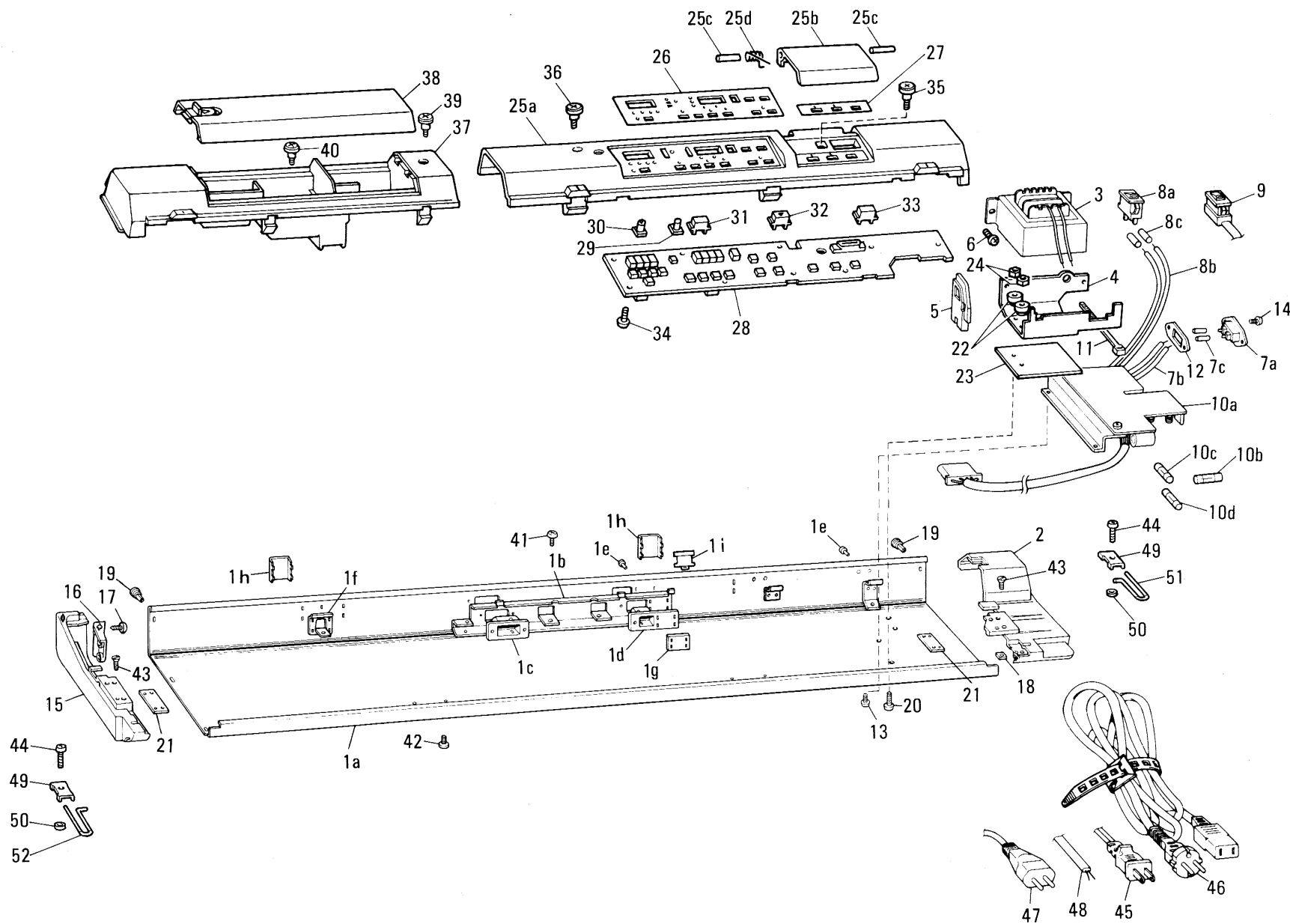


PARTS FOR NEEDLE SELECTOR UNIT

Fig: C

NEEDLE SELECTOR UNIT

Ref. No.	Parts No.	Description	Revised	Q'ty	Ref. No.	Parts No.	Description	Revised	Q'ty
C1-38	417029001	Rotary cam holder body assembly		1	44	409197001	Screw with washer 3.18 × 4		1
1	410202001	Roatary cam holder body		1	45	413911000	Cord cover		1
2	416600001	Rotary cam holder, R		1	46	416608000	Pattern case setting plate		1
3	410210001	Rotary cam holder, L		1	47	060630416	+ - Screw 2.38-56 × 4		3
4	409197001	Screw with washer 3.18 × 4		2	48	416609000	Cord protecting plate		1
5	413907001	Rotary cam		1	49	060660406	+ - Screw 3.18-40 × 4		1
6	410215001	Rotary cam adjustor collar		2	50-58	417211001	pulley assembly		1
7	013680516	Stopper screw 4.37 - 40 × 5		4	50	410180001	Pulley holder plate		1
8	411013001	Wahser 6.3		1	51	410182002	Pulley		1
9	410216000	Bevel gear Z12		1	52	410016001	Belt tension control spring		1
10	047201042	Spring pin AW2		1	53	406397001	Screw with washer 3.18 × 5		2
11	410217001	Spacer 6.2 × 19		1	54	412034000	Pulley adjusting plate		1
12	413910001	Slit disc		1	55	410477001	Friction plate		1
13	047201242	Spring pin AW2		1	56	417210001	Friction plate spring		4
14	416602001	Belt pulley, R		1	57	410478000	Presser for friction plate spring		1
15	410223001	Washer 6.3		1	58	048030346	Snap ring E3		1
16	400806004	Washer 3.6		1	59	409197001	Screw with washer 3.18x4		2
17	048025346	Snap ring E2.5		1	60	410186001	Timing belt		1
18	416604000	Position sensor board holder plate, R		1	61	417033001	Right position sensor P.C.B.assembly		1
19	409197001	Screw with washer 3.18 × 4		2	62	417035001	Left position sensor P.C.B. assembly		1
20	408068001	Card reader (Cam lever) guide stopper		1	63	417036001	Center position sensor P.C.B. assembly		1
21	060660406	+ - Screw 3.18 - 40 × 4		1	64	060660406	+ - Screw 3.18 - 40 × 4		1
22	410225001	Rotary cam lecvor		16	65	060660406	+ - Screw 3.18 - 40 × 4		1
23	410226001	Rotary cam lever spring		1	66	060660406	+ - Screw 3.18 - 40 × 4		1
24	410227000	Cam lever spring pressor plate		1	67	410176001	Timing belt cover, L		1
25	060660406	+ - Screw 3.18 - 40 × 4		5	68	060660406	+ - Screw 3.18 - 40 × 4		2
C26-36	417028001	Needle selector solenoid assembly		1	69	411746001	Cord binder		1
26	410229001	Solenoid		16					
27	410238001	Solenoid yoke 16		1					
28	021260206	Nut 2.6		16					
29	410239001	Armature		16					
30	410240001	Spring for armature		16					
31	410241000	Heat sinker plate for solenoid		1					
32	410327101	Soleniod board		1					
33	417014001	Solenoid cord 1		1					
34	417015001	Solenoid cord 2		1					
35	408481002	Spacer 4 × 7		2					
36	415616001	Screw with washer 3 × 14		2					
37	410243000	Timing belt cover, R		1					
38	060670506	+ - Screw 3.57 - 40 × 5		2					
39	409197001	Screw with washer 3.18 × 4		5					
40-43	417032001	Encoder sensor holder assembly		1					
40	416498000	Encoder holder		1					
41	417031001	Encoder sensor assembly		1					
42	062660806	Screw 3.18 - 40 × 8		2					
43	062660506	Screw 3.18 - 40 × 5		2					

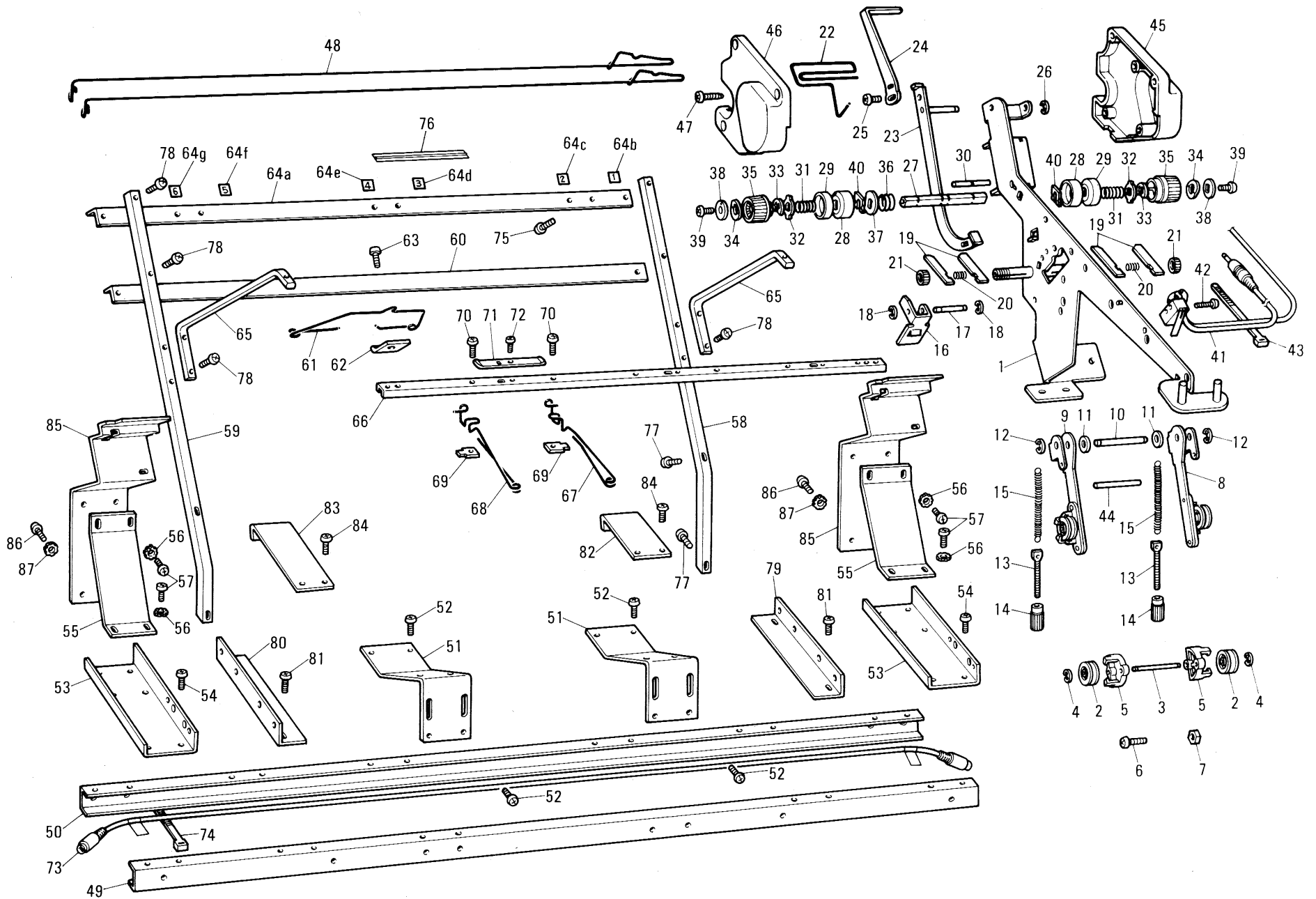


PARTS FOR CASE FOR KNITTER & ELECTRIC PART

Fig: D

CASE FOR KNITTER & ELECTRIC PART

Ref. No.	Parts No.	Description	Revised	Q'ty	Ref. No.	Parts No.	Description	Revised	Q'ty
D-1-8c & 10a-21	416610001	Lower case assembly CK-35 (UL/CSA/117V)		1	24	021670306	Nut 3.57 - 40 (220V, 230V, 240V)		2
D1-7c & 9-24	417000001	Lower case assembly CK-35 (for 240V)		1	25-34	487732001	Pattern case whole unit for UL/CSA		1
1-7c & 9-24	416999001	Lower case assembly CK-35 (220V)		1		487731001	Pattern case whole unit for CK-35		1
1a-i	416611001	Lower case assembly		1	25a-d	417145001	Pattern case for CK-35		1
2	417142001	Lower side plate, R for UL/CSA		1		416616001	Pattern case assembly for UL/CSA		1
	416613001	Lower side plate, R		1	26	416618001	Pattern case decoration plate #1		1
3-8c & 10a-12	417092001	Power supply board assembly for UL/CSA		1	27	416619001	Pattern case decoration plate #2		1
3-7c & 9-12	417130001	Power supply board assembly (240V)		1	28	417096001	Main P.C. Board assembly		1
	417121001	Power supply board assembly (220V)		1	29	416623001	Display key		1
3-6	417122001	Power transformaer assembly (220V)		1	30	416624001	Counter key		4
	417131001	Power transformaer assembly #E (for 240V)		1	31	416625002	Select key (Green)		1
	417093001	Power transformaer assembly for UL/CSA		1	32	416626001	Up/Down key		2
3	417123001	Power transformer (220V)		1	33	416625001	Others		9
	417094001	Power transformer for UL/CSA (117V)		1	34	037280816	Tapping screw 2.6 × 8		9
	417132001	Power transformer (240V)		1	35	410529001	Stud screw 3.18		1
4	416522000	Heat sinker plate (117V)		1	36	410535001	Stud screw 3.18		1
	417134000	Heat sinker plate (220V/230V/240V)		1	37-38	413947001	Accessory box assembly		1
5	416539000	Transformer stopper		1	37	413948001	Accessory box		1
6	060670406	+ - Screw 3.57 - 40 × 4		2	38	413949001	Lid for box		1
7a-c	417124001	AC inlet with cord		1	39	410529001	Stud screw 3.18		1
	416523001	AC inlet with cord (117V)		1	40	410535001	Stud screw 3.18		1
8a-c	416525001	Power switch assembly (117V)		1	41	060660406	+ - Screw 3.18 - 40 × 4		2
9	417126001	Power switch assembly (220V/230V/240V)		1	42	060660704	+ - Screw 3.18 - 40 × 7		4
10a-d	417095001	Power supply board assembly (117V)		1	43	407119001	Flat head screw 4.37		4
	417128001	Power supply board assembly (220/230V/240V)		1	44	060661006	+ - Screw 3.18 - 40 × 10		2
10b, 10d	417129001	Tubular fuse 0.5A for 220V/230V/240V		2	45	410832001	Power cord for 117V (UL)		1
10c	UC0530000	Tubular fuse 5A for 220V/230V/240V		1		411430001	Power cord for 117V (CSA)		1
10b	417117001	Tubular fuse 1A for 117V (UL/CSA)		1	46	410831001	Power cord for 220V		1
10c	U79534000	Tubular fuse 5A for 117V (UL/CSA)		1	47	410854001	Power cord for 220V		1
10d	UA3046000	Tubular fuse 0.5A for 117V (UL/CSA)		1	48	412058001	Power cord for 240V (BS)		1
11	414844001	Cord binder T18S		5	49	417044001	Yarn guide holder		2
12	410306000	AC inlet clamp		1	50	417045001	Spacer		2
13	416549001	Round head screw 3 × 6		2	51	416990001	Yarn guide, R		1
14	411078009	+ - Screw 3 × 6 for 117V (UL/CSA)		2	52	417046001	Yarn guide, L		1
	060301004	+ - Screw 3 × 6 for 220V		2					
	060301005	+ - Screw 3 × 6 for 240V		2					
15	416614001	Lower side plate, L		1					
16	414005001	Yarn tension support base		1					
17	037281216	Tapping screw 2.6 × 12		4					
18	409700001	Square nut 3.18		2					
19	408194003	Plastic rivet		6					
20	008670604	Round head screw 3.57 - 40 × 6 (117V)		2					
	008671204	Round head screw 3.57 - 40 × 12 (220V, 230V, 240V)		2					
21	416615001	Needle bed fastening plate		2					
22	417135000	Insulation spacer (220V, 230V, 240V)		2					
23	417136000	Insulation board (220V, 230V, 240V)		1					

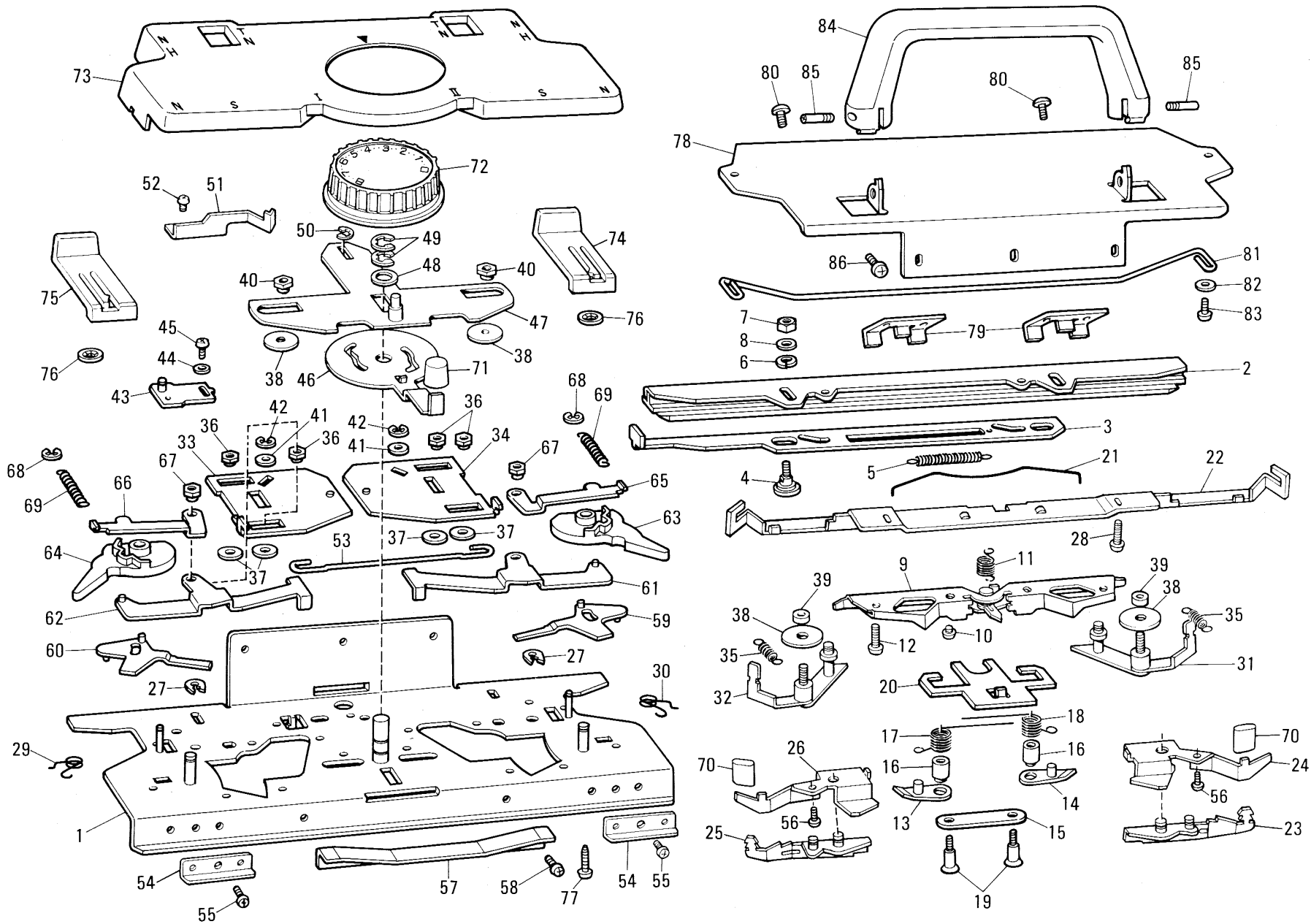


PARTS FOR YARN TENSION UNIT

Fig: E

YARN TENSION UNIT

Ref. No.	Parts No.	Description	Revised	Q'ty	Ref. No.	Parts No.	Description	Revised	Q'ty
E1-47	416628001	Yarn tension head assembly (3 pieces connected with cord)		1	46	416667001	Switch cover L		3
1	416629001	Yarn tension plate assembly		3	47	037281215	Tapping screw 26 × 12		9
2	416636001	Roller		12	48	416663001	Take-up spring		6
3	416637001	Roller shaft		6	49	416668000	Front frame		1
4	048012346	Snap ring E1.2		12	50	416669000	Rear frame		1
5	416641001	Roller shaft holder		12	51	416670001	Main body holder plate		2
6	060301206	Screw 3 × 12		6	52	060400816	+ - Screw 4 × 8		8
7	021300204	Nut 3		6	53	416671001	Rail holder setting plate		2
8	416642001	Tension lever, R		3	54	060400816	+ - Screw 4 × 8		8
9	416647001	Tension lever, L		3	55	416672001	Rail holder reinforcing plate		2
10	416631001	Tension lever shaft		3	56	U20568000	Toothed lock washer 4		8
11	026050132	Washer 5		6	57	060400816	+ - Screw 4 × 8		8
12	048040346	Snap ring E4		6	58	416675001	Side rail, R		1
13	416649001	Tension adjustor screw		6	59	416676001	Side rail, L		1
14	416650001	Tension adjustor knob		6	60	416677001	Rear yarn guide bar		1
15	416651001	Tension spring		6	61	416678000	Rear yarn guide		3
16	416652000	Switch plate		3	62	416679001	Rear yarn guide stopper		3
17	416653001	Switch plate shaft		3	63	060300606	+ - Screw 3 × 6		3
18	048020346	Snap ring E2		6	64a-g	417225001	Bar assembly for yarn tension head		1
19	416654000	Yarn knot stopper		12	64a	416680001	Bar for yarn tension head		1
20	416655001	Knot stopper spring		6	64b	416946001	Yarn holder seal #1		each 1
21	416656001	Thumb nut		6	}	}	}		
22	416657000	Knot stopper guide		3	64g	416951001	Yarn holder seal #6		1
23	416658001	Yarn end sensor plate, B		3	65	416681001	Brace for front yarn guide bar		2
24	416662001	Yarn end sensor plate, A		3	66	416682001	Front yarn guide bar		1
25	060300406	+ - Screw 3 × 4		3	67	416683000	Front yarn guide, R		3
26	048030346	Snap ring E3		3	68	416684000	Front yarn guide, L		3
27	416664001	Tension disc shaft		3	69	416685000	Front yarn guide setting plate		6
28	406241001	Tension disc A		6	70	060300606	+ - Screw 3 × 6		6
29	406242001	Tension disc B		6	71	409016001	Yarn clip		3
30	416665001	Yarn presser		3	72	409162001	Screw 2.6		3
31	408898001	Tension spring		6	73	417002001	MD cable C		1
32	403613001	Tension spring presser		6	74	414844001	Cord binder T18S		2
33	048040346	Snap ring E4		6	75	060300606	+ - Screw 3 × 4		6
34	402528001	Spring washer		6	76	W60040001	Binder 100		5
35	404511006	Tension control knob		6	77	060400816	+ - Screw 4 × 8		4
36	416237001	Coil spring		3	78	060301606	+ - Screw 3 × 16		10
37	406244000	Spring holder		3	79	417203000	Changer holder, R		1
38	403583001	Tension indicator		6	80	417208000	Changer holder, L		1
39	062660504	Screw 3.18-40x5		6	81	060400816	+ - Screw 4 × 8		4
40	506249000	Washer		6	82	417200001	Side rail supporter, R		1
41	417027001	Micro switch assembly		1	83	417201001	Side rail supporter, L		1
42	060020806	+ - Screw 2 × 8		6	84	060500806	+ - Screw 5 × 8		4
43	414844001	Cord binder T18S		3	85	416911001	Rail frame holder		2
44	416633001	Lever stopper		3	86	060400816	+ - Screw 4 × 8		6
45	416666001	Switch cover R		3	87	U20568000	Toothed lock washer 4		6

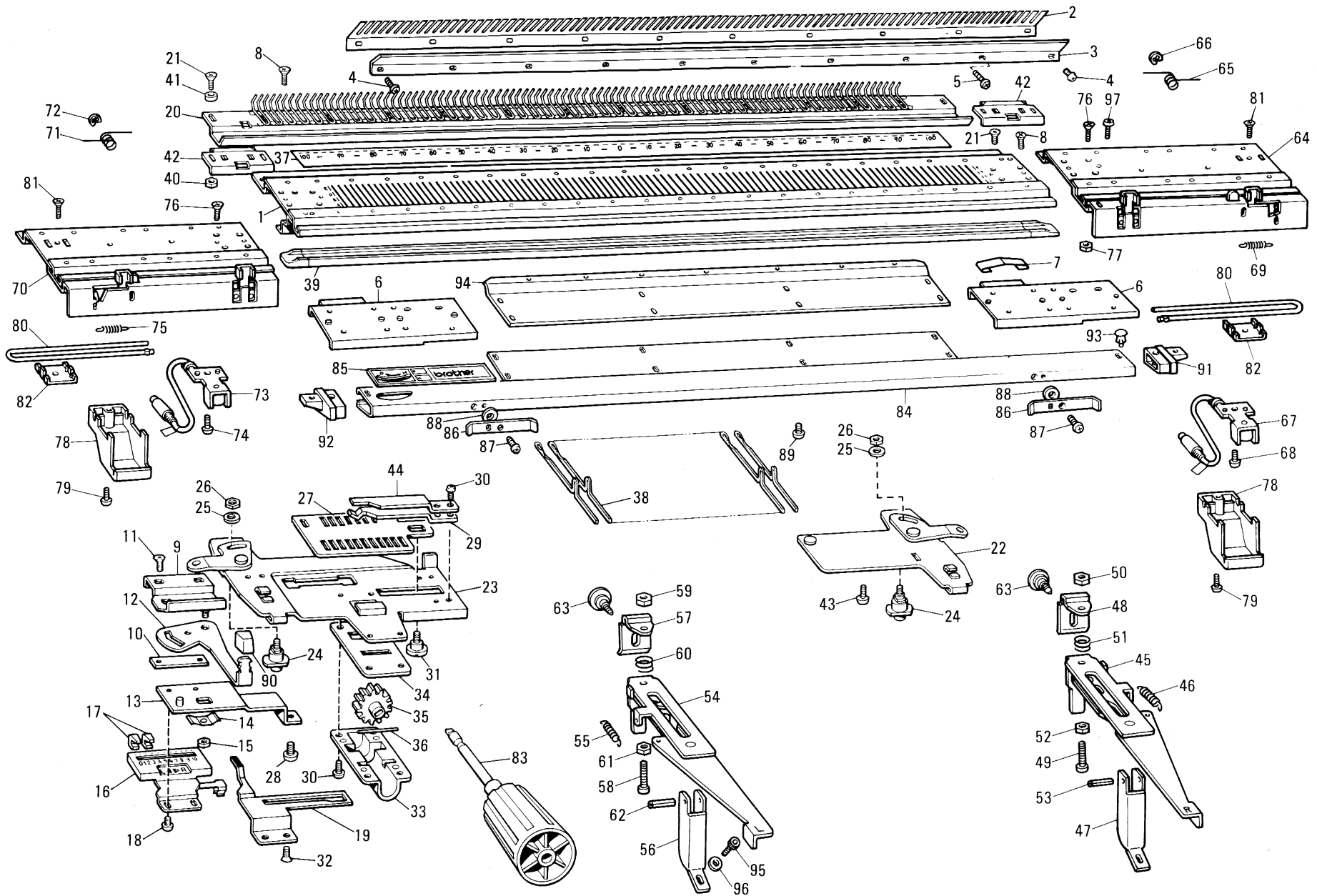


PARTS FOR R-CARRIAGE

Fig: F

R—CARRIAGE

Ref. No.	Parts No.	Description	Revised	Q'ty	Ref. No.	Parts No.	Description	Revised	Q'ty
F1-1	416709001	R-Carriage plate		1	47	408766001	Stitch cam guide plate		1
2	416713001	Front foot		1	48	405516001	Washer 8.1		1
3	416717001	R carriage release lever		1	49	048050346	Snap ring E5		2
4	416718001	Stud screw 4.37		2	50	048030346	Snap ring E3		1
5	416719001	R carriage release lever spring		1	51	408769001	Stitch cam adjusting spring		1
6	028050245	Spring washer 2 - 5		2	52	060660406	+ - Screw 3.18 - 40 × 4		1
7	021680106	Nut 4.37		2	53	416728001	Spring for cam slide lever		1
8	403387001	Washer 4.6		2	54	410695001	Carriage stopper		2
9	410708001	Sub stitch cam		1	55	060660406	+ - Screw 3.18 - 40 × 4		2
10	412048006	+ - Screw 3.18 - 40 × 3		2	56	060660406	+ - Screw 3.18 - 40 × 4		2
11	408710001	Swing cam spring		1	57	416729001	Skip setting cam		1
12	060660806	+ - Screw 3.18 - 40 × 8		2	58	060660406	+ - Screw 3.18 - 40 × 4		2
13	408711001	Tuck cam assembly, R		1	59	416730001	Raising cam change plate, R		1
14	408714001	Tuck cam assembly, L		1	60	416734001	Raising cam change plate, L		1
15	408716001	Tuck cam plate		1	61	416736001	Tuck cam change plate, R		1
16	408717001	Shaft for tuck cam		2	62	416738001	Tuck cam change plate, L		1
17	408718001	Tuck cam spring, R		1	63	416740001	Cam lever, R		1
18	408719001	Tuck cam spring, L		1	64	416741001	Cam lever, L		1
19	407299001	Flat head screw		2	65	416742001	Cam lever stopper, R		1
20	416724000	Tuck cam change plate		1	66	416744001	Cam lever stopper, L		1
21	416725001	Tuck cam change plate spring		1	67	416746001	Nut for change lever		2
22	410682001	Sub raising cam		1	68	048050346	Snap ring E5		2
23	410686001	Holding cam, R		1	69	416747001	Change lever stopper spring		2
24	410685001	Guide cam, R		1	70	408774003	Change cam knob		2
25	410683001	Holding cam, L		1	71	408775003	Stitch cam slide lever knob		1
26	410688001	Guide cam, L		1	72	410775003	Stitch dial assembly		1
27	405523001	Snap ring U4		2	73-76	416748001	Carriage cover assembly for CK		1
28	409163001	+ - Screw 3.18 × 13		2	73	416749001	Carriage cover for CK		1
29	408318001	Change cam spring, R		1	74	416750001	Raising cam lever, R		1
30	408319001	Change cam spring, L		1	75	416751001	Raising cam lever, L		1
31	417062001	Stitch cam, R		1	76	408784001	Pushing nut		4
32	417064001	Stitch cam, L		1	77	037351615	Tapping screw 3.5 × 16		4
33	416993001	Stitch cam slide plate, R		1	78-85	416720001	R connecting arm assembly		1
34	416995001	Stitch cam slide plate, L		1	78	416721001	R connecting arm		1
35	408759001	Raising cam spring		2	79	416722001	Connecting holder plate		2
36	408760001	Nut for cam slide plate		4	80	008670604	Round head screw 3.57		4
37	408761001	Washer 3.4		4	81	416723001	Yarn guide		1
38	408738001	Washer 3.4		4	82	025030336	Washer 3		2
39	408739001	Collar 3.3		2	83	060660604	Screw 3.18 - 40 × 6		2
40	408760001	Nut for cam slide plate		2	84	409605007	K carriage handle		1
41	403387001	Washer 4.6		2	85	409608001	Screw for handle		2
42	048030346	Snap ring E3		2	86	060680506	Screw 4.37 × 5		3
43	416726001	Stitch adjuster plate		1					
44	403395003	Washer 3.2		1					
45	060660506	+ - Screw 3.18 - 40 × 5		1					
46	410694001	Cam slide lever		1					



PARTS FOR NEEDLE BED FOR RIB ATTACHMENT

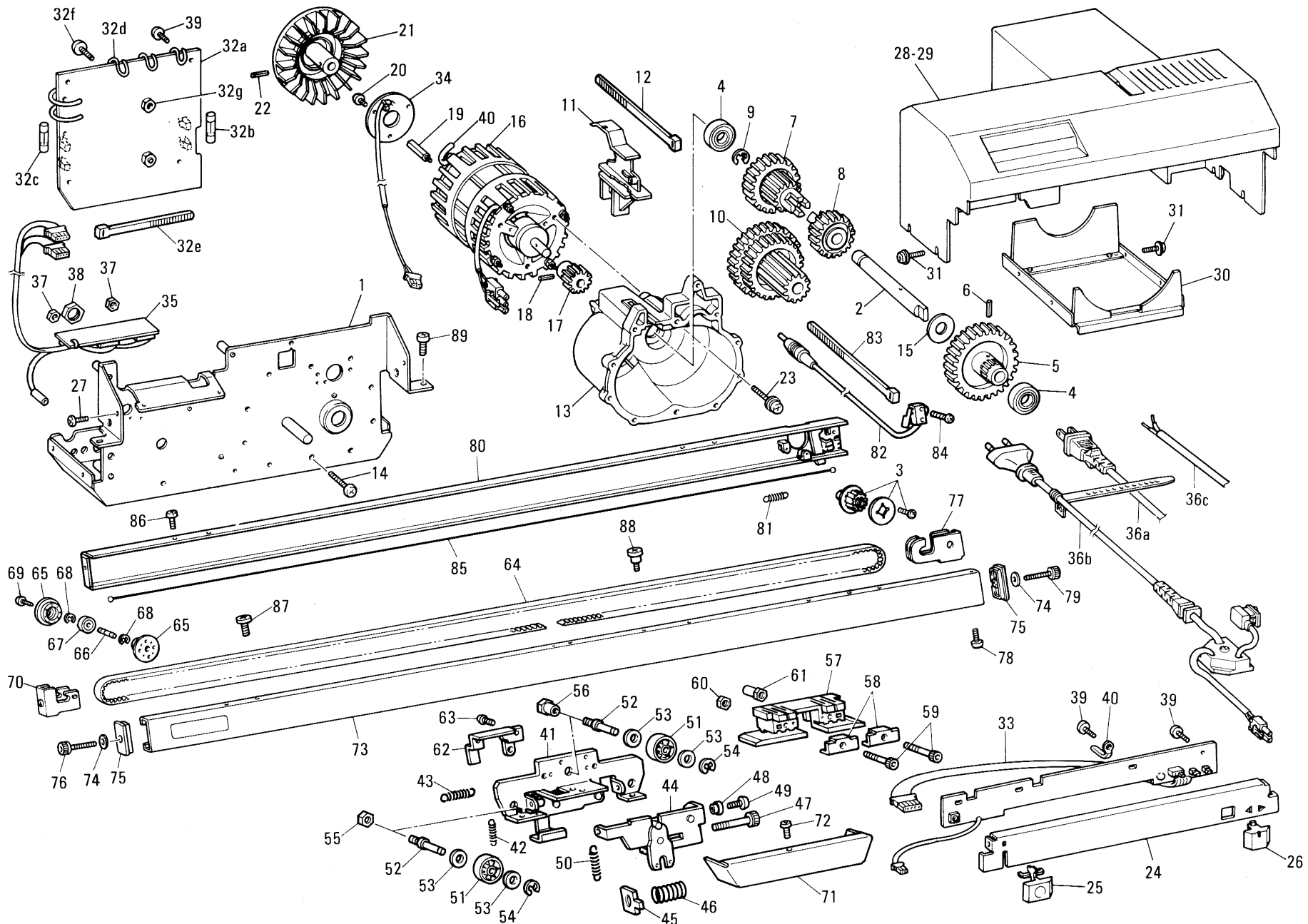
Fig: G

NEEDLE BED FOR RIB ATTACHMENT

Ref. No.	Parts No.	Description	Revised	Q'ty	Ref. No.	Parts No.	Description	Revised	Q'ty
G-1-5	416752001	Needle bed with retaining spring		1	45	416795001	Bracket, R		1
1	416753001	Needle bed		1	46	403267001	Lever spring		1
2	403368001	Needle retaining spring		1	47	416798001	Reinforcing arm		1
3	407750000	Needle retaining spring holder		1	48	408807001	Bracket stopper		1
4	062630406	Screw 2.38 - 56 × 4		2	49	408808001	Screw 4.76		1
5	062631006	Screw 2.38 - 56 × 10		8	50	417199001	Nut 4.76		1
6	416756000	R extension sub plate		2	51	408924002	Bracket spring		1
7	403208001	Plastic bar guide spring		1	52	408810001	Nut 4.76		1
8	405663001	Flat head screw 3.18		7	53	047201443	Spring pin AW2		1
9	417066001	Notch adjusting plate		1	54-62	416799001	Bracket assembly, L		1
10	403214001	Notch adjusting presser plate		1	54	416800001	Bracket, L		1
11	405663001	Flat head screw 3.18		2	55	403267001	Lever spring		1
12	404937001	Half pitch lever		1	56	416798001	Reinforcing arm		1
13	407659001	Notch plate connecting rod		1	57	408807001	Bracket stopper		1
14	403220001	Half pitch lever spring plate		1	58	408808001	Screw 4.76		1
15	021680206	Nut 4.37 - 40		1	59	417199001	Nut 4.76		1
16	403221001	Racking movement insicator		1	60	408924002	Bracket spring		1
17	403228003	Pattern range peg		2	61	408810001	Nut 4.76		1
18	406295001	+ - Screw 3.18 × 2.5		2	62	047201443	Spring pin AW2		1
19	407661001	Racking movement indicator line		1	63	417060001	Bracket knob		2
20	408791001	Needle bed comb assembly		1	64-69	416761001	R extension bed assembly, R		1
21	061630802	Flat head screw 2.38 - 56 × 8		14	64	487736001	R extension bed, R		1
22	410651001	Slide plate assembly, R		1	65	416776001	Skip operation spring, R		1
23	410652001	Slide plate assembly, L		1	66	048050346	Snap ring E5		1
24	403237001	Slide plate guide stud		2	67	416777001	Solenoid yoke assembly, R		1
25	402447003	Washer 4.4		2	68	060660406	+ - Screw 3.18 - 40 × 4		1
26	408793001	Nut 4.37 × 4		2	69	416782001	Skip release lever spring		1
27	407810001	Notch plate		1	70-75	416784001	R extension bed assembly, L		1
28	062680516	+ - Screw 4.37 - 40 × 5		1	70	487737001	R extension bed, L		1
29	407669001	Notch plate spring		1	71	416791001	Skip operation spring, L		1
30	060660606	+ - Screw 3.18 - 40 × 6		6	72	048050346	Snap ring E5		1
31	407670001	Stud screw 4.37		1	73	417039001	Solenoid yoke assembly, L		1
32	061660504	Flat head screw 3.18 - 40 × 5		2	74	060660406	+ - Screw 3.18 - 40 × 4		1
33	407671000	Gear cover		1	75	416782001	Skip release lever spring		1
34	407672000	Gear holding plate		1	76	405663001	Flat head screw 3.18		8
35	407673001	Gear		1	77	021660206	Nut 3.18 - 40		1
36	407674001	Grip spring		1	78	416793001	Solenoid cover		2
37	410725001	Needle position indicator		1	79	060660406	+ - Screw 3.18 - 40 × 4		2
38	404648001	Purl needle		200	80	416991001	Safety guide		2
39	416758001	Plastic bar		1	81	061661006	Flat head screw 3.18 - 40 × 10		2
40	405077001	Nut 2.38		14	82	416998000	Setting plate for safety guide		2
41	414251001	Collar		2	83	407675003	Grip		1
42	408792001	Spacer		2	84	408818003	Needle bed cover		1
43	062680516	Screw 4.37 - 40 × 5		1	85	416997001	Half pitch indicator		1
44	409160001	Notch plate upper spring		1	86	409016001	Yarn rest		2
45-53	416794001	Bracket assembly, R		1	87	037270816	Screw 2.6 × 8		2

NEEDLE BED FOR RIB ATTACHMENT

Ref. No.	Parts No.	Description	Revised	Q'ty	Ref. No.	Parts No.	Description	Revised	Q'ty
G-88	403226001	Washer 2.6		2					
89	410072001	Screw with washer 3.18 × 10		8					
90	403246005	Half pitch lever knob		1					
91	416803001	Side cover, R		1					
92	416804001	Side cover, L		1					
93	408194001	Plastic rivet		4					
94	416805000	Needle bed reinforcing cover		1					
95	018400837	Allen bolt 4 × 8		2					
96	026040236	Washer 4		2					
97	U50467001	+ Screw binding 3 × 10		2					



PARTS FOR MOTOR DRIVE UNIT

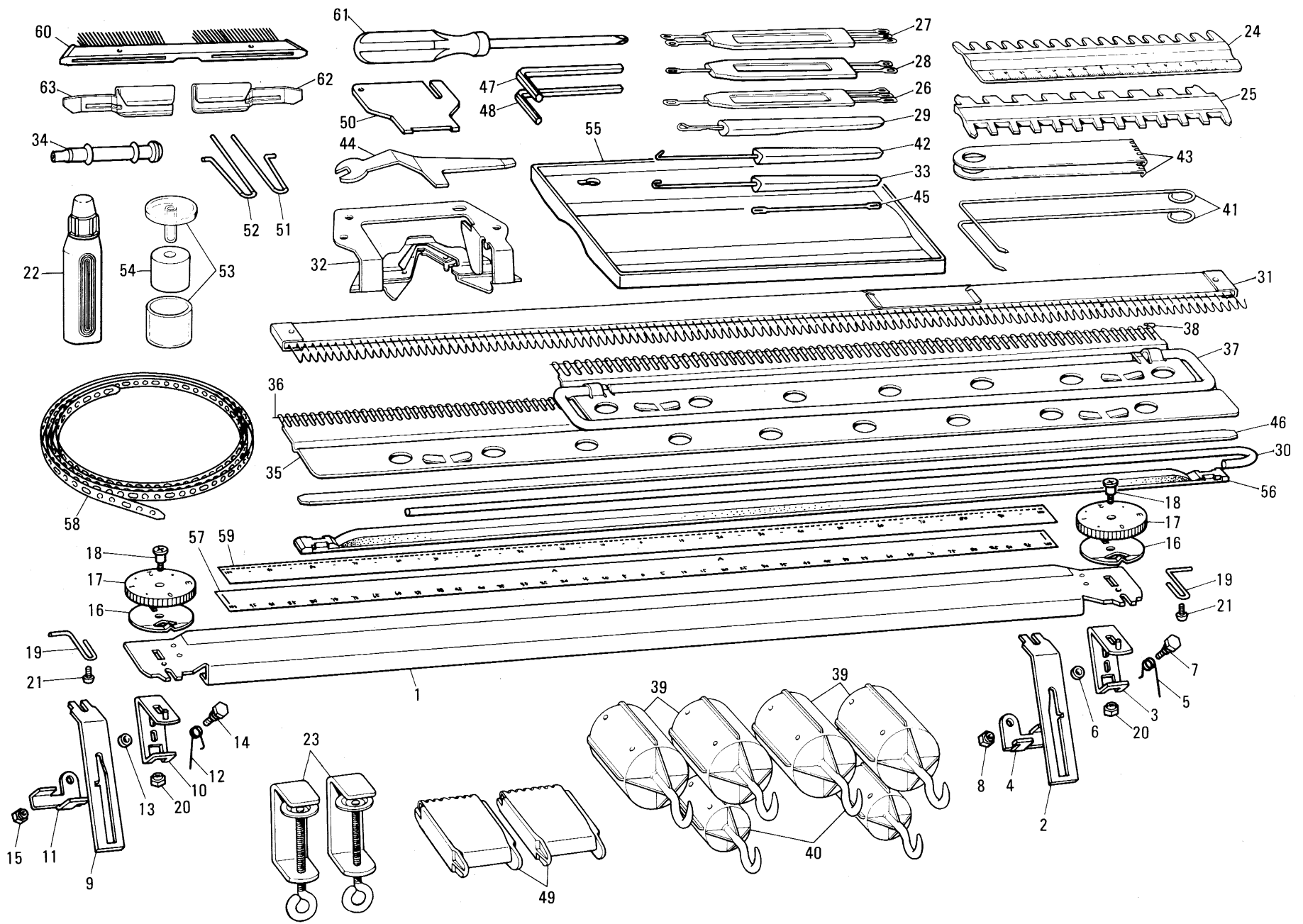
Fig: H

MOTOR DRIVE UNIT

Ref. No.	Parts No.	Description	Revised	Q'ty	Ref. No.	Parts No.	Description	Revised	Q'ty
H-1	416868001	Head frame with shaft		1	33	417087001	KE-operation PC board assembly		1
2	414678001	Driving shaft		1	34	417088001	KE-encoder assembly		1
3	414679001	Pulley assembly T10-Z12		1	35	417089001	KE-Jack PC board assembly		1
4	076001800	Ball bearing 6001Z		2	36a	415839001	AC power cord assembly #1 for 115V (UL)		1
5	415556001	M2Z34MO. 5Z40 gear		1		415003001	AC power cord assembly #3 for 120V (CSA)		1
6	047402042	Spring pin AW4		1	36b	416467001	AC power cord assembly #2 for 220V		1
7	415554001	M1.5Z234 × Z18 gear		1	36c	416468002	AC power cord assembly #4 for 240V (BS)		1
8	414685001	M1.5Z24 gear for 60Hz		1		416468001	AC power cord assembly #4 for 240V		1
	417165001	M1.5Z28 gear for 50Hz		1	37	414988001	Nut #1 for Jack		2
9	048090346	Snap ring E9		1	38	414989001	Nut #2 for Jack		1
10	415555000	M1.5Z46 × 40 gear for 60Hz		1	39	060030804	+ - Screw 3x8		11
	417164001	M1.5Z36MZ14 gear for 50Hz		1	40	415118001	Cord clip CS		1
11	414692002	Speed change knob		1	41	416872001	Slider base		1
12	416531001	Cord binder T18L		1	42	416881001	Shift lock spring		1
13	414694000	Gear box		1	43	416882001	Function arm spring		1
14	037421617	Tapping screw 4 × 16		10	44-46	416883001	Coupler assembly		1
15	415123000	Washer 12		1	44	416884001	Coupler		1
16	236870001	KM103 Motor #2 (for 220V)		1	45	414968001	Indicator for cupling torque		1
	236868001	KM101 Motor #2 (for 100V)		1	46	414969001	Coupler spring		1
	236869001	KM102 Motor #2 (for 120V/UL/CSA)		1	47	415006002	Allen bolt 5 × 40		1
17	415553000	M1.5Z14 gear		1	48	416891001	Collar		1
18	047251642	Spring pin AW2.5		1	49	060500806	+ - Screw 5 × 8		1
19	414938000	Encoder PC board supporter		3	50	416892001	Shift lock spring		1
20	062300606	Screw 3 × 6		3	51-54	414751001	Roller assembly		3
21	417047001	Motor fan		1	51	414752000	Roller		3
22	047402042	Spring pin AW4		1	52	414753001	Shift for roller		3
23	415911001	Screw 4 × 25 with two washers		3	53	414754001	Washer		6
24	414721001	Front panel		1	54	048080345	Snap ring E8		3
25	414722001	Start/Stop switch key		1	55	021080305	Nut 8		2
26	417137001	Mode selector knob		1	56	416895001	Wire guide, R		1
27	060300804	+ - Screw 3 × 8		2	57	414755000	Clamp for driving belt		1
28	416870001	Motor head upper cover CK		1	58	416896001	Belt presser plate		2
29	417169001	Motor head upper cover CK (UL/CSA)		1	59	018503031	Allen bolt 5 × 30		2
30	414743001	Motor head lower cover		1	60	021500205	Nut 5		1
31	415179001	Screw with washer 3 × 8		10	61	416897001	Wire guide, L		1
32a-g	417091001	KE-main PC Board assembly (240V)		1	62	416898000	Wire cover		1
	417086001	KE-main PC board assembly (117V/UL/CSA)		1	63	060300406	+ - Screw 3 × 4		2
	417090001	KE-main PC board assembly (220V)		1	64	416899000	Driving belt		1
32b	U16169000	Tubular fuse 4A-TSC (117V/UL/CSA)		1	65-69	414758001	Idle pilley assembly		1
	410475001	Tubular fuse 2A (220V/240V)		1	65	414759000	Idle pulley		2
32c	414879001	Tubular fuse 0.2A (220V/240V)		1	66	414760001	Idle pulley shaft		1
	414998001	Tubular fuse 0.2 - MT4 (117V/UL/CSA)		1	67	070608800	Belt bearing 0608ZZ		1
32d	414986001	Cord clip		5	68	048060346	Snap ring E6		2
32e	414844001	Cord binder T18S		2	69	037281415	Tapping screw 2.6 × 14		4
32f	062401006	Screw 4 × 10		2	70	414761001	Holder for idle pulley		1
32g	021400206	Nut 4		2	71	416900001	Shuttle cover		1

MOTOR DRIVE UNIT

Ref. No.	Parts No.	Description	Revised	Q'ty	Ref. No.	Parts No.	Description	Revised	Q'ty
H-72	060300804	+ - Screw 3 × 8		3					
73	416901001	Rail frame for CK		1					
74	027050126	Washer with stopper 5		2					
75	414770001	End cover		2					
76	415151001	Allen bolt 5 × 20		1					
77	414870001	Holder for pulley, R		1					
78	060500806	+ - Screw 5 × 8		1					
79	415990001	Allen bolt 5 × 25		1					
80	416903001	Belt cover for CK		1					
81	416909001	Switch lever spring		1					
82	417174001	Micro switch assembly #2		1					
83	414844001	Cord binder T18S		1					
84	062021005	Screw 2 × 10		2					
85	416910000	Jam sensor wire		1					
86	416549001	Round head screw 3 × 6		4					
87	060500806	+ - Screw 5 × 8		4					
88	411327001	Stud screw for accessory tray		2					
89	060500806	+ - Screw 5 × 8		2					



PARTS FOR ACCESSORIES

Fig: J

ACCESSORIES

Ref. No.	Parts No.	Description	Revised	Q'ty	Ref. No.	Parts No.	Description	Revised	Q'ty
J-1-21	416961001	Presser unit		1	44	410759001	Adjusting tool		1
1	416962001	Presser		1	45	486101001	Double eyelet transfer needle		1
2-8	416965001	Presser bracket R assembly		1	46	409114002	Fine knitting bar		1
2	416966001	Presser bracket, R		1	47	414940001	Allen bar wrench 4		1
3	416967001	Presser slider		1	48	416988001	Allen bar wrench 3		1
4	416970001	Presser lever, R		1	49	404883006	Claw weight		2
5	416971001	Presser lever spring, R		1	50	416989001	Coupler reset chip		1
6	416972001	Collar 6		1	51	416990001	Yarn guide, R		1
7	416973001	Stud screw		1	52	417046001	Yarn guide, L		1
8	416974001	Nut		1	53&54	487221001	Yarn wax with case		9
9-15	416975001	Presser bracket L assembly		1	55	411353001	Accessory plate		1
9	416976001	Presser bracket, L		1	56	409643003	Needle presser bar assembly		1
10	416967001	Presser slider		1	57	410157001	Needle position indicator		1
11	416977001	Presser lever, L		1	58	410186001	Timing belt		1
12	416978001	Presser lever spring, L		1	59	410725001	R Needle position indicator		1
13	416979001	Collar 7		1	60	416860001	Brush		1
14	416973001	Stud screw		1	61	412368001	Screw driver #2 × 62		1
15	416974001	Nut		1	62	408829001	End stitch presser, R		1
16	416980001	Presser dial spring		2	63	408855001	End stitch presser, L		1
17	416981001	Presser dial		2					
18	416982001	Presser dial shaft		2					
19	417061001	Presser yarn guide		2					
20	416974001	Nut		2					
21	409621001	+ - Screw with washer 3.18 × 4		4					
22	405135004	Special knitting machine oil		1					
23	416983001	Table clamp		2					
24	407482004	1/1 Needle pusher		1					
25	408827003	1/1 × 2/2 Needle pusher		1					
26	402575005	1 × 3 Transfer tool		1					
27	402631005	2 × 3 Transfer tool		1					
28	402576005	1 × 2 Transfer tool		1					
29	407458004	Latch tool		1					
30	416985001	Presser bar		1					
31	412878001	Cast-on comb assembly		1					
32	410971001	Plating yarn feeder assembly		1					
33	416986001	Yarn threader		1					
34	416952001	Yarn holder		3					
35	410765001	Cast-on plate, long		1					
36	410766000	Wire, long		1					
37	410767001	Cast-on plate, short		1					
38	410769000	Wire, short		1					
39	408014001	Large weight		4					
40	408015001	Small weight		2					
41	403285000	End stitch presser		2					
42	403286003	Work hook		1					
43	403313001	Claw weight hanger		4					

BROTHER INDUSTRIES, LTD.
The part No. is subject to change without notice.

Printed in Japan
491010071 ②