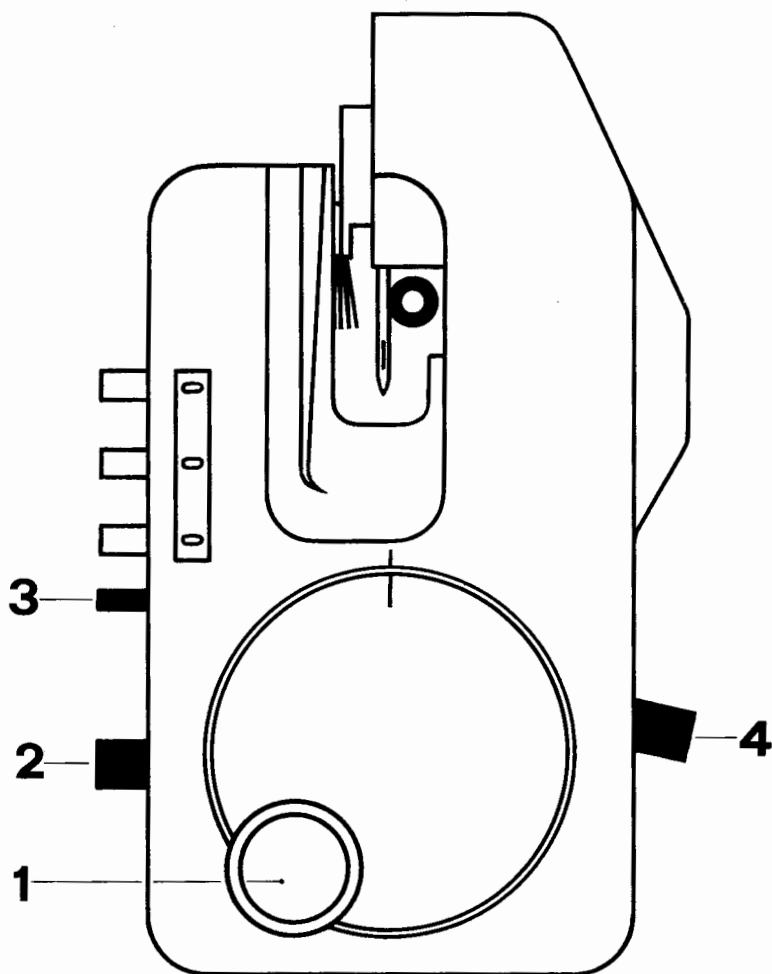


# TRICOFIT

english



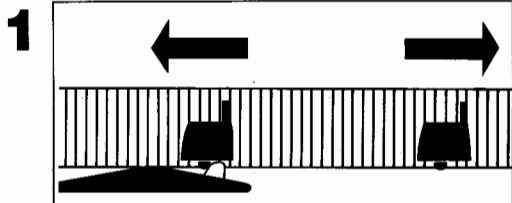
MADAG Maschinen-und Apparatebau Dietikon AG  
CH-8952 Dietikon  
33.234.63/2

included languages:

deutsch français english italiano español  
português nederlands türkce arabic

1. Handwheel knob
2. Main lever
3. Catch
4. Stitch-releaser

# Casting off stocking stitch single bed knitting with the yarn used for knitting



Before casting off, the lock must always be on the right of the knitting.

Push the edge springs and the cam of the row counter out of the way.

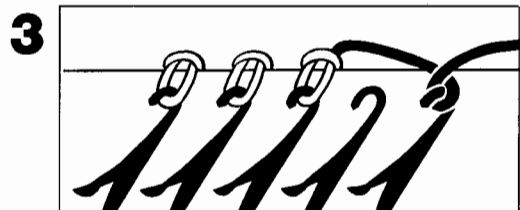
Make sure the latches of the first two needles are open.

2

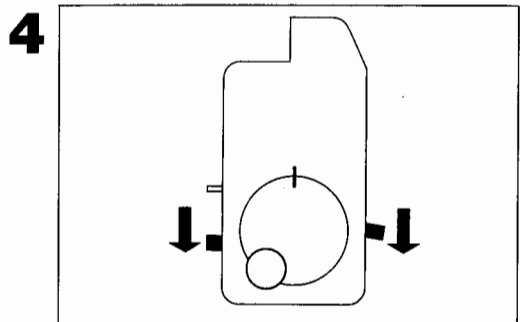
Take the feeding eyelet which was used for knitting out of the lock.

(To do this, disengage the front lock.)

(Note: If you knit with the ELECTRONIC 6000, only ever use the feeding eyelet from the lock for casting off if you are right at the end of the piece of knitting. In all other cases cast off with some yarn from a second ball, see page 5, to avoid disengaging the front lock.)



Counting from the right edge of the knitting, push the second empty needle to Working Position. Wind the yarn that was used for knitting round this needle.

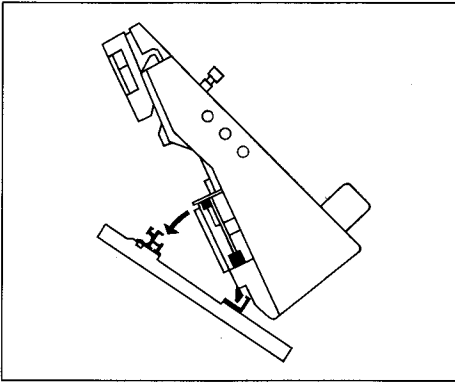


Handwheel knob with **both bars in a line** = "zero" position.

Main lever **down** = "off".

Stitch releaser **down** = "release".

5

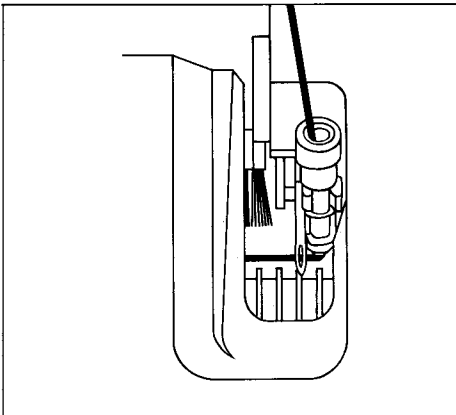


Place the casting off device TRICOFIT onto the needle bed, to the right of the needles in Working Position, as follows:

Fit the lower guide of the TRICOFIT into the lower guide rail, tilt the casting off device to the back onto the needle bed, locking it into place with a short downwards press of the catch.

(The device cannot be lifted off the needle bed without activating the catch first.)

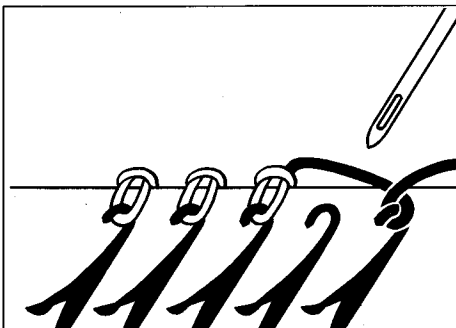
6



Insert the feeding eyelet into the TRICOFIT by first pulling the yarn between the feeding eyelet and the knitting from above to the back between the brush and the casing. **Make sure the yarn lies underneath the decker needle.**

Place the point of the feeding eyelet into the lower support, then tip the feeding eyelet to the back making sure it is safely locked in the upper support.

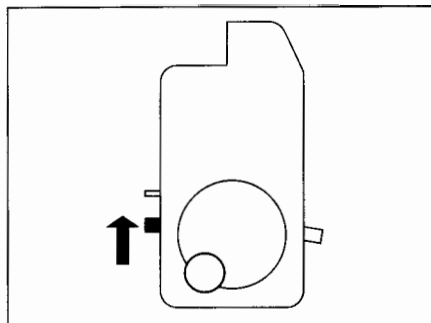
7



Move the TRICOFIT to the left until the decker needle points to the needle channel between the knitting and the needle round which the yarn was wound.

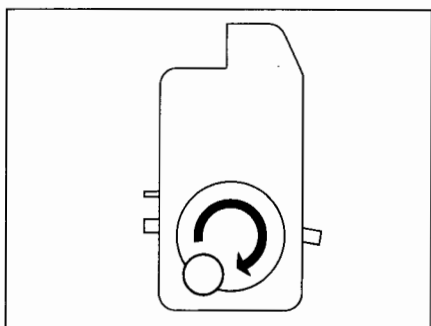
Pull the yarn down behind the yarn tensioner.

(If you do not wish to release the cast off stitches, push the stitch releaser up before moving the casting off device to the edge of the knitting.)

**8**

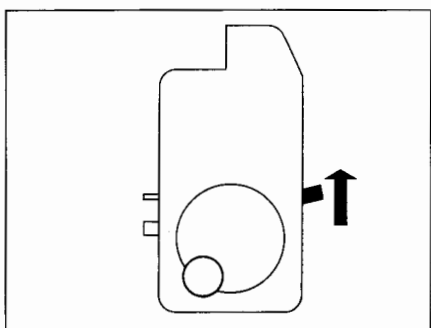
Move **the main lever up = "on"**. We recommend pulling the knitting down gently when doing this.

(Check if the latches of the first three needles are still open.)

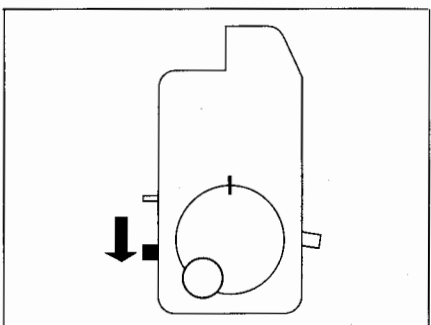
**9**

Turn **the handwheel clockwise to the right**.

(Be sure you are not pressing down on the TRICOFIT or pushing it in the operating direction.)

**10**

Before coming to the last three or four stitches, **push the stitch releaser up**. Continue to turn the handwheel until the TRICOFIT is past the actual knitting. Break off the yarn between the knitting and the TRICOFIT and pull it through the last stitch. Release the remaining stitches.

**11**

To remove the TRICOFIT from the needle bed, proceed as follows:

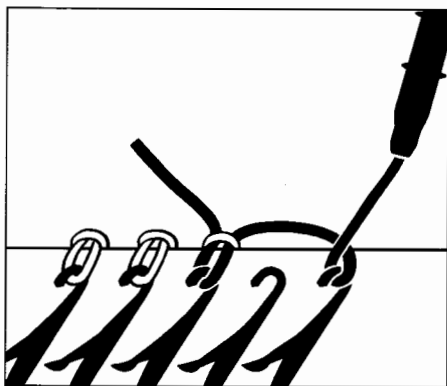
**Main lever down = "off"**

**Handwheel with bars aligned = "zero" position**

Press catch down.

## Casting off with yarn from a second ball

---



You can also cast off with yarn coming from a ball other than the one used for the knitting.

(If you have knitted in a fancy yarn, e.g. bouclé, you will have to use a smooth yarn for your cast-off.)

Thread a feeding eyelet with this yarn.

Knit off by hand the last stitch at right using the end of the yarn coming out at the lower end of the feeding eyelet.

You can either pull down the loose yarn end between the needle beds or leave it lying across the back needle bed.

Continue as given for single bed stocking stitch following from no 3, page 2.

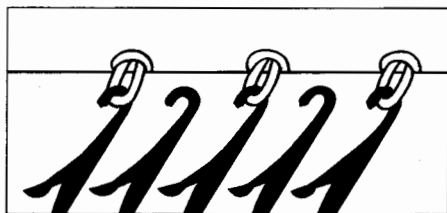
Make sure the yarn remains well stretched while you are moving the TRI-COFIT, so that the yarn does not jump out of the needle round which it was wrapped.

While casting off, turn the handwheel with your right hand while letting the yarn run through your left hand to keep it as taut as if it were coming from the yarn tensioner.

---

## Single bed casting off, when not knitting with all needles

---



Push to Working Position all the empty needles between the needles you have used for knitting. Make sure all the latches of needles are open.

Then continue as given for stocking stitch.

---

# Casting off double bed knitting

---

## 1. By transferring the stitches

First, transfer all stitches from the back to the front bed. Then, continue as given for single bed stocking stitch.

If you have been knitting with rather thick yarn, we recommend you first knit one row in stocking stitch on the front bed.

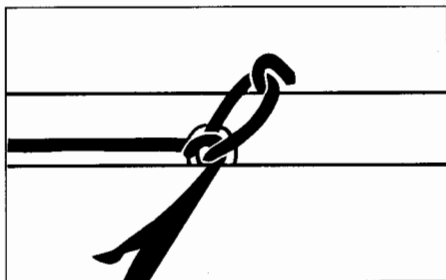
## 2. Without transferring the stitches

If you don't want to transfer all the stitches to the front bed, proceed as for casting off tubular knitting, i.e. you first cast off the front bed stitches from right to left, then the back bed stitches from left to right.

---

# Casting off tubular knitting

---



For the front bed stitches, proceed as given for single bed stocking stitch.

After casting off the front bed stitches, do not break the yarn off. With a crochet needle pick up the stitch on the last needle on the left on the front bed and stretch it until you can place it into the needle opposite on the back bed without, however, lifting it out of its original needle head. The stitch should now be on the last two needles on the left. Lift the TRICOFIT off the needle bed (with main lever down = "off", handwheel in zero position, and pressing catch down).

Turn the TRICOFIT and place it onto the back needle bed at left of the knitting.

Move it to the right until the decker needle is in line with the last empty needle channel to the left of the knitting.

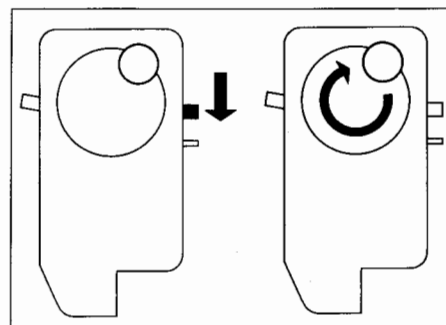
Pull the yarn down behind the yarn tensioner.

Main switch up = "on".

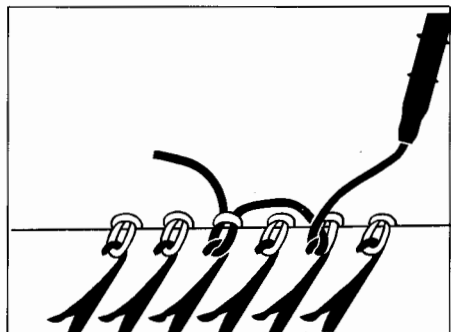
Turn the handwheel clockwise.

Complete the casting off as given for stocking stitch.

---



# Casting off stitches at the centre of the knitting



(If you are knitting on both beds, first transfer the stitches from the back to the front bed at the place where you wish to cast off.)

Thread a feeding eyelet with the yarn you want to use for casting off.

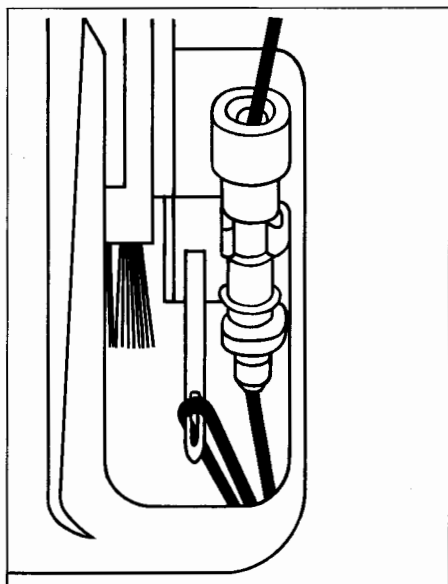
Starting from the right, knit off by hand the first stitch to be cast off, using the end of the yarn protruding from the lower end of the feeding eyelet.

Pull the loose yarn end down between the needle beds.

Wrap the yarn leading to the feeding eyelet round the second needle on the right of the needle from which the stitch was knitted off by hand.

(Note: the stitch already on that second needle must remain on the needle.)

Position the TRICOFIT onto the needle bed on the right of the knitting, and prepare as given for casting off for stocking stitch single bed. Guide the TRICOFIT to the left, across the stitches that do not need to be cast off. Stop when the decker needle faces the needle in between the first stitch to be cast off and the wrapped needle.



Set stitch counter to zero by turning each one of the three knobs.

Turn the handwheel clockwise until the number of stitches you wish to cast off shows on the stitch counter.

(If the yarn with which you are casting off, is not threaded through the yarn guide, hold it lightly by letting it run through your fingers.)

To remove the TRICOFIT, the handwheel must be in zero position, i.e. with bars aligned.

Main lever down, i.e. on "off".

Now, press catch down and carefully lift the TRICOFIT off the needle bed without dropping the stitch on the decker needle.

To secure this stitch, break the yarn and pull it through the stitch.

Pull the loose yarn end down between the needle beds.

# Chain stitch cast on for single bed stocking stitch



Push the locks without the feeding eyelet to the left end of the needle bed.

Push all needles to be cast on with into Working Position.

Make sure all latches are open.

The yarn with which you want to cast on must be threaded. Set the yarn tension to 1.

Form a loop (neither too small nor too big = approx. 2–3 mm) using the end of the yarn coming from the lower end of the feeding eyelet. Place this loop into the first needle on which you wish to cast on.

Pull the loose end of the yarn down between the two needle beds. Then, follow instructions for casting off stocking stitch as given on page 2 (wrapping yarn round second needle on the right, placing feeding eyelet into TRICOFIT, etc.).

**Note:** Before placing the TRICOFIT onto the needle bed, push the stitch-releaser up to “non-release” position.

On finishing the casting on, remove the feeding eyelet from the TRICOFIT and place it into the lock.

Take the TRICOFIT off the needle bed, and continue to knit in stocking stitch.

(If you knit with the ELECTRONIC 6000, programme cast-on 6, then follow all the instructions with the exception of “COL 1”, i.e. do not take a feeding eyelet into the lock. At display END C O (end cast-on), move the lock once more to the left across the needles and proceed as given above.)

## What to do, if...

The TRICOFIT gets stuck in the knitting.

Proceed as follows:

If possible, turn the handwheel to zero position at the same time lifting the TRICOFIT slightly. Always press the catch down before lifting the TRICOFIT off the needle bed.

Replace it onto the needle bed at right of the knitting as given on page 2 and 3, under 4 and 5.

Place the stitches that are behind the latches back into the needle heads, and align the needles in Working Position.

Guide the TRICOFIT to the left across the stitches already cast off until the decker needle is right on top of the last but one needle that has been cast off.

Push the main lever up and continue to cast off.

Proceed in the same way if a malfunction occurs while casting on.