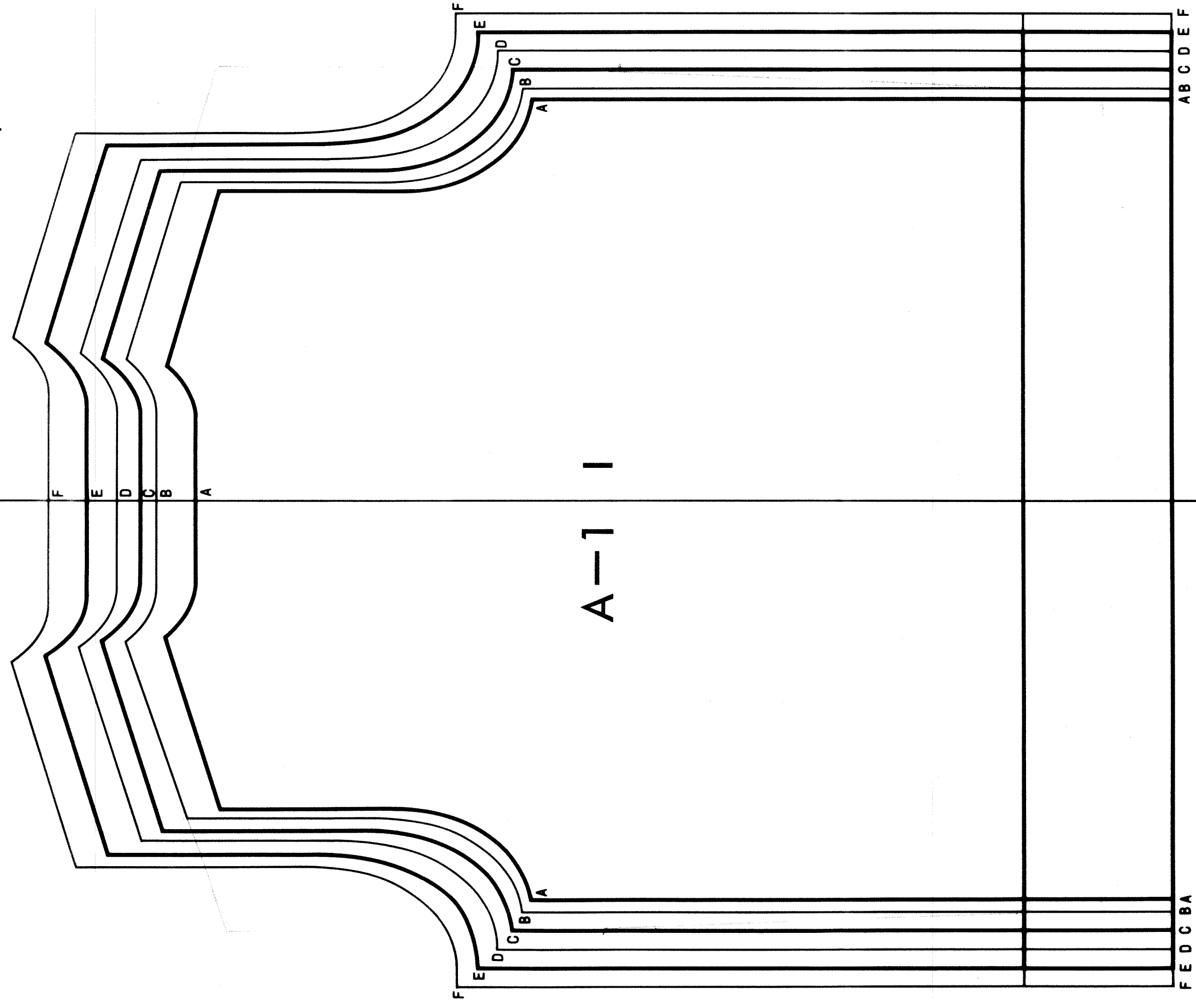
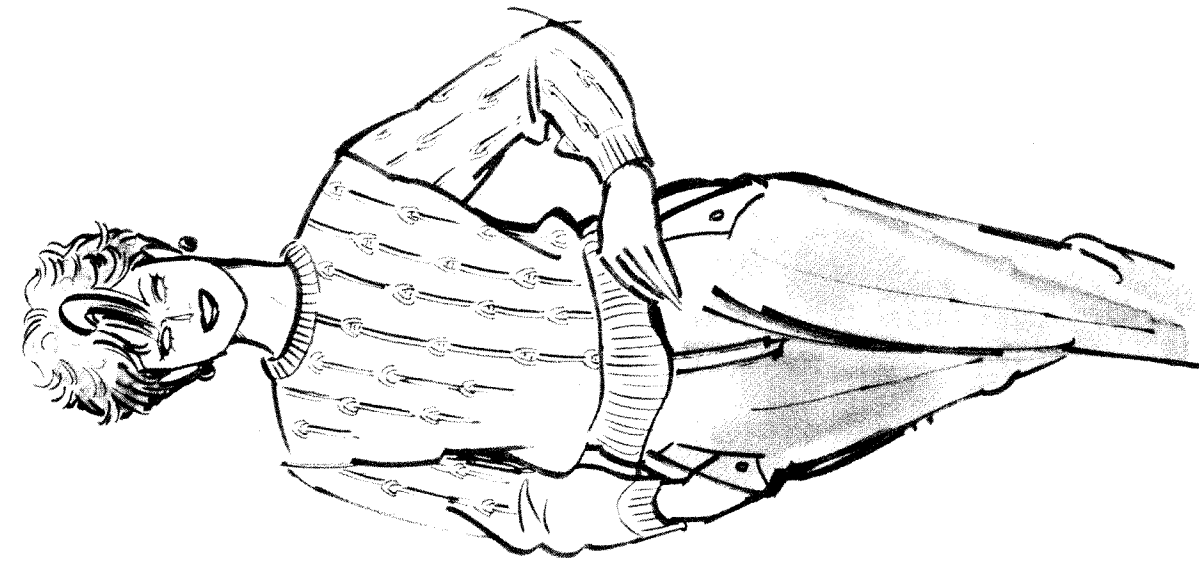
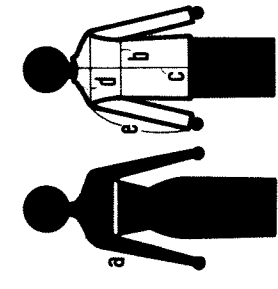


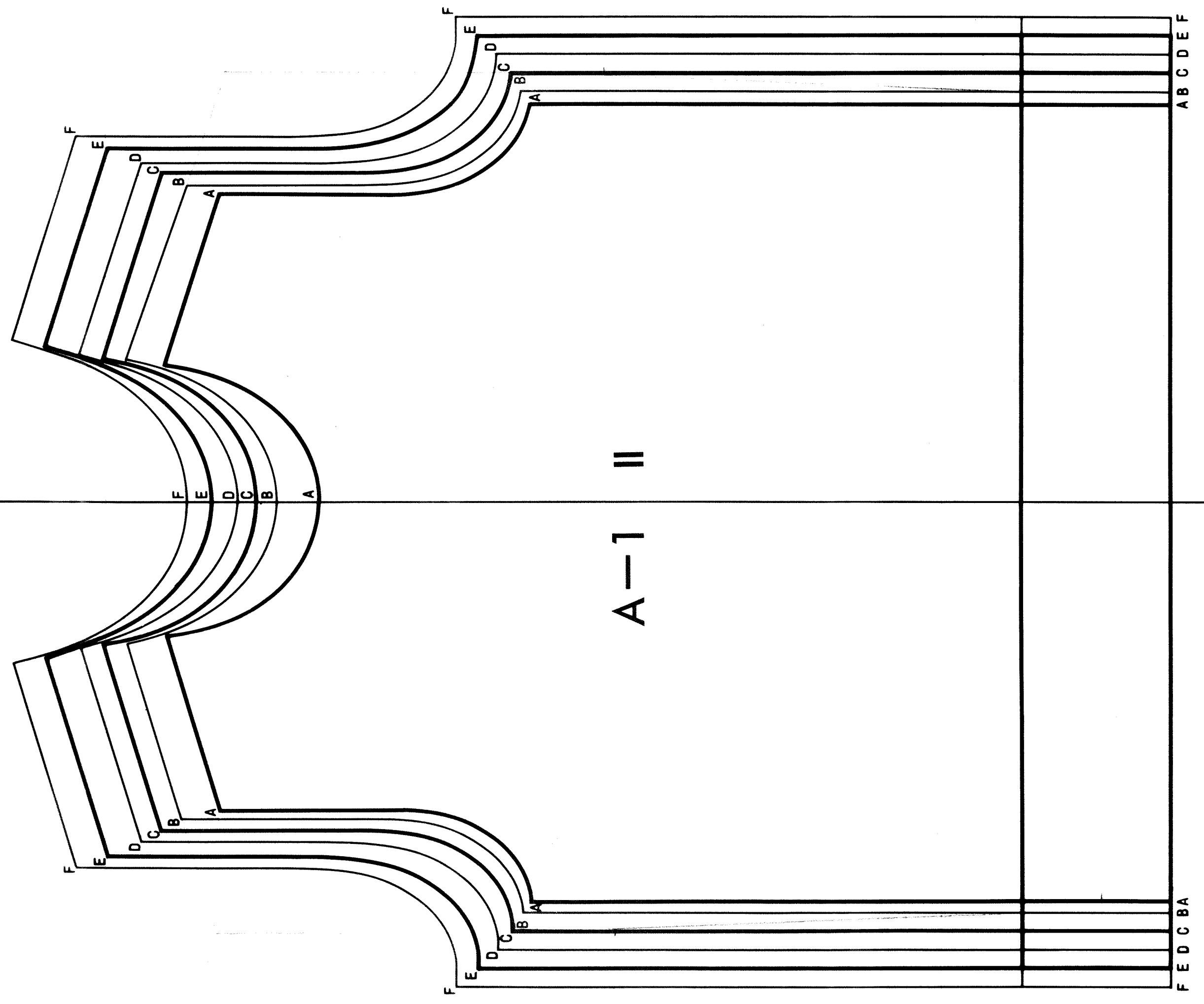
Silver Reed
Knit Radar Patterns
For All Machines

	A	B	C	D	E	F
a	82.5cm (32 ¹ / ₂)	85cm (33 ¹ / ₂)	87.5cm (34 ¹ / ₂)	91cm (35 ³ / ₈)	95cm (37 ³ / ₈)	99cm (39 ¹ / ₂)
b	85.5 (33 ³ / ₈)	88 (34 ⁵ / ₈)	92 (36 ¹ / ₂)	96 (37 ³ / ₈)	100 (39 ³ / ₈)	104 (41)
c	53 (20 ⁷ / ₈)	55 (21 ⁵ / ₈)	56 (22)	57 (22 ¹ / ₂)	59 (23 ¹ / ₄)	62 (24 ³ / ₈)
d	33 (13)	34 (13 ³ / ₈)	35.5 (14)	37 (14 ¹ / ₂)	38 (15)	39.5 (15 ⁵ / ₈)
e	54 (21 ¹ / ₂)	56 (22)	58 (22 ⁷ / ₈)	58.5 (23)	60 (23 ⁵ / ₈)	61 (24)



A-1

2



A-1 II

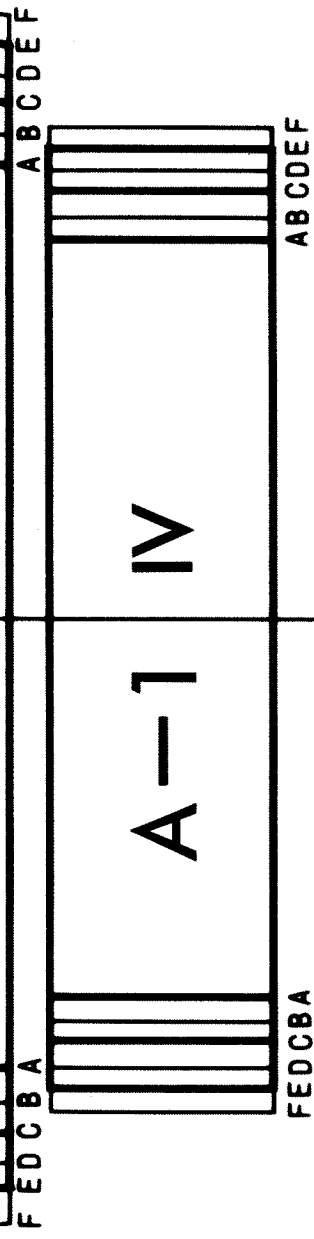
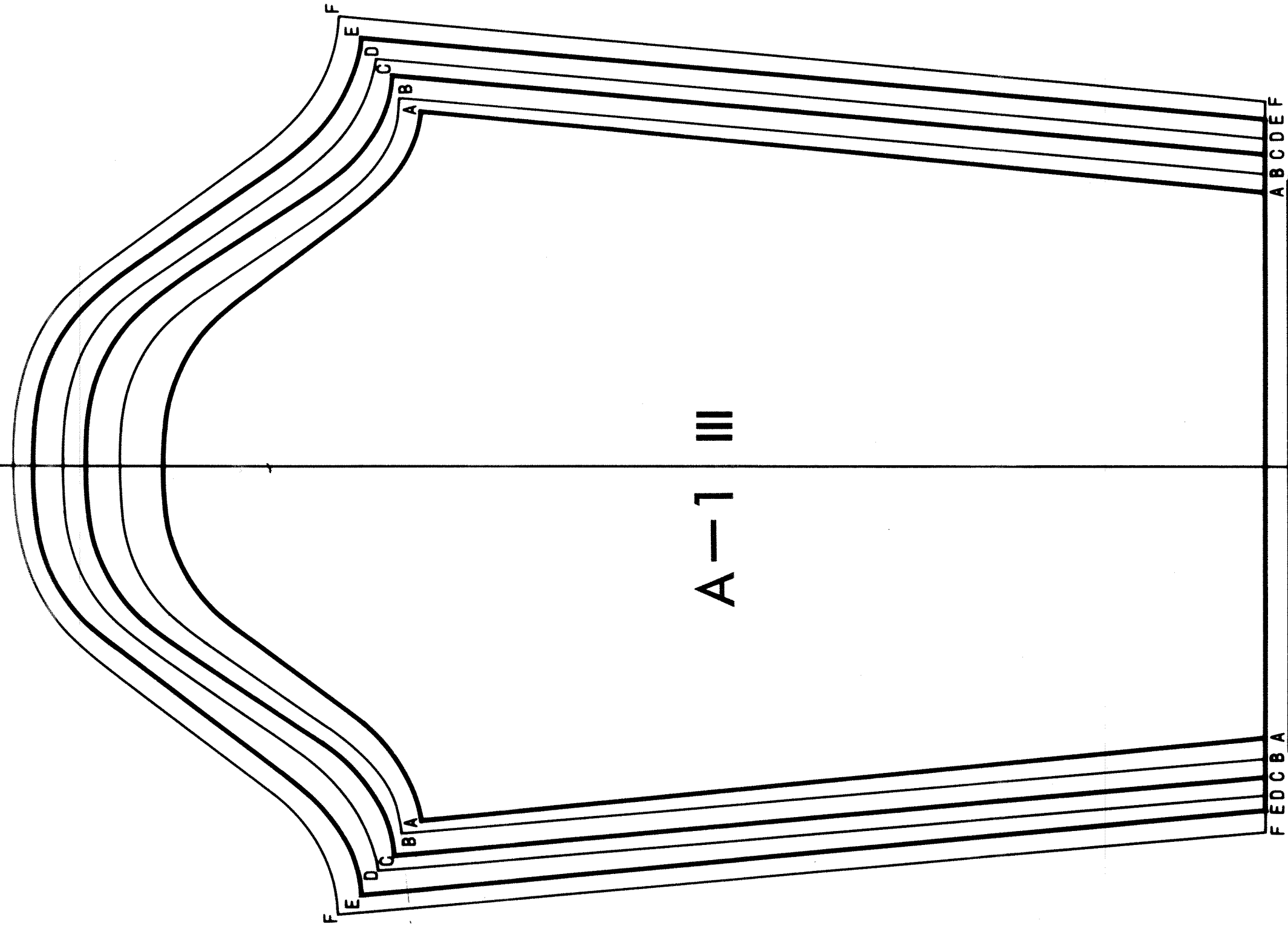
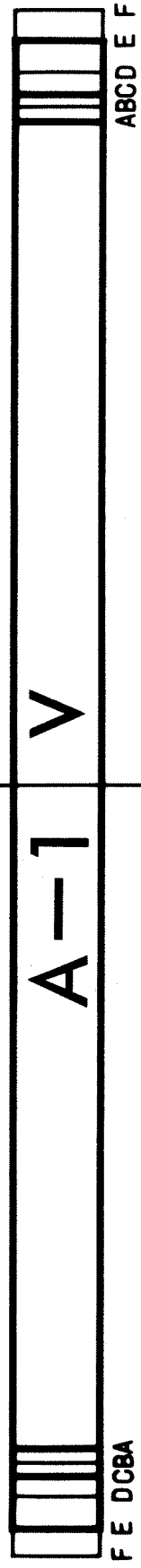
F E D C B A

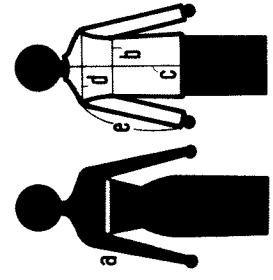
A B C D E F



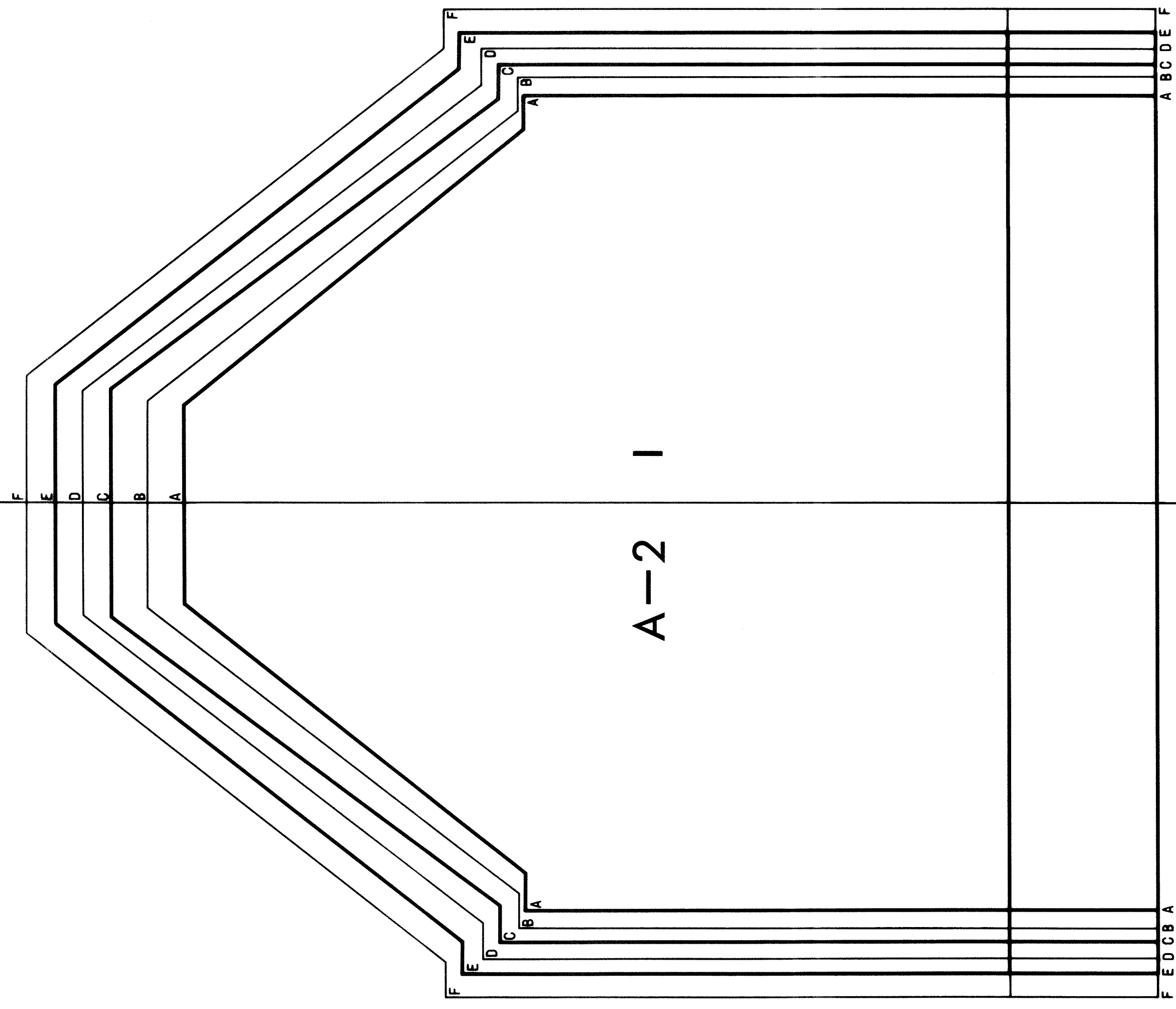
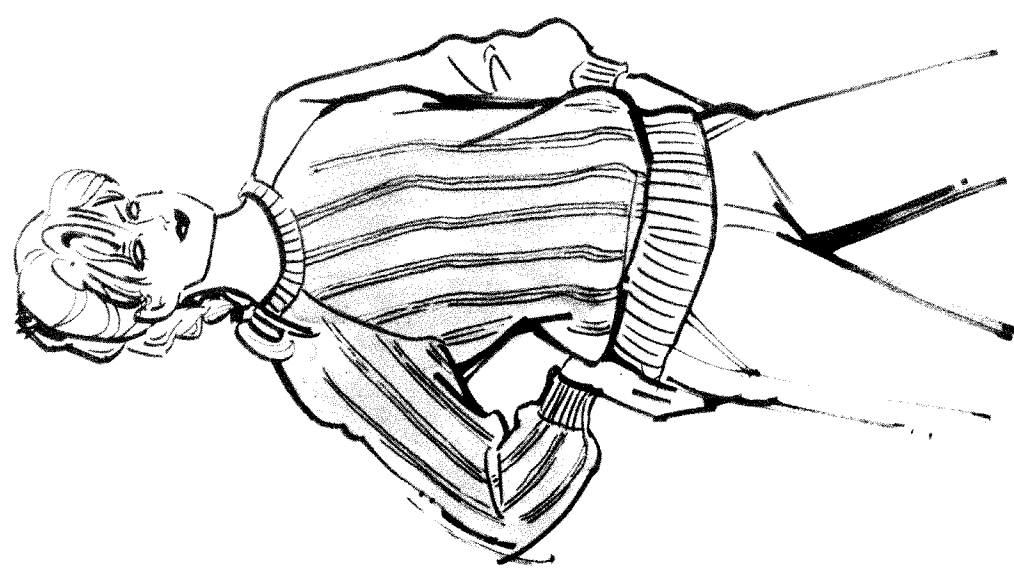
A-1

3



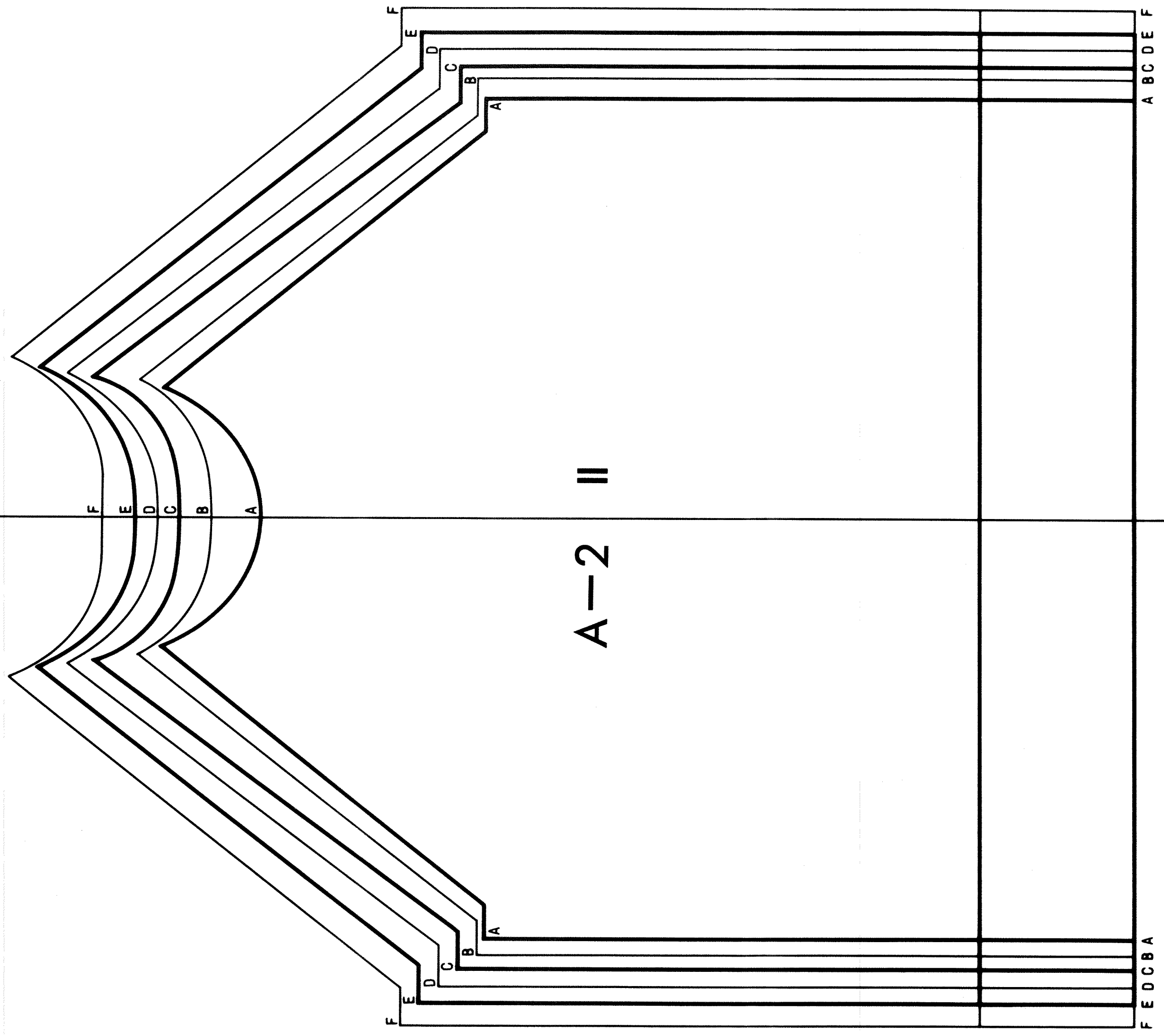


	A	B	C	D	E	F
a	82.5cm (32 ¹ / ₂)	85cm (33 ¹ / ₂)	87.5cm (34 ¹ / ₂)	91cm (35 ⁷ / ₈)	95cm (37 ³ / ₈)	99cm (39")
b	88 (34 ⁵ / ₈)	92 (36 ¹ / ₄)	94 (37)	98 (38 ⁵ / ₈)	102 (40 ¹ / ₂)	107 (42 ¹ / ₂)
c	52.5 (20 ⁵ / ₈)	55 (21 ⁵ / ₈)	56.5 (22 ¹ / ₄)	58 (22 ⁷ / ₈)	59.5 (23 ³ / ₈)	61 (24)
d	34 (13 ³ / ₈)	35 (13 ³ / ₄)	36 (14 ¹ / ₈)	37 (14 ¹ / ₂)	38 (15)	39 (15 ³ / ₈)
e	56 (22)	57 (22 ¹ / ₂)	58 (22 ³ / ₄)	58.5 (23)	59.5 (23 ³ / ₈)	61 (24)



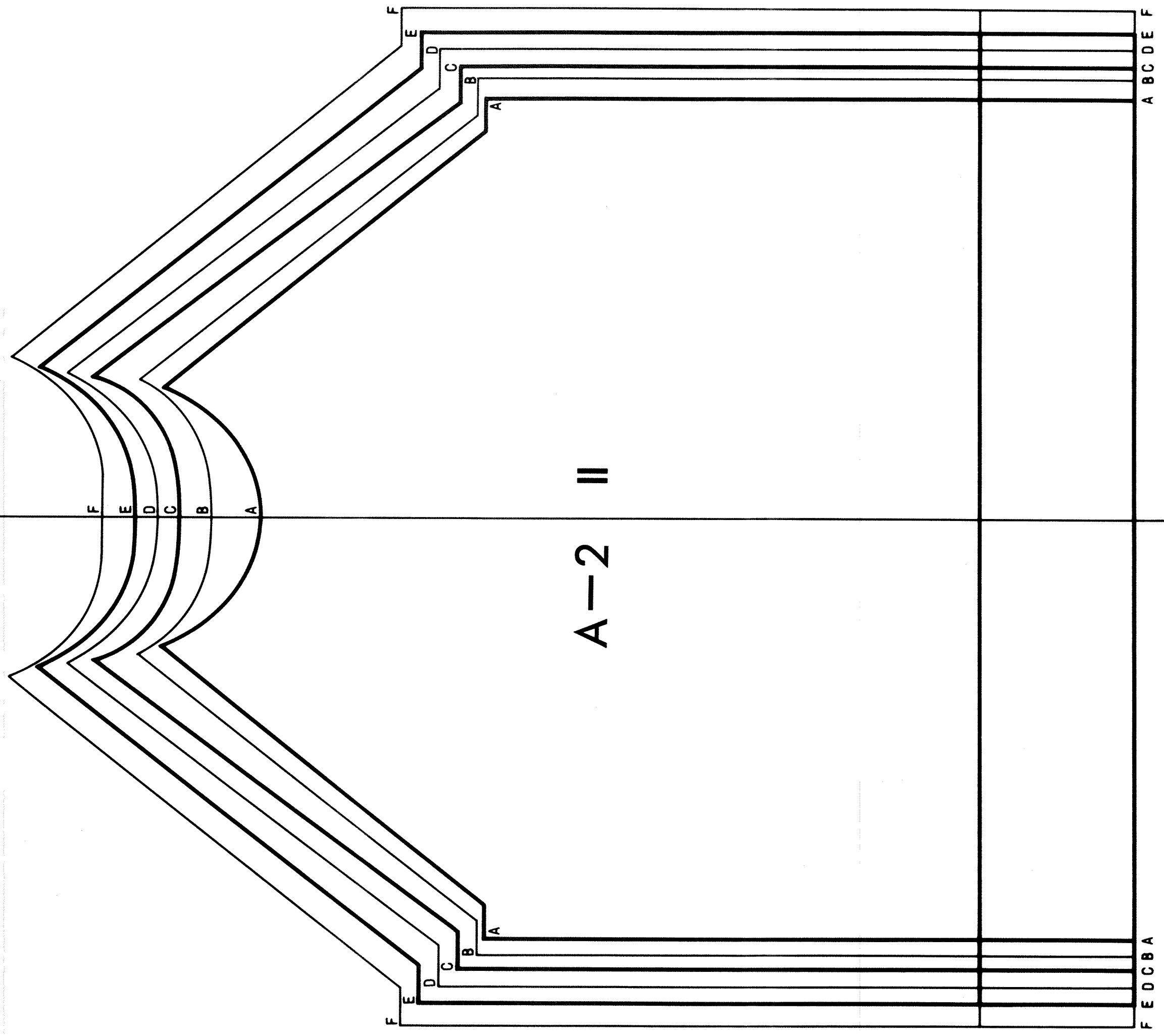
A-2

5



A-2

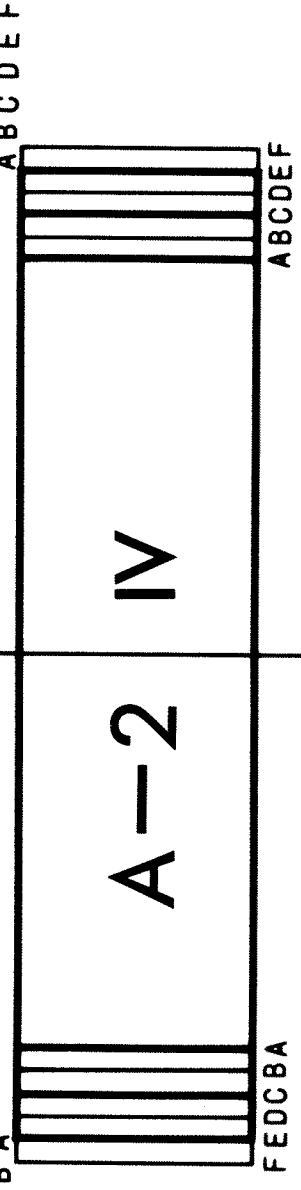
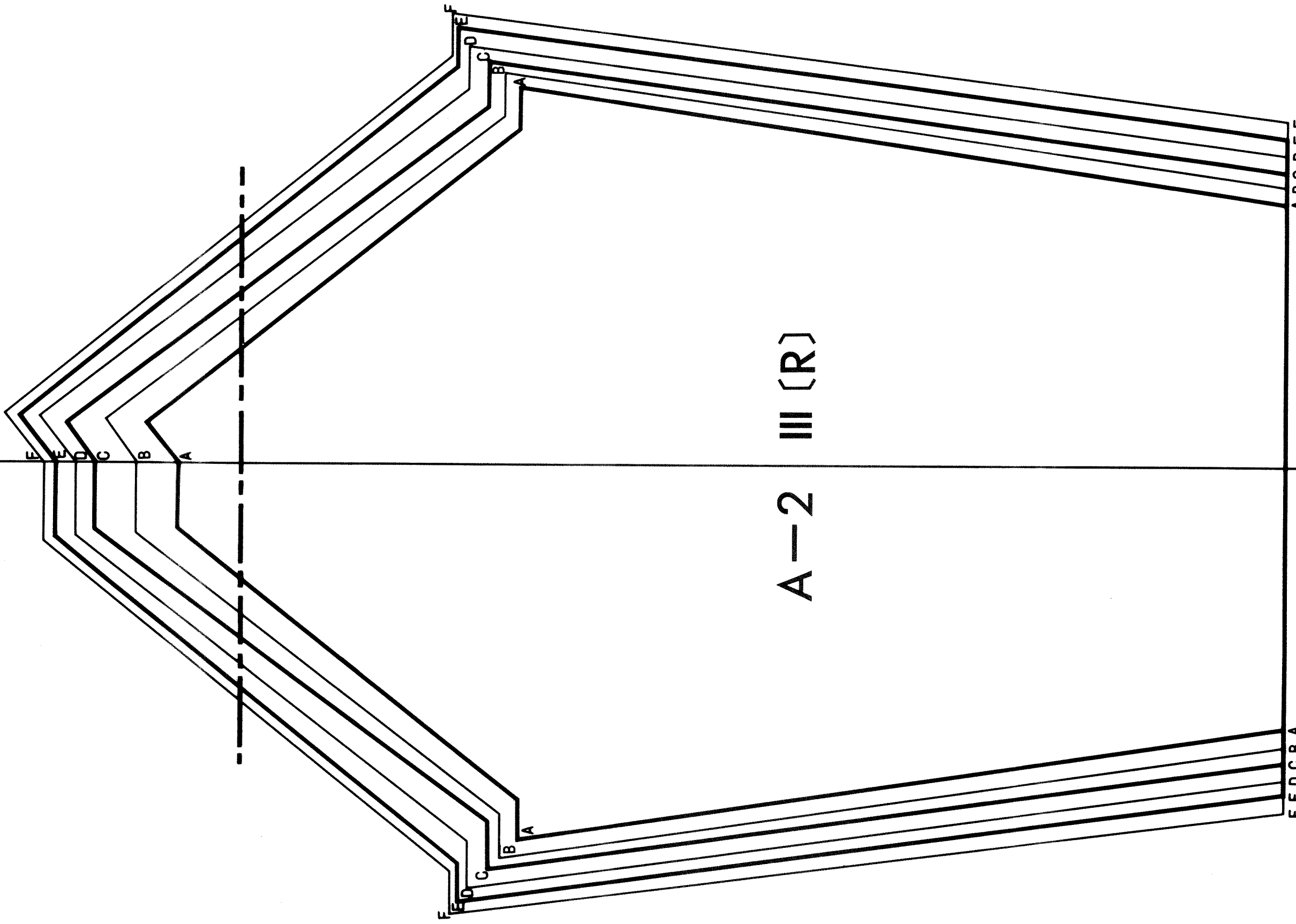
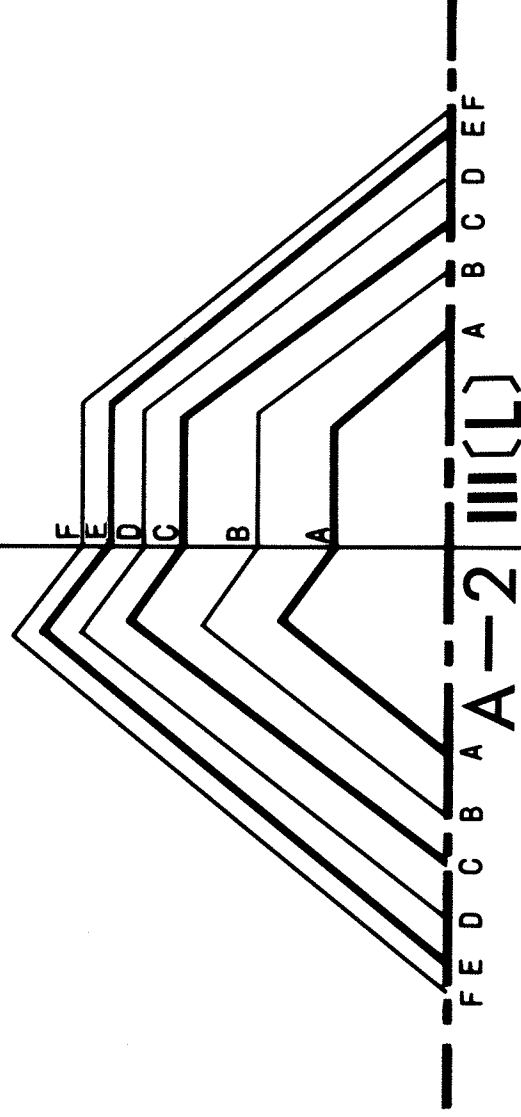
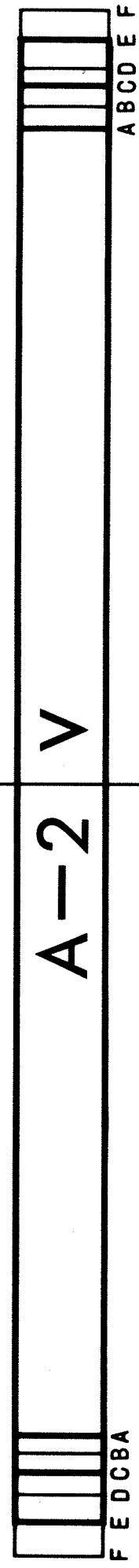
5



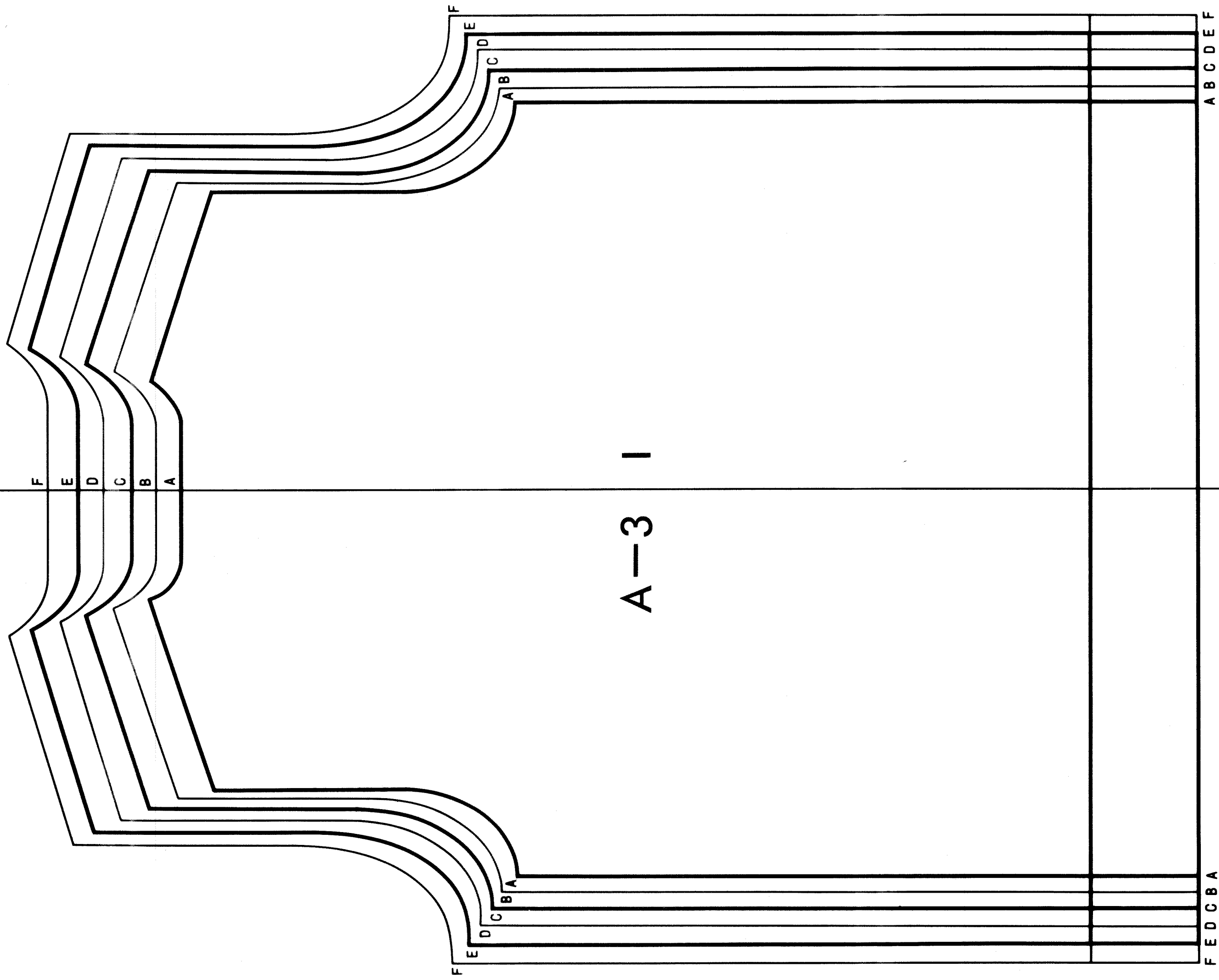
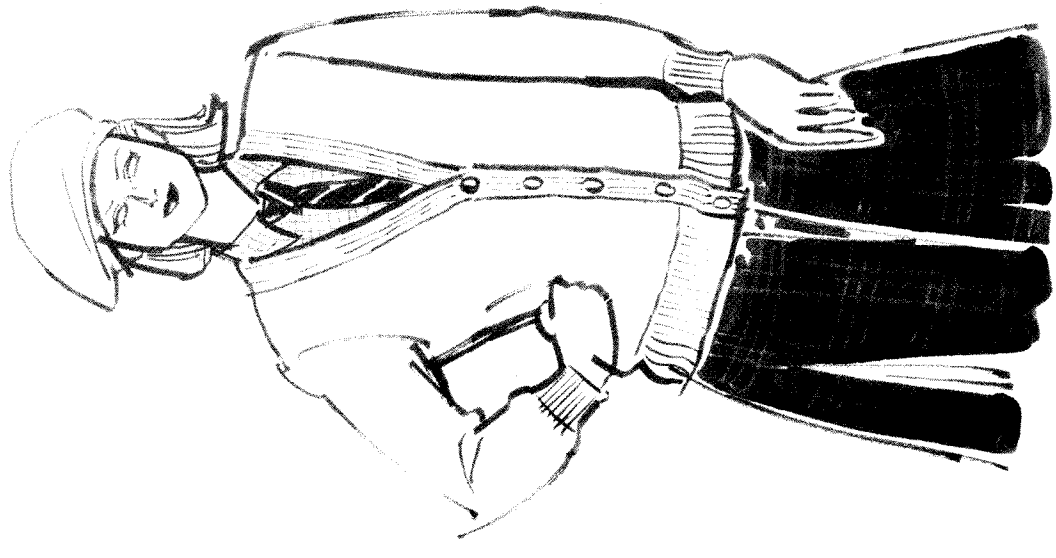
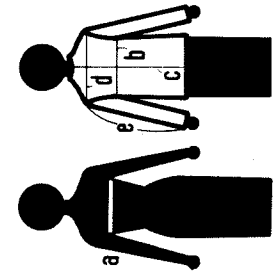
A-2 II



A-2

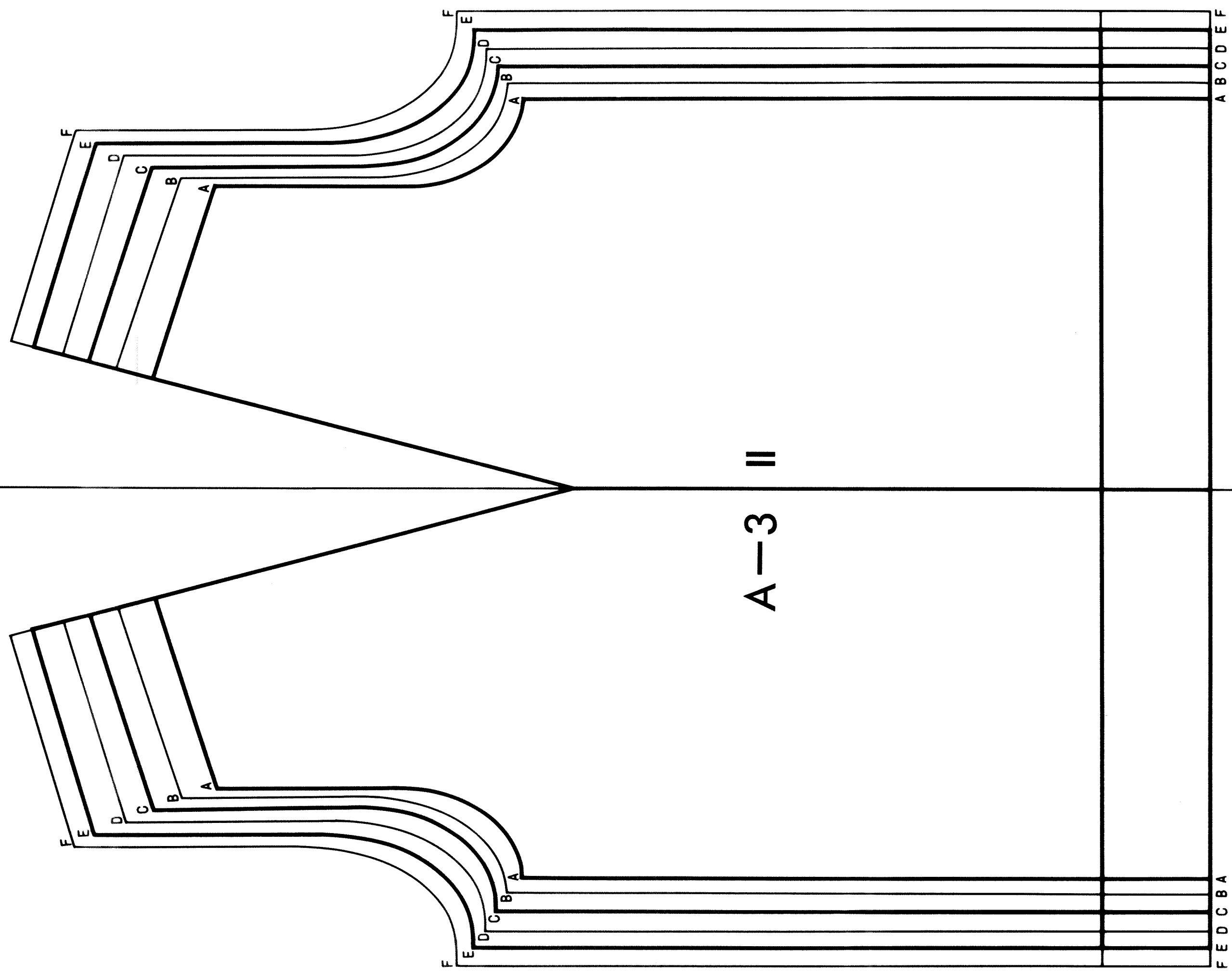


	A	B	C	D	E	F
a	82.5cm (32 $\frac{1}{2}$)	85cm (33 $\frac{1}{2}$)	87.5cm (34 $\frac{1}{2}$)	91cm (35 $\frac{3}{8}$)	95cm (37 $\frac{3}{8}$)	99cm (39")
b	86 (33 $\frac{7}{8}$)	89 (35)	93 (36 $\frac{5}{8}$)	97 (38 $\frac{1}{4}$)	101 (39 $\frac{3}{4}$)	105 (41 $\frac{3}{8}$)
c	57 (22 $\frac{1}{2}$)	58 (22 $\frac{3}{4}$)	59.5 (23 $\frac{3}{8}$)	61 (24)	62.5 (24 $\frac{5}{8}$)	64 (25 $\frac{1}{4}$)
d	33.5 (13 $\frac{1}{4}$)	34 (13 $\frac{3}{8}$)	35.5 (14)	37 (14 $\frac{1}{2}$)	38 (15)	39.5 (15 $\frac{5}{8}$)
e	55 (21 $\frac{5}{8}$)	56 (22)	57.5 (22 $\frac{5}{8}$)	58 (22 $\frac{7}{8}$)	60 (23 $\frac{5}{8}$)	61.5 (24 $\frac{1}{4}$)



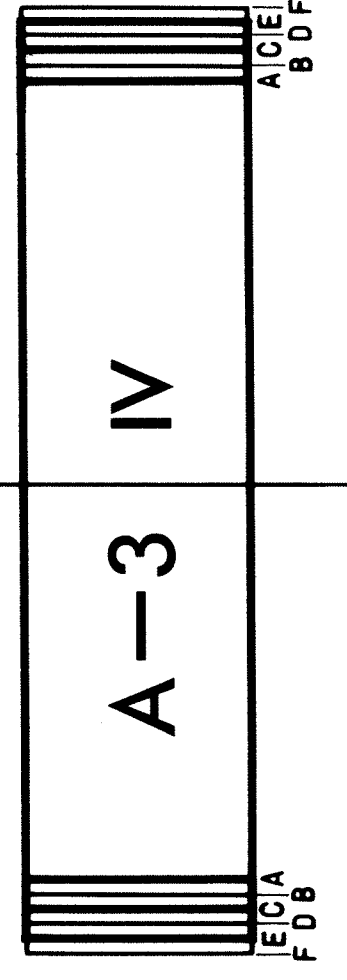
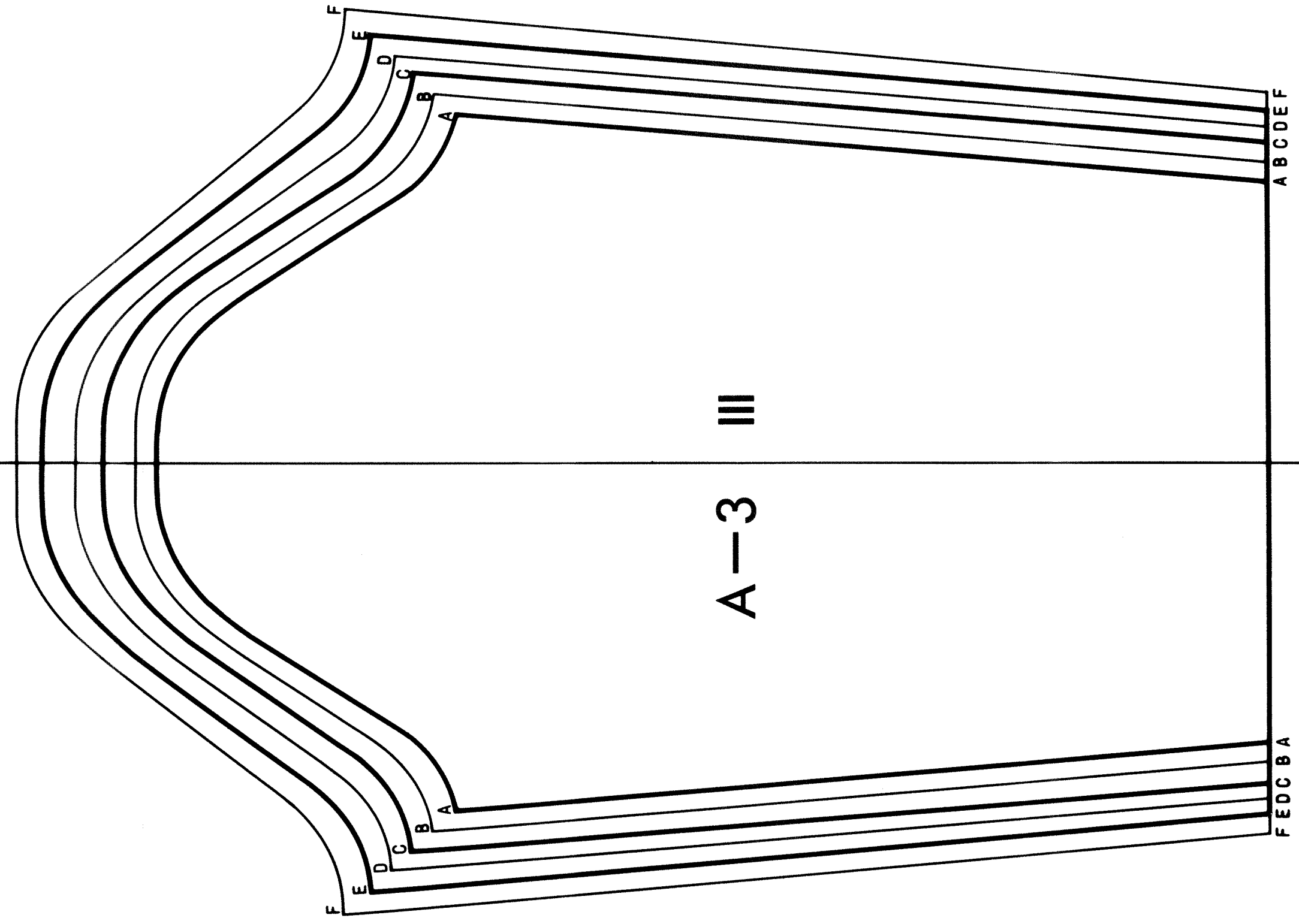
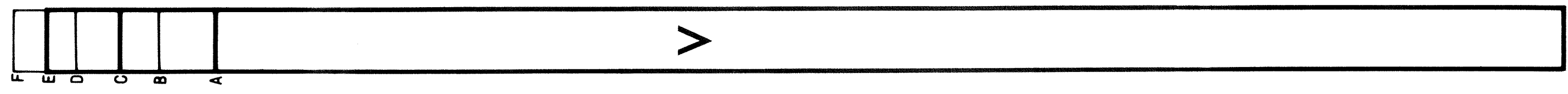
A-3

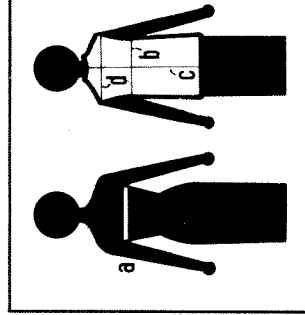
8



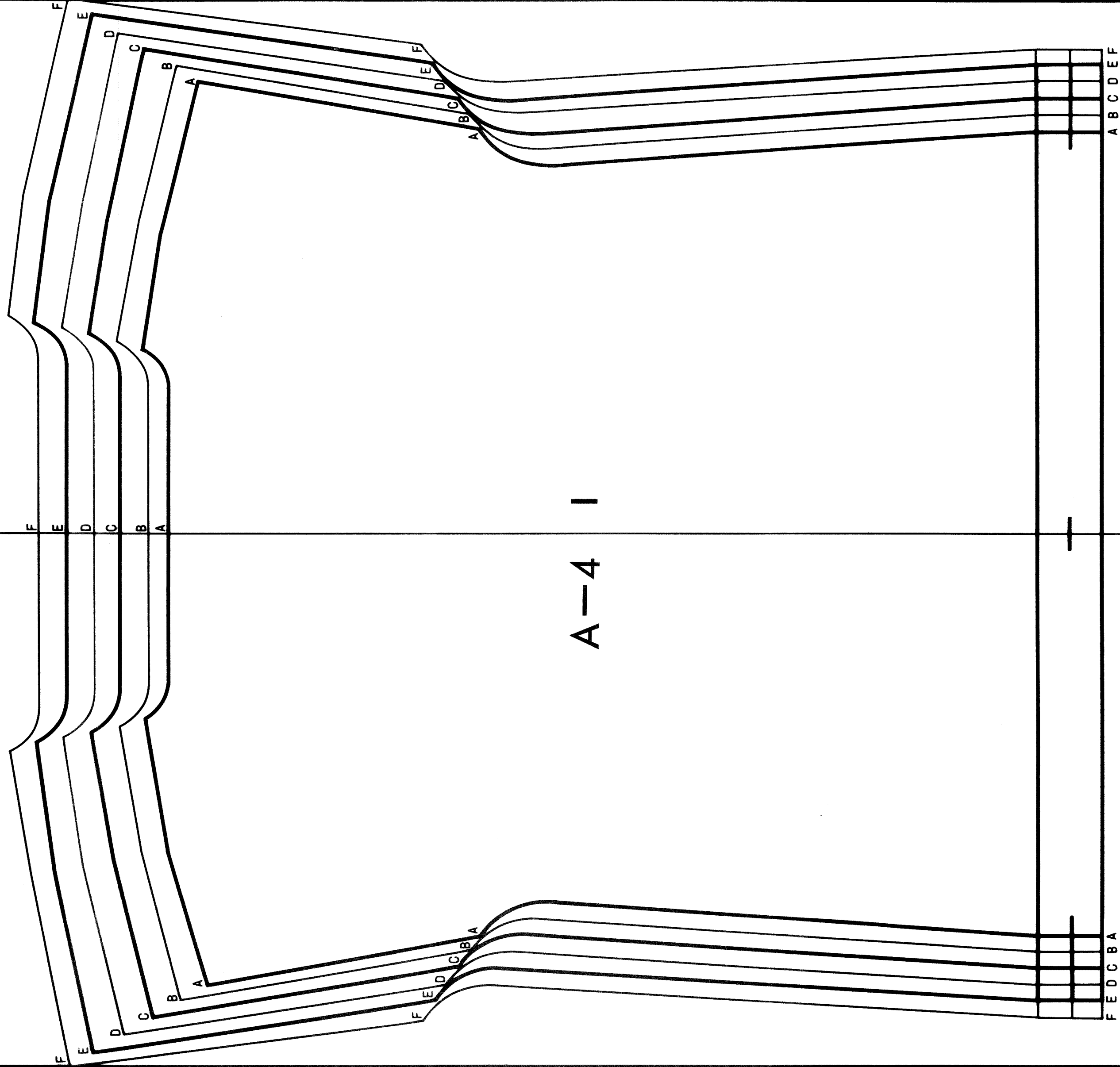
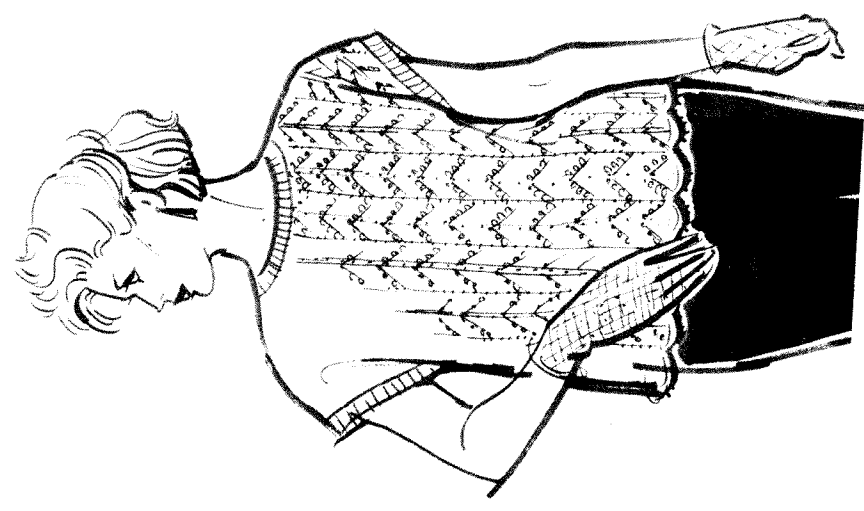
A-3

9





	A	B	C	D	E	F
a	82.5cm (32 ¹ / ₂)	85cm (33 ¹ / ₂)	87.5cm (34 ¹ / ₂)	91cm (35 ⁷ / ₈)	95cm (37 ³ / ₈)	99cm (39 ¹ / ₂)
b	88 (34 ⁵ / ₈)	92 (36 ¹ / ₄)	96 (37 ³ / ₄)	100 (39 ³ / ₈)	104 (41)	108 (42 ¹ / ₂)
c	56 (22)	57.5 (22 ⁵ / ₈)	59 (23 ¹ / ₄)	60.5 (23 ³ / ₈)	62 (24 ³ / ₈)	64 (25 ¹ / ₄)
d	34 (13 ³ / ₈)	35 (13 ³ / ₂)	36 (14 ¹ / ₈)	37 (14 ¹ / ₂)	38 (15)	39 (15 ³ / ₈)

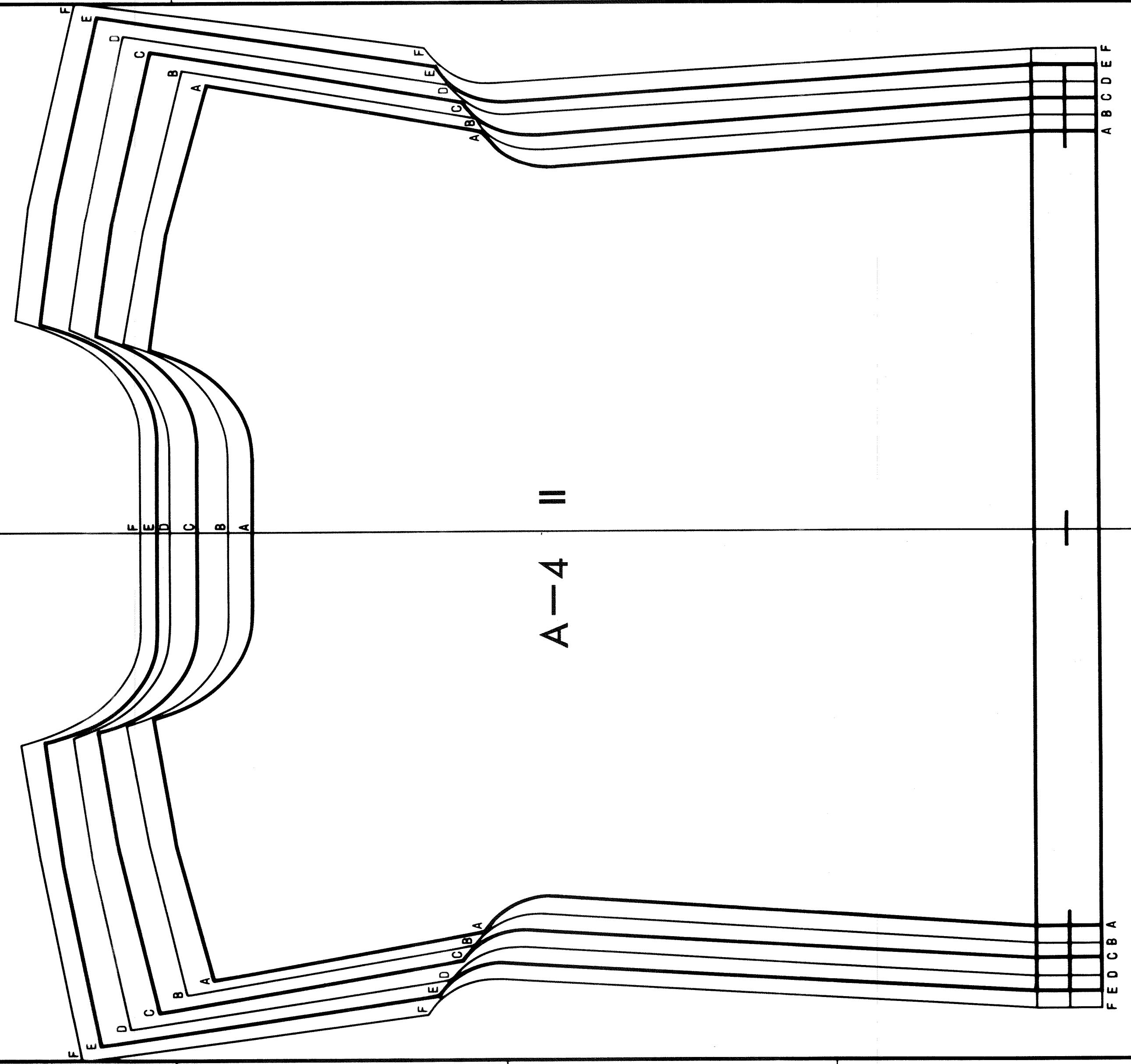
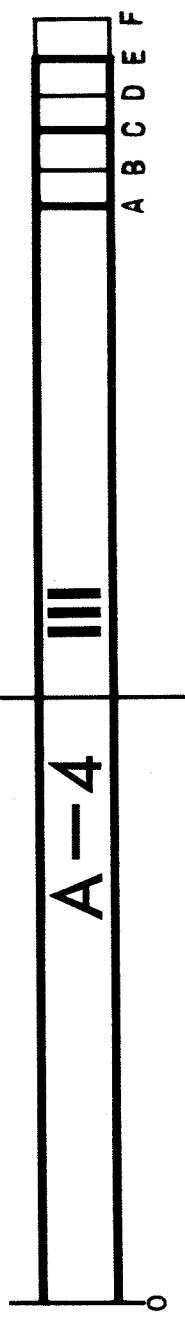
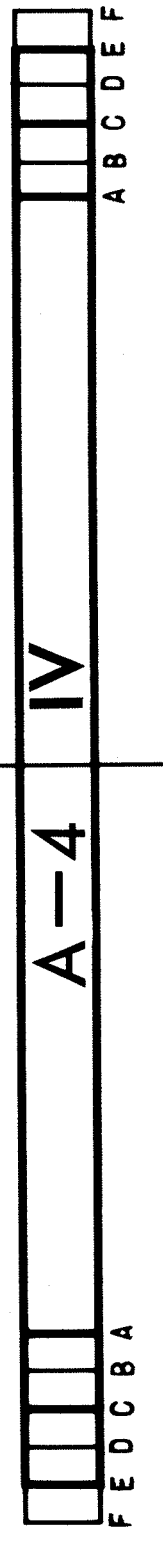


A-4 I

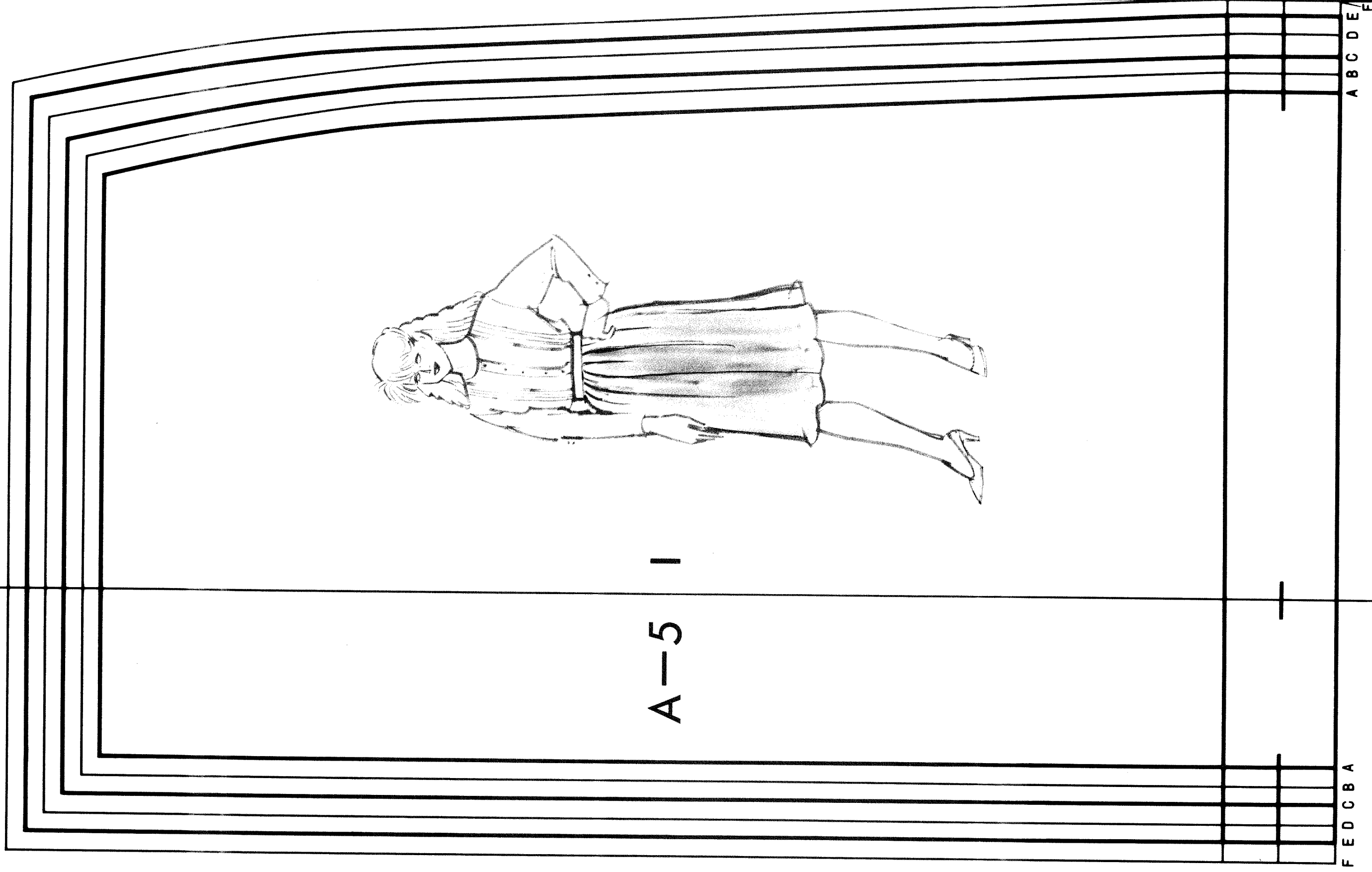
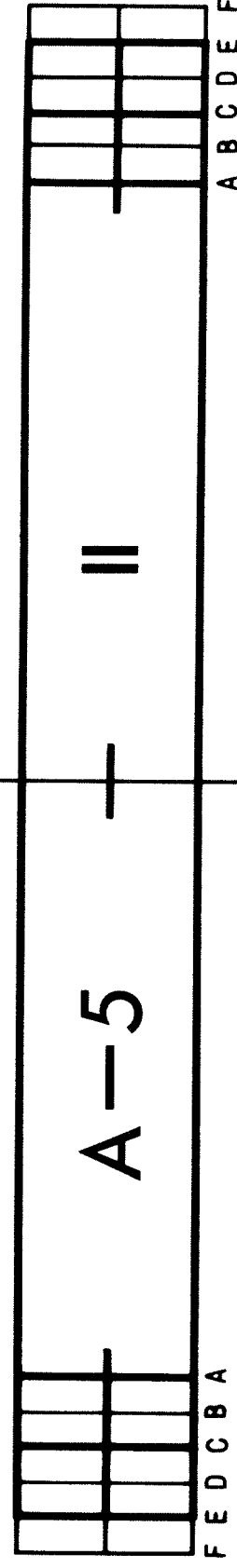
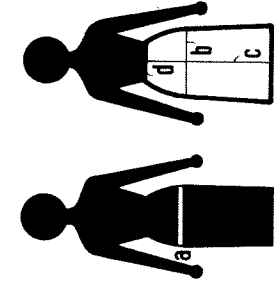


A-4

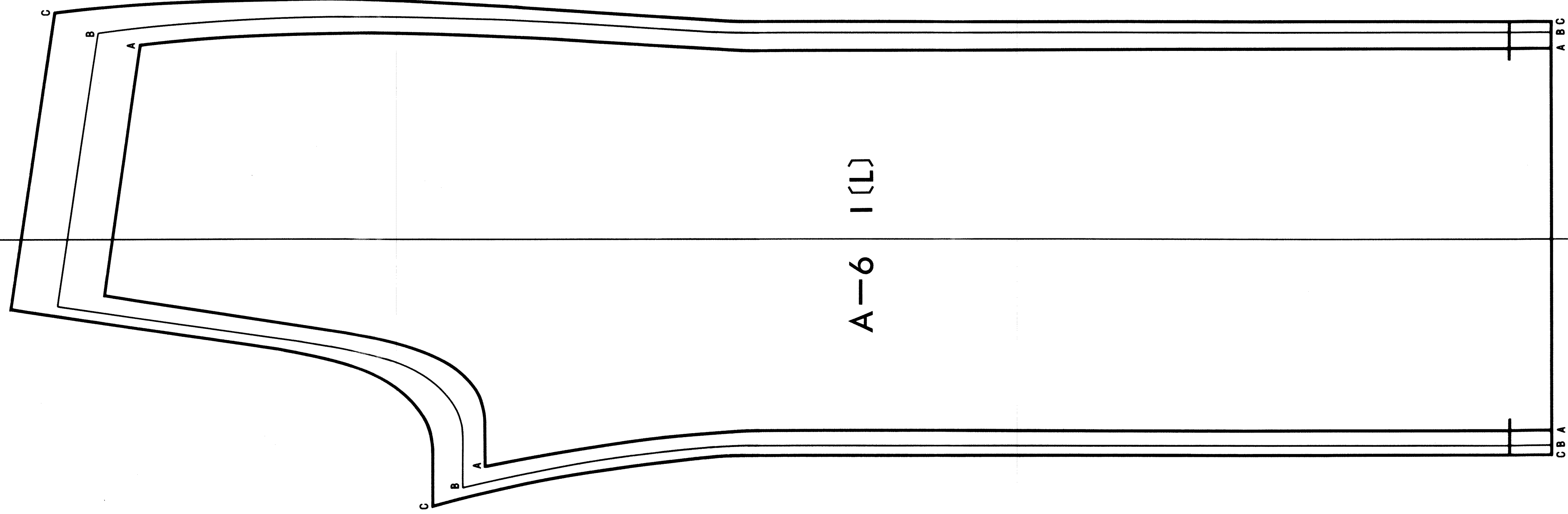
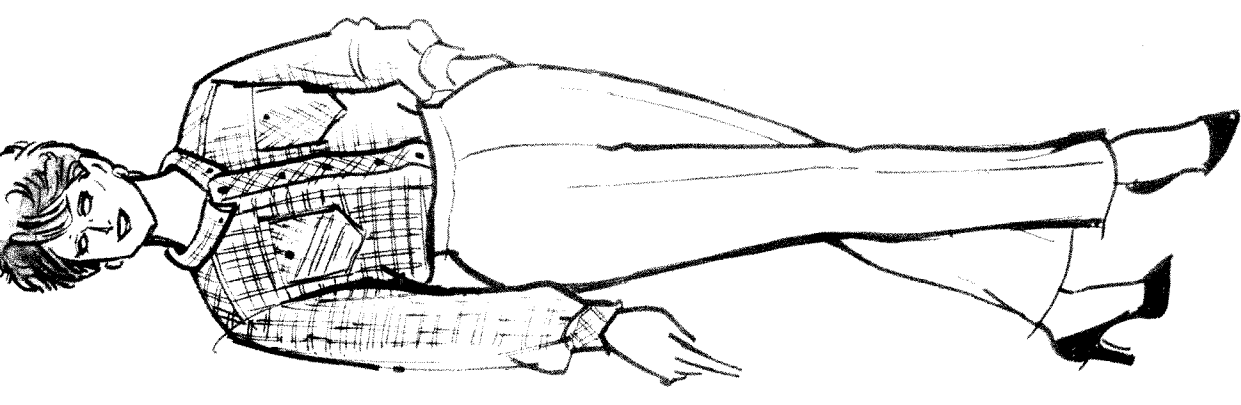
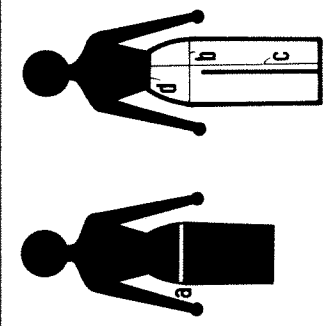
II



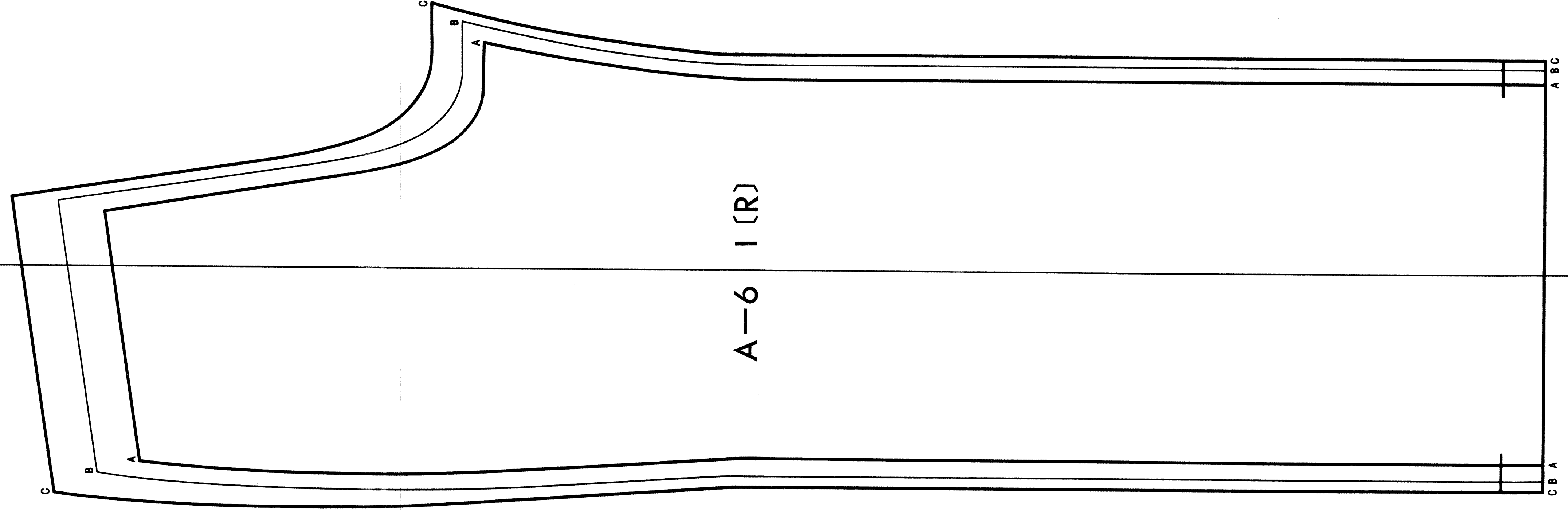
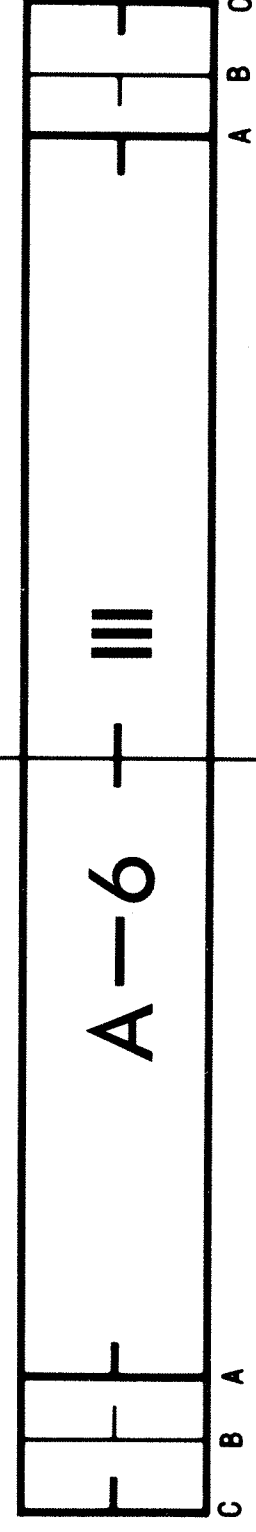
	A	B	C	D	E	F
	86.5cm (34")	88cm (34 ¹ / ₈)	91cm (35 ⁷ / ₈)	95cm (37 ³ / ₈)	98.5cm (38 ³ / ₄)	102.5cm (40 ¹ / ₂)
a	92 (36 ¹ / ₄)	96 (37 ³ / ₈)	100 (39 ³ / ₈)	104 (41)	108 (42 ¹ / ₂)	112 (44)
b	63 (24 ⁵ / ₈)	64 (25 ¹ / ₄)	65 (25 ¹ / ₂)	66 (26)	67 (26 ³ / ₈)	68 (26 ³ / ₄)
c	60 (23 ⁵ / ₈)	62.5 (24 ⁵ / ₈)	65 (25 ¹ / ₂)	68.5 (27)	72.5 (28 ¹ / ₂)	76.5 (30 ¹ / ₈)
d						

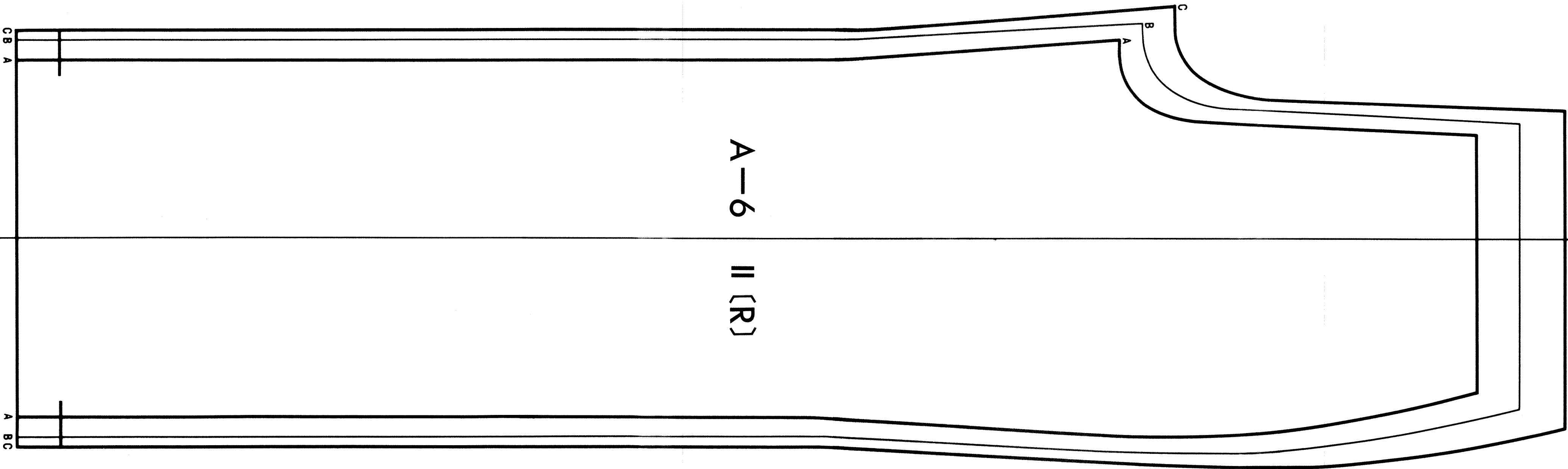


a	89cm (35")	95cm (37½")	102.5cm (40¾")
b	89 (35)	95 (37½)	102.5 (40¾)
c	99.5 (39½)	102.5 (40¾)	106 (41¾)
d	63 (24¾)	69 (27½)	77 (30½)



A-6 I(L)

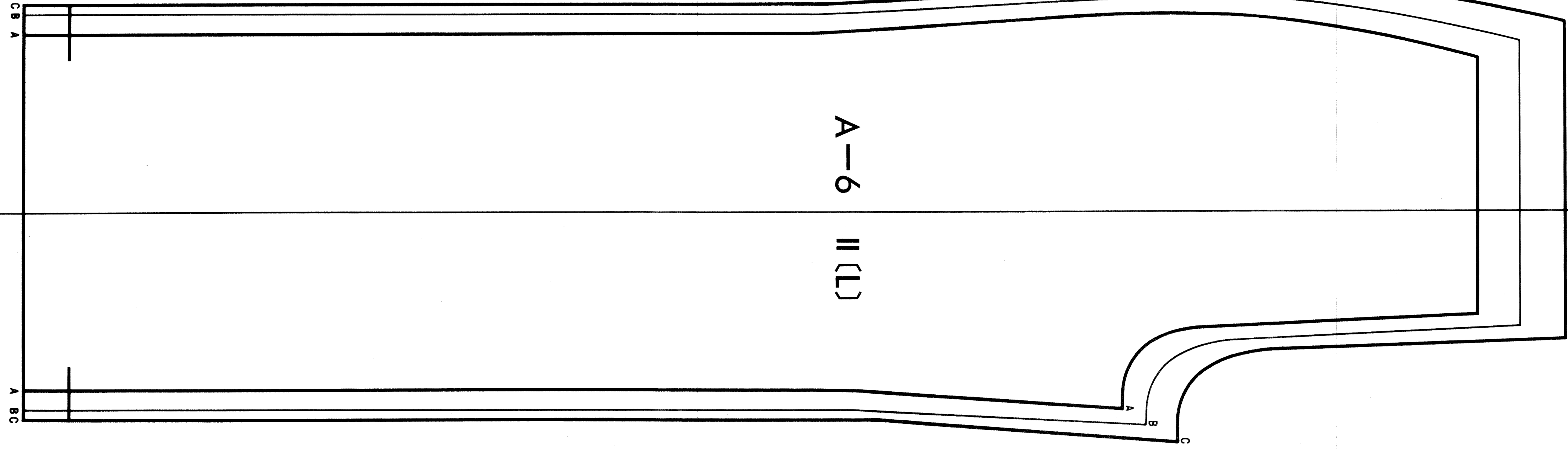
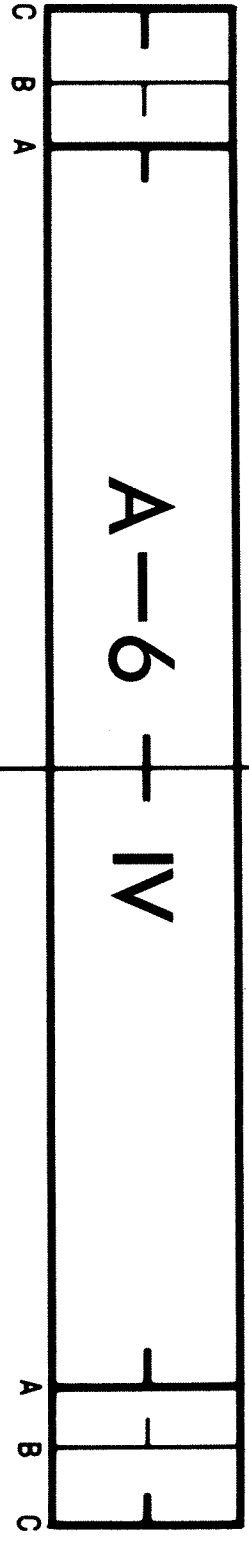


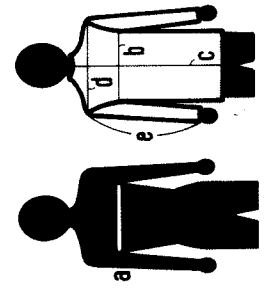


C B A

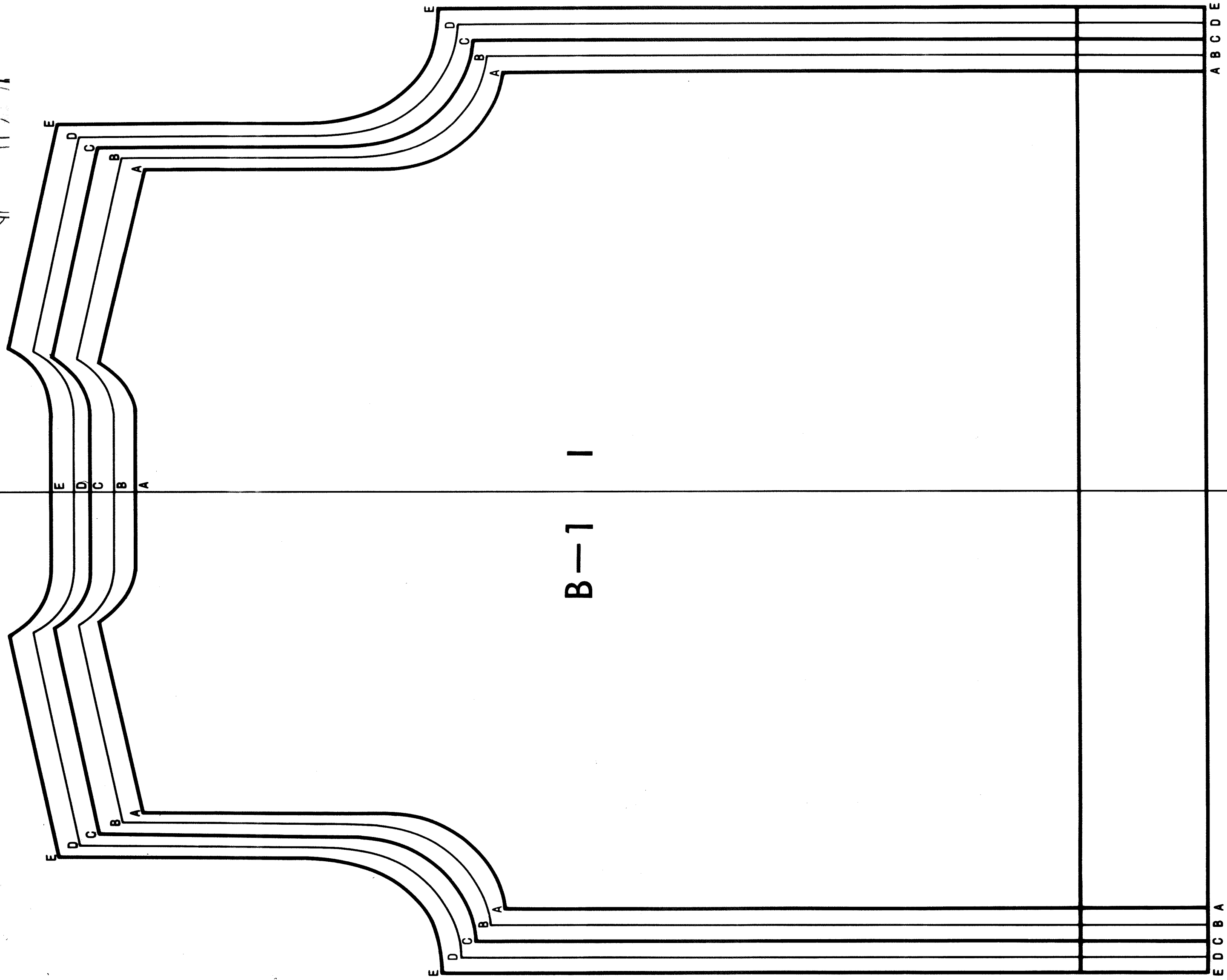
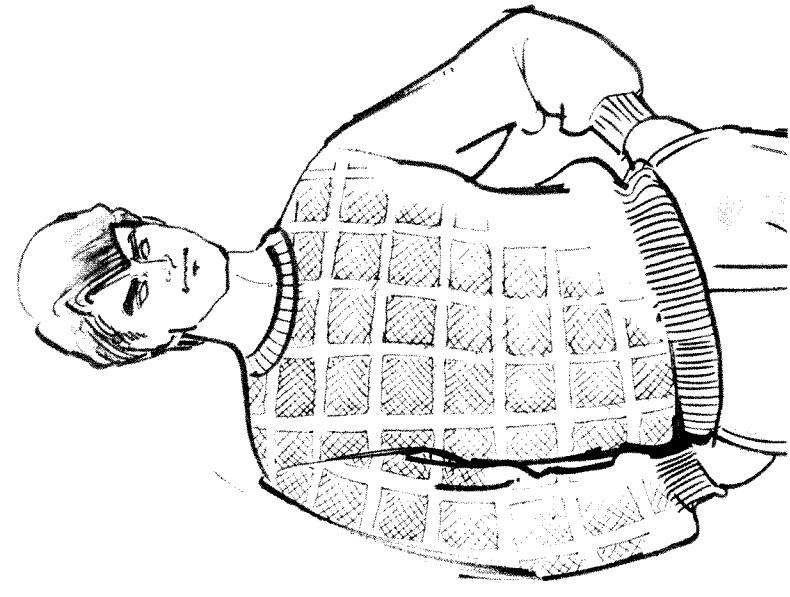
A B C

A-6 II (R)





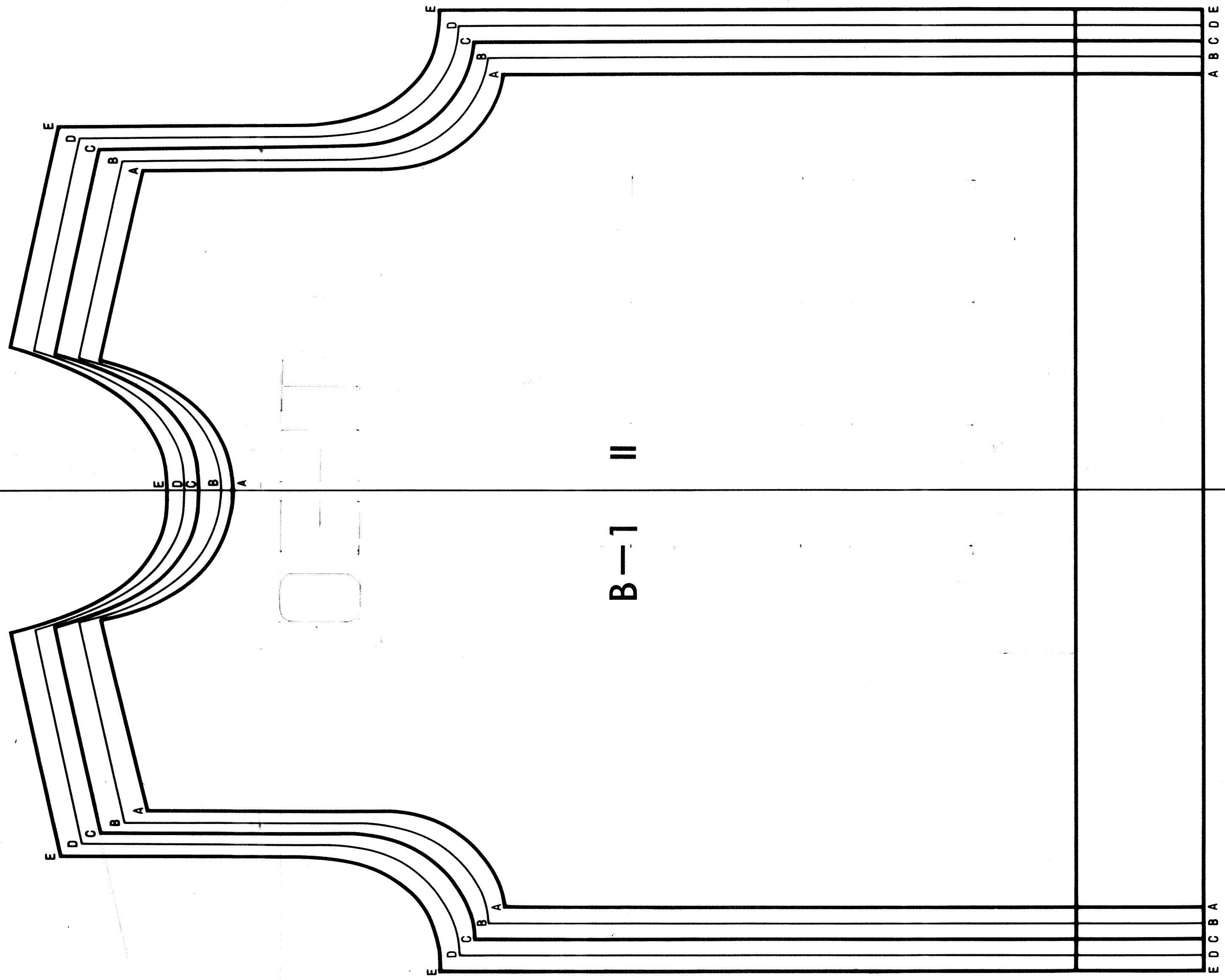
	A	B	C	D	E
a	92cm (36 $\frac{1}{4}$)	97cm (38 $\frac{1}{4}$)	102cm (40 $\frac{1}{8}$)	107cm (42 $\frac{1}{8}$)	112cm (44 $\frac{1}{2}$)
b	104 (41)	108 (42 $\frac{1}{2}$)	112 (44)	116 (45 $\frac{3}{8}$)	120 (47 $\frac{1}{4}$)
c	67 (26 $\frac{3}{8}$)	68.5 (27)	70 (27 $\frac{1}{2}$)	71 (28)	72.5 (28 $\frac{1}{2}$)
d	40 (15 $\frac{3}{8}$)	41.5 (16 $\frac{3}{8}$)	43 (17)	44 (17 $\frac{3}{8}$)	46 (18)
e	60.5 (23 $\frac{3}{4}$)	61.5 (24 $\frac{1}{4}$)	62 (24 $\frac{3}{8}$)	63 (24 $\frac{1}{2}$)	64.5 (25 $\frac{3}{8}$)

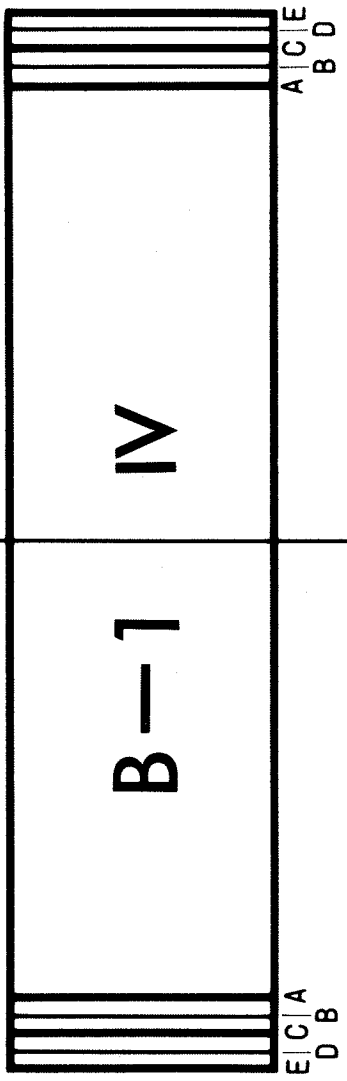
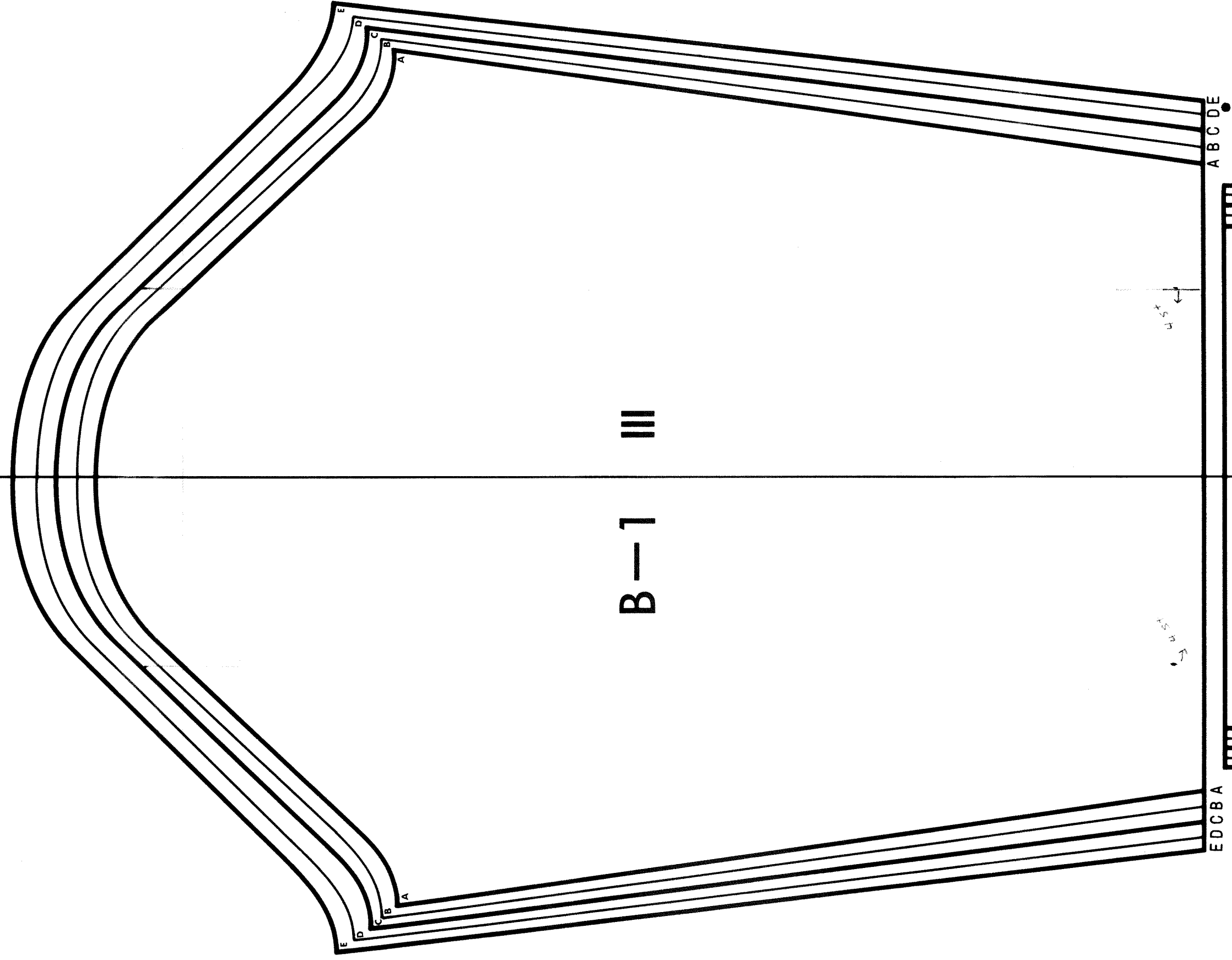
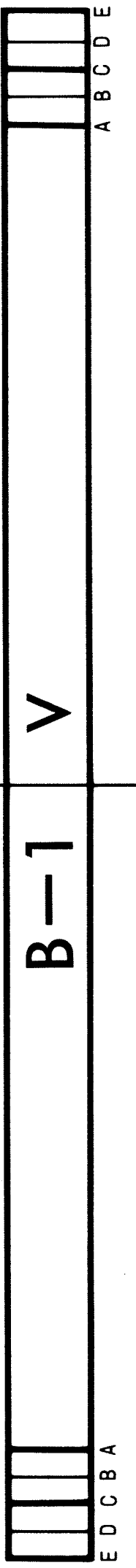


E D C B A

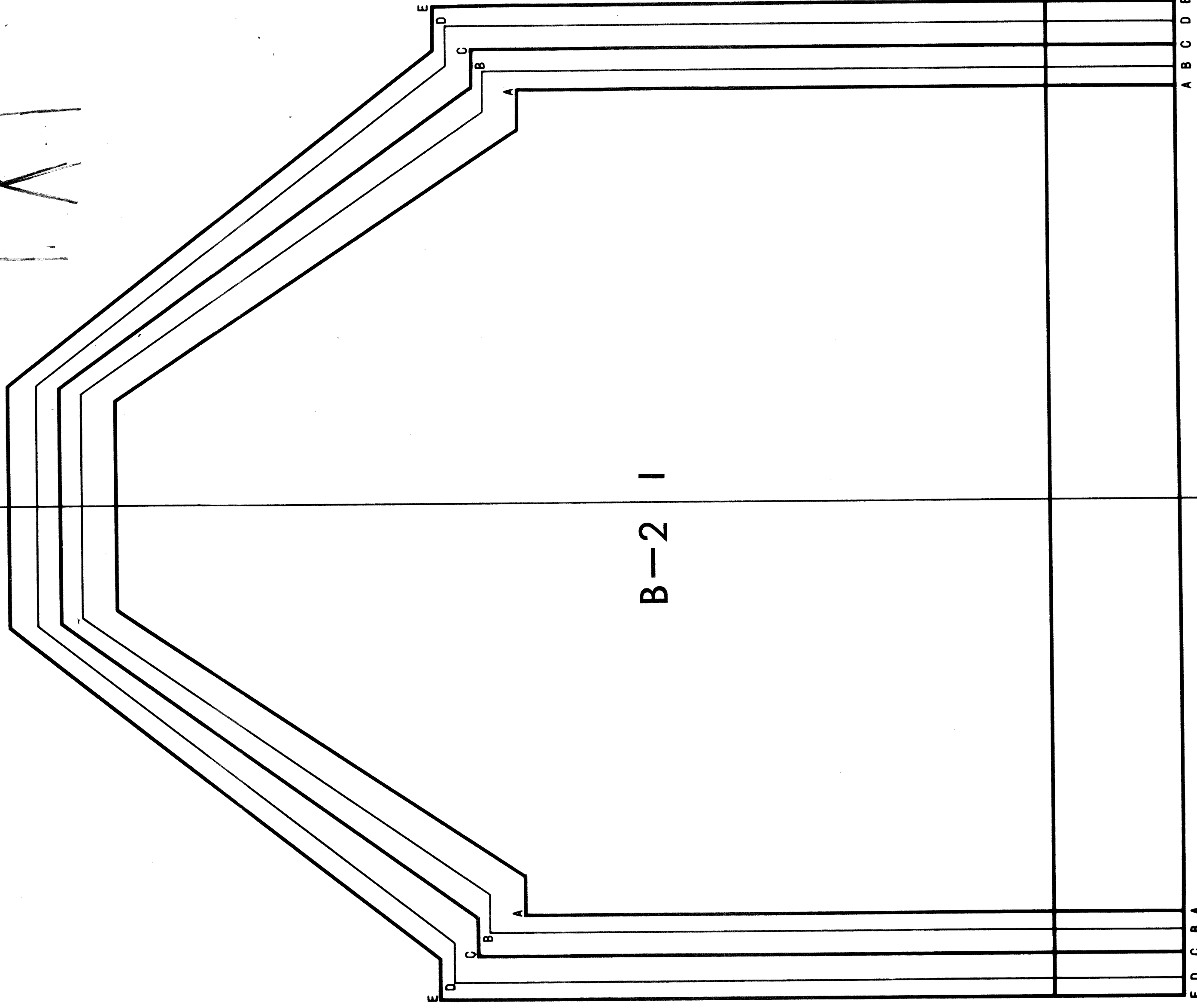
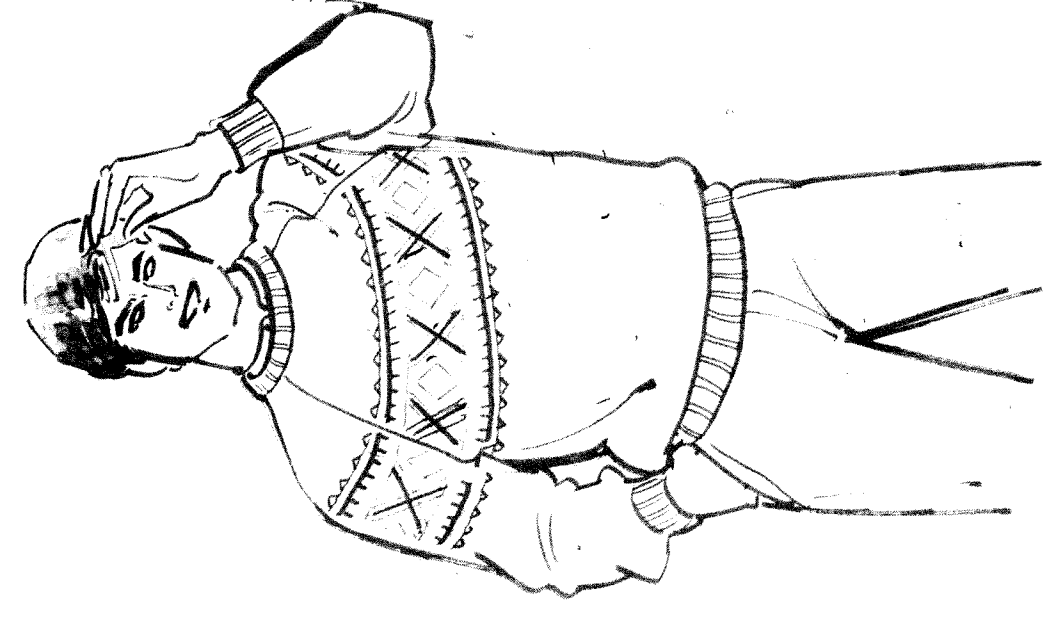
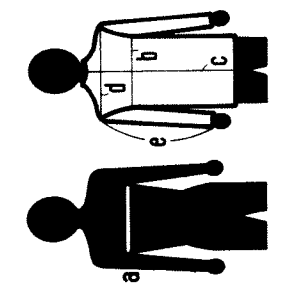
A B C D E







	A	B	C	D	E
a	92cm (36 $\frac{1}{4}$)	97cm (38 $\frac{1}{4}$)	102cm (40 $\frac{1}{8}$)	107cm (42 $\frac{1}{8}$)	112cm (44 $\frac{1}{4}$)
b	102 (40 $\frac{1}{8}$)	106 (41 $\frac{3}{8}$)	112 (44)	118 (46 $\frac{1}{2}$)	124 (48 $\frac{3}{4}$)
c	65.5 (25 $\frac{3}{8}$)	67.5 (26 $\frac{3}{8}$)	69 (27 $\frac{1}{8}$)	70.5 (27 $\frac{3}{8}$)	72.5 (28 $\frac{1}{2}$)
d	41 (16 $\frac{1}{8}$)	42 (16 $\frac{1}{2}$)	43 (17)	44.5 (17 $\frac{1}{2}$)	46 (18)
e	60.7 (23 $\frac{3}{8}$)	61.3 (24 $\frac{1}{8}$)	62 (24 $\frac{3}{8}$)	62.5 (24 $\frac{1}{2}$)	63.3 (24 $\frac{7}{8}$)



B-2 I

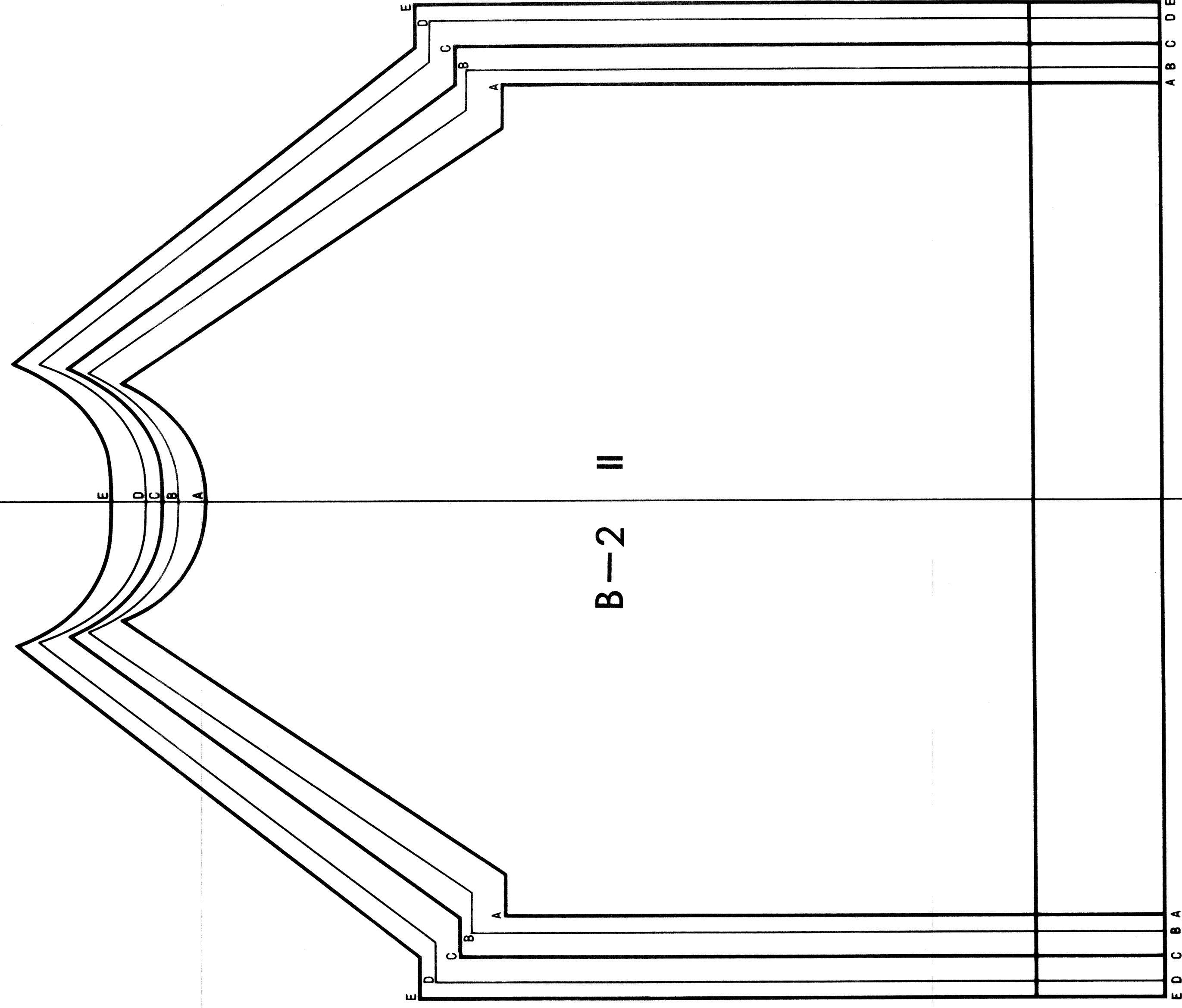
E D C B A

A B C D E

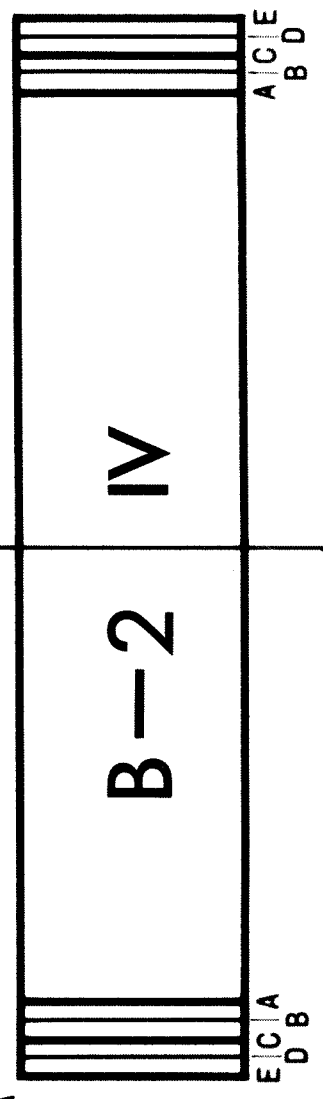
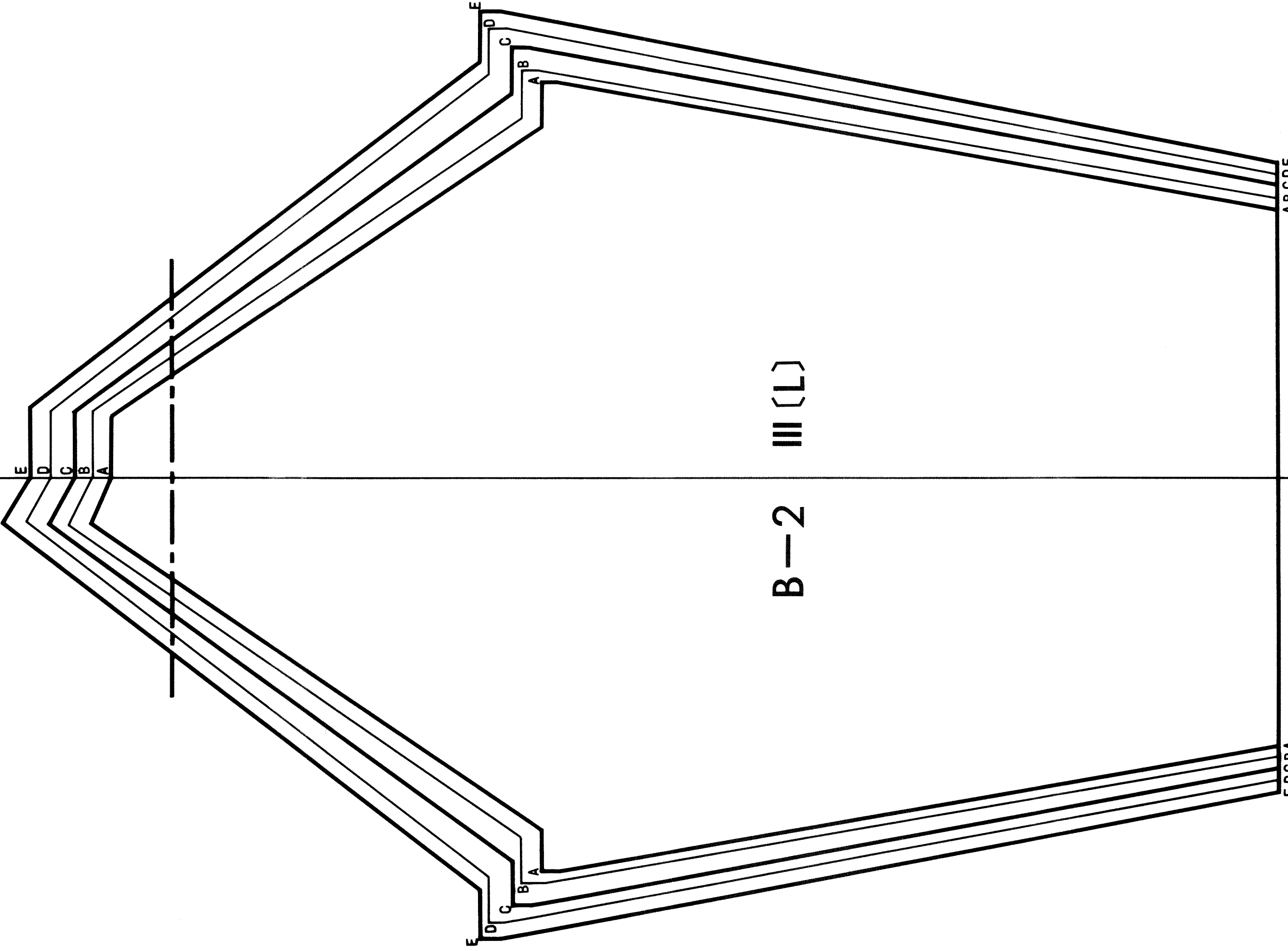
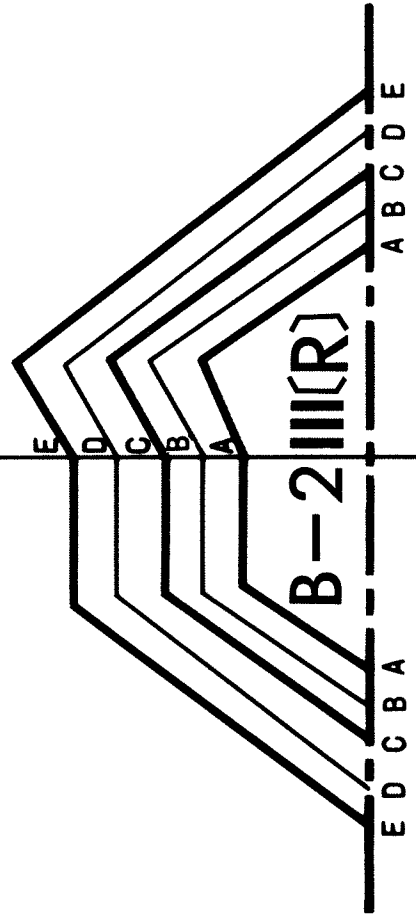
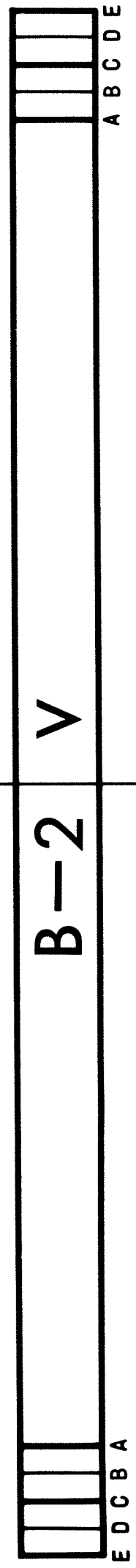


B-2

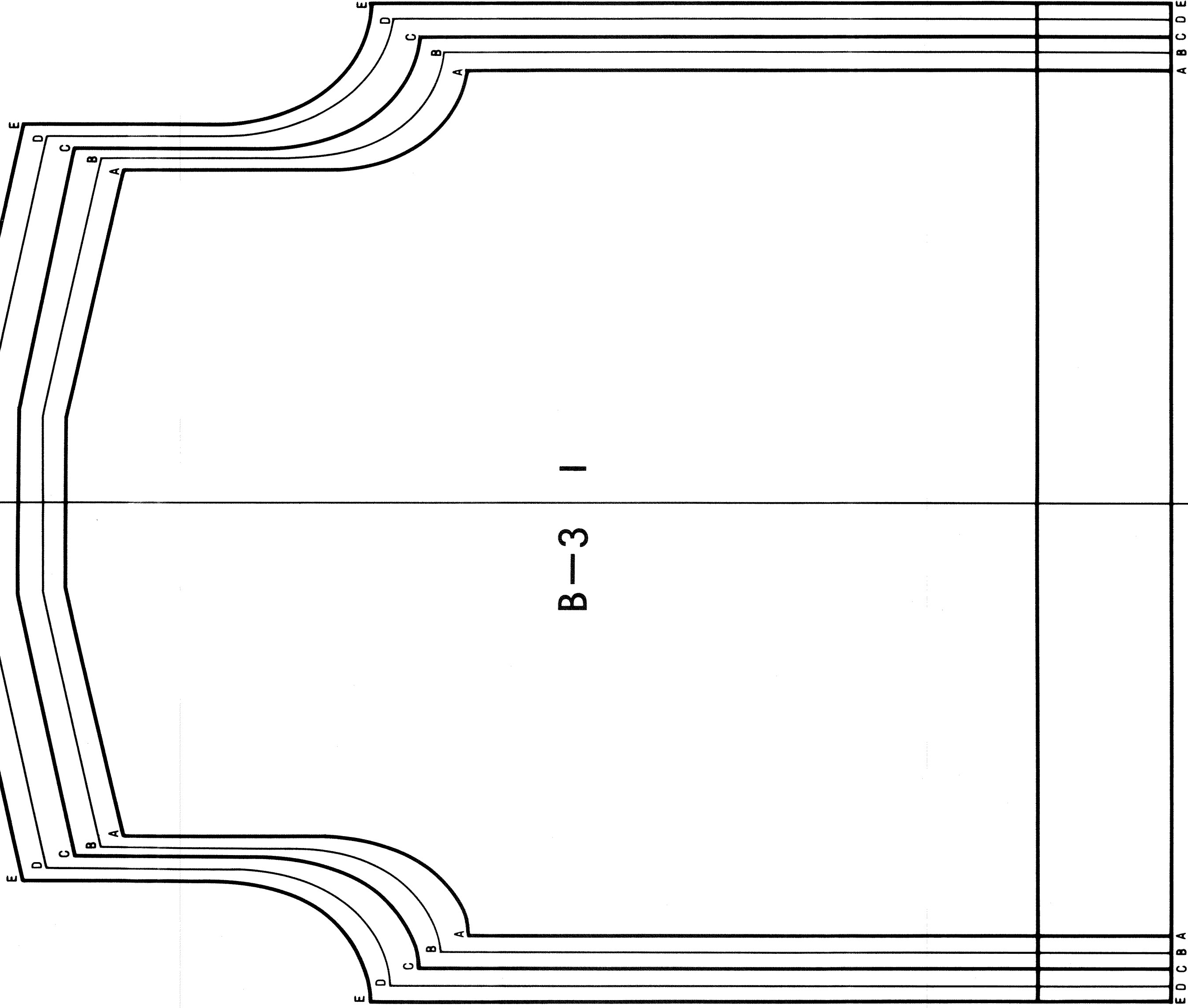
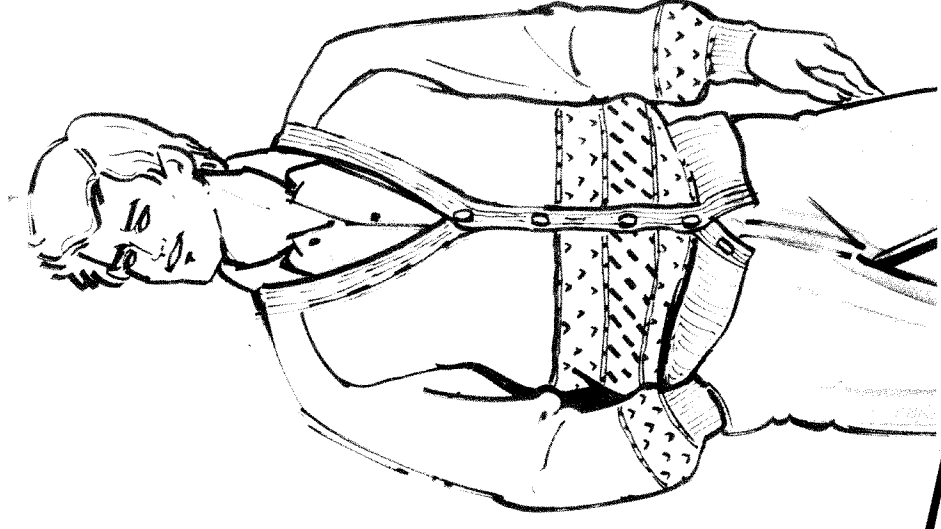
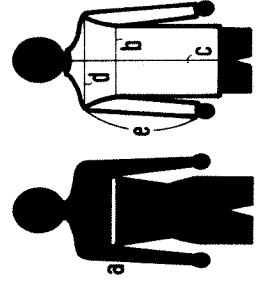
21



B-2



	A	B	C	D	E
a	92cm (36 $\frac{1}{4}$)	97cm (38 $\frac{1}{4}$)	102cm (40 $\frac{1}{8}$)	107cm (42 $\frac{1}{8}$)	112cm (44 $\frac{1}{4}$)
b	104 (41)	108 (42 $\frac{1}{2}$)	112 (44)	116 (45 $\frac{5}{8}$)	120 (47 $\frac{1}{4}$)
c	66.5 (26 $\frac{1}{4}$)	68 (26 $\frac{3}{4}$)	69.5 (27 $\frac{3}{8}$)	71 (28)	73 (28 $\frac{3}{4}$)
d	40 (15 $\frac{3}{4}$)	41.5 (16 $\frac{1}{2}$)	42.5 (16 $\frac{3}{4}$)	44 (17 $\frac{1}{8}$)	45.5 (17 $\frac{3}{4}$)
e	60.7 (23 $\frac{7}{8}$)	61.3 (24 $\frac{1}{8}$)	62 (24 $\frac{3}{8}$)	62.3 (24 $\frac{1}{2}$)	63.3 (24 $\frac{7}{8}$)

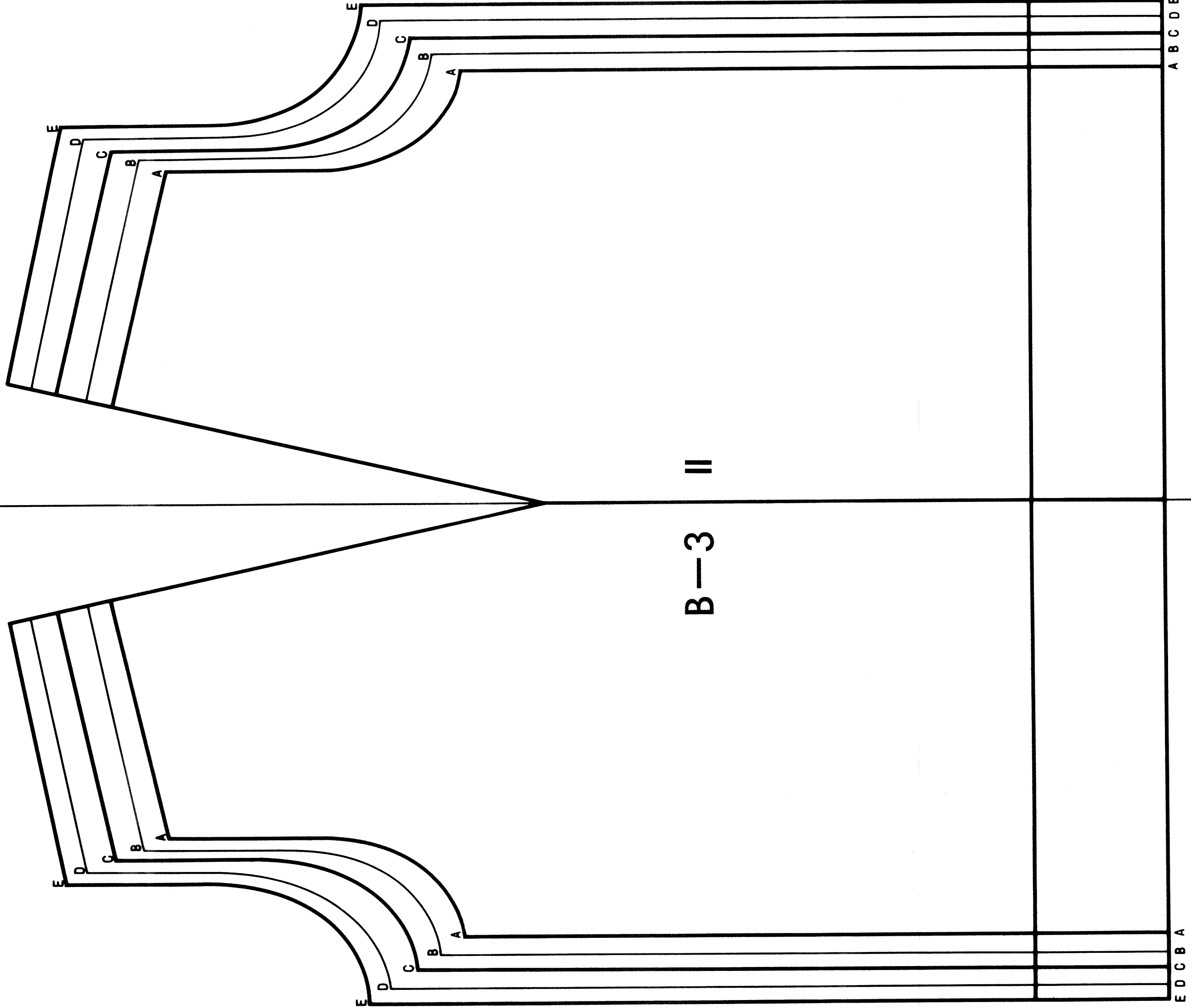


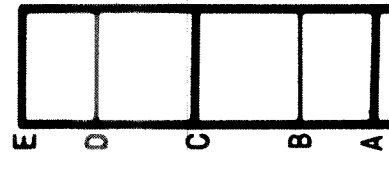
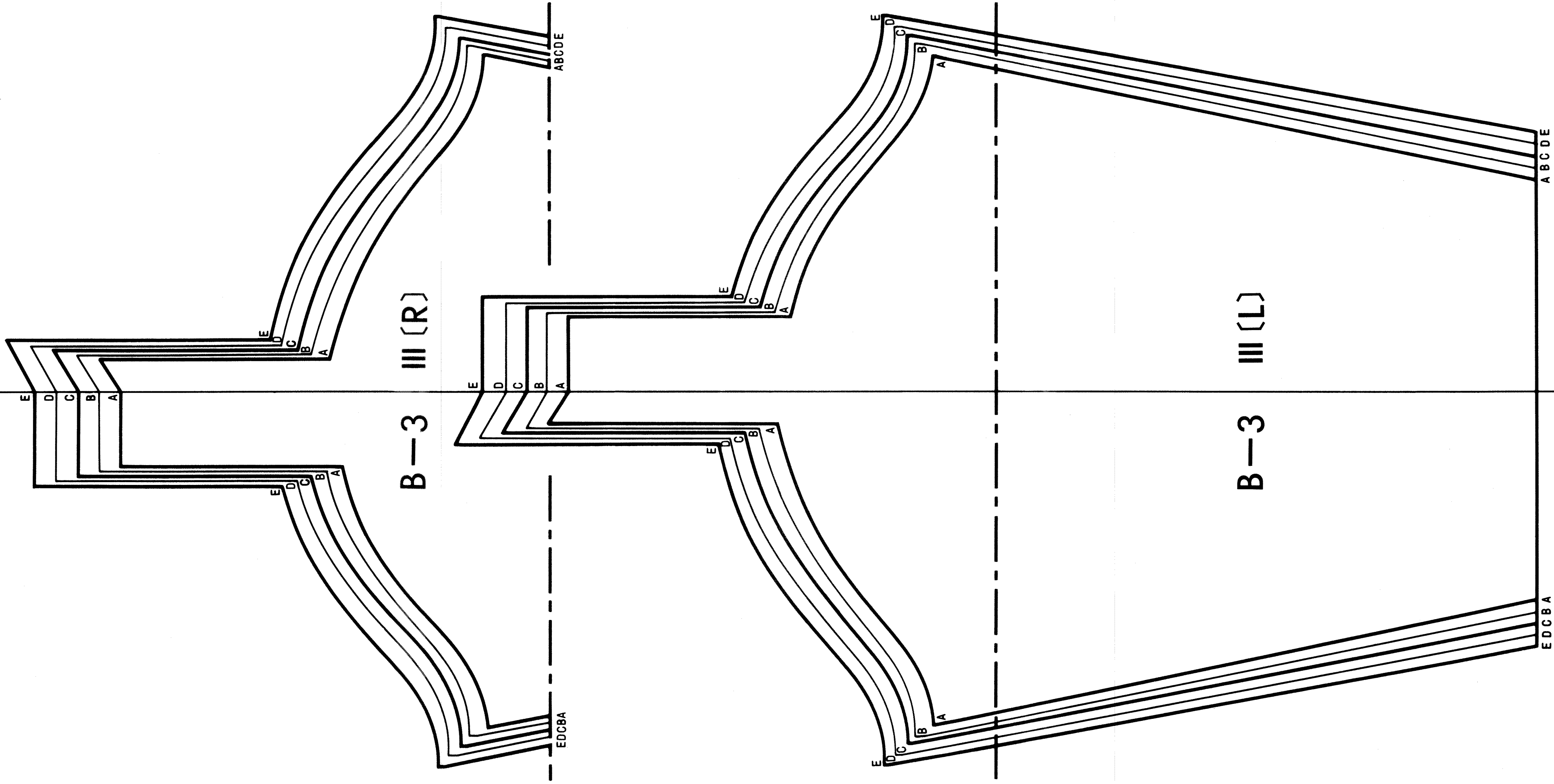
B-3 I

E D C B A

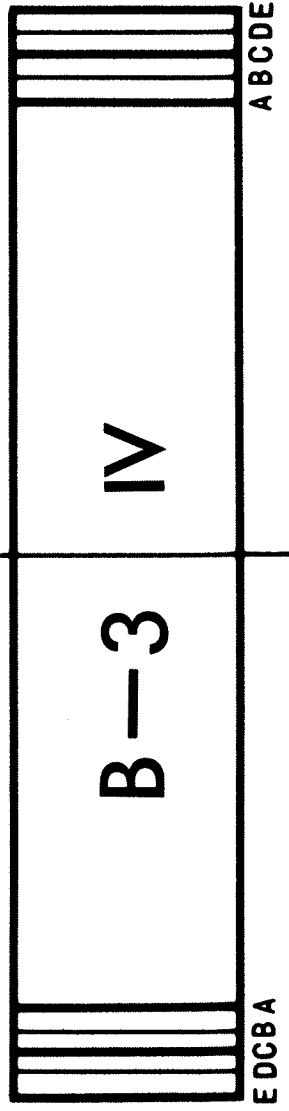
A B C D E



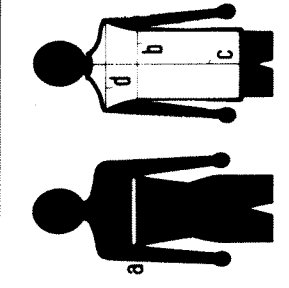




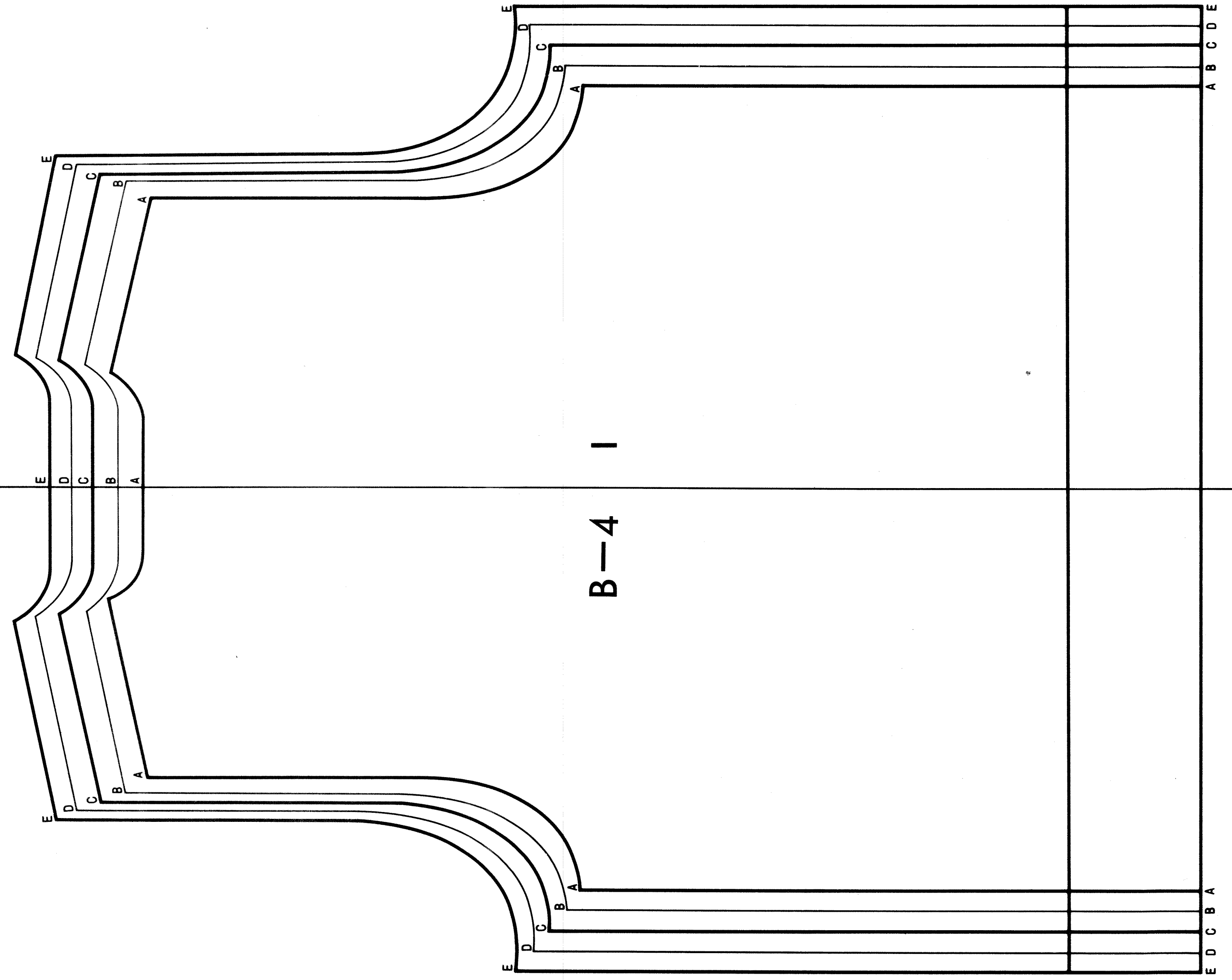
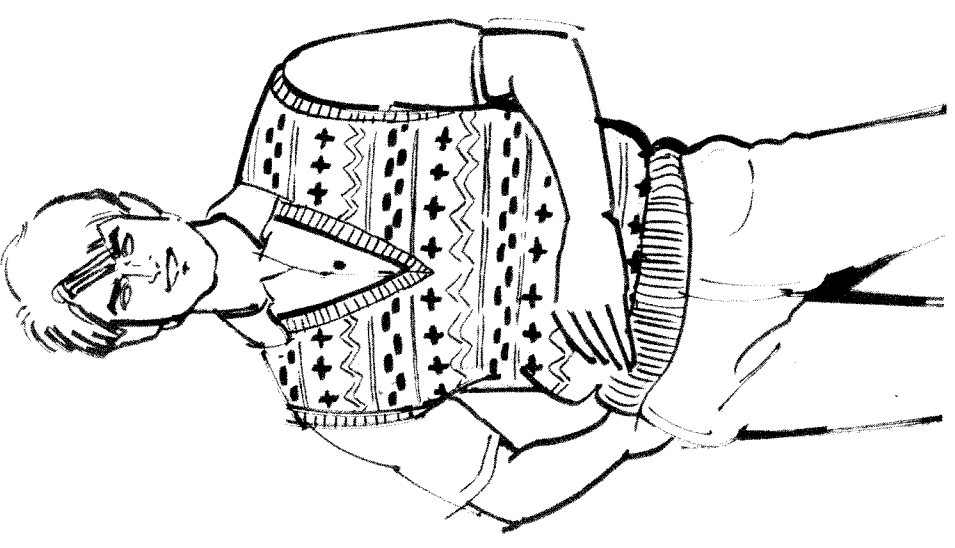
V

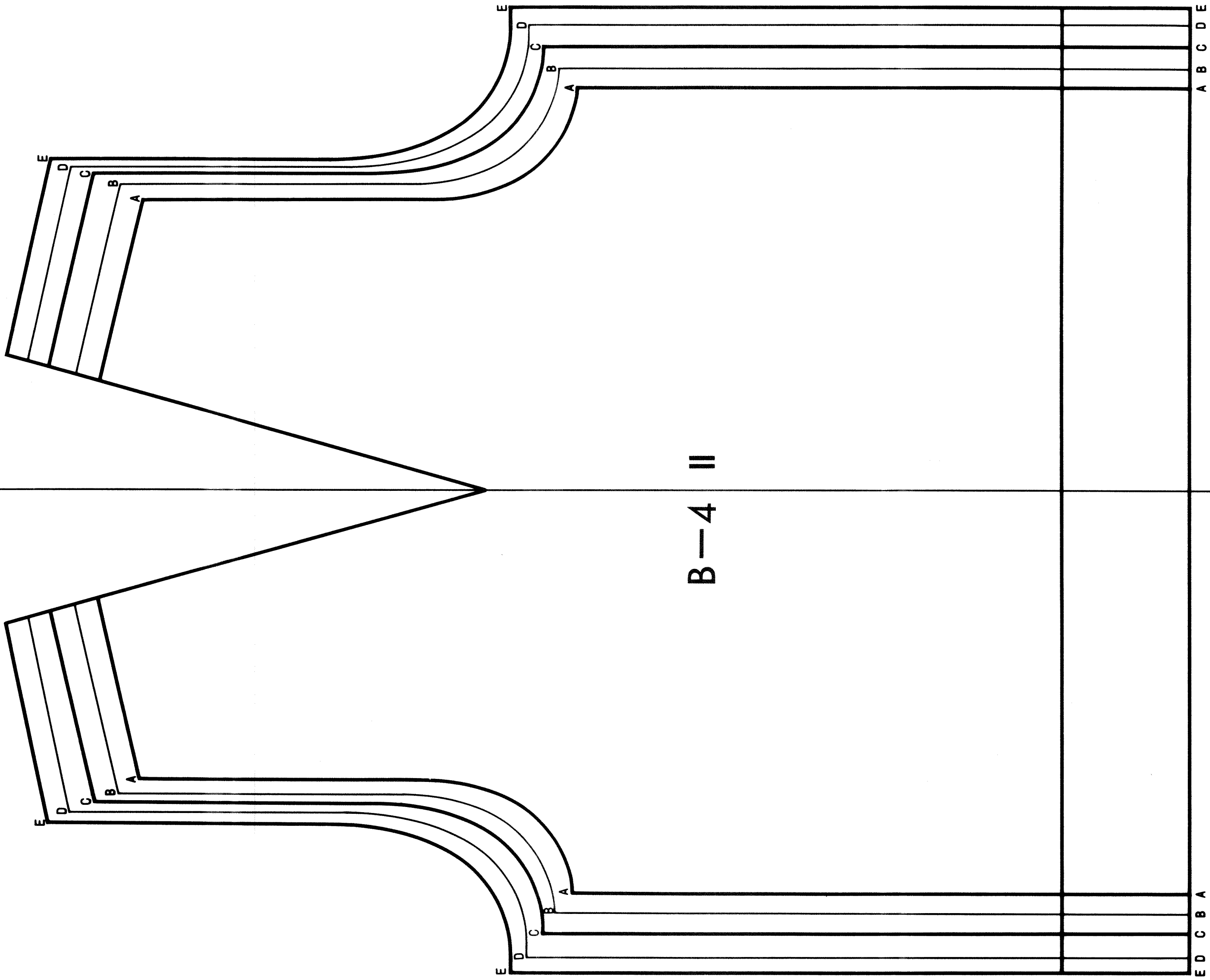
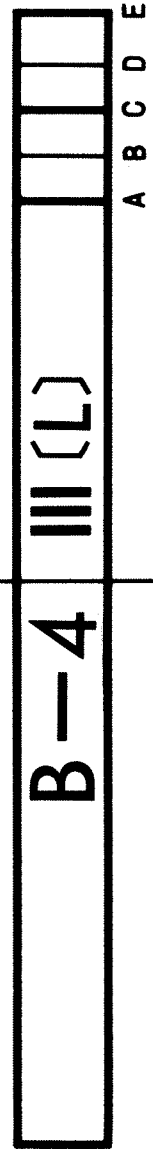
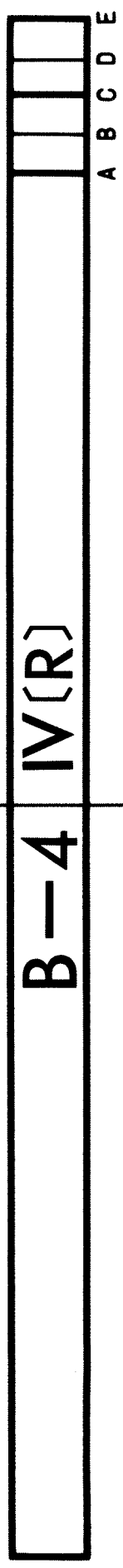
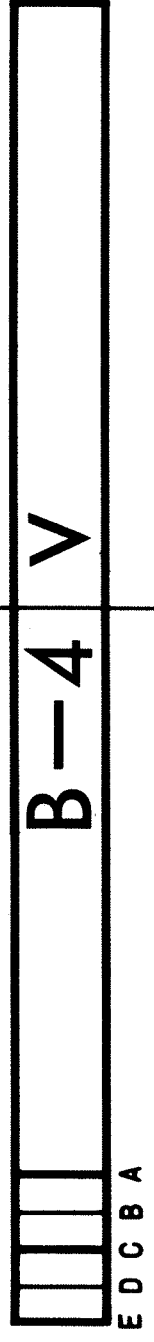


B-3 IV

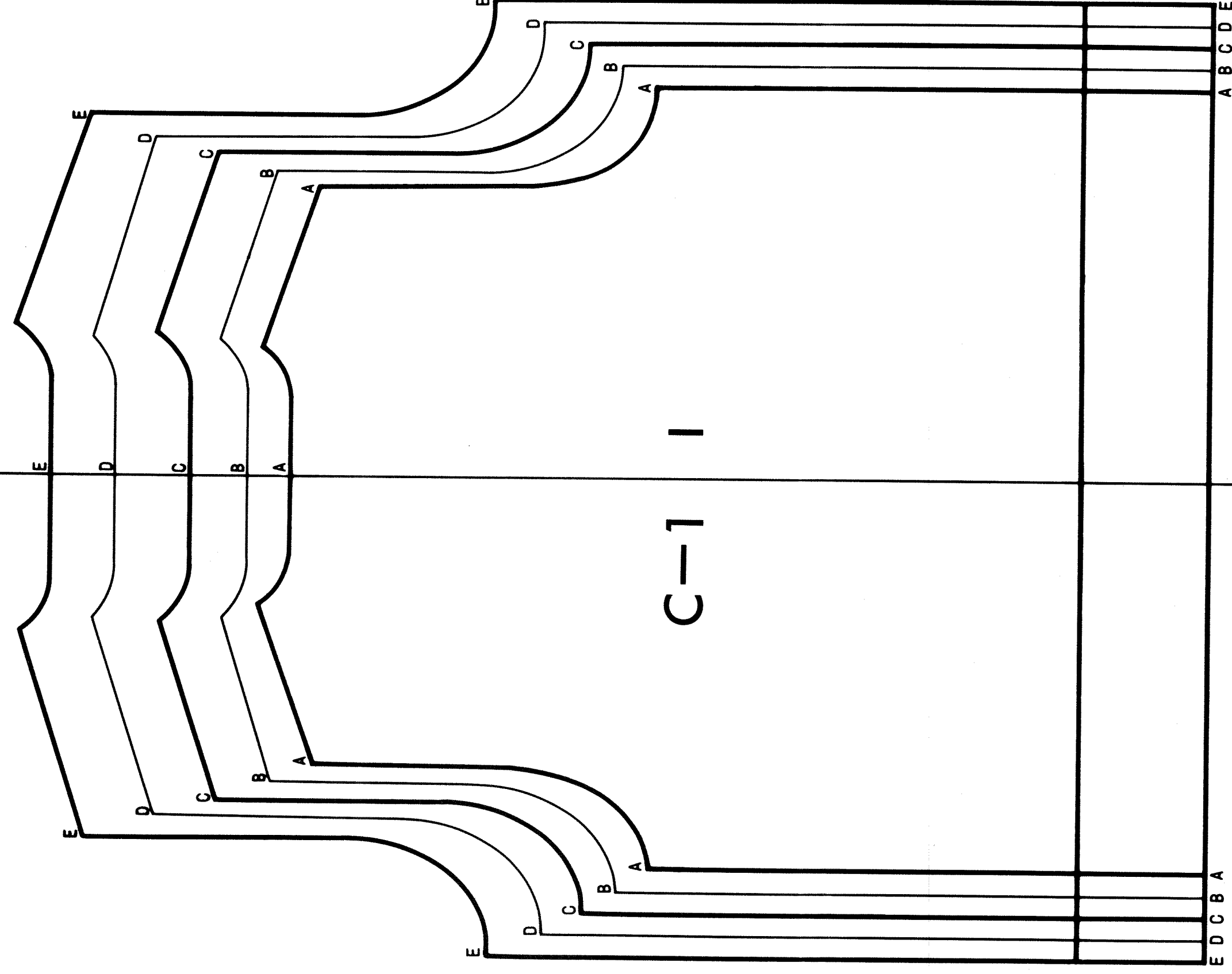
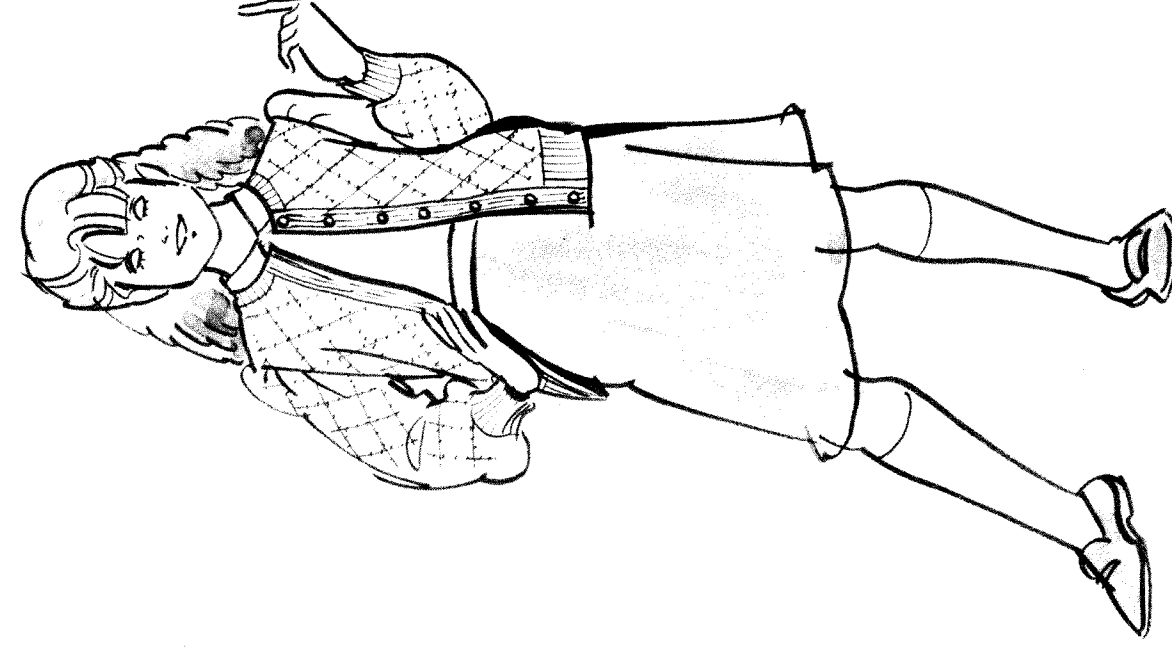
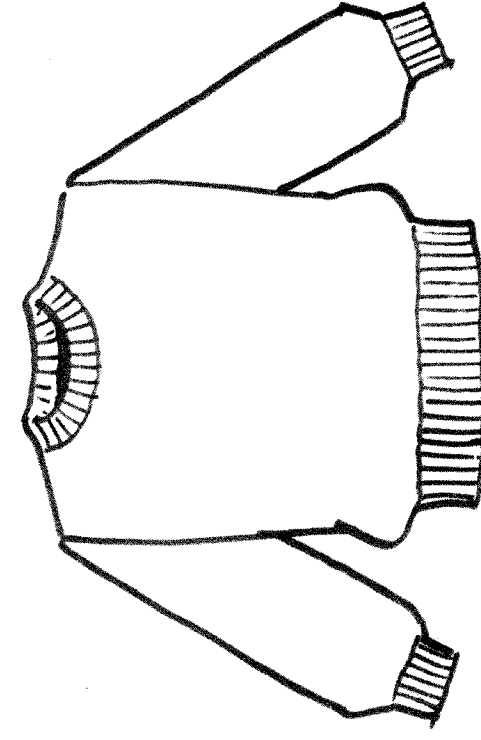
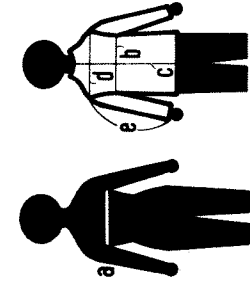


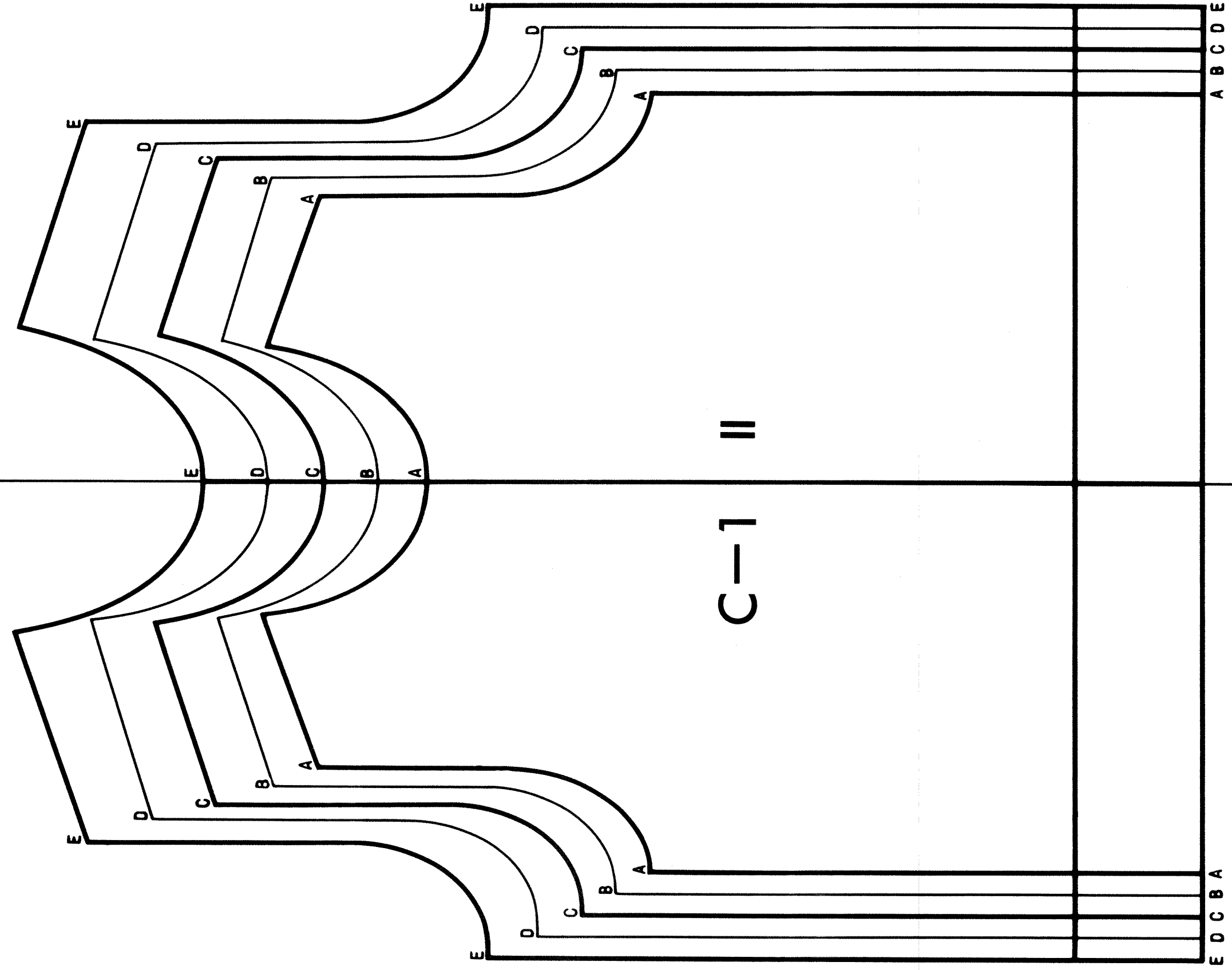
	A	B	C	D	E
a	92cm (36 $\frac{1}{2}$)	97cm (38 $\frac{1}{2}$)	102cm (40 $\frac{1}{2}$)	107cm (42 $\frac{1}{2}$)	112cm (44 $\frac{1}{2}$)
b	100 (39 $\frac{3}{8}$)	105 (41 $\frac{1}{8}$)	110 (43 $\frac{1}{4}$)	116 (45 $\frac{3}{8}$)	120 (47 $\frac{1}{4}$)
c	66 (26)	67.5 (26 $\frac{1}{2}$)	69 (27 $\frac{1}{8}$)	70.5 (27 $\frac{3}{8}$)	72 (28 $\frac{3}{8}$)
d	41 (16 $\frac{1}{8}$)	42 (16 $\frac{1}{2}$)	43 (17)	44.5 (17 $\frac{1}{2}$)	46 (18)

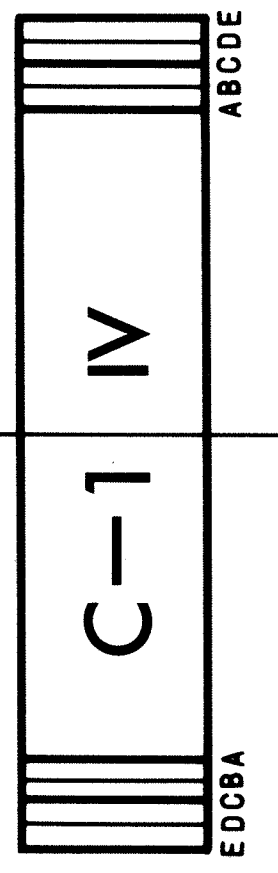
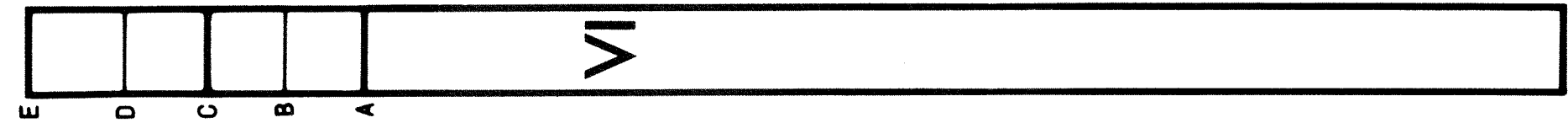
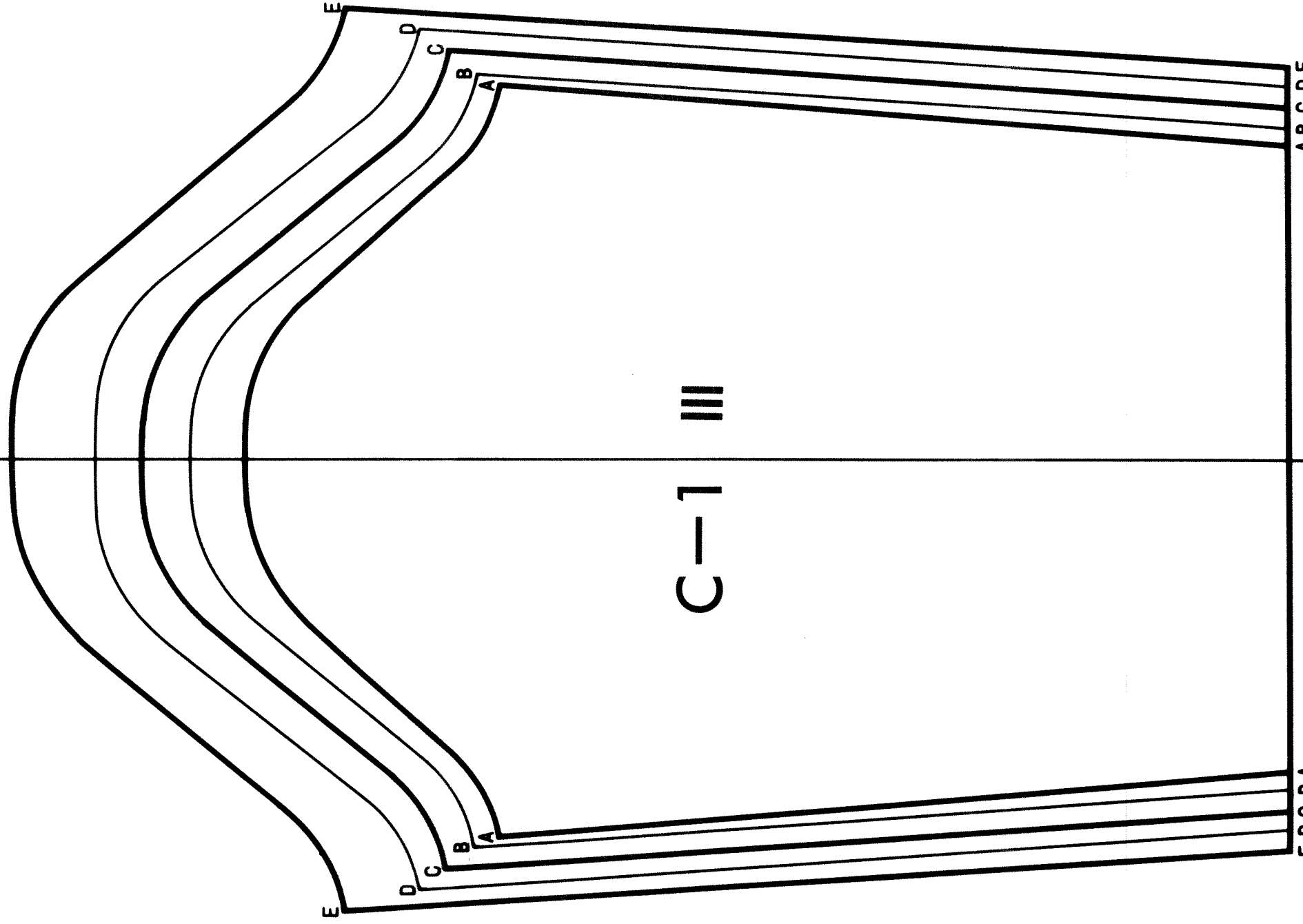
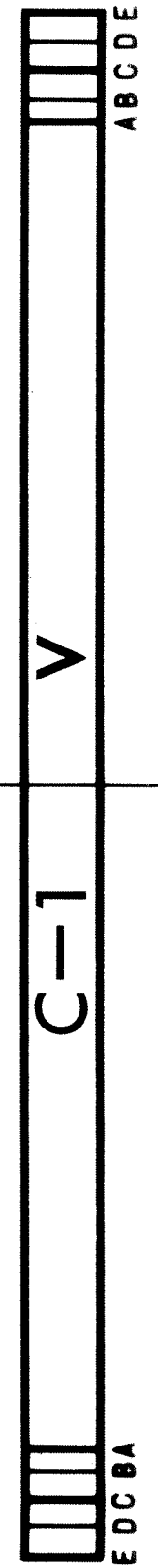




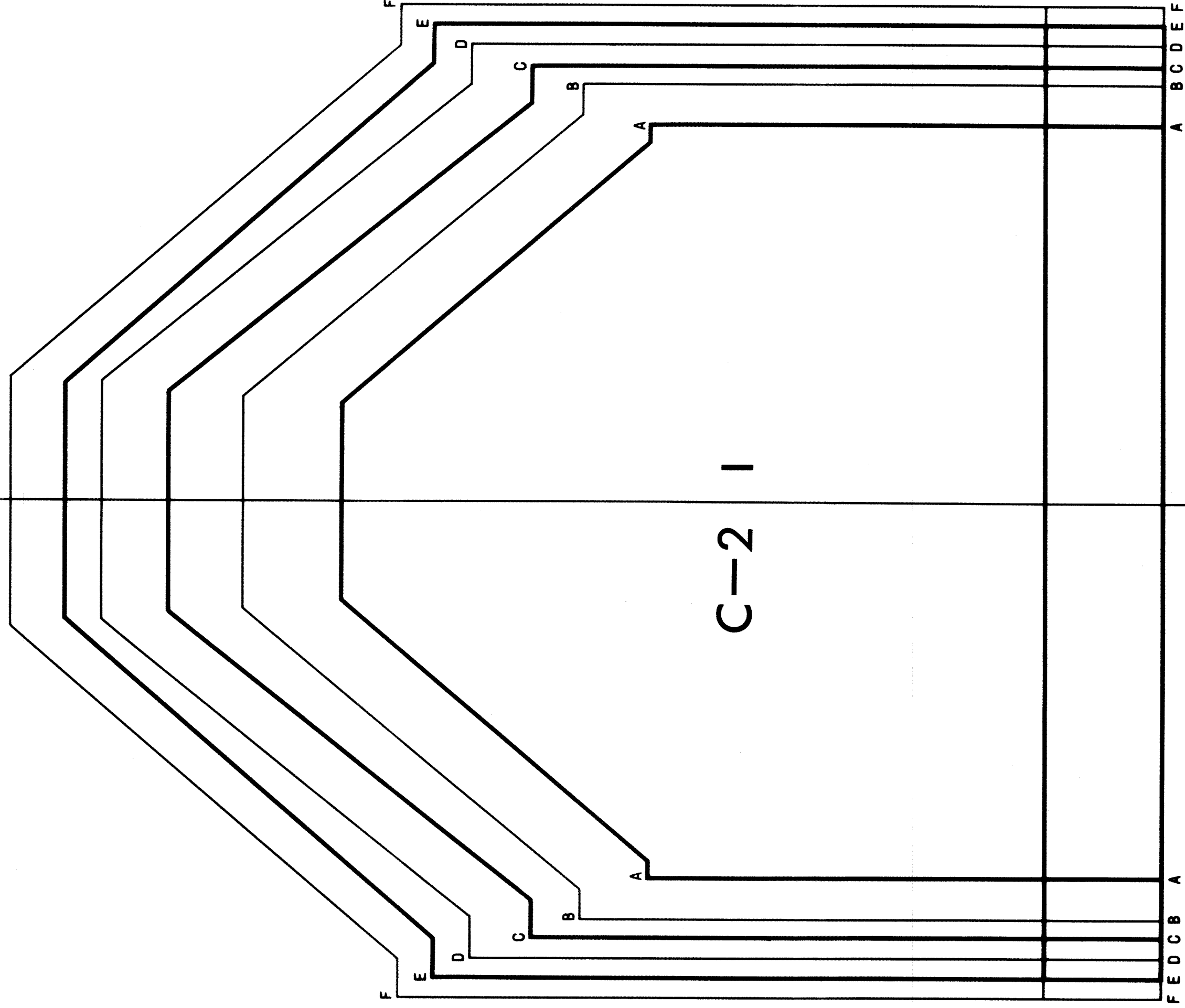
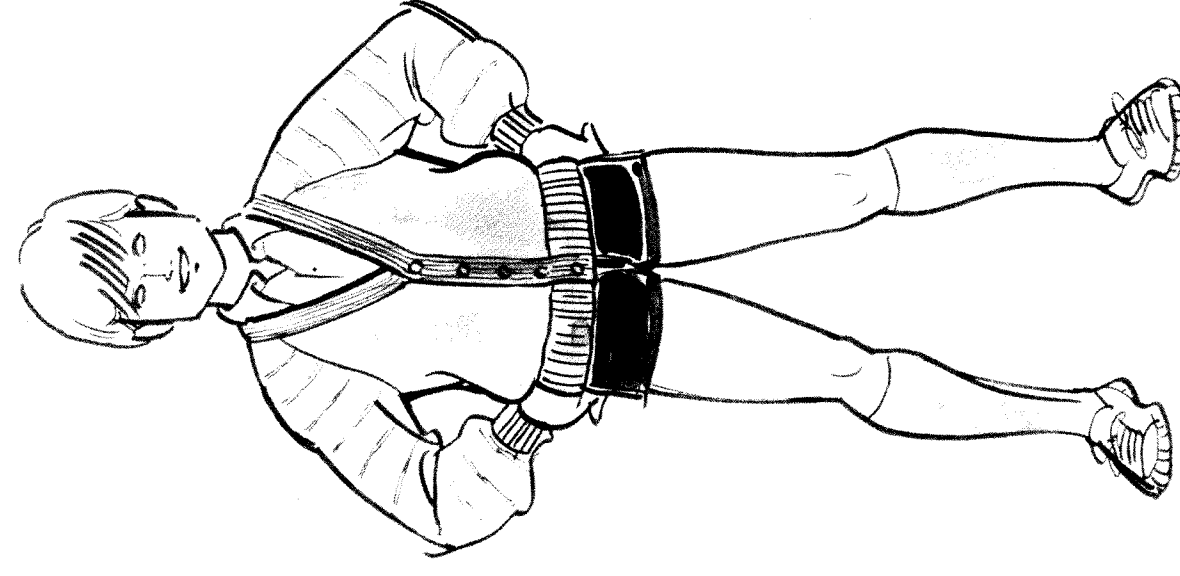
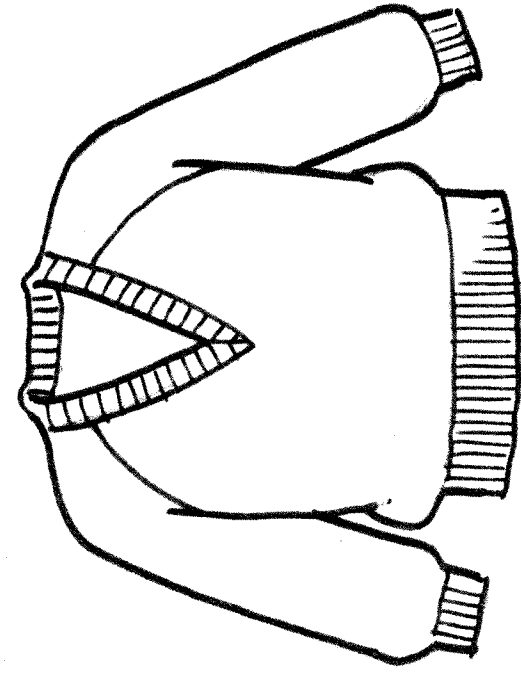
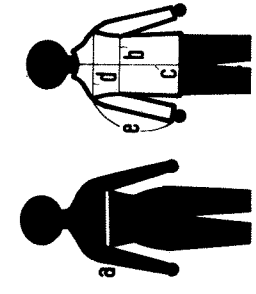
	A	B	C	D	E
a	62.5cm (24 ⁵ / ₈)	65cm (25 ¹ / ₂)	70cm (27 ¹ / ₂)	75cm (29 ¹ / ₂)	80cm (31 ¹ / ₈)
b	72 (28 ³ / ₈)	76 (30)	80 (31 ¹ / ₈)	84 (33)	88 (34 ¹ / ₄)
c	42 (16 ¹ / ₂)	44.5 (17 ¹ / ₂)	47 (18 ¹ / ₂)	50.5 (19 ⁵ / ₈)	54 (21 ¹ / ₄)
d	26 (10 ¹ / ₄)	28 (11)	30 (11 ³ / ₄)	31 (12 ¹ / ₈)	33 (13)
e	45 (17 ³ / ₄)	47 (18 ¹ / ₂)	49 (19 ¹ / ₄)	51 (20)	54 (21 ¹ / ₄)

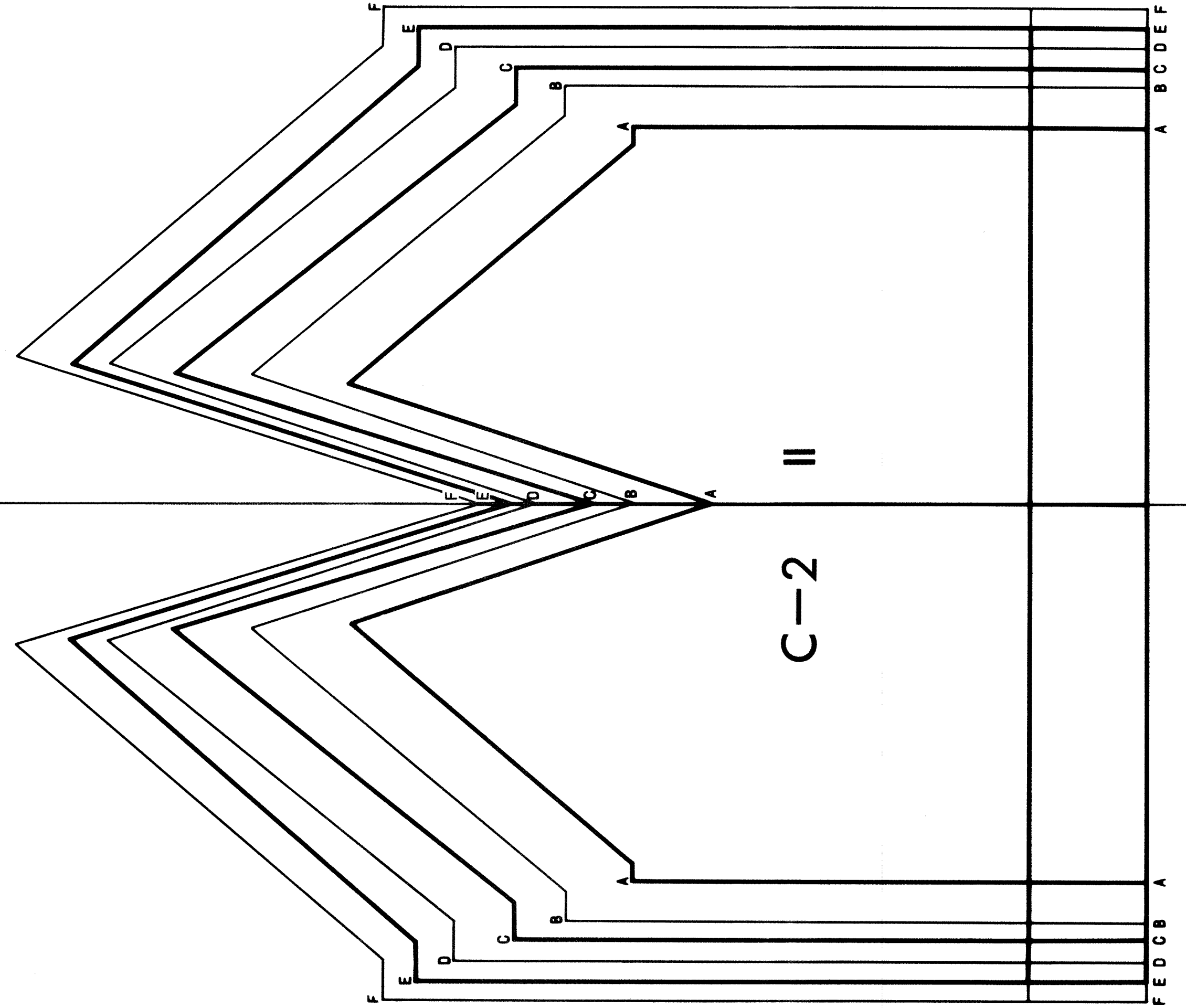


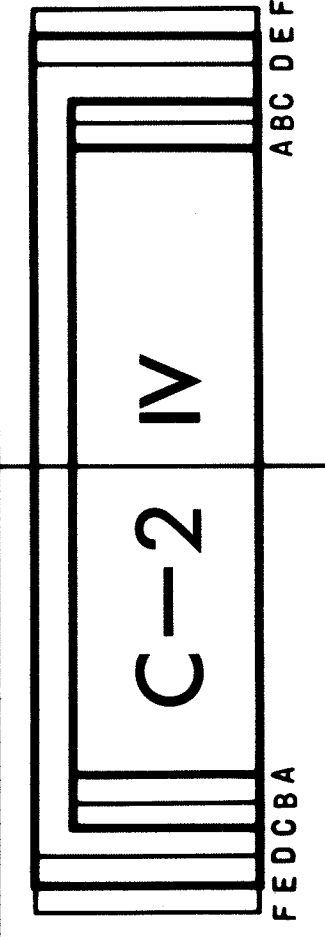
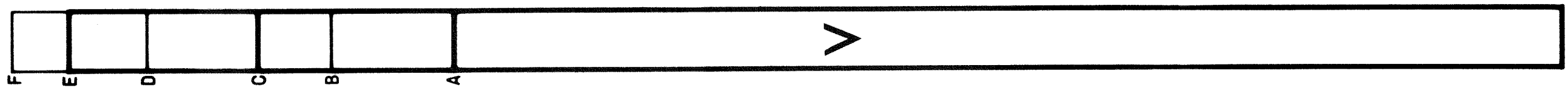
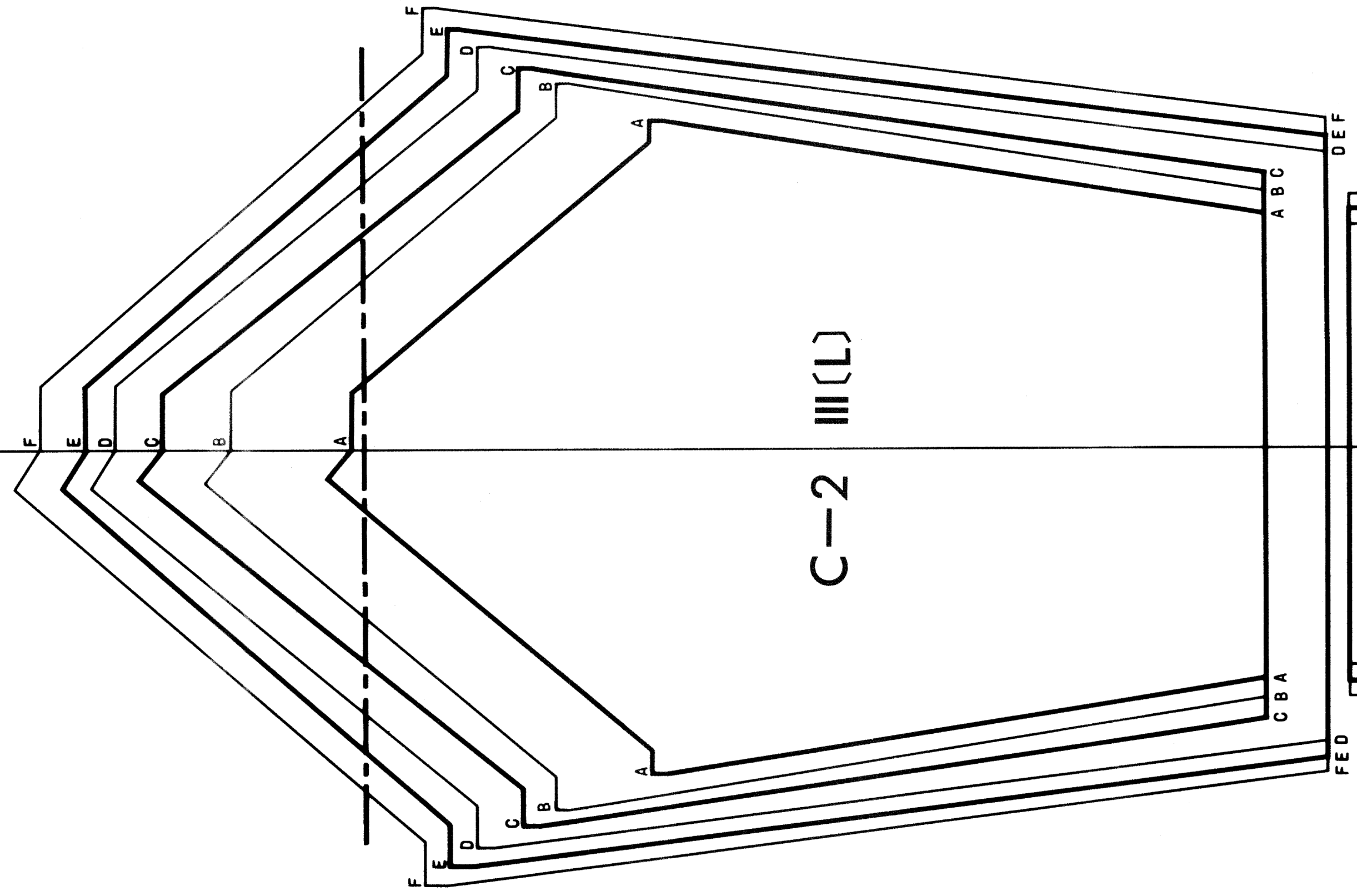
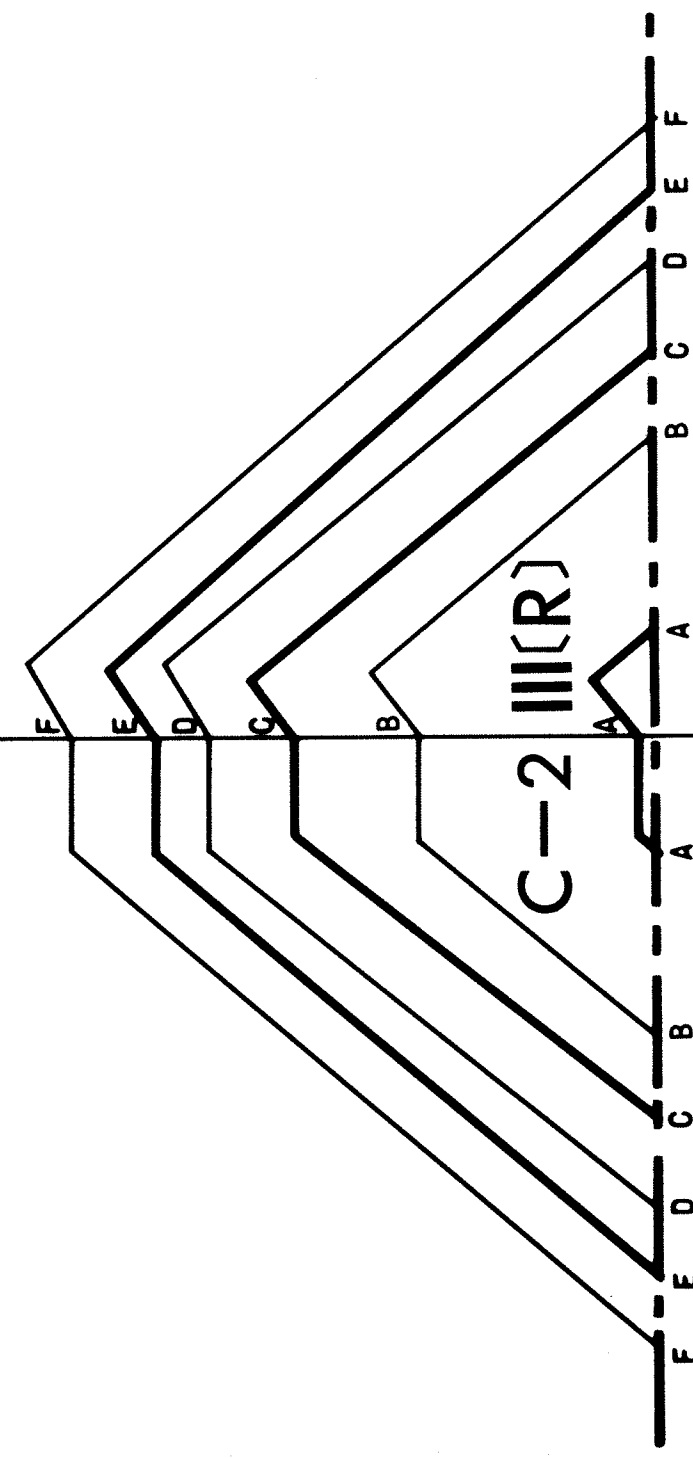




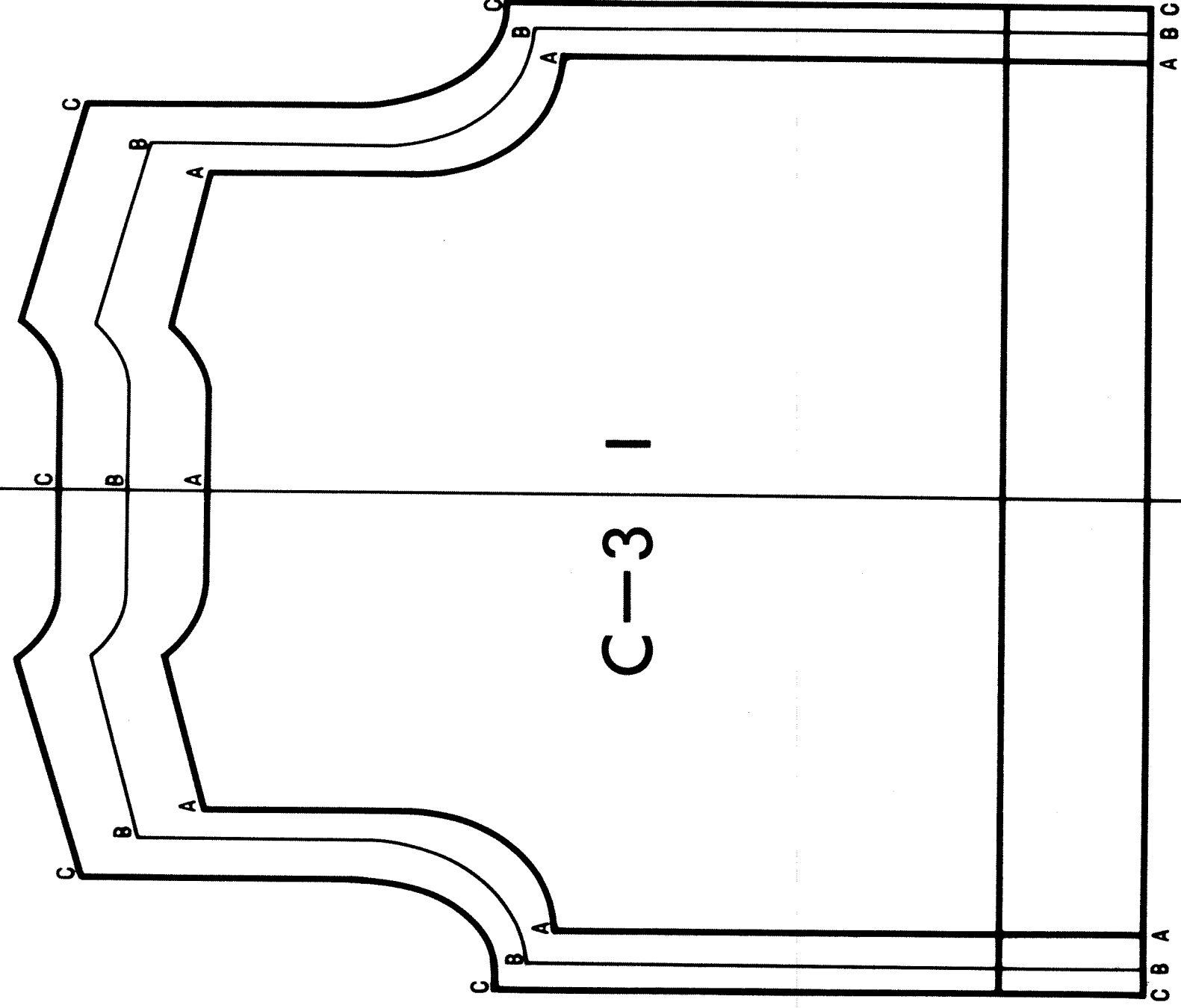
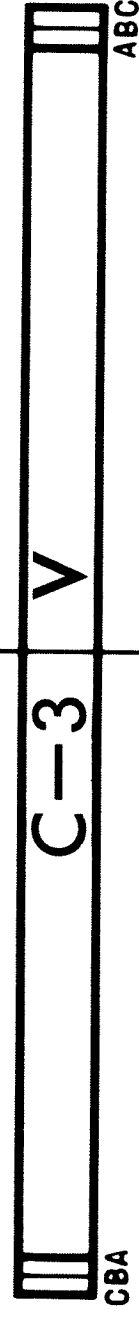
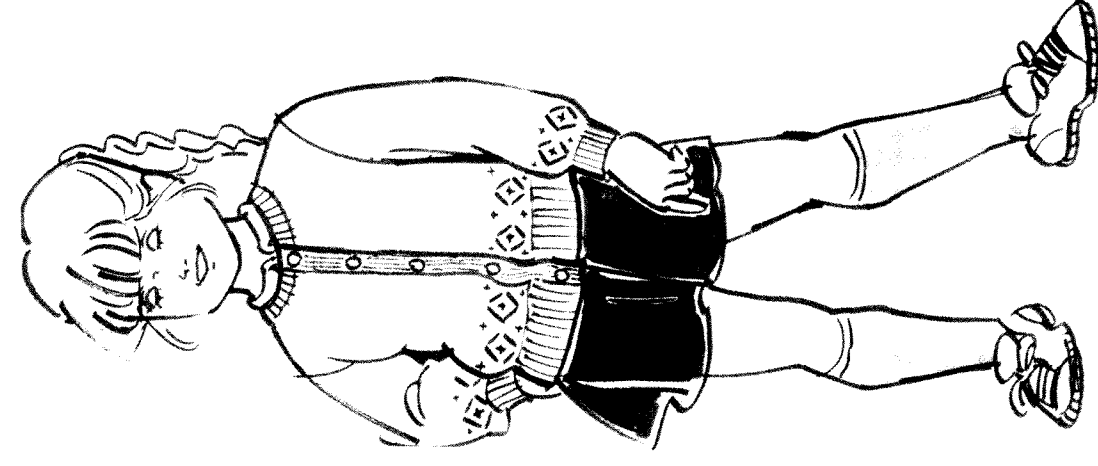
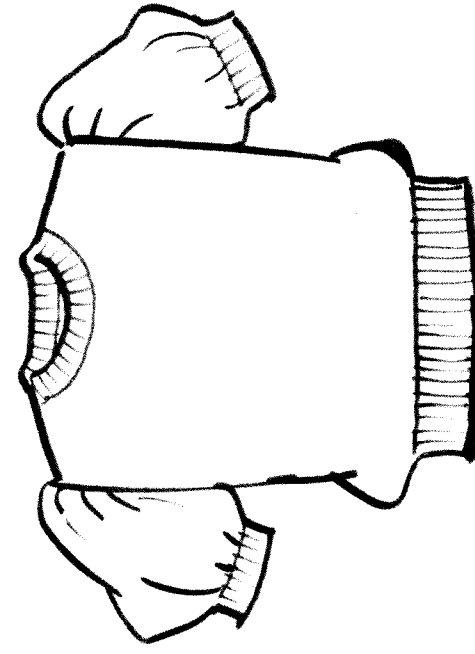
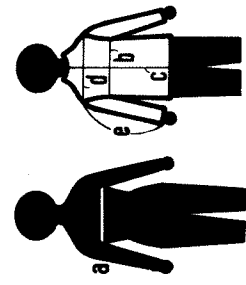
	A	B	C	D	E	F
a	66cm (26")	71cm (28")	76cm (30")	81cm (31 ⁷ / ₈ ")	85cm (33 ¹ / ₂ ")	89cm (35")
b	76 (30)	84 (33)	88 (34 ¹ / ₂)	92 (36 ¹ / ₂)	96 (37 ¹ / ₂)	100 (39 ³ / ₈)
c	42 (16 ¹ / ₂)	47 (18 ¹ / ₂)	51 (20)	54 (21 ¹ / ₄)	56 (22)	59 (23 ¹ / ₄)
d	28 (11)	31 (12 ¹ / ₈)	33 (13)	35 (13 ³ / ₈)	36 (14 ¹ / ₈)	38 (15)
e	41.5 (16 ¹ / ₈)	46.5 (18 ¹ / ₄)	50 (19 ³ / ₄)	53.5 (21)	56 (22)	58 (22 ³ / ₈)

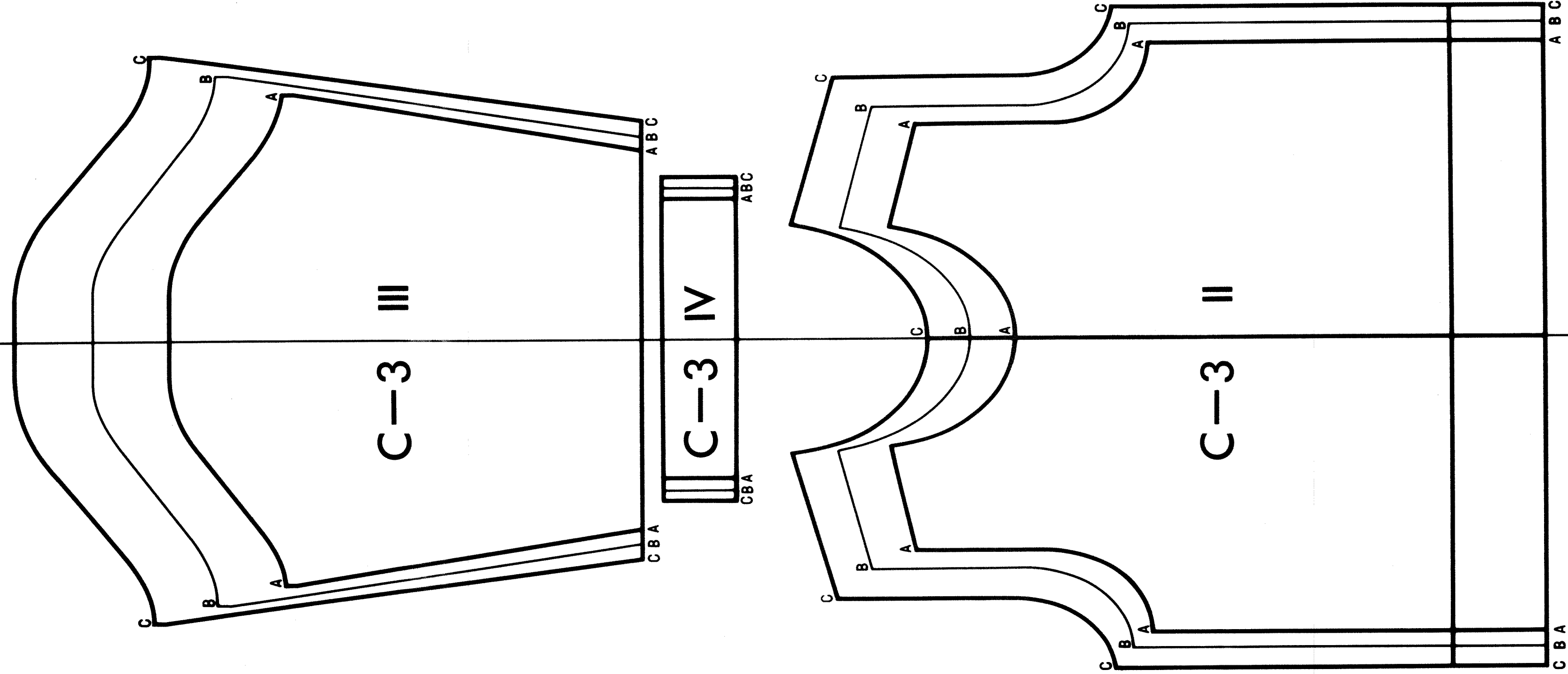




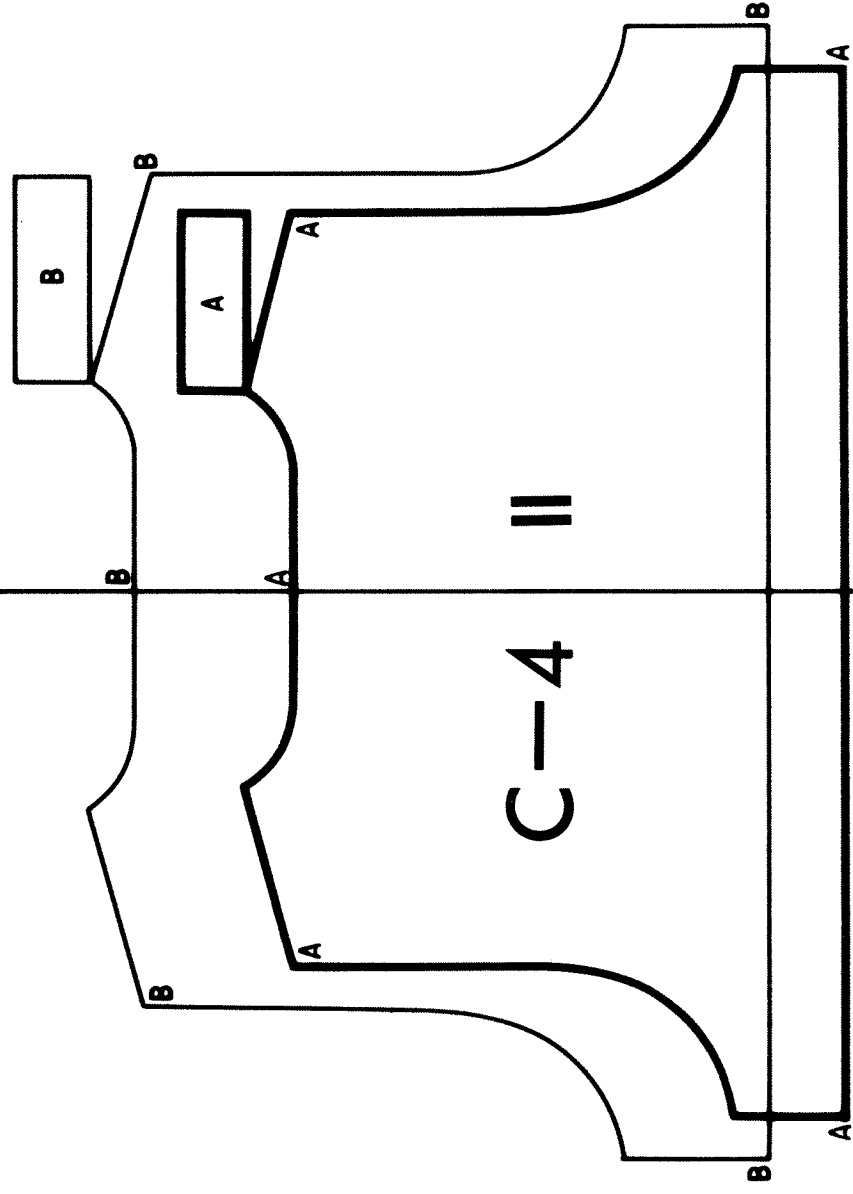
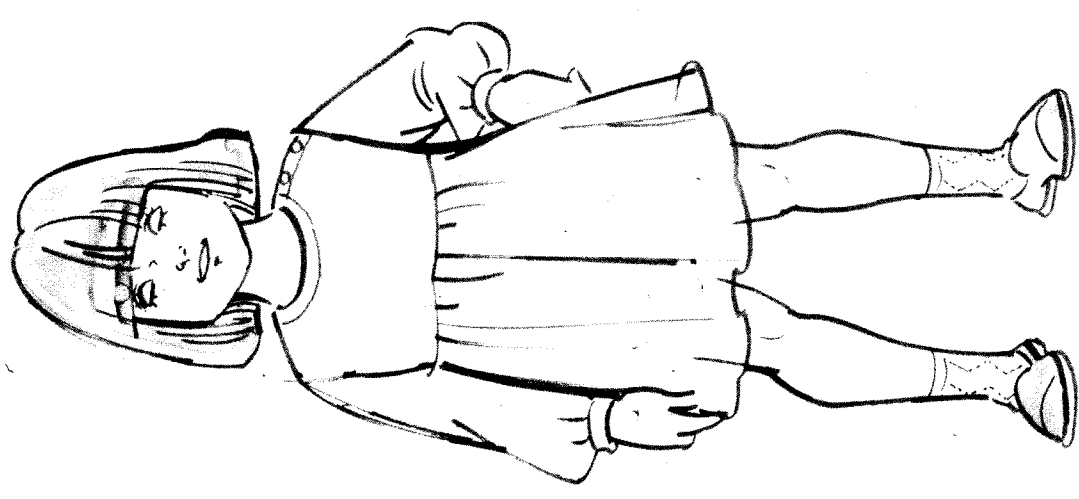
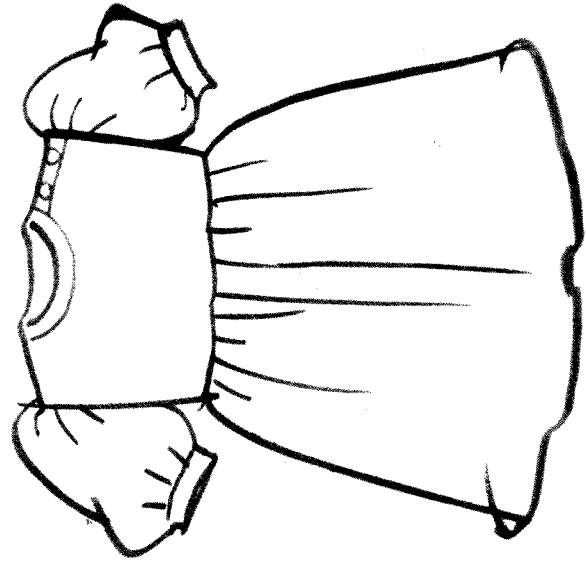
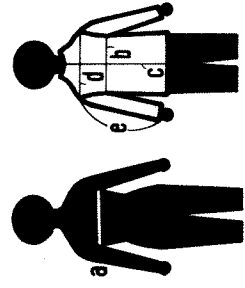


	A	B	C
a	52cm (20½")	56cm (22")	60cm (23½")
b	62 (24¾)	66 (26)	70 (27½)
c	33 (13)	36 (14½)	39 (15¾)
d	22.5 (9½)	25 (9¾)	27.5 (10¾)
e	29 (11½)	33 (13)	37 (14½)

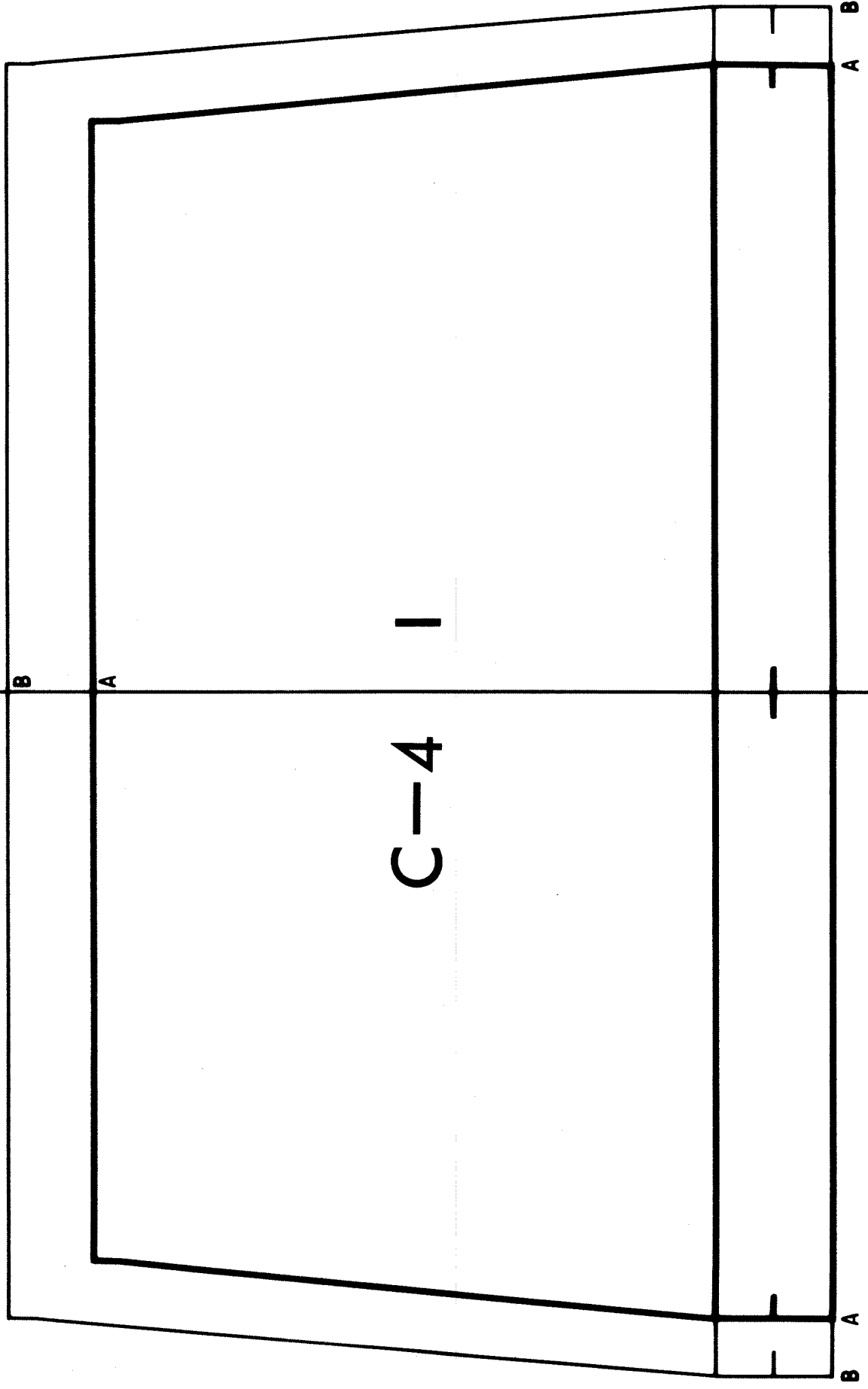




	A	B
a	52cm (20 $\frac{1}{2}$)	54cm (21 $\frac{1}{4}$)
b	56 (22)	60 (23 $\frac{5}{8}$)
c	39 (15 $\frac{3}{8}$)	44 (17 $\frac{1}{4}$)
d	20 (7 $\frac{7}{8}$)	22 (8 $\frac{5}{8}$)
e	30 (11 $\frac{3}{4}$)	32 (12 $\frac{5}{8}$)

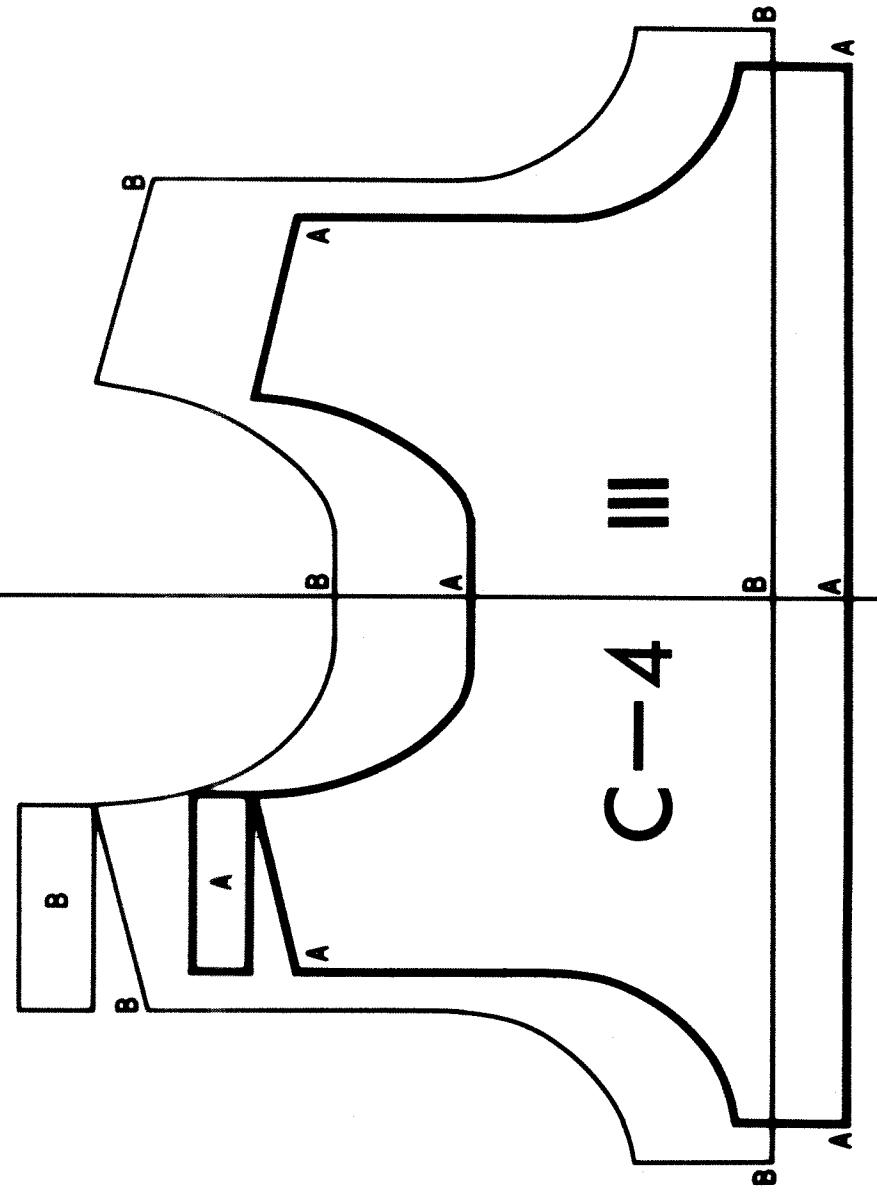
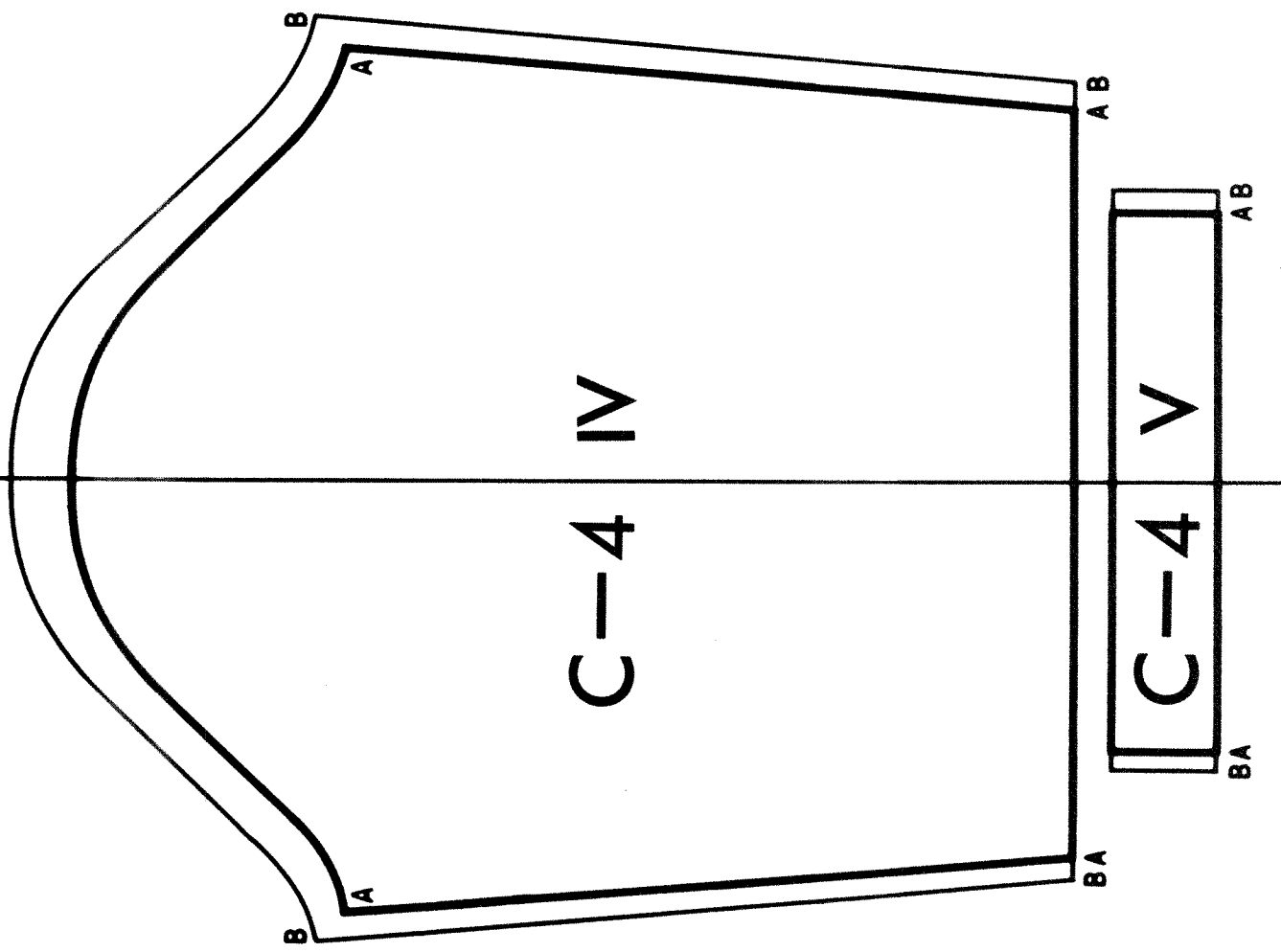
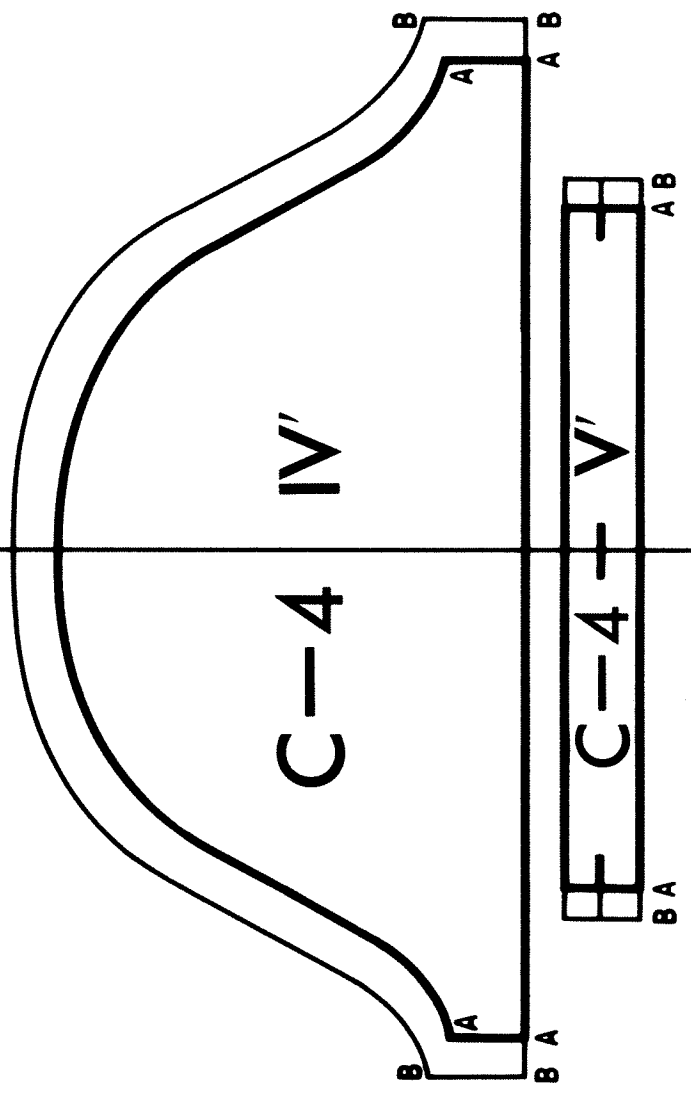
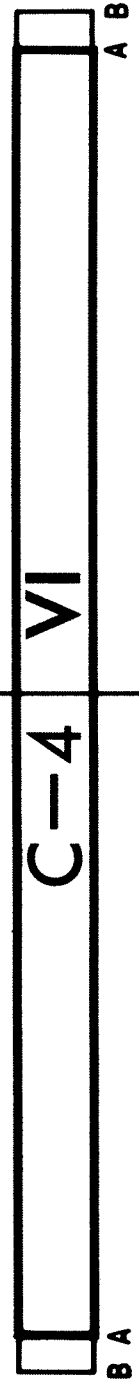


C-4 II

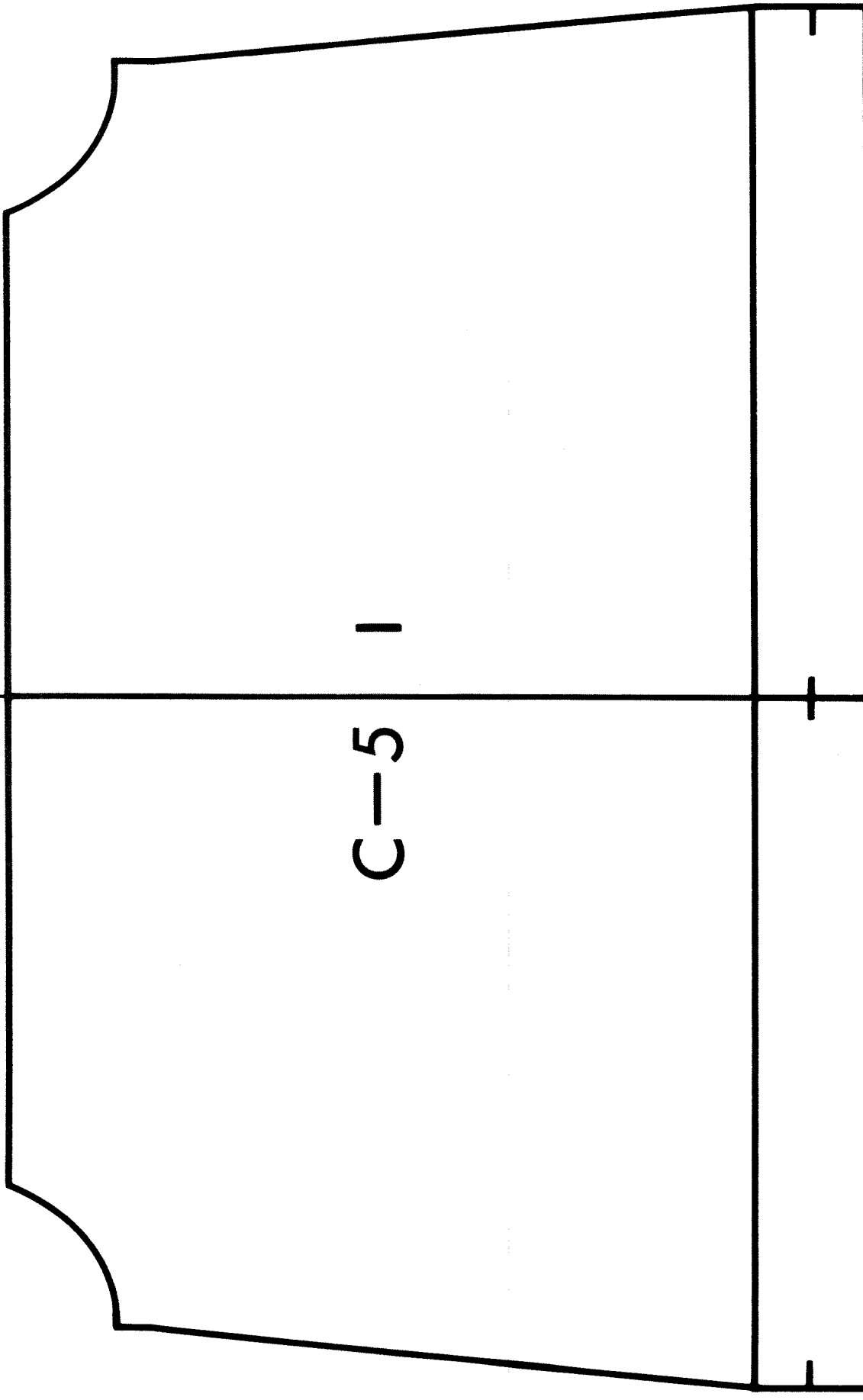
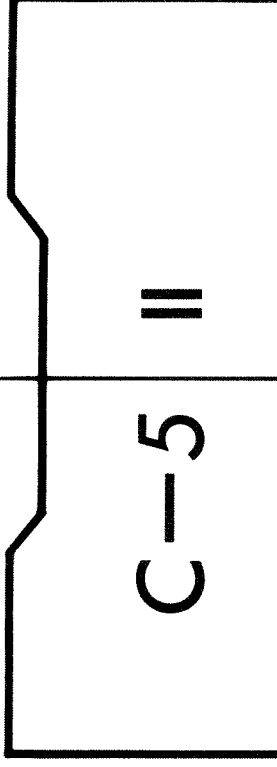
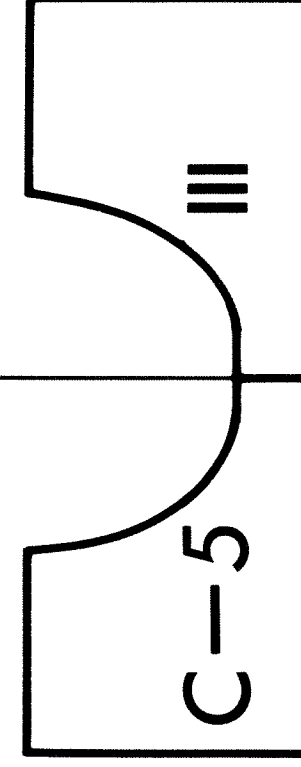
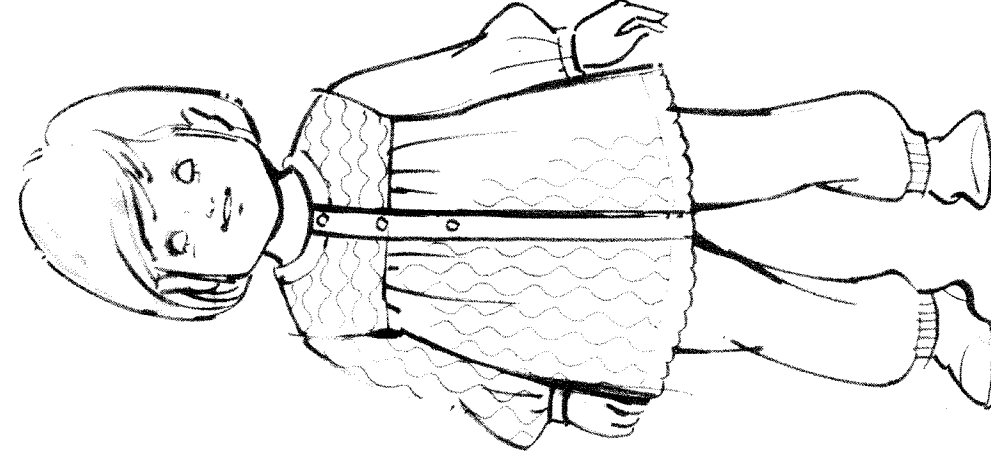
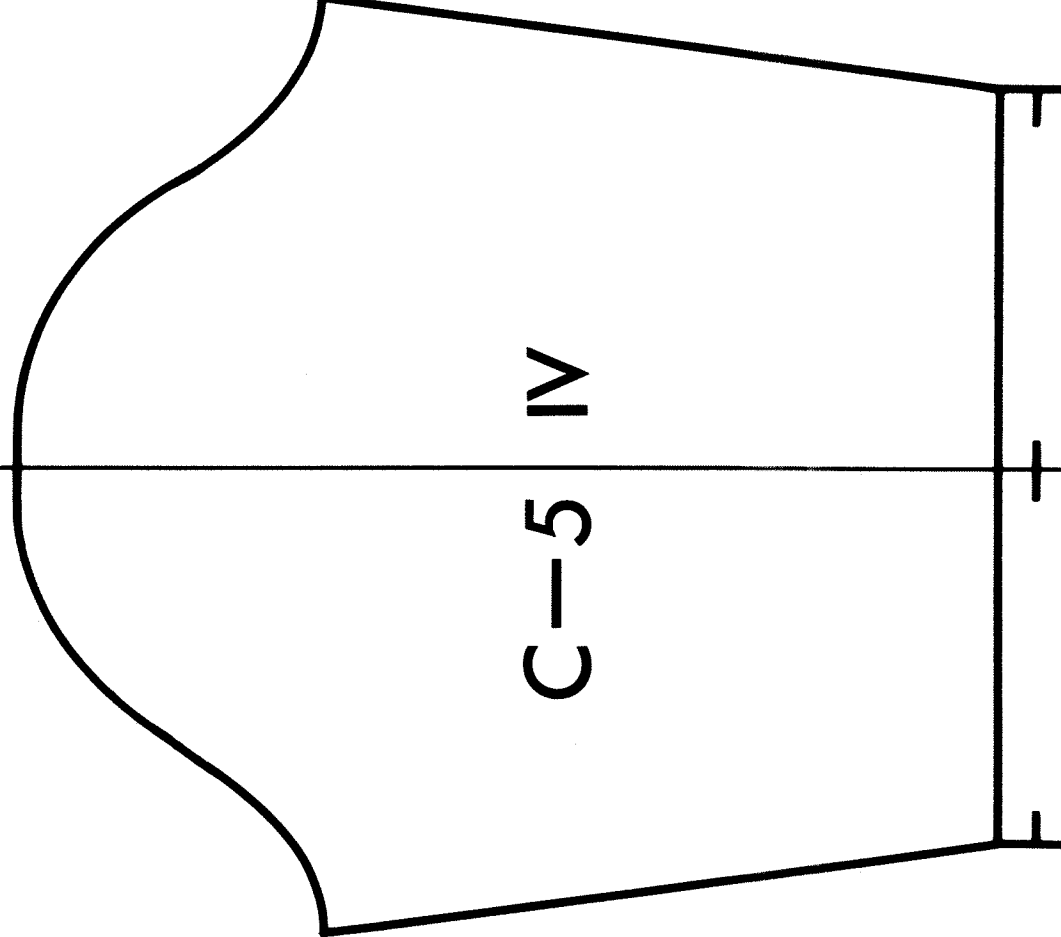
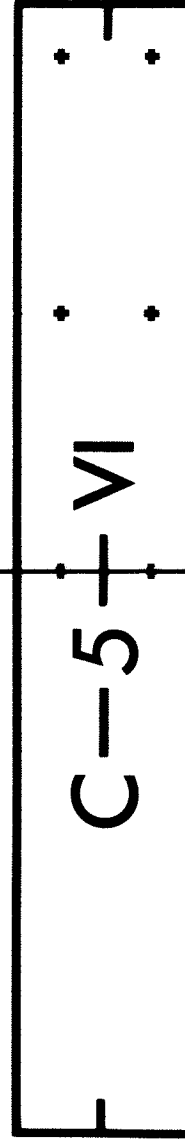
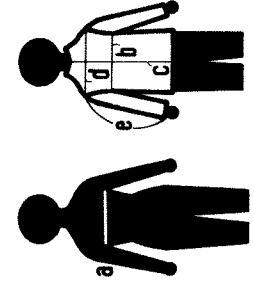


C-4 I

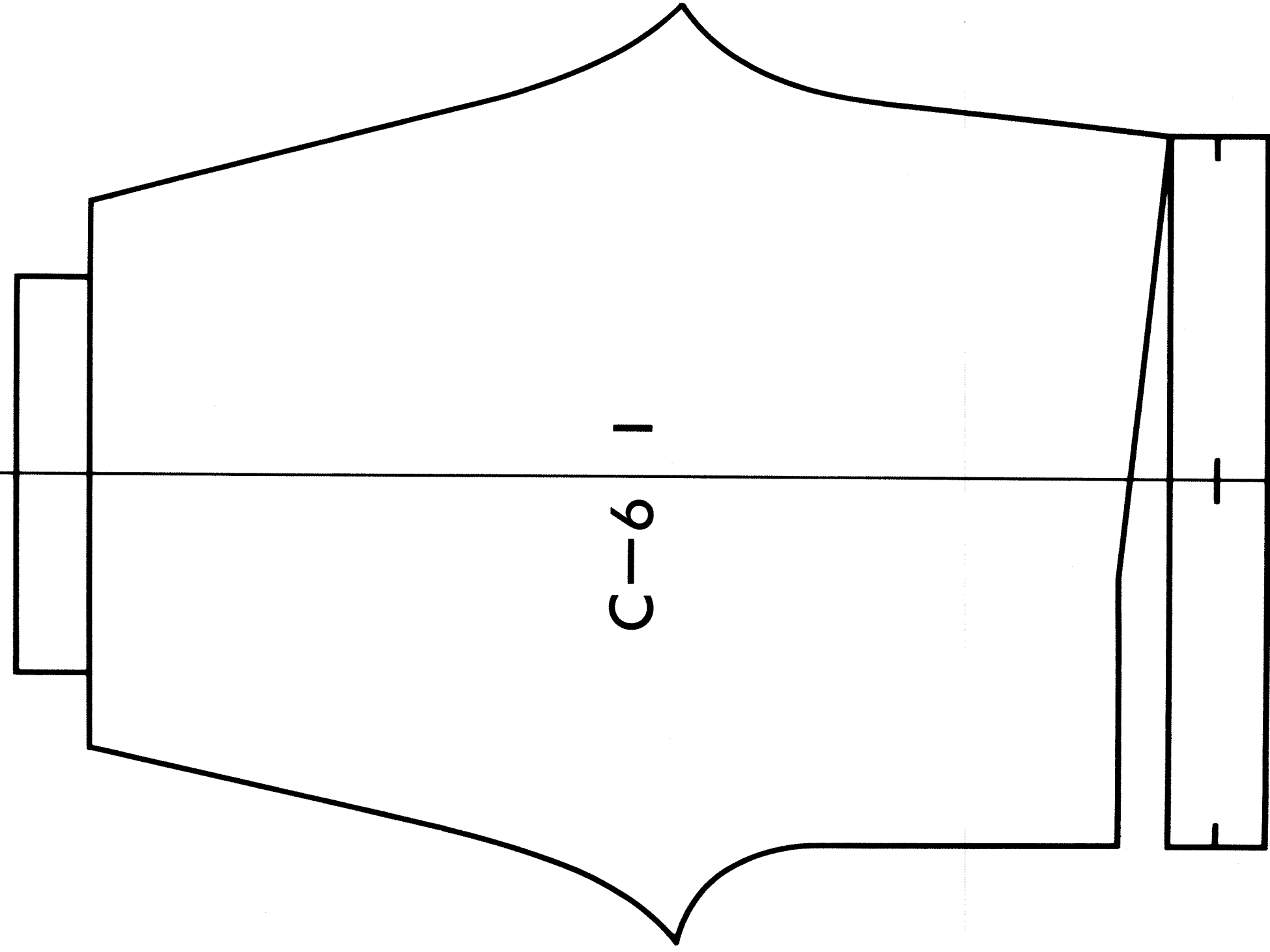
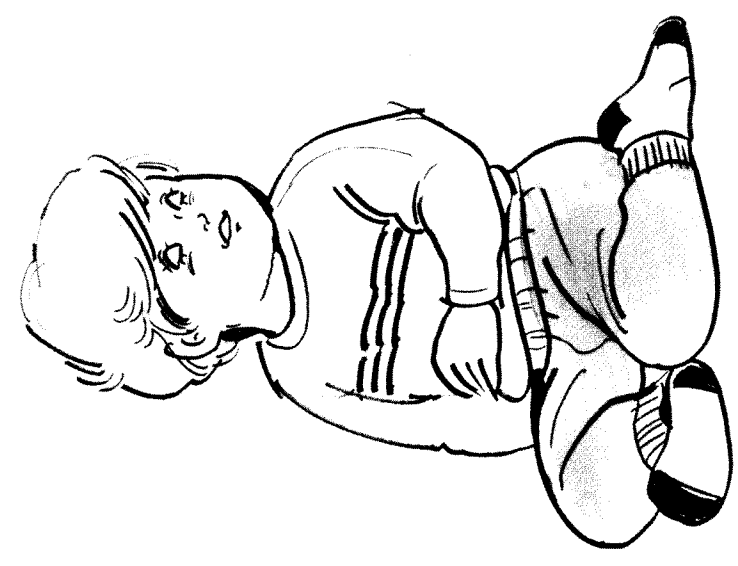












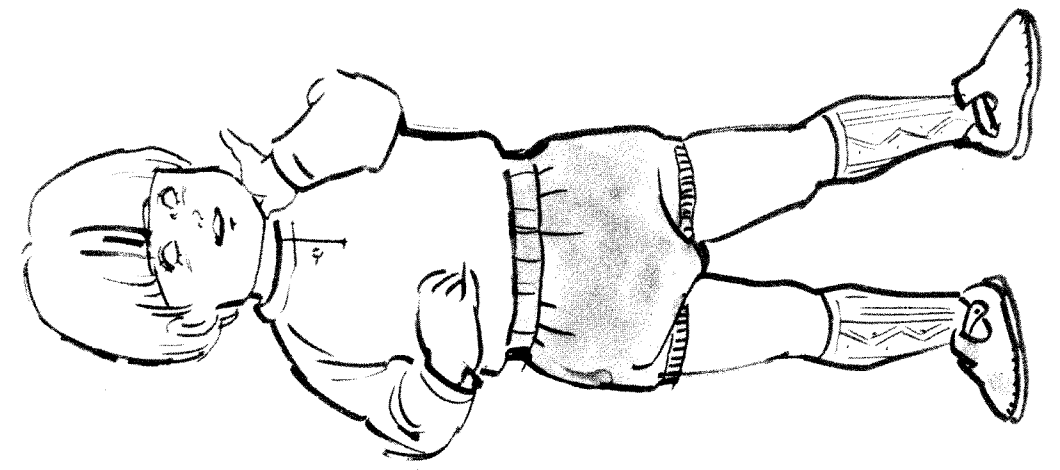
a	56cm (22")
b	40 (15 $\frac{3}{4}$)
c	35 (13 $\frac{3}{4}$)
d	20 (7 $\frac{7}{8}$)
e	27 (10 $\frac{5}{8}$)



	53.5cm (21")
	60 (23 3/4)
	47 (18 1/2)
	51 (20)



		53.5cm (21")
a		
		60 (23 ⁷ / ₈)
b		
		16.5 (6 ¹ / ₂)
c		
		51 (20)
d		



C-7 III

