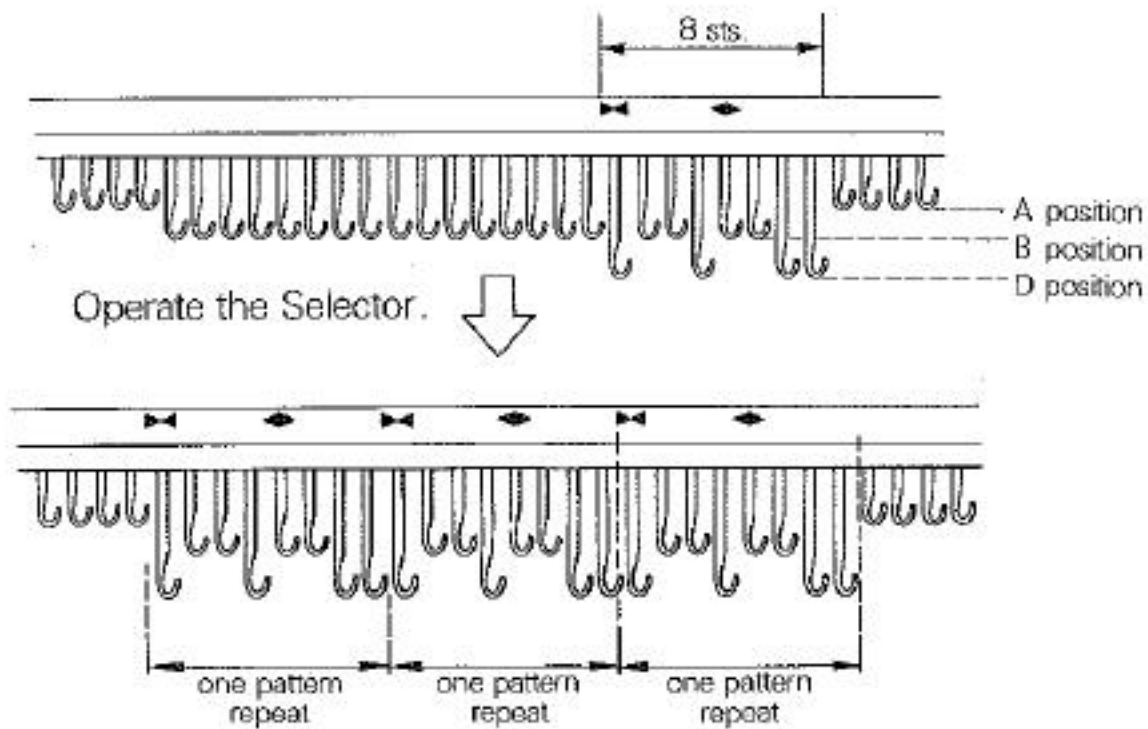


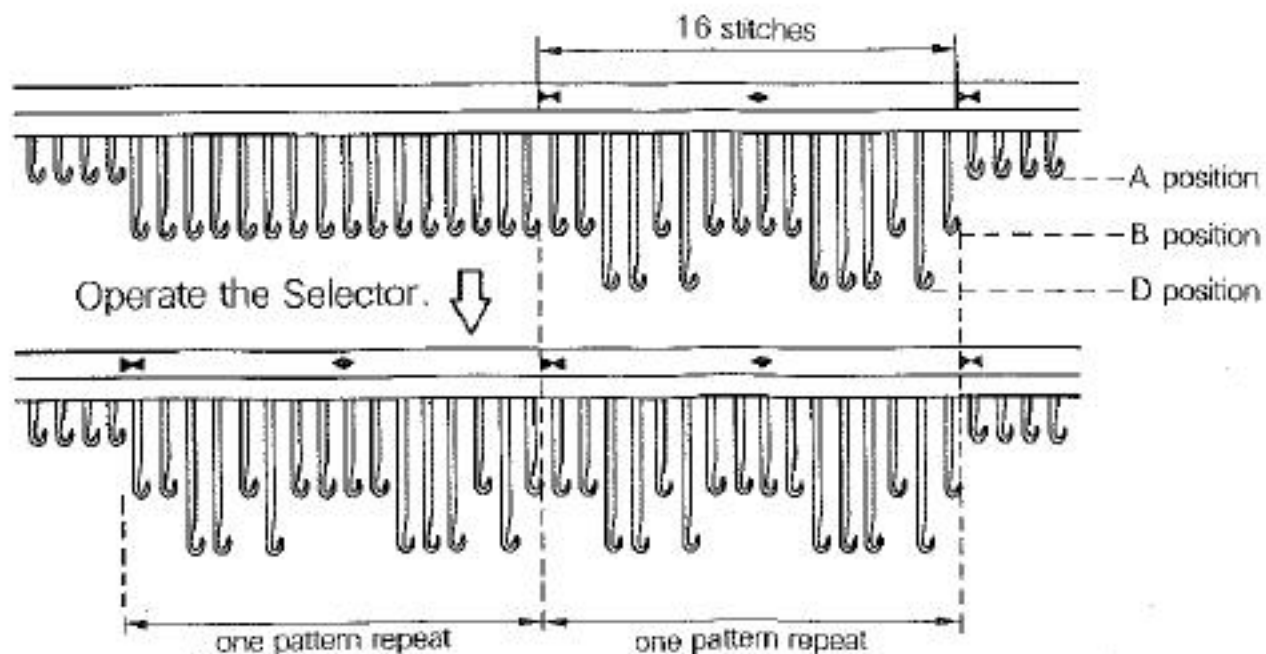
SELECTING THE NEEDLES

1. Select the 8 (in case of 9mm pitch gate pegs, 16 in case of 4.5mm pitch gate pegs) needles at the right edge of the knitting to B and D position by hand.
2. Operate the Selector. The rest of the needles are selected repeating the first needle selection for 8 (in case of 9mm pitch gate pegs, 16 in case of 4.5mm pitch gate pegs) needles.

— In case of 9mm pitch gate pegs —



— In case of 4.5mm pitch gate pegs —



HOW TO USE THE SELECTOR

EX. Let's knit skip stitch pattern using 9mm pitch gate pegs.

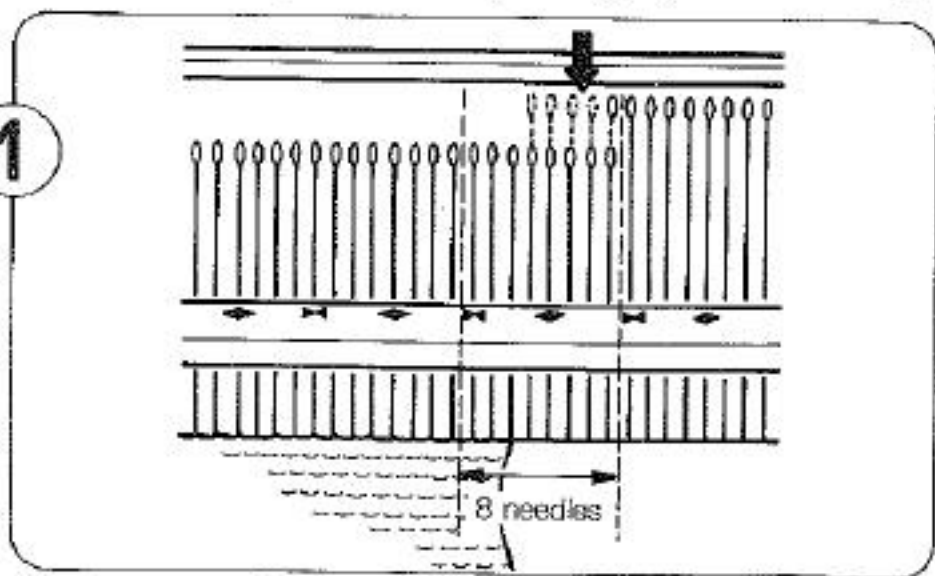
[Operation diagram] (1 pattern repeat = 4 stitches, 12 rows)

12											→
11											→
10											→
9											→
8	PLAIN										→
7		▨				▨					→
6			▨				▨				→
5				▨				▨			→
4					▨				▨		→
3				▨						▨	→
2			▨								→
1	PART	▨			▨						→
row		1	2	3	4	5	6	7	8		direction of the Carriage
		↔				↔					

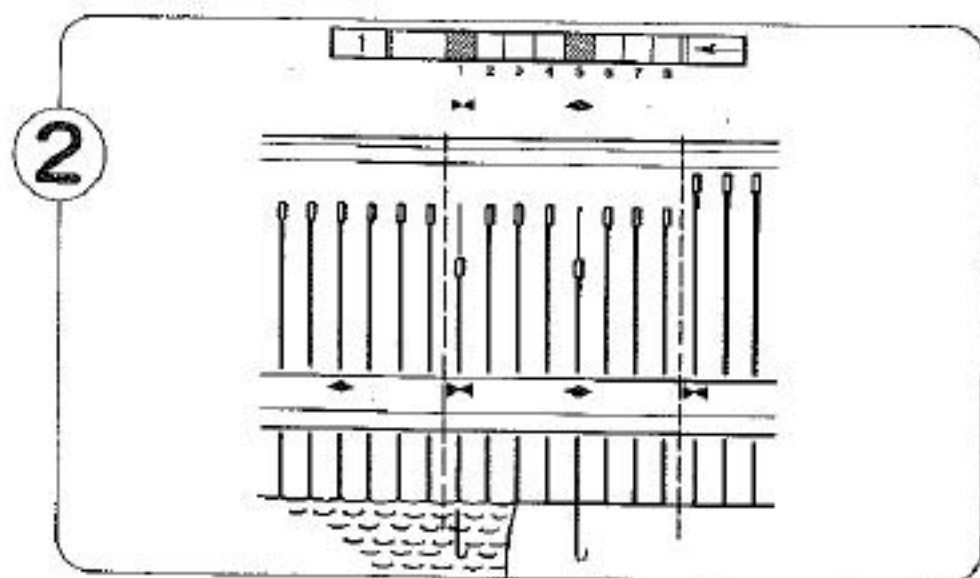
Put the needles marked with ▨ forward to D position.

These marks corresponds to the marks on the needlebed.

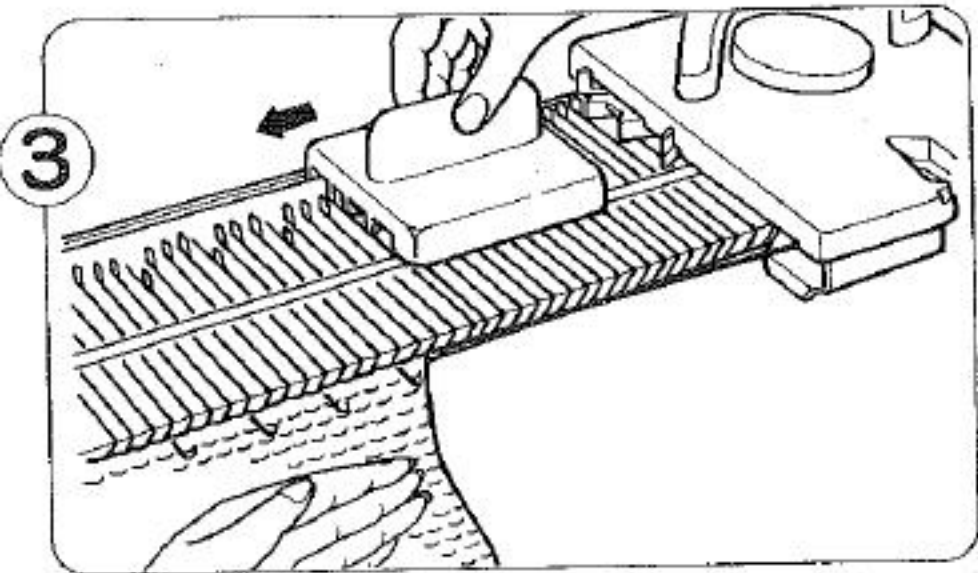
● Knit in stocking stitch until you begin pattern knitting.



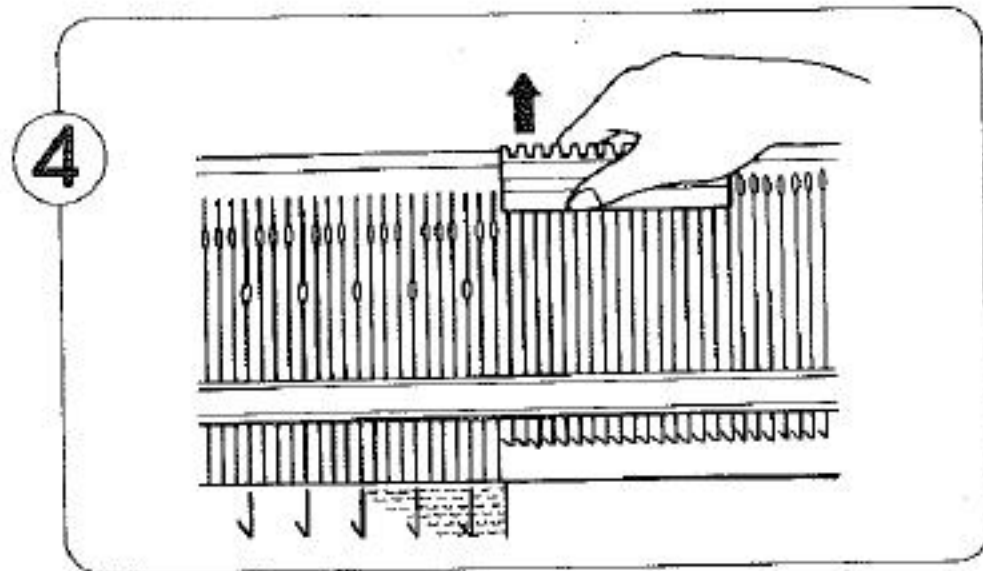
Bring the 8 needles beginning with the right end ↔-marked needle in the knitting forward to B position.



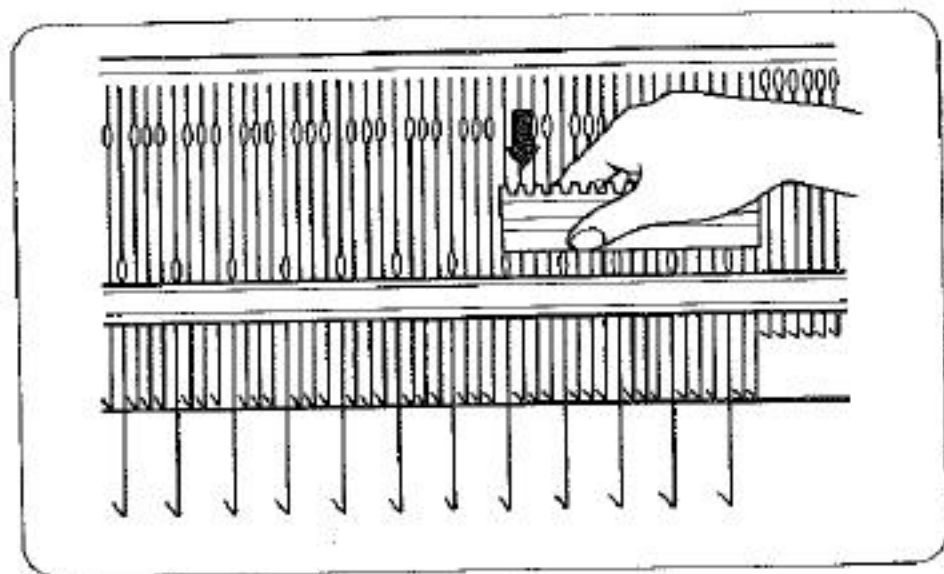
Select the 8 needles to D position according to the operation diagram.



3 Slowly move the Selector from right to left holding the knitting against the needlebed.



4 Bring back the empty needles which was brought to B position in step ① to A position. Needle selection is now completed.



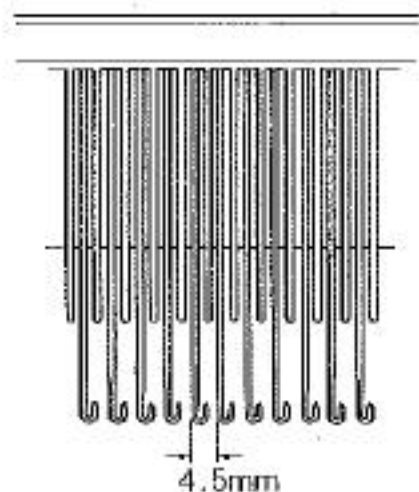
When you want to knit tuck stitch pattern, bring forward the selected needles from D to E position using the Needle Pusher.

★After needle selection knit with the Carriage.

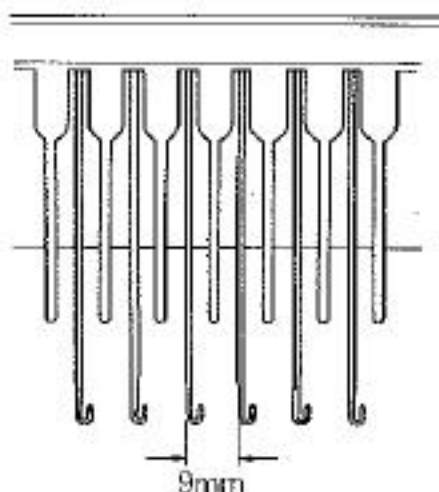
SELECTOR

You can select the needles to B and D position with the Selector.
Needle selection is necessary when knitting tuck stitch and skip stitch patterns.
When using 9mm pitch gate pegs ... 2, 4, and 8-stitch patterns can be knitted.
When using 4.5mm pitch gate pegs ... 2, 4, 8, and 16-stitch patterns can be knitted.

GATE PEG



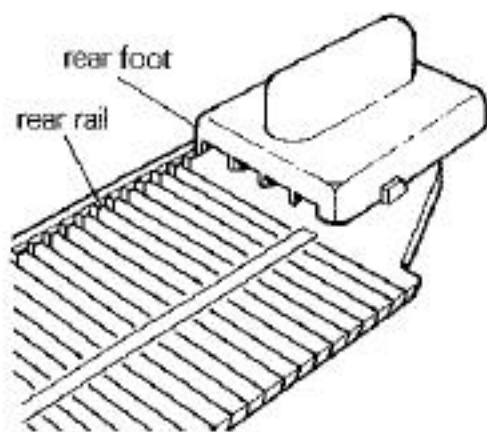
[4.5mm pitch gate peg]



[9mm pitch gate peg]

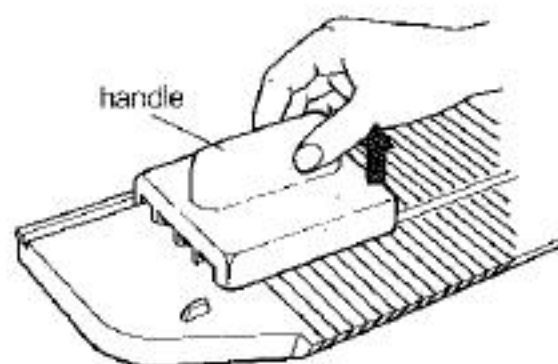
*4.5mm and 9mm pitch are distance between two needles.

SETTING



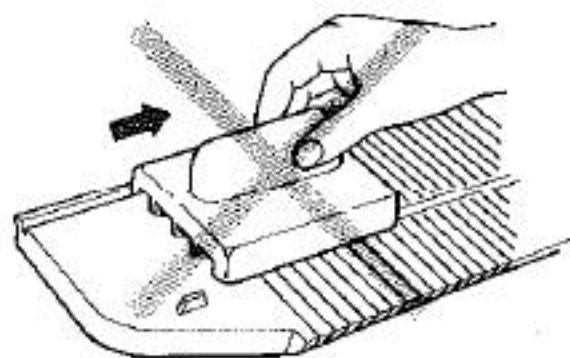
Set the Selector outside the knitting at the right side of the machine.
Put the rear foot of the Selector into the rear rail of the knitting machine.

RELEASING

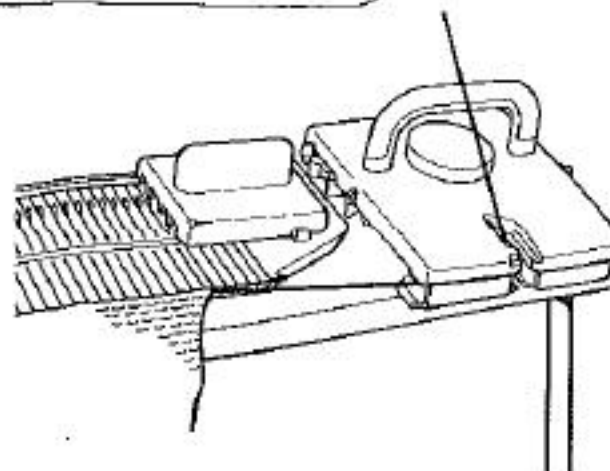


Lift the Selector holding the handle.

IMPORTANT POINTS



You cannot operate the selector from left to right.



When the knitting is so wide that the Carriage obstructs the operation of the Selector, release the Carriage from the needlebed.