

Copyright © Bond Knitting Systems 1980. Design - Graham Whalley

BOND BOOK 1

Getting Started!

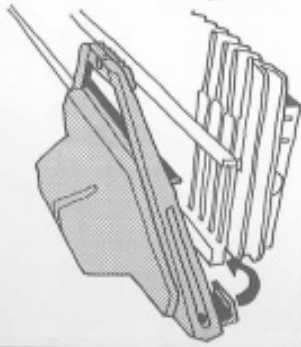
Understanding your knitting machine!

This book shows you how to:

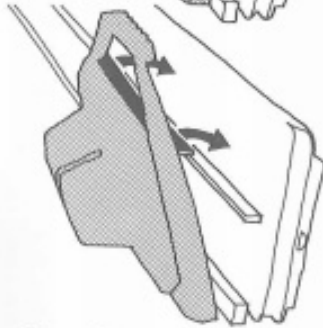
- Set up the machine
- See how it works

Start here and see how easy it is!

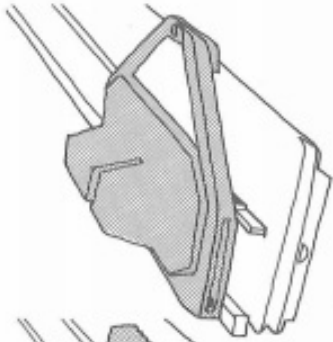
The carriage clips over the back of the machine like this:



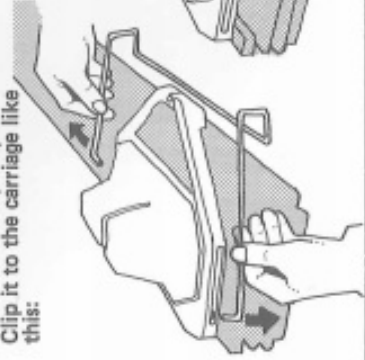
and over the front rail:



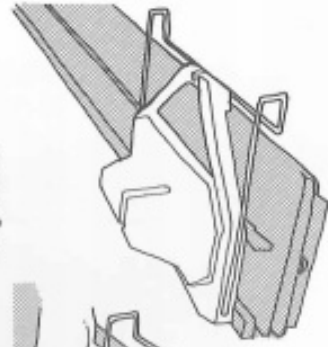
so it looks like this:



now take the fabric guide out of the accessory tray. Clip it to the carriage like this:



make sure it lies properly in the grooves.



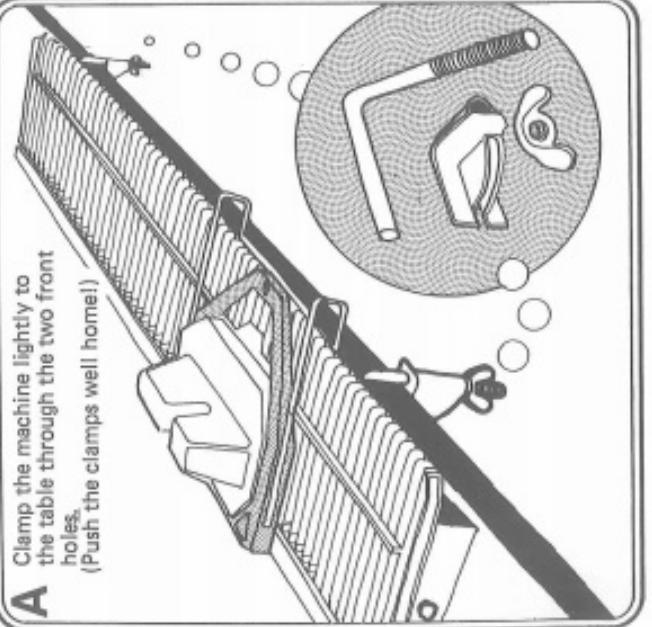
Just follow the steps, and you'll learn to knit quickly and easily!

1

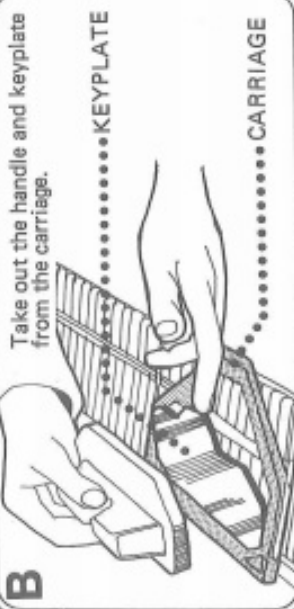
Setting up...

First put the machine on the table. Line up the front with the edge of the table.

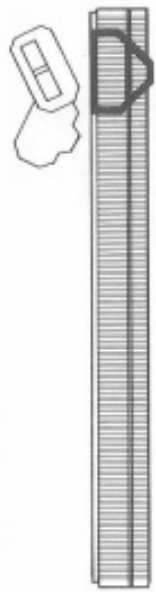
A Clamp the machine lightly to the table through the two front holes. (Push the clamps well home!)



B Take out the handle and keyplate from the carriage.



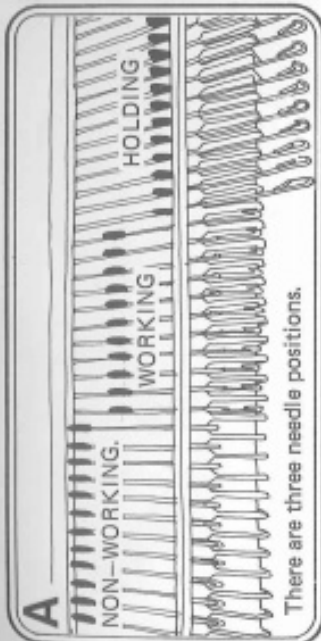
C Push the carriage to the right-hand end of the machine.



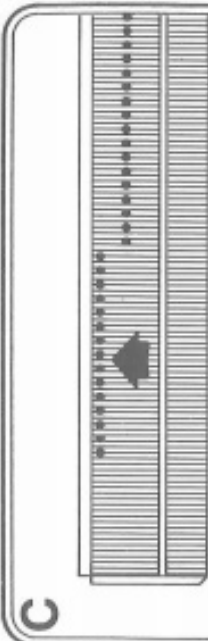
2

Needle Positions; Choosing the number of stitches in the row..

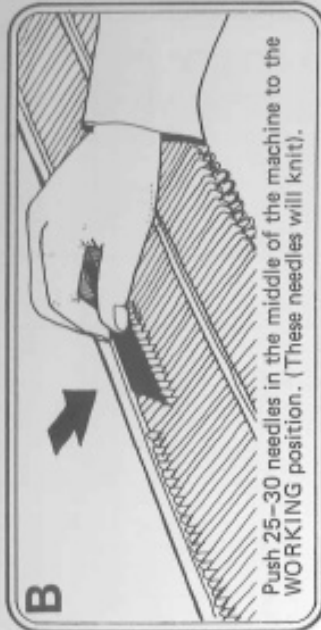
Each needle knits a stitch. So the width of the knitting is determined by the number of needles you use.



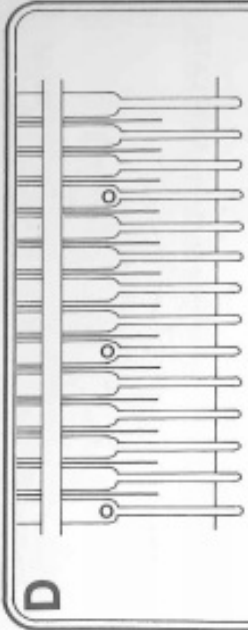
There are three needle positions.



Push all the other needles right back to the NON-WORKING position. (These needles will not knit).



Push 25-30 needles in the middle of the machine to the WORKING position. (These needles will knit).

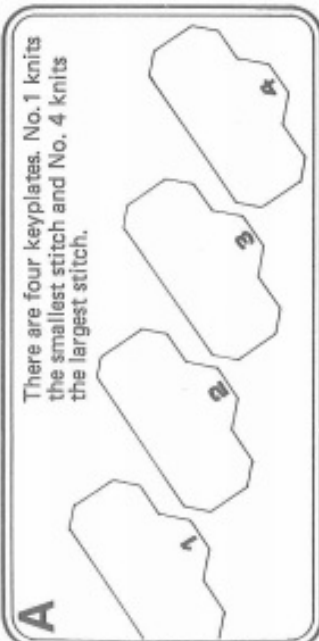


There are five needles between each marker. This helps you count the needles.

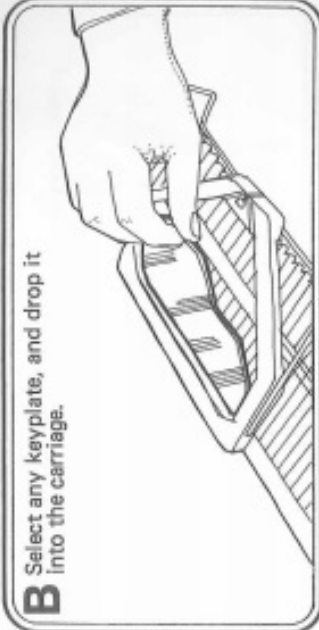
3

Keyplate; Choosing the stitch size..

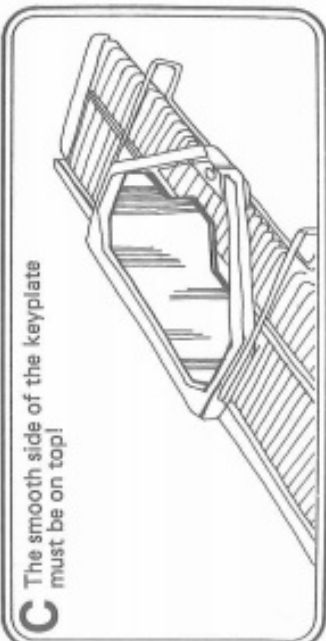
The keyplate determines the size of the stitches knitted. To change the stitch size, you simply change the keyplate!



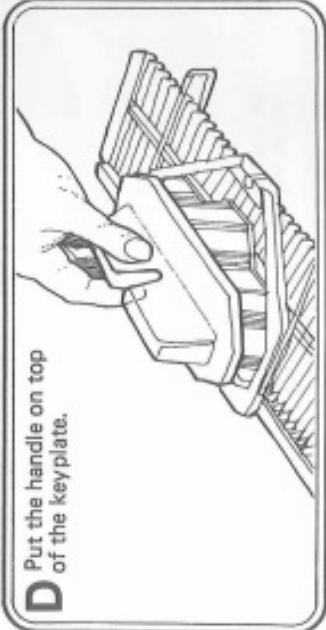
There are four keyplates. No. 1 knits the smallest stitch and No. 4 knits the largest stitch.



Select any keyplate, and drop it into the carriage.



The smooth side of the keyplate must be on top!



Put the handle on top of the keyplate.

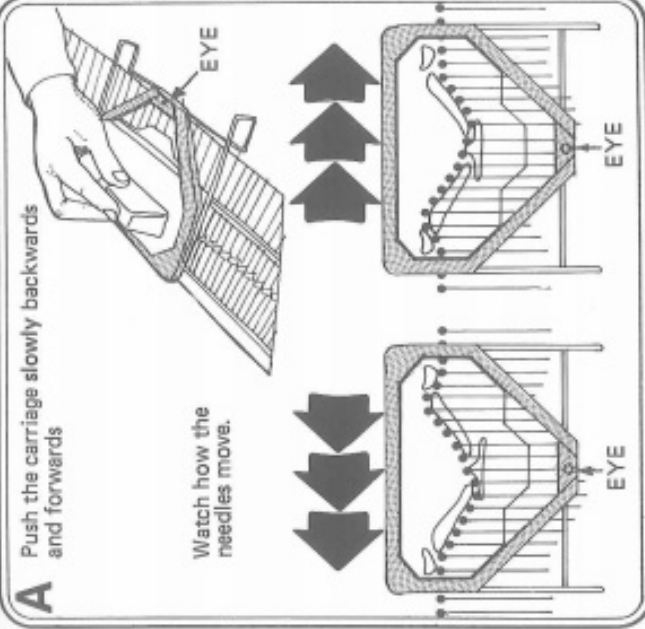
4

Seeing how it works!

Each time you push the carriage across (in either direction) a row of stitches is knitted. The keyplate drives the needles in and out. When they pass under the eye of the carriage, they pick up the yarn and knit a stitch.

A Push the carriage slowly backwards and forwards

Watch how the needles move.



B Never change the direction of the carriage until it is well past the last working needle.

The carriage will jam if you do!

C If the carriage jams

- A. Lift out the handle and keyplate.
- B. Push the carriage to the right-hand end.
- C. Replace the keyplate and handle.
- D. Line up the working needles and start again!

Now you are ready to start knitting your first garment. Turn to BOOK 2 and the first pattern.

Getting Going!

BOOK 2

- This book shows you how to knit your first garment!
- Cast-on
 - Shape the garment
 - Cast-off
 - Press the knitting