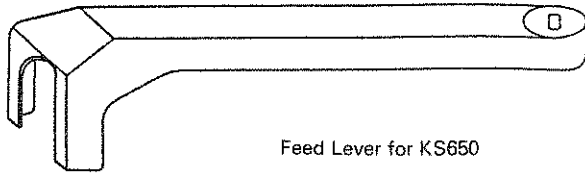
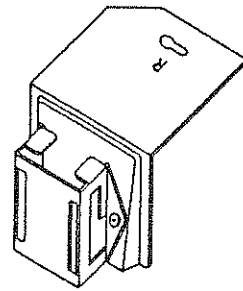


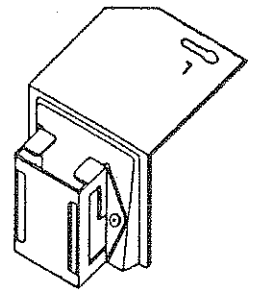
**OPTIONAL ATTACHMENT FOR K33A**



Feed Lever for KS650

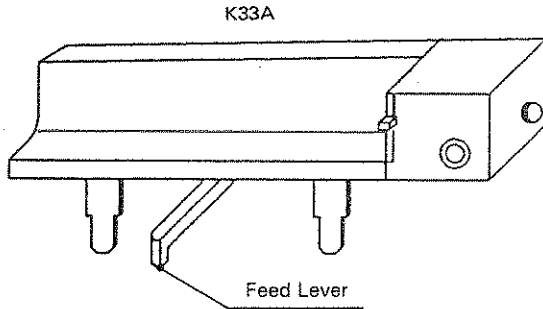


F Setting Bracket Right



F Setting Bracket Left

**1**

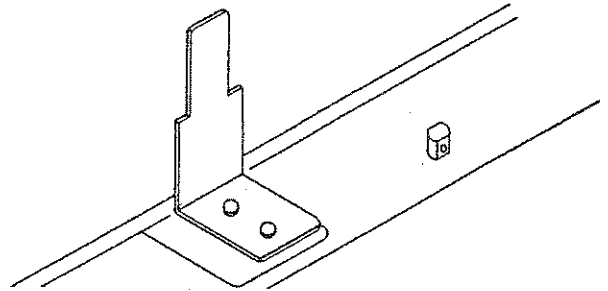


K33A

Feed Lever

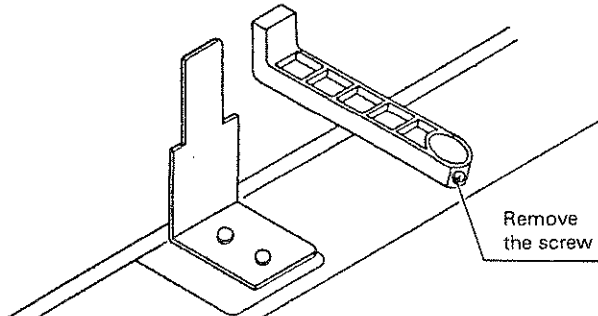
**3**

Remove the Feed Lever to replace with the one for KS650.



**2**

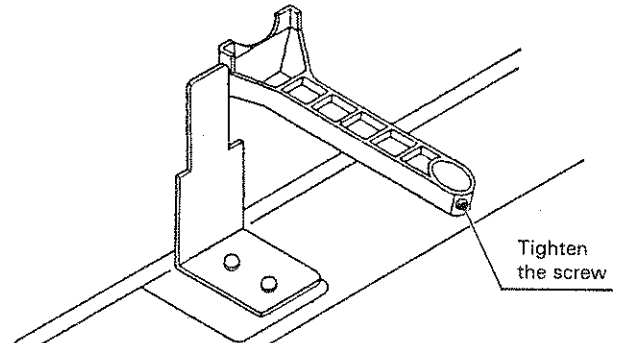
Turn over the Knit Tracer and remove the screw from the original Feed Lever attached.



Remove the screw

**4**

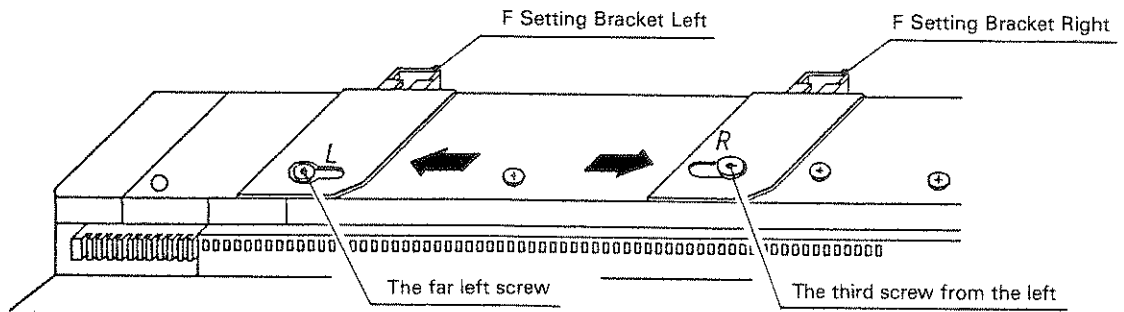
Attach the new Feed Lever.



Tighten the screw

**5**

Set each F Setting Bracket to KS650. Place them over the screw heads at the top of machine, and then slide each F Setting Bracket in direction of arrow till it is secured firmly.



F Setting Bracket Left

F Setting Bracket Right

The far left screw

The third screw from the left

**6**

Insert the Knit Tracer into the F Setting Bracket.

