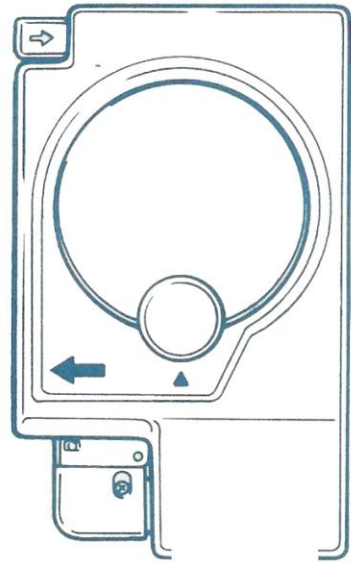


LINKER



K55



CONTENTS

Names of parts and their functions	2
Method (casting off stitches of last row)	3
Check points	9
If the Linker has jammed	13
Joining two fabrics	16
I. Stitches to stitches	17
II. Stitches to side edge	19
III. Side edge to side edge	20
How to make a garment using the Linker	22
How to use the guide plate	27
How to replace the linking needle	28
How a stitch is linked	32

The Linker K55 in combination with the Knitter, performs the following:

1. To cast off stitches on the last row
2. To join knitted pieces
 - a) Front shoulder to back shoulder
 - b) Neck band to neck edge
 - c) Border to front
 - d) Front and back side seams

NAMES OF PARTS AND THEIR FUNCTION

a. Slide Button

White button (0) at the left end, and Orange button (I) at the right end.

Push in the White Button (0) before setting the Linker on the needle bed.
Push in the Orange Button (I) to enable the Connection Gear to mesh into the butt of the needle bed.

b. Connection Gear

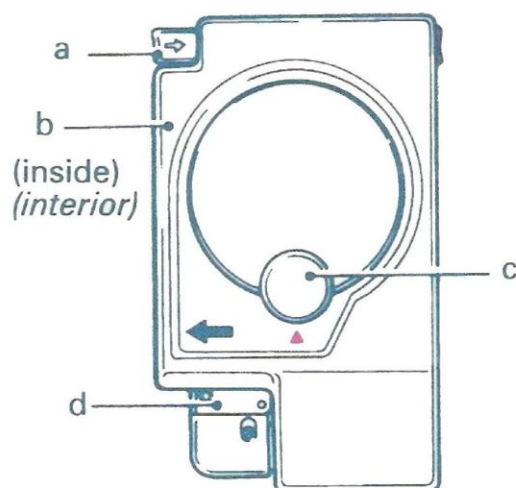
This gear meshes into the butt of the needle, and will advance the Linker as the Crank Handle is turned.

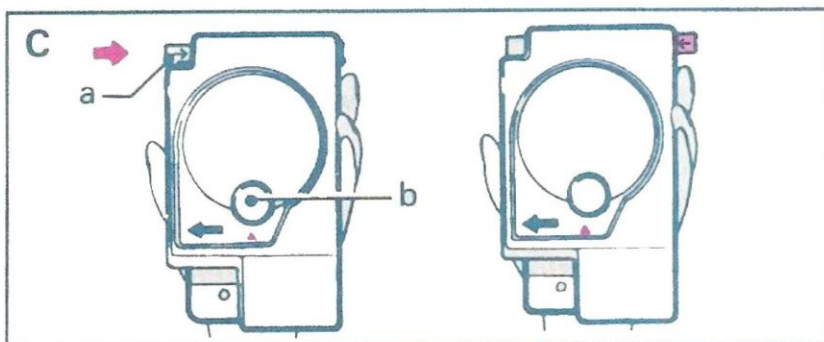
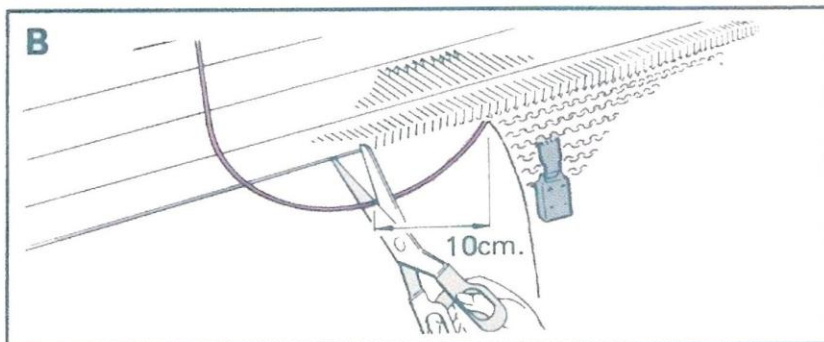
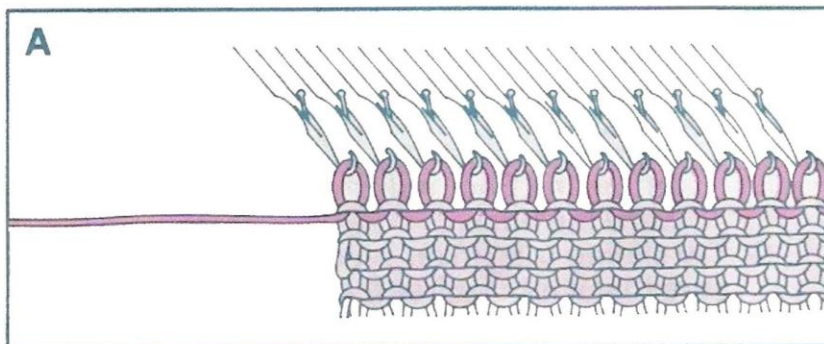
c. Crank Handle

One complete turn of the Crank Handle in the direction indicated by the arrow mark will link one stitch with the adjacent stitch.

d. Fabric Holder

The fabric must enter into the slot of the Fabric Holder for linking.





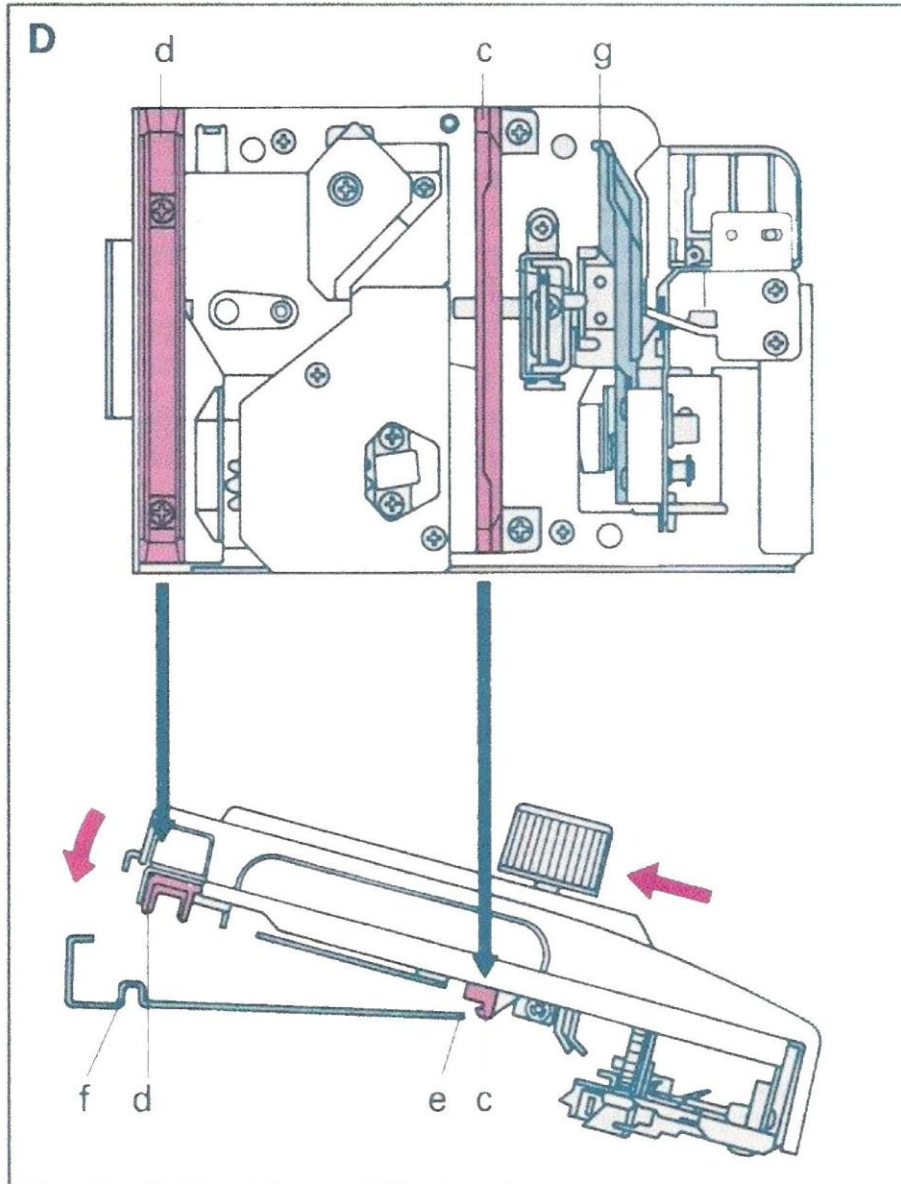
METHOD

(Casting off stitches on the last row)

- (1) Knit 1 row from right to left with Tension Dial 10, so stitches become easy to cast off. (Fig. A) (If thick yarn is used for the main knitting, knit the joining rows using a medium yarn.)
- (2) Cut the yarn leaving a length of approx. 10cm. from the edge of the fabric. (Fig. B)

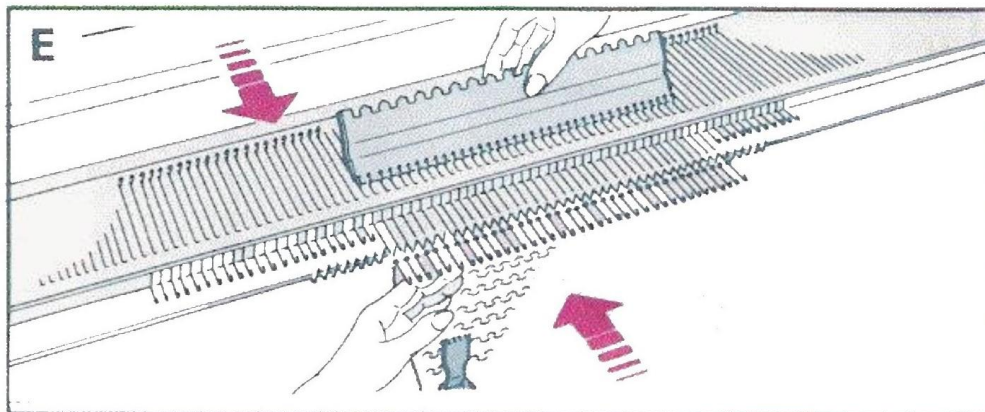
See "CHECK POINTS" (P. 9-12) when you fail to knit.

- (3) Setting the Linker on the needle bed.
 - ① Press in the white end (0) of the Slide Button "a", the Crank Handle "b" must be set at the "▲" mark. (Fig. C)

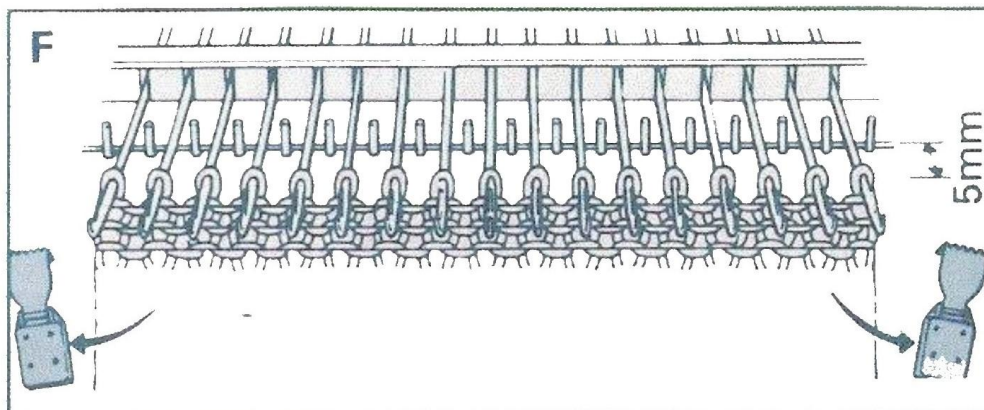


- ② Set the Linker at the right side of the fabric. (Fig. D)
 - * Engage the Slider "c" with the Front Rail "e".
 - * Place the Linker to fit the Carriage Guide "d" on the Back rail "f", while pushing it forward the back.
- ③ Try sliding the Linker on the needle bed to ensure that it moves freely and is set correctly.

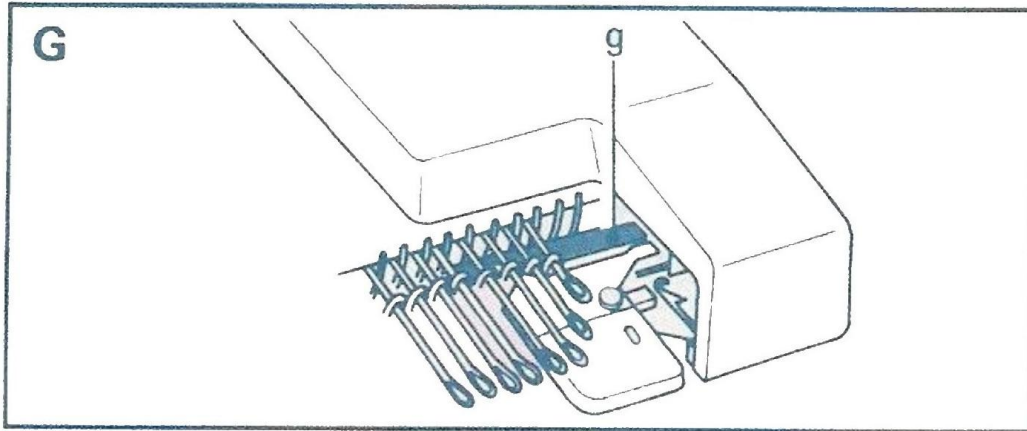
"▲" mark. (Fig. C)



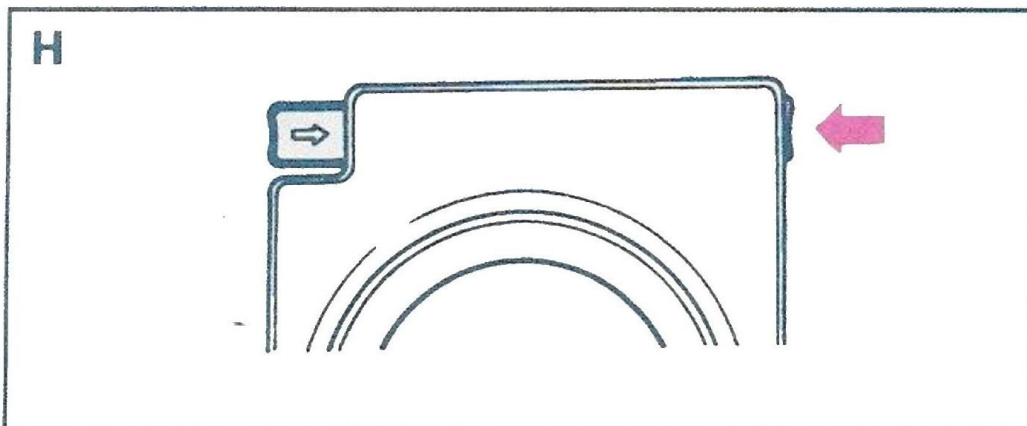
- (4) Push all the knitting needles to holding position using the Selector comb. (Fig. E)



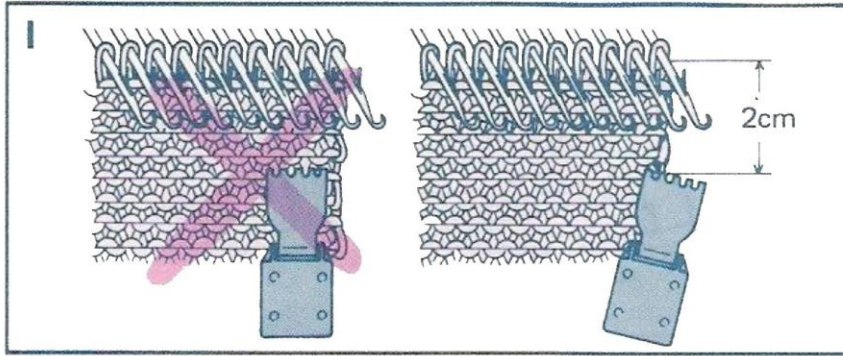
- (5) Ease the fabric approx. 5mm away from the Sinker hooks and remove comb and/or weights if these have been used for the main knitting. (Fig. F)



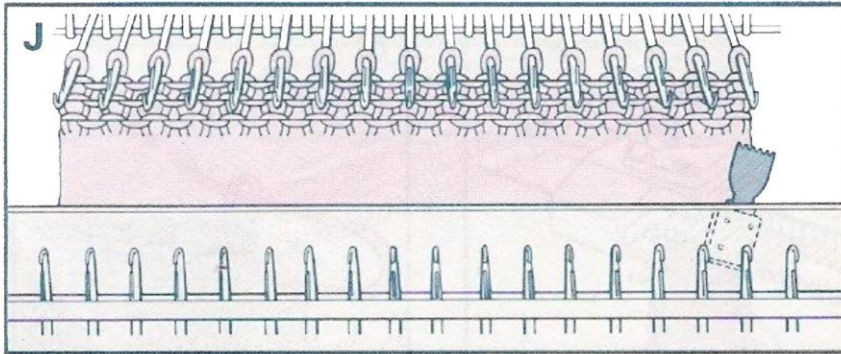
- (6) Move the Linker to the right edge of the fabric till the Arm "g" comes behind the first 4 stitches. (Fig. G)



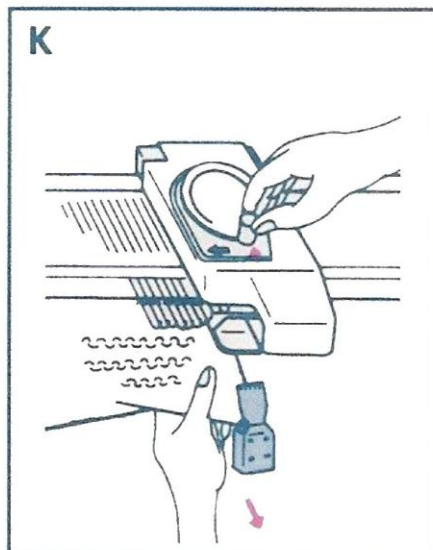
- (7) By pushing in the right end (I) of the Slide Button, the Connection Gear will mesh into the needles at A position. If the Gear does not mesh properly with the needle, move the Linker side ways and push the Slide Button again, otherwise it will cause incorrect linking. (Fig. H)



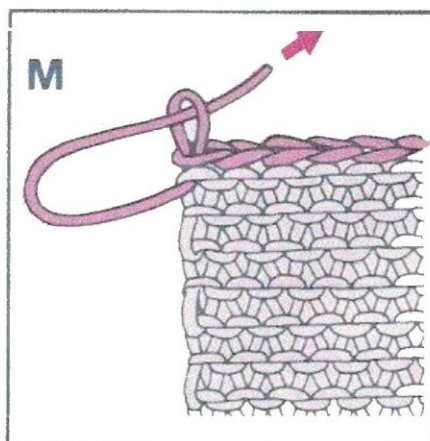
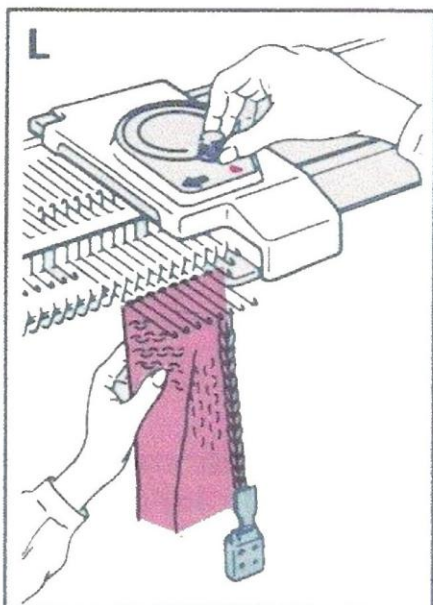
- (8) Hook the two end claws of the Weight on the two end stitches of the fabric, 2cm. below the needles. (Fig. I)



- * If the knitting has been done with the Ribber attached, let the fabric hang down between the knitter and the Ribber. (Fig. J)



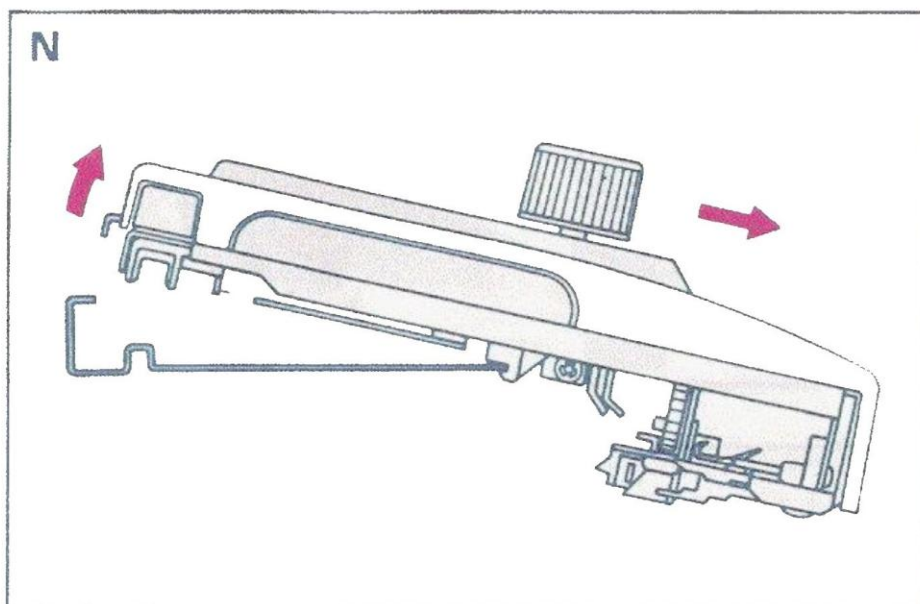
- (9) For the first 5-6 stitches, hold the knitting down lightly so that the end of the fabric is pulled slightly to the right. (Fig. K)



(10) Turn the Crank Handle very slowly watching the linking of the stitches. Refer to page 32, 33 for the correct linking procedure.

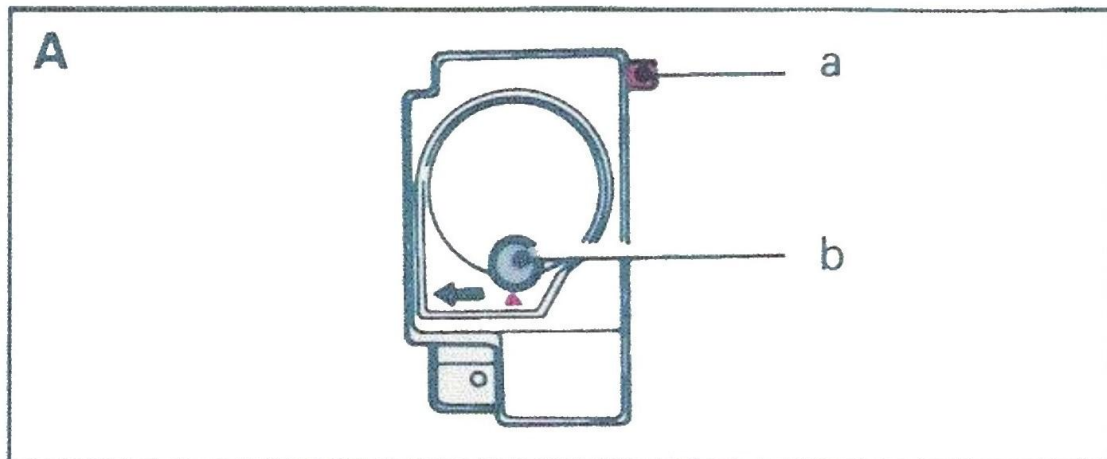
(11) For the last 5–6 stitches, hold the knitting to offset the weight of the fabric. (Fig. L)

Guide the yarn end through the end stitch and fasten off. (Fig. M)

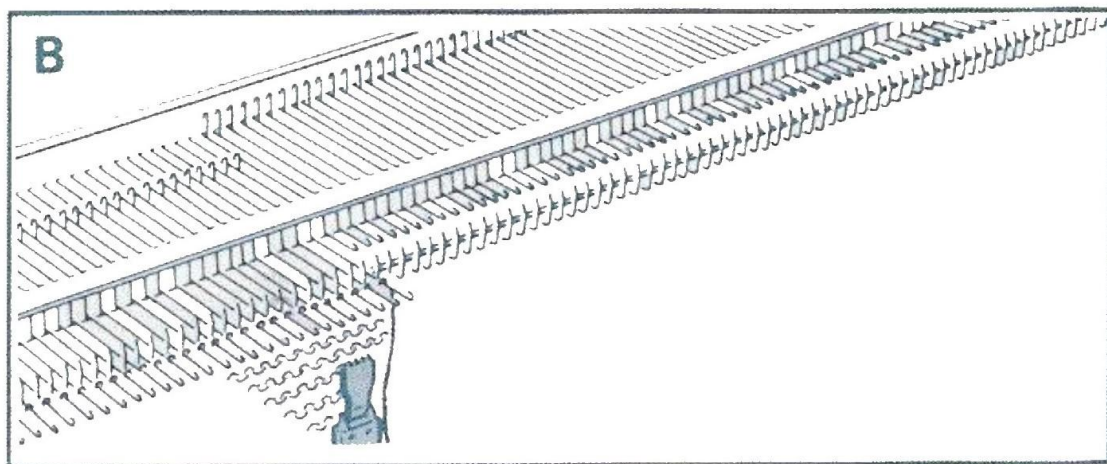


12) Push in the white end (0) of the Slide Button and remove the Linker from the needle bed. (Fig. N)

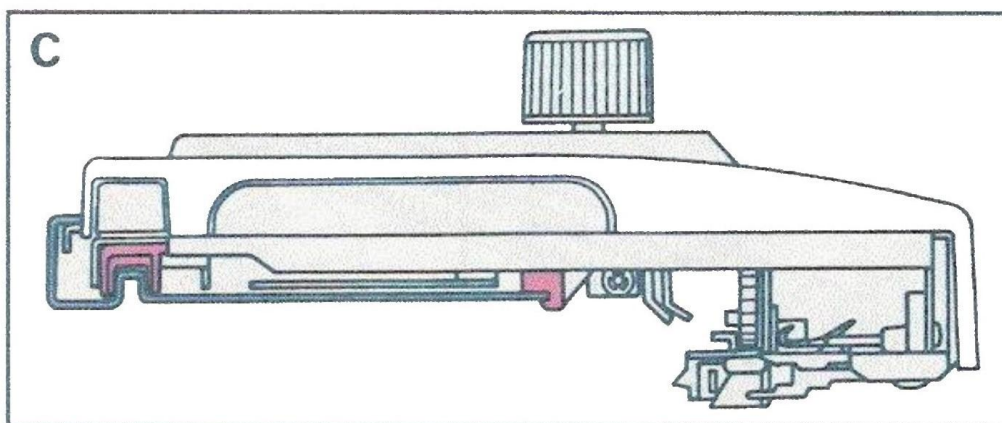
CHECK POINTS



- (1) If it is difficult to set the Linker, or to slide it on the needle bed.
- * Is the Orange end (I) of the Slide Button out? (Fig. A)
 - * Is the Crank Handle set at the "▲" mark? (Fig. A)

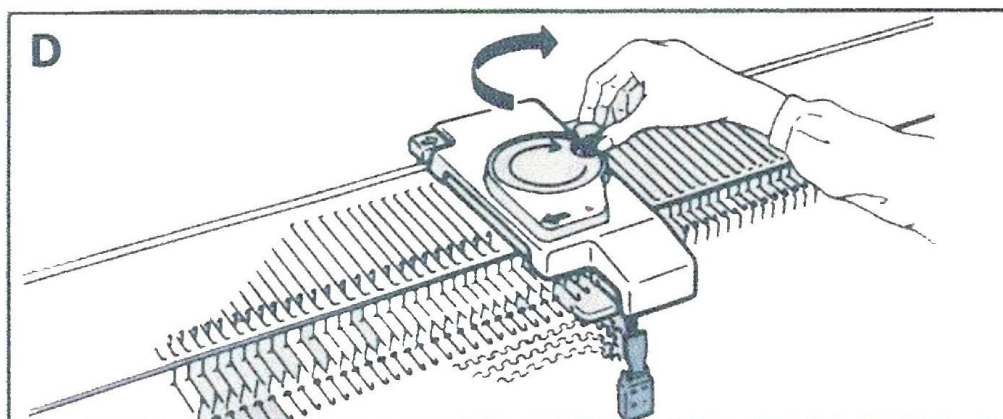


- * Are the non working needles correctly aligned in A position? (Fig. B)

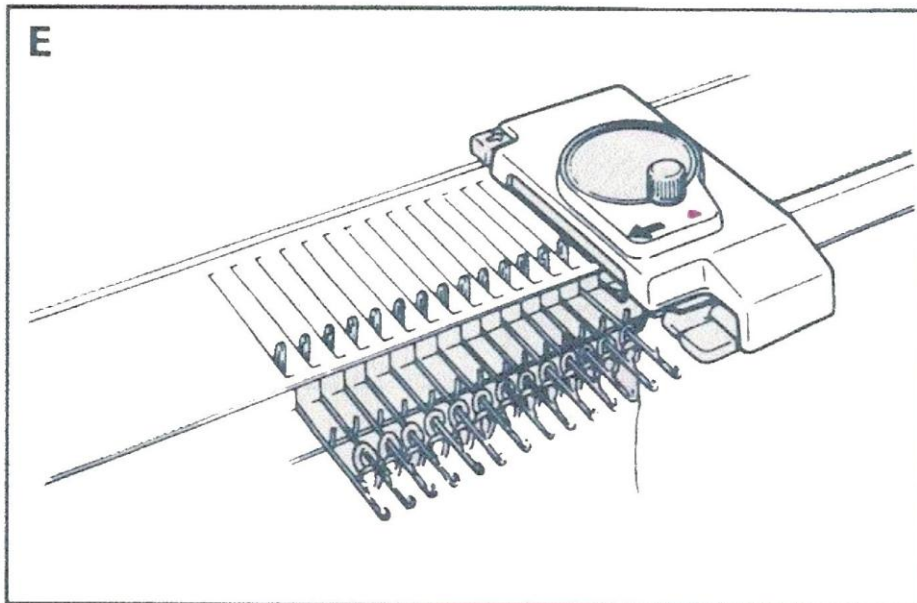


- * Did you set the Linker at the right side of the fabric? (Fig. C)

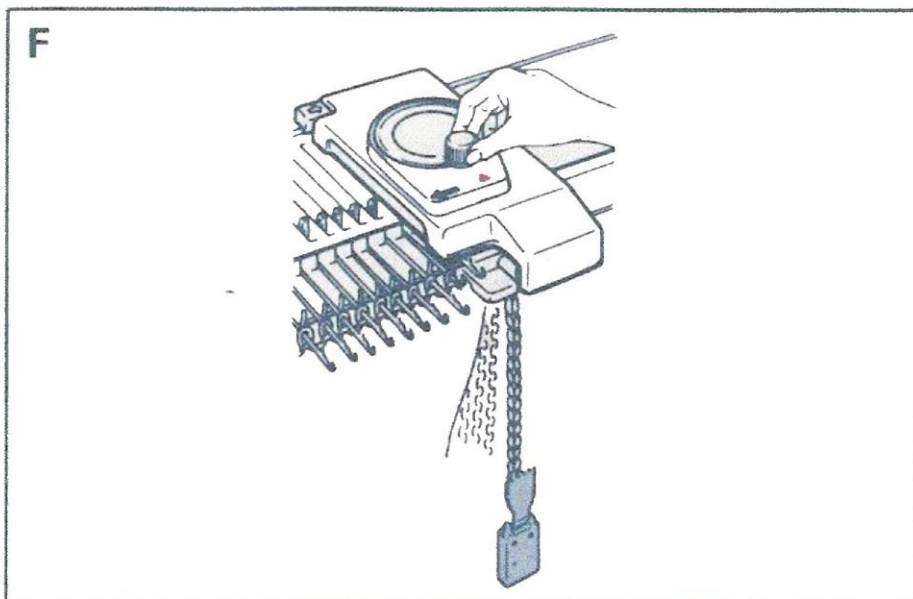
Try sliding the Linker after setting it on the needle bed.



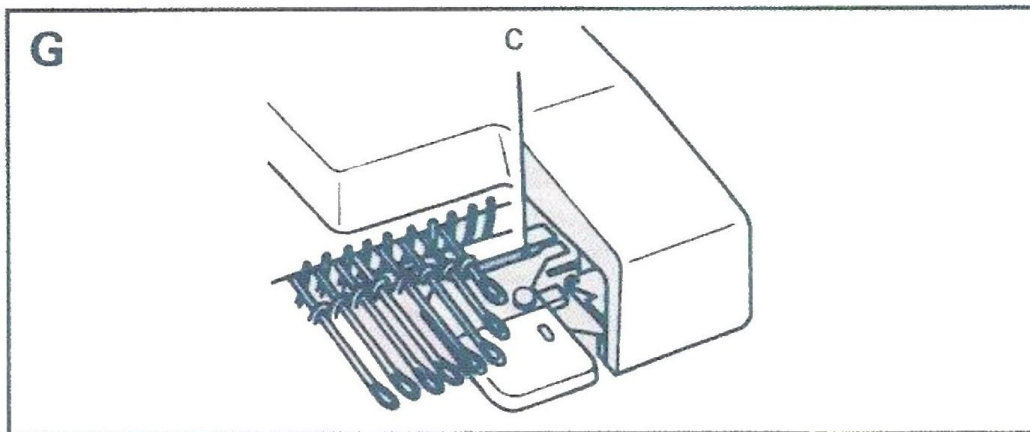
- (2) If the Crank Knob is hard to turn.....
- * Is the Crank Knob being turned in the correct direction? (Fig. D)



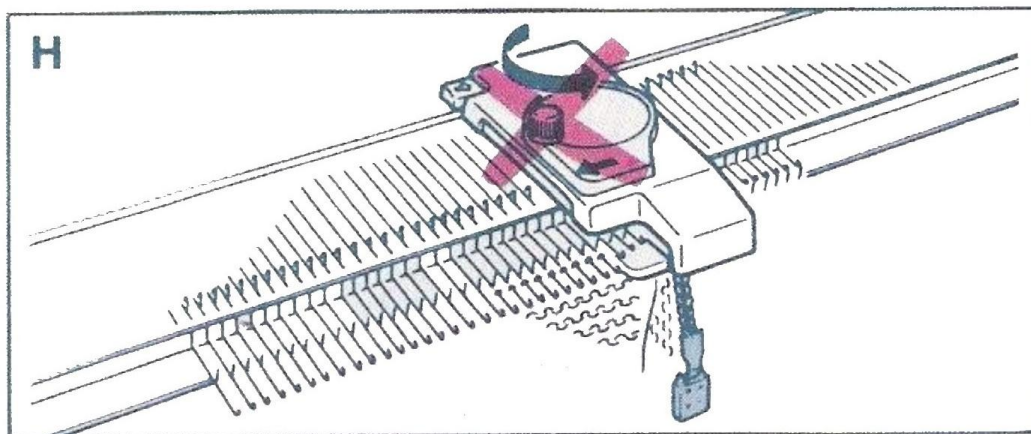
- * Are the needles aligned correctly in E position? (Fig. E)
- * Has the correct Tension Dial setting been used to knit the cast off or joining rows?



- (3) If the stitches drop or overlap.
- * Is the Weight correctly attached on the edge of the fabric? (Fig. F)
 - * Check and ensure that the weight is hanging free.

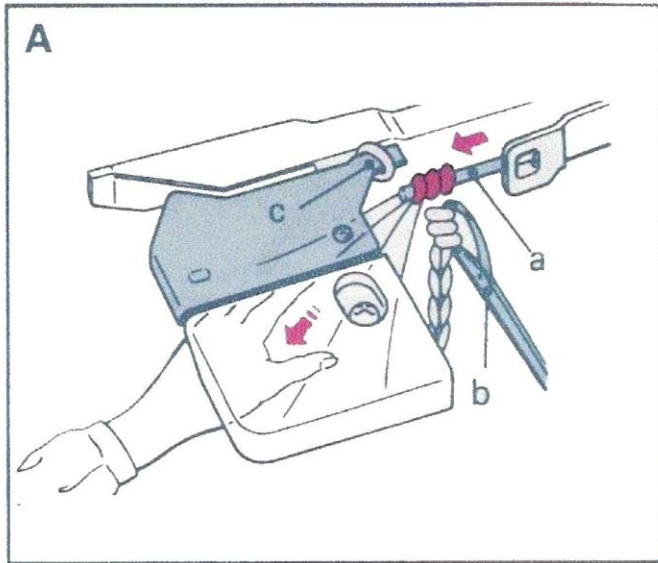


- * Check if the linking stitches are caught at the entrance "c" of the Linker. (Fig. G)
- * It is important to achieve a smooth even rhythm, pressing down slightly as the Crank Handle is turned.



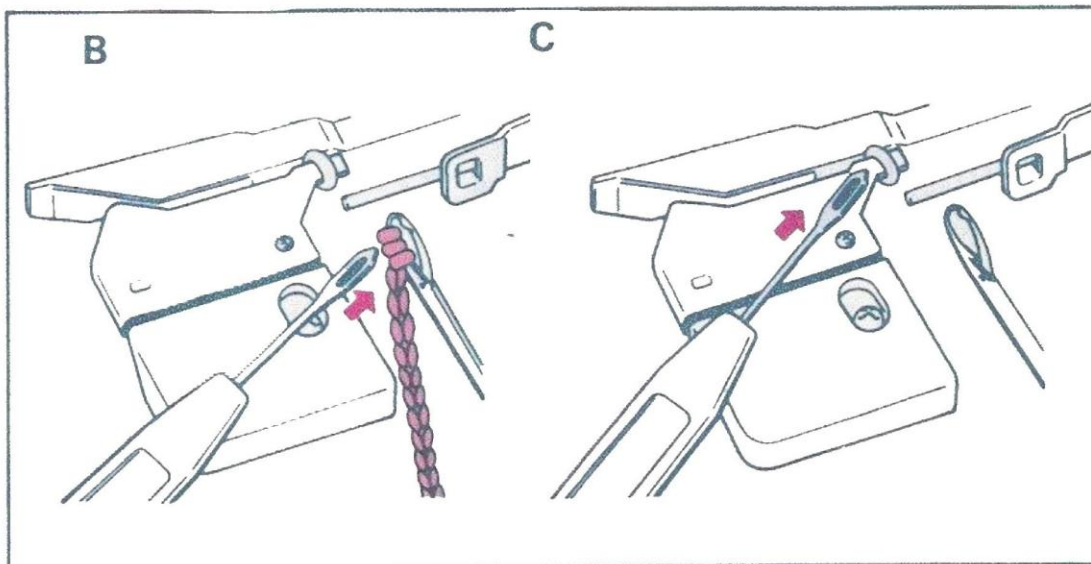
DO NOT TURN THE CRANK HANDLE IN THE ANTI CLOCKWISE DIRECTION. (Fig. H)

IF THE LINKER HAS JAMMED

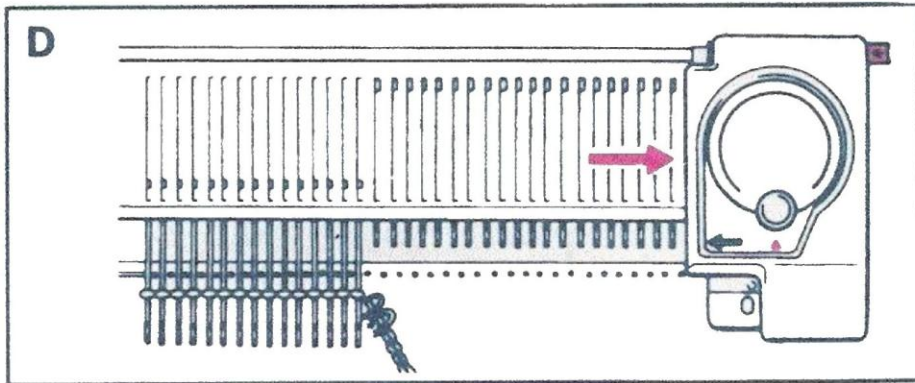


* Remove the Weight, then free the Linker in the following manner.

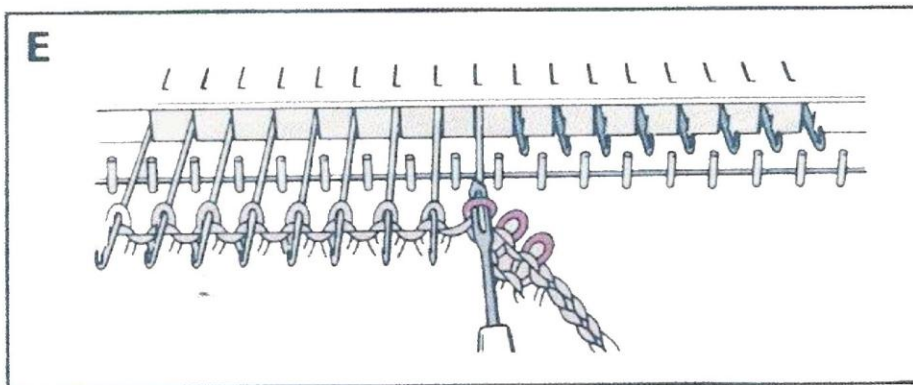
- (1) Carefully pulling the fabric to left, remove the built-up stitches from the Guide Pin "a" in the Linker. (Fig. A)
 - If it is difficult to remove the stitches, turn the Crank Handle in the forward direction toward the "▲" mark slowly, watching those stitches, while carefully pulling the fabric to the left.



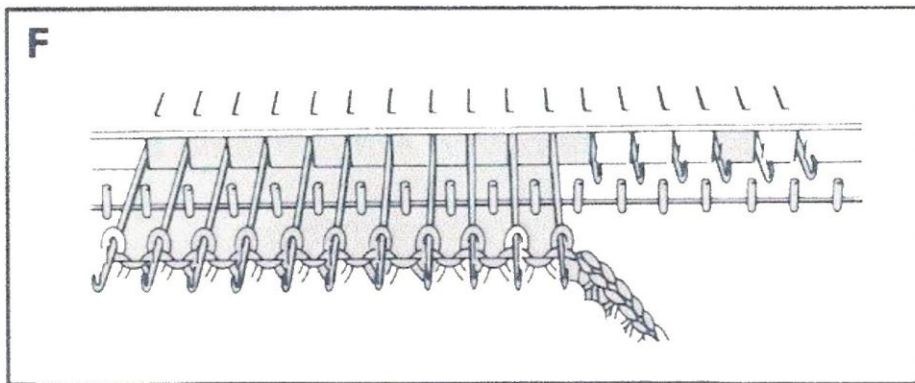
- (2) Remove the stitches from the Linking Needle "b". (Fig. B)
- (3) Remove the stitches from the Fabric Holder "c" carefully. (Fig. C)



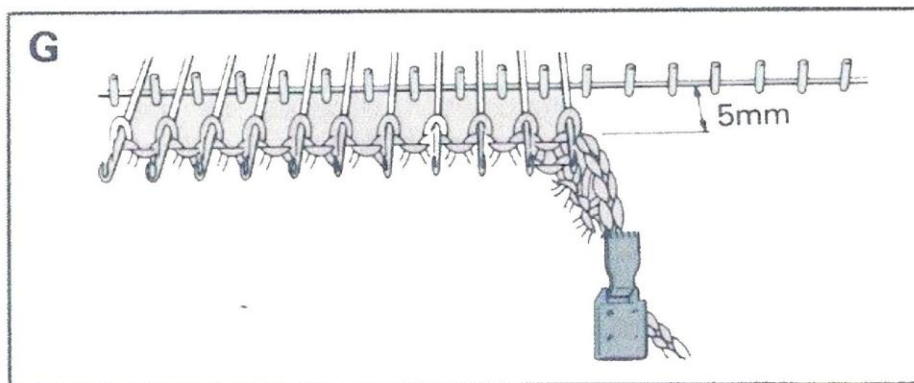
- (4) Reset the Crank Handle to the "▲" mark.
- (5) Push in the white end of the Slide Button, and slide it to the right side of the needle bed. (Fig. D)



- (6) Pick up the unraveled stitches on the top edge, and hook them back to the original needles. (Fig. E)




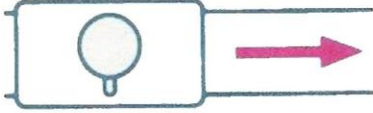
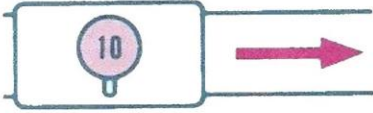
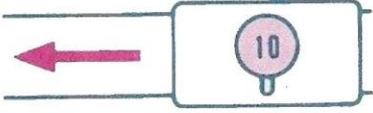

- (7) Align the needles holding stitches in E position, and the empty needles in A position. (Fig. F)



- (8) Ease the fabric approx. 5mm away from the Sinker hooks.
Hang the Weight on the linked edge about 5cm. below the Sinker hooks. (Fig. G)
- (9) Continue linking off the remaining stitches.

JOINING TWO FABRICS

When knitting the joining rows of two fabrics the carriage must be operated as indicated in the table below. The Pattern lever is at PLAIN.

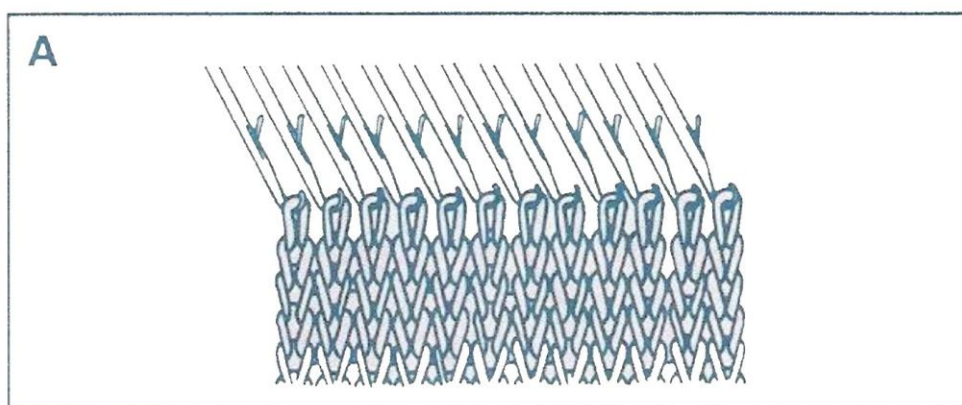
Joining Rows		FIRST ROW	
Type of yarn used in main knitting			
Thick yarn			
Medium yarn Thin yarn		 T.D. at garment tension	
		SECOND ROW	THIRD ROW
		 Medium or thin yarn	 Medium or thin yarn
			

(T.D. means Tension Dial)

- If the fabric is knitted with thick yarn, use medium or thin yarn to knit the joining rows of the two fabrics as indicated in the table.
- When using a knobby yarn such as boucle, knit final rows with a smooth yarn.

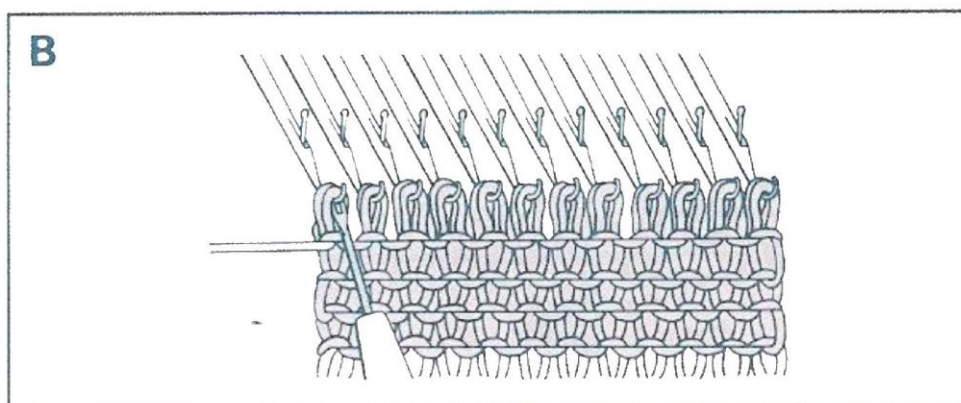
JOINING TWO FABRICS

When knitting the joining rows of two fabrics the carriage must be operated as indicated in the table below. The Pattern lever is at PLAIN.

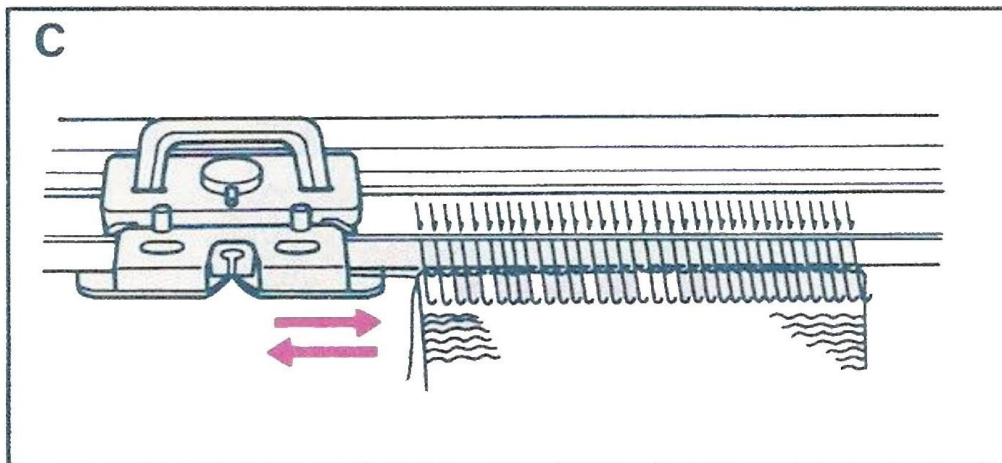


I. Stitches to Stitches

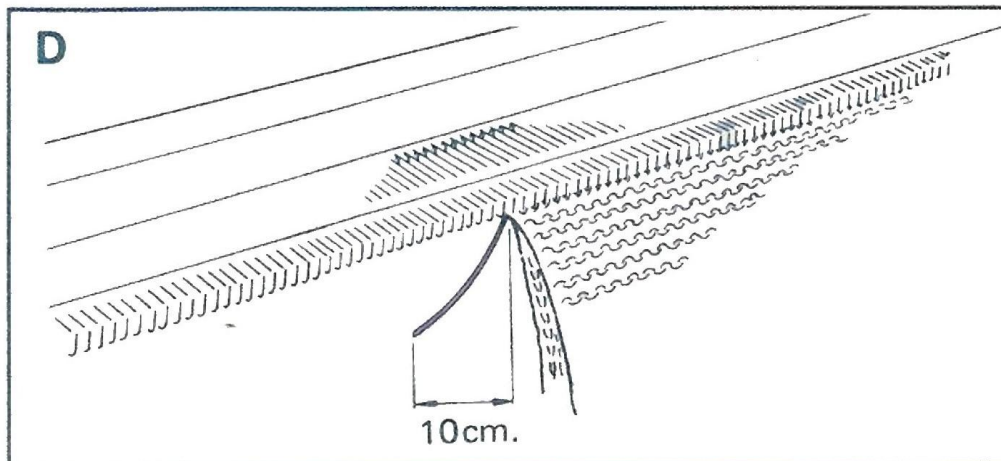
- (1) With the right side of the fabric facing pick up and replace the stitches in main yarn onto the empty needles. (Fig. A)



- (2) With the wrong side of the fabric facing pick up and replace the stitches in main yarn onto the corresponding needles. (Fig. B)
- (3) Push the needles to E position.

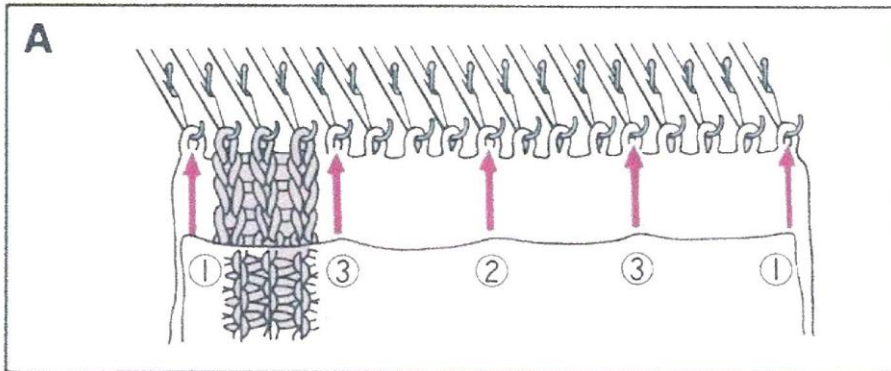


- (4) Referring to page 16, for Tension Dial setting, knit 2–3 rows finishing at left side. (Fig. C)



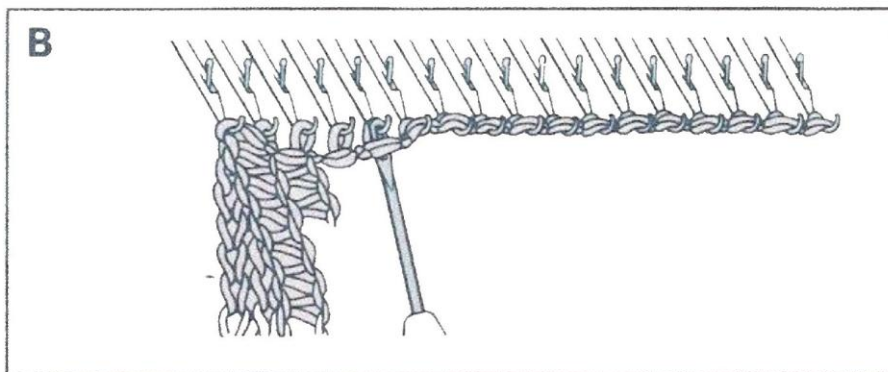
Cut off the yarn leaving a 10cm length. (Fig. D)

- (5) Referring to “METHOD” (3)–(12), link off the stitches.

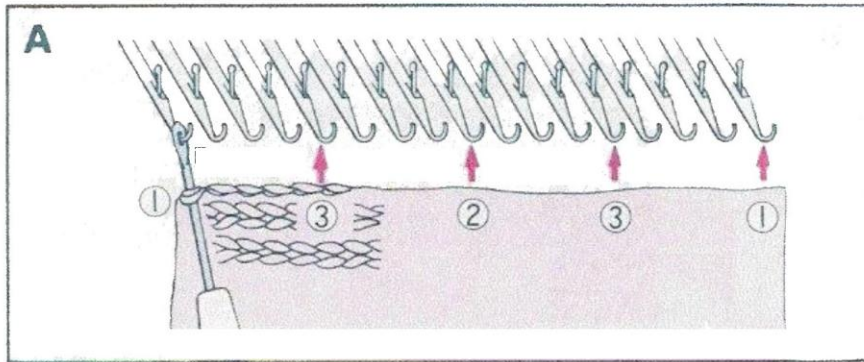


II. Stitches to Side Edge

- (1) With the right side of the fabric facing pick up and replace the stitches onto the needles. (Fig. A)

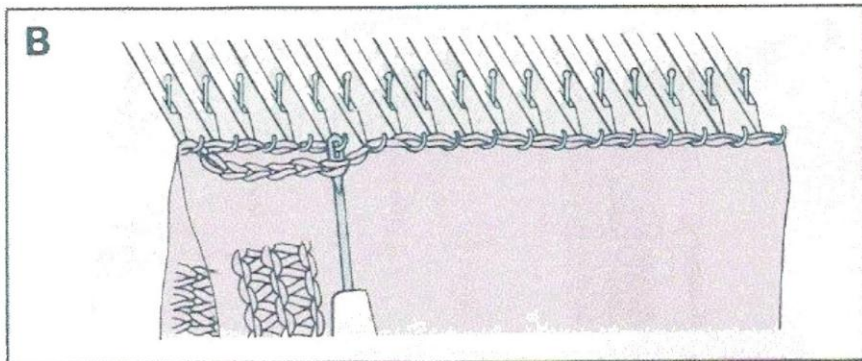


- (2) With the wrong side of the work facing pick up and replace the stitches of the side edge as indicated in Fig. A, then fill the remaining needles with stitches picked up evenly along the edge. (Fig. B)
- (3) Push the needles to E position.
- (4) Referring to page 16, for Tension Dial setting, knit 2–3 rows finishing at left side. Cut off the yarn leaving a 10cm length.
- (5) Referring to "METHOD" (3)–(12), link off the stitches.

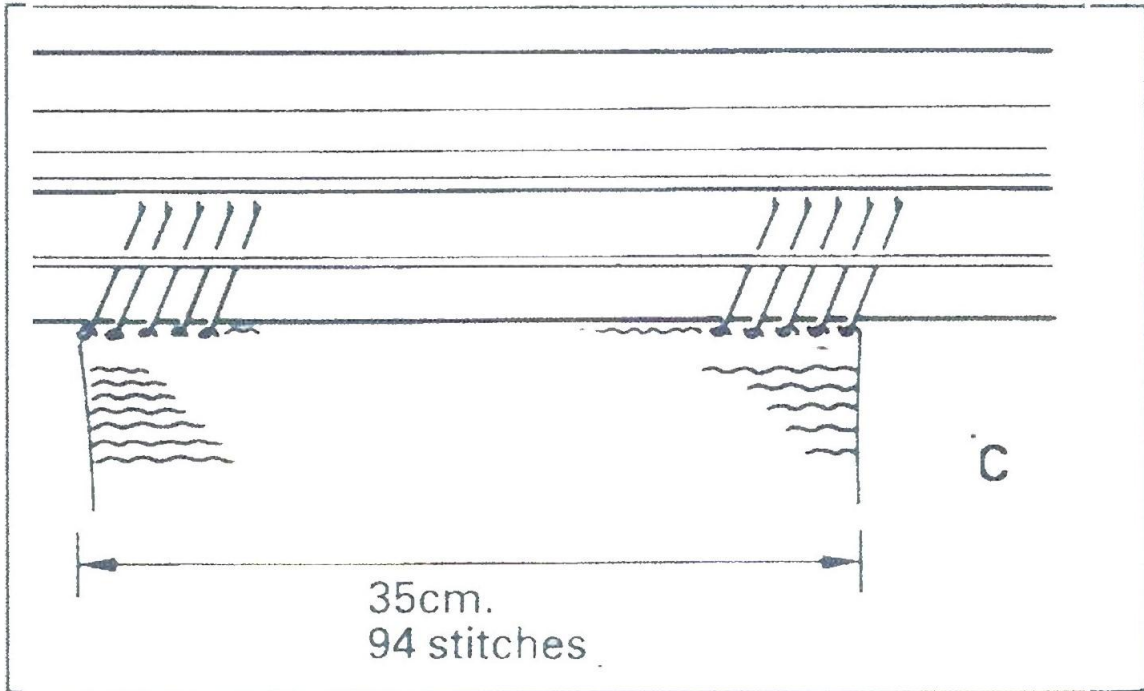


III. Side Edge to Side Edge

- (1) Following the rules on Page 19 and with the right side of the fabric facing pick up and replace the loops along the edge of the fabric evenly on the needles. (Fig. A)



- (2) With the wrong side of the fabric facing pick up and replace the same number of loops onto the corresponding needles. (Fig. B)
- (3) Push the needles to E position, and close their latches using the Selector Comb.
- (4) Referring to page 16, for Tension Dial Setting, knit 2-3 rows finishing at left side.
Cut off the yarn leaving a 10cm length.
- (5) Referring to "METHOD" (3)-(12), link off the stitches.

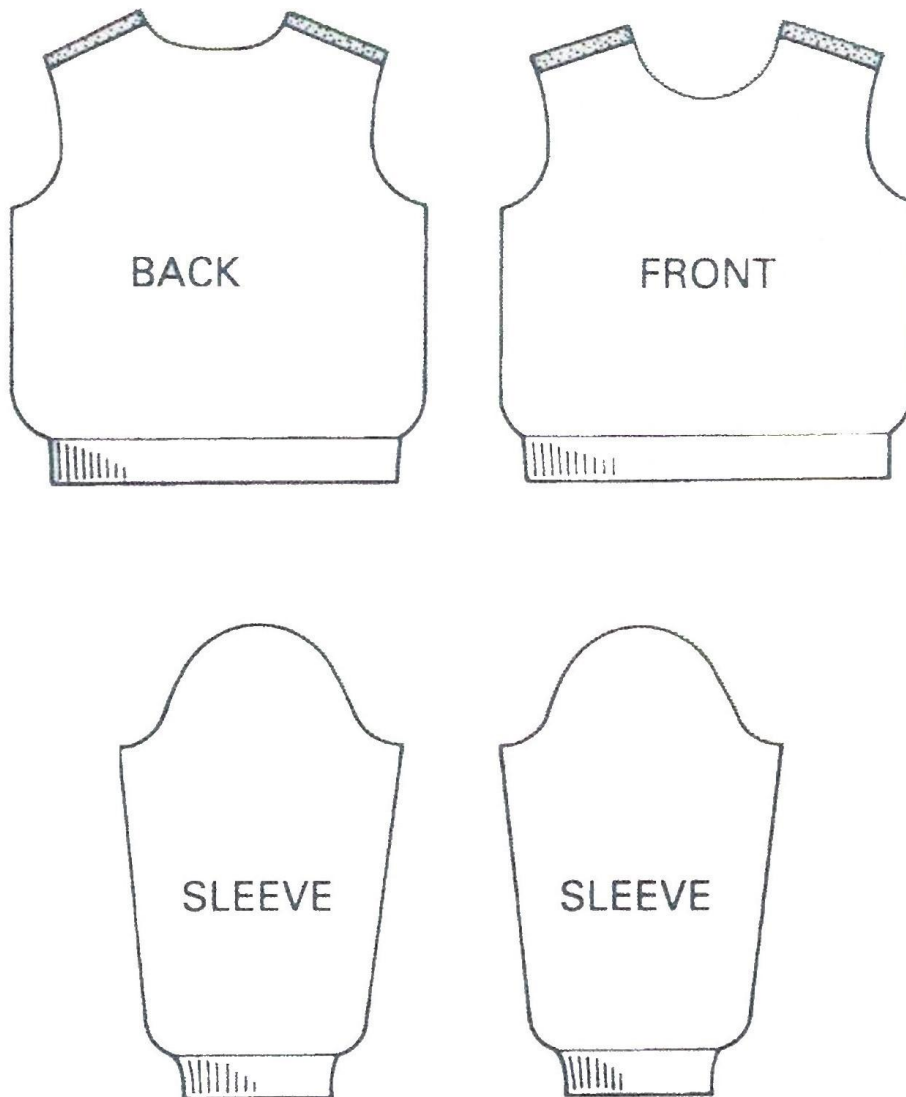


To ensure natural elasticity in the joined side edge, pick up the number of stitches as specified below: The recommended number of stitches to be picked up from the side edge is about 27 stitches per 10cm.

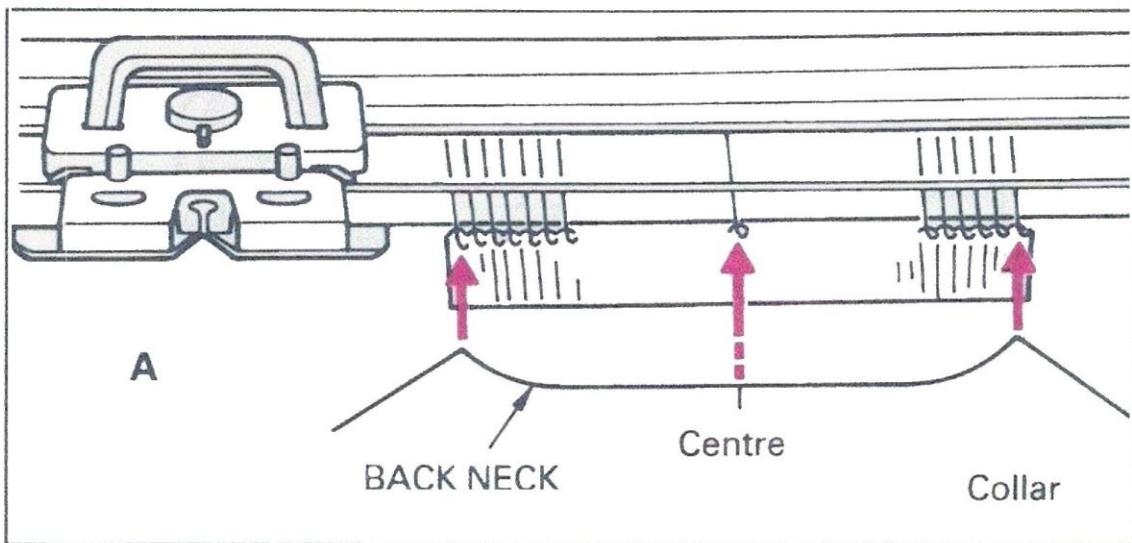
EXAMPLE

If garment measurement is 35cm, then
 $35\text{cm.} \times 2.7 \text{ stitches} = 94 \text{ stitches}$
 $2.7 = \text{stitches per 1cm. to be picked up.}$

**HOW TO MAKE A GARMENT USING THE
LINKER
(LADY'S PULLOVER)**



Press each knitted piece.

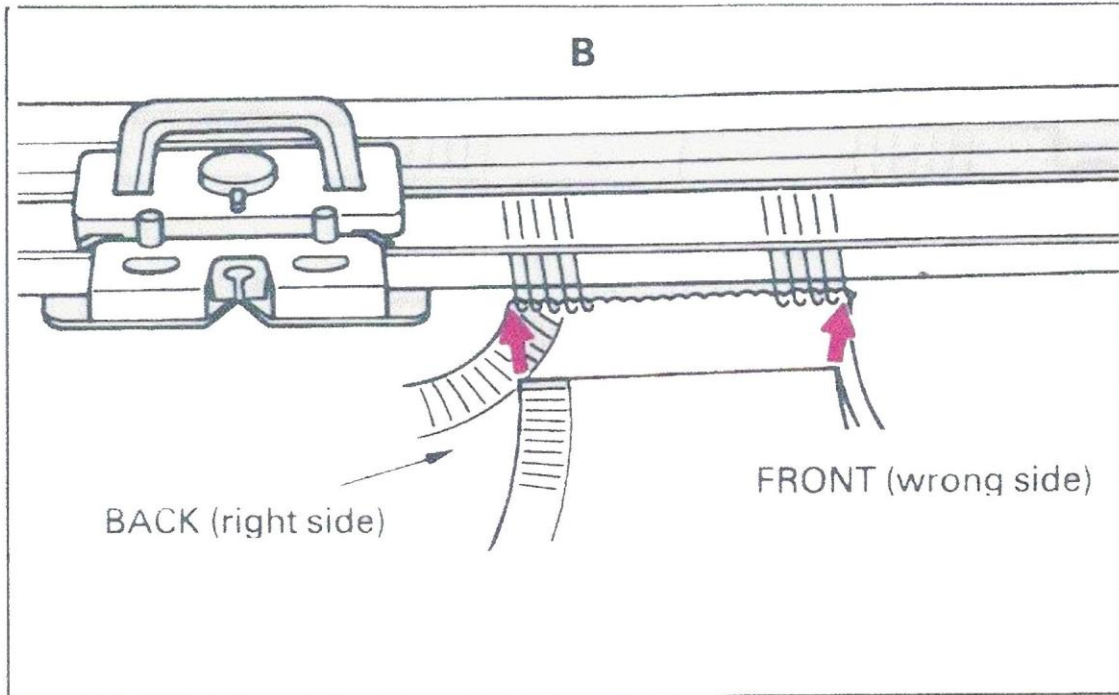


NECKBAND

* When you knit a neckband with main knitter, the Linker is not used as you pick up stitches from the garment.

With ribber,

1. After knitting neckband, transfer the stitches on ribber to main knitter. With the wrong side of garment (the BACK) facing, pick up the stitches along BACK NECK onto needles.
2. Knit two rows from left, link off the stitches.
3. Repeat the above method for the neckband on the front of the garment and link off.

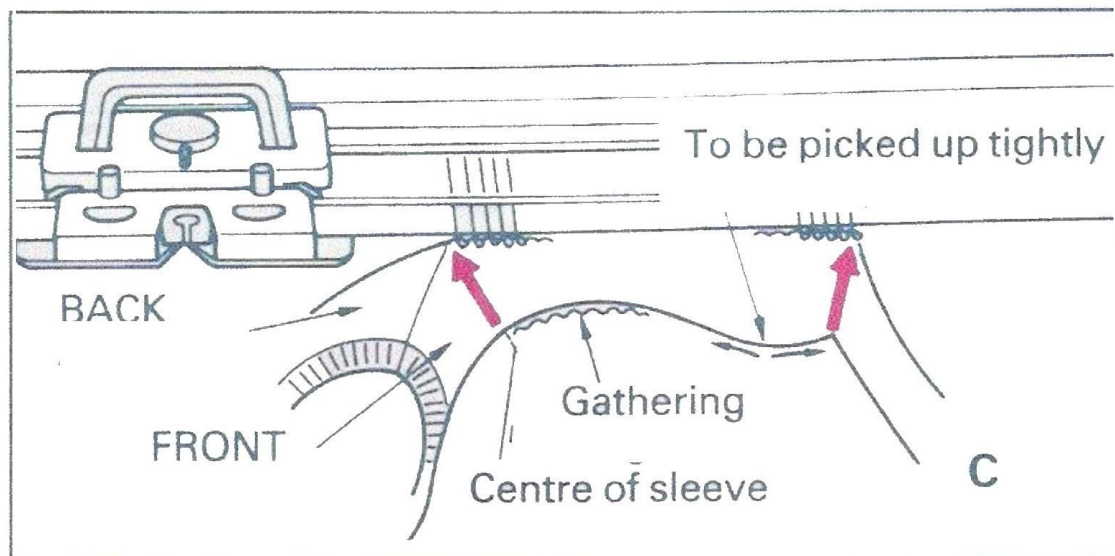


SHOULDER

1. Hold the BACK with the right side facing you, and pick up the stitches of the shoulder on to the needles.

Hold the FRONT with the wrong side facing you, and pick up the FRONT shoulder stitches and place on the same needles. (Fig. B)

2. Knit two rows from left.



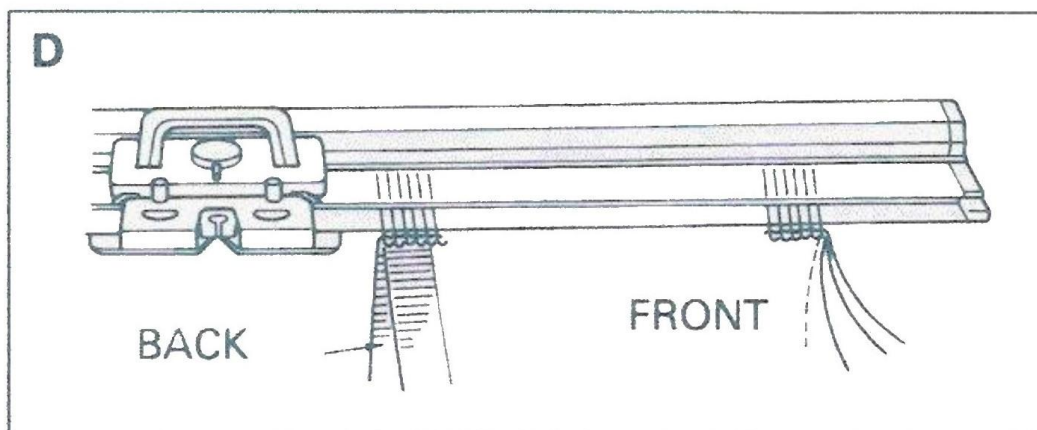
ARMHOLES

1. Seam front half and back half of the sleeve separately.
2. With the right side of the FRONT facing you, pick up stitches along the armhole. (Fig. C)

$$\left[\begin{array}{l} \text{Measurement for the} \\ \text{Armhole} \end{array} \times 2.7 \text{ stitches} \right]$$

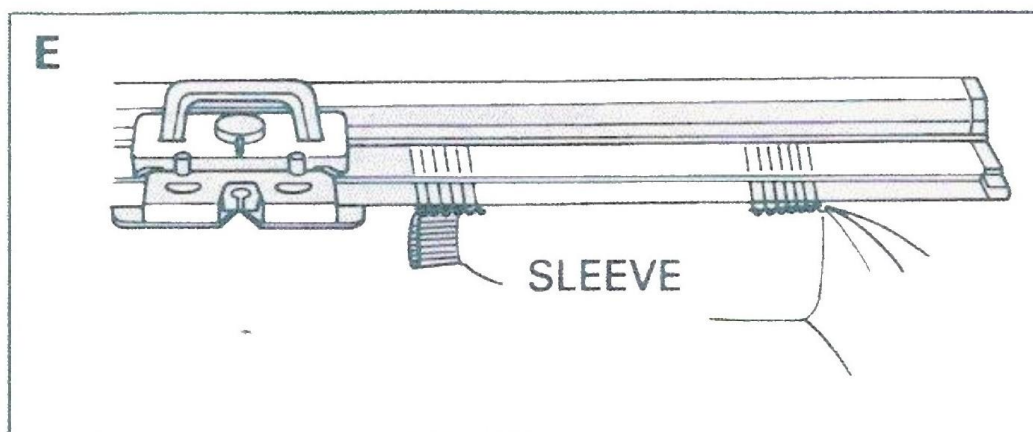
$$20.5\text{cm} \times 2.7 = 55 \text{ stitches}$$

3. With the wrong side facing you, pick up the stitches of a sleeve and place them onto the needles gathering around the centre of the sleeve. (Fig. C)
4. Knit two rows from left, and link off.
5. Do the same for the other half.



SIDES

1. With the right side of the BACK facing you, pick up the side stitches, and with the wrong side of the FRONT facing you, pick up the side stitches. (Fig. D)
2. Knit two rows from left, and link off.



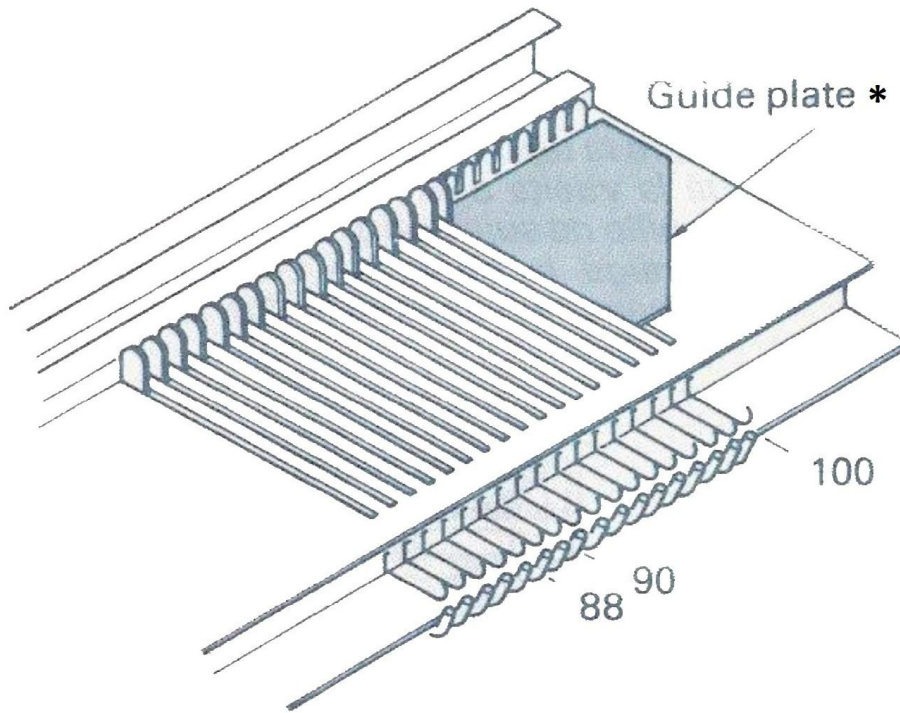
SLEEVES

1. Pick up one side of the sleeve with the right side facing you, and pick up the other side with the wrong side facing you and seam as for the side. (Fig. E)
2. Seam the other sleeve as well.

MAKING UP

Weave yarn ends into the stitches.
Give a final press to the seamed parts.

HOW TO USE THE GUIDE PLATE



- * Use the Guide plate only when linking over 88th stitch on the right.

Attach the Guide plate putting the left edge into the 100th groove on the needle bed.

100th needle should be placed at A pos.
Therefore it cannot be used for linking.

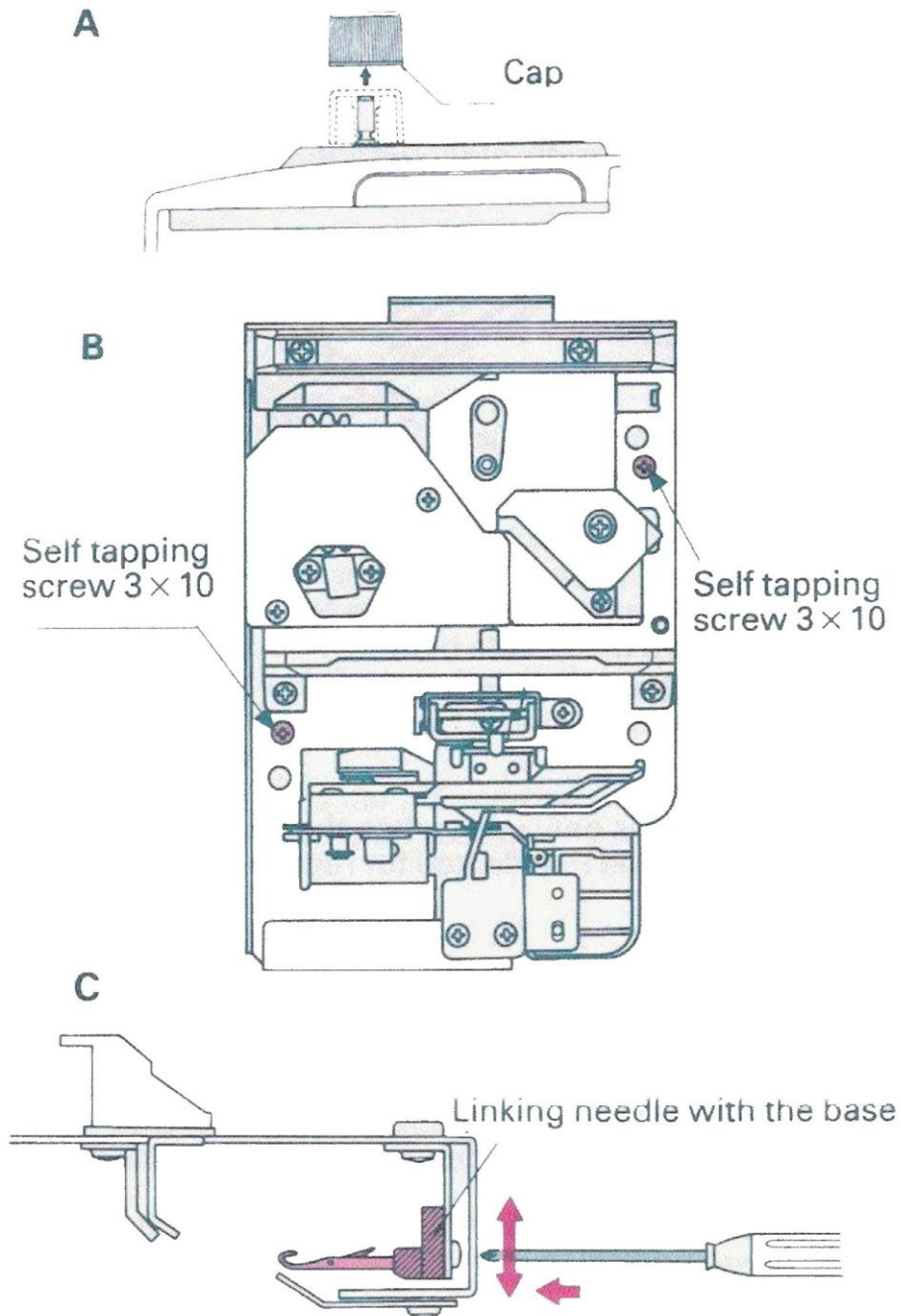
NOTE:

This Guide plate is only used when the Linker is used.
Remove it from the needle bed for regular knitting.

HOW TO REPLACE THE LINKING NEEDLE

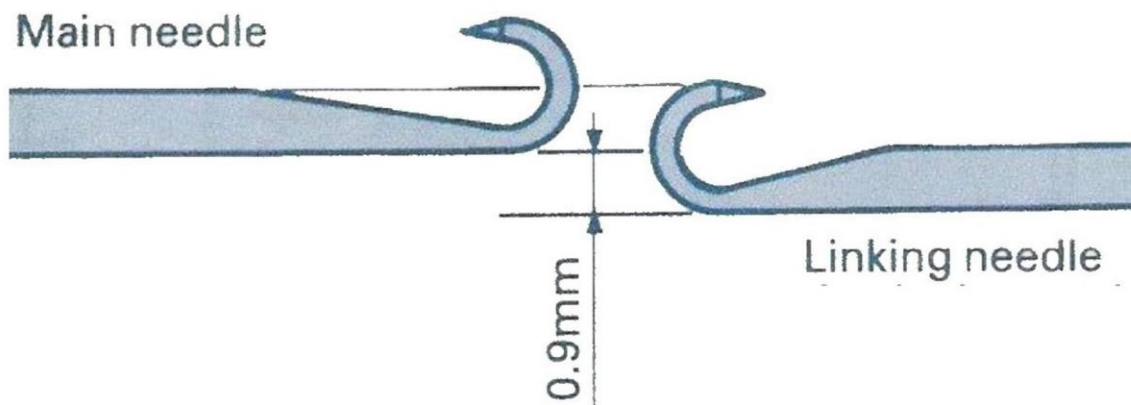
In case the linking needle is damaged, it can be replaced as follows;

1. Remove the cap of the Crank handle. (Fig. A)
2. Turn over the Linker to remove the self tapping screw 3×10 . (Fig. B)
3. Remove the linking needle with the base, using + screwdriver to replace it. (Fig. C)

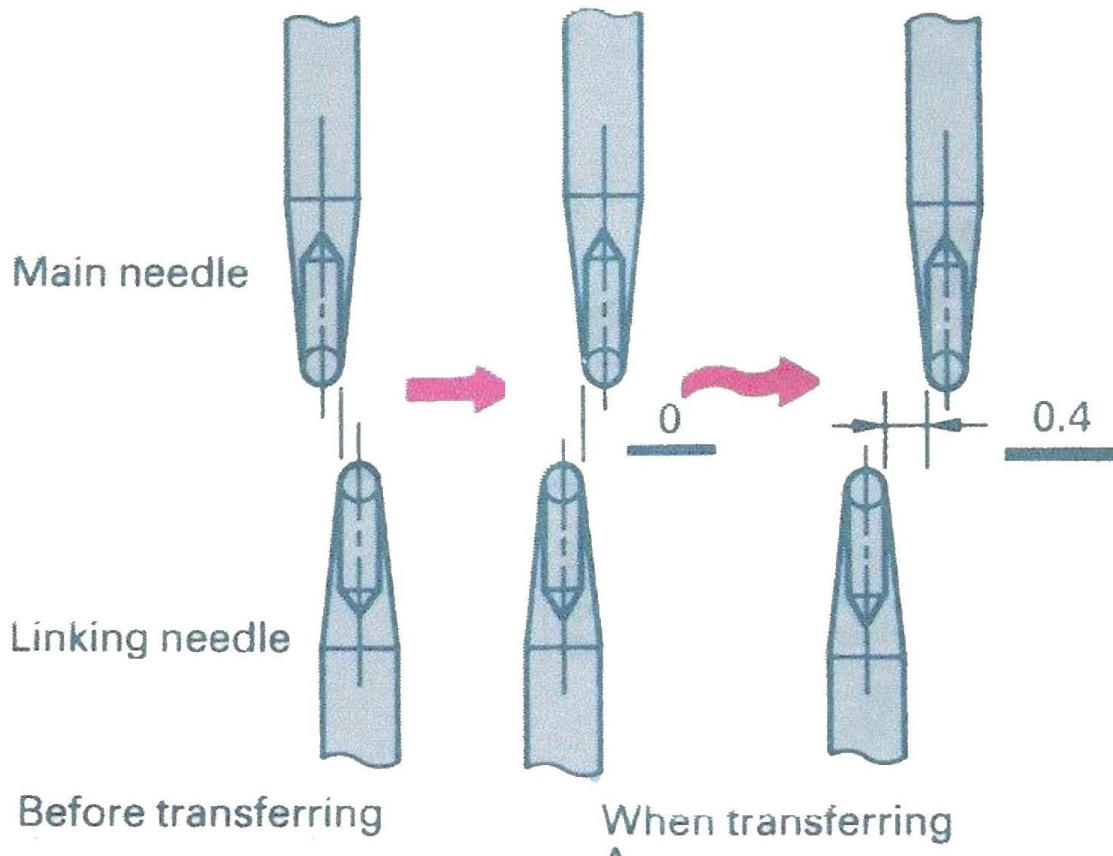


ADJUSTMENT

The position of the needles on the main knitter and the Linker in the vertical direction should be as in the diagram.

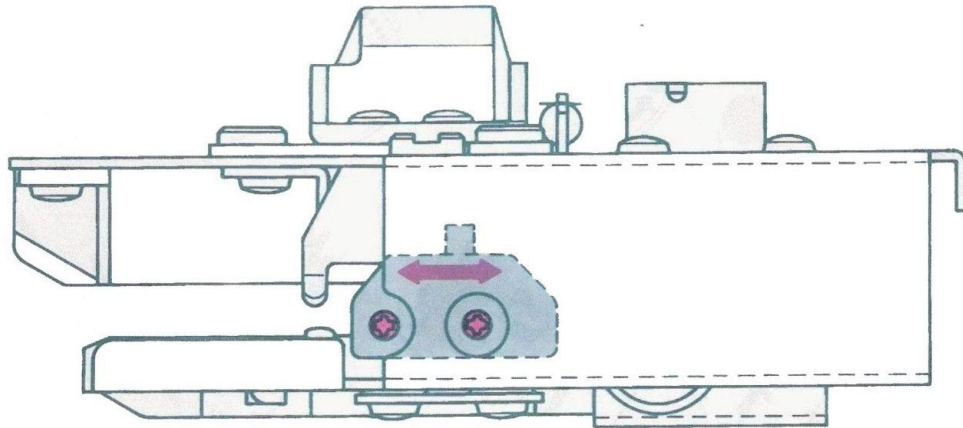


When the stitch is about to be transferred to the linking needle from the main needle, the clearance should be 0–0.4mm.



Adjust the clearance, moving the linking needle with the base, side ways.

After the sideways adjustment, check the dimension in the vertical direction.



ASSEMBLE

Assemble in the reverse procedure to that of removal.

HOW STITCH IS LINKED

